



# PARTS CATALOGUE

**WR250FR** (5UM1) U49

**WR250F** (5UM2) EUROPE

**WR250FR** (5UM4) CANADA, OCEANIA, SOUTH AFRICA

**YAMAHA**  
**GENUINE**  
Parts & Accessories

1B5UM-100E1

( 2B5UM-100E1 )

WR250FR/WR250F  
PARTS CATALOGUE  
©2002 by Yamaha Motor Co., Ltd.  
1st edition, December 2002  
All rights reserved.  
Any reprinting or unauthorized use  
without the written permission of  
Yamaha Motor Co., Ltd.  
is expressly prohibited.  
Printed in Japan.

**A3**

**WR250FR/WR250F**



**A4**

# FOREWORD

This Parts Catalogue is related to the parts for the model(s) on the cover page. When you are ordering replacement parts, please refer to this Parts Catalogue and quote both part numbers and part names correctly.

1. Modifications or additions which have been made after the issue of the Parts Catalogue will be announced in the Yamaha Parts News.

It is advisable that you make the necessary corrections to the Parts Catalogue according to the Yamaha Parts News.

2. Abbreviations

The following abbreviations are used in this Parts Catalogue.

“UR” Use specified parts number.

“UN” Use as many as needed.

“AP” Alternate Parts

“LM” Locally Made (Parts need to be ordered locally)

“F#” Frame No. (Applicable machine No.)

“O/S” Over Size

3. The number of components for assembly

- Parts, which are to be supplied in an assembly, are listed with a dot (.) in front of the part name as shown below.
- The numeral appearing to the right of each component part indicates the quantity of parts for each assembly unit.

PART NO.	DESCRIPTION	Q'TY	REMARKS
2F5-83310-60	FRONT FLASHER LIGHT ASSY	2	
115-83311-60	.BULB (6V-18W)	1	

4. Applicable colours of graphics are represented in the “REMARKS” as shown below.

PART NO.	DESCRIPTION	Q'TY	REMARKS
2N4-24110-00-X5	FUEL TANK COMP.	2	MXR
3J1-24240-10	.GRAPHIC, FUEL TANK	1	FOR MXR

5. Note that the illustrations for reference in finding parts numbers are not to be used for assembling. When assembling, please use the applicable service manual.

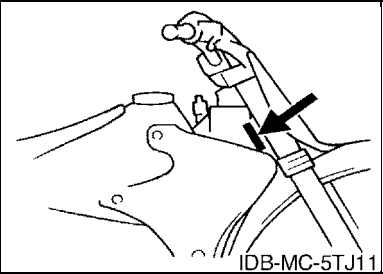
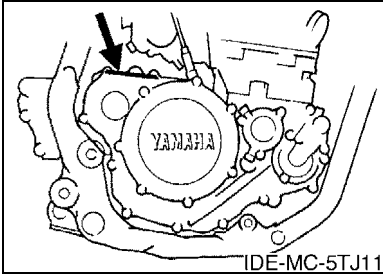
6. The asterisk (\*) before a reference number indicates modified items after the first edition.

# FOREWORD

7. Applicable Serial No.

Engine Serial No.

Frame Serial No.



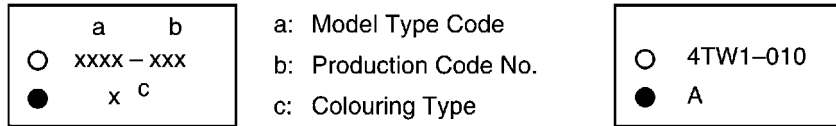
8. Applicable Colour Code

Abbreviation	Colour Name	Colour Code

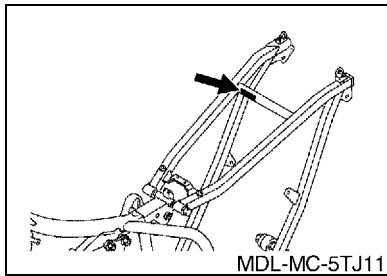
# MODEL LABEL

(1) A label called "Model Label" is affixed in the location as indicated in (3) below. When using this parts catalogue, please be sure to cross-reference the "model code – production code No." in the catalogue with the "model code – production code No." indicated on the Model Label affixed onto the product concerned.

(2) "Model Label" Indication



(3) Model Label Affixing Location



(4) Colouring Information

Model Code	Colouring Type Code	Colour Code	Colour Name	Abbreviation
5UM1	A	0583	DEEP PURPLISH BLUE SOLID E	DPBSE
5UM2	A	0583	DEEP PURPLISH BLUE SOLID E	DPBSE
5UM4	A	0583	DEEP PURPLISH BLUE SOLID E	DPBSE

(5) Model Code – Production Code Number of Model Listed in This Parts Catalogue

Model Code	Production Code No.	Country (destination)	Model Code	Production Code No.	Country (destination)
5UM1	010	U49			
	010	FRANCE			
5UM2	020	BELGIUM			
	030	GERMANY			
	040	SPAIN			
	050	FINLAND			
		IRELAND			
	060	UNITED KINGDOM			
	070	GREECE			
	080	ITALY			
	090	PORTUGAL			
	100	SWEDEN			
5UM4	010	AUSTRALIA			
	020	CANADA			
	030	NEW ZEALAND			
	040	SOUTH AFRICA			

# CONTENTS

## ENGINE

CYLINDER .....	B2
CRANKSHAFT. PISTON .....	B4
VALVE .....	B5
CAMSHAFT. CHAIN .....	B7
WATER PUMP .....	B8
RADIATOR. HOSE .....	B9
OIL PUMP .....	B10
OIL CLEANER .....	B11
INTAKE .....	B12
CARBURETOR .....	B14
EXHAUST .....	C5
CRANKCASE .....	C6
CRANKCASE COVER 1 .....	C7
STARTER .....	C9
STARTER CLUTCH .....	C10
CLUTCH .....	C11
TRANSMISSION .....	C13
SHIFT CAM. FORK .....	C15
SHIFT SHAFT .....	D2

## CHASSIS

FRAME .....	D3
FENDER .....	D5
SIDE COVER .....	D6
REAR ARM .....	D7
REAR SUSPENSION .....	D9
STEERING .....	D11
FRONT FORK .....	D12
FUEL TANK .....	D15
SEAT .....	E3
FRONT WHEEL .....	E4
FRONT BRAKE CALIPER .....	E5
REAR WHEEL .....	E6
REAR BRAKE CALIPER .....	E8
STEERING HANDLE. CABLE .....	E9
FRONT MASTER CYLINDER .....	E10
STAND. FOOTREST .....	E11
REAR MASTER CYLINDER .....	E12
GENERATOR .....	E13
STARTING MOTOR .....	E14
METER .....	E15

HEADLIGHT .....	F2
TAILLIGHT .....	F3
HANDLE SWITCH. LEVER .....	F4
ELECTRICAL 1 .....	F5
ALTERNATE (CHASSIS) .....	F7
ALTERNATE .....	F9

## INDEX

NUMERICAL INDEX .....	M1
-----------------------	----

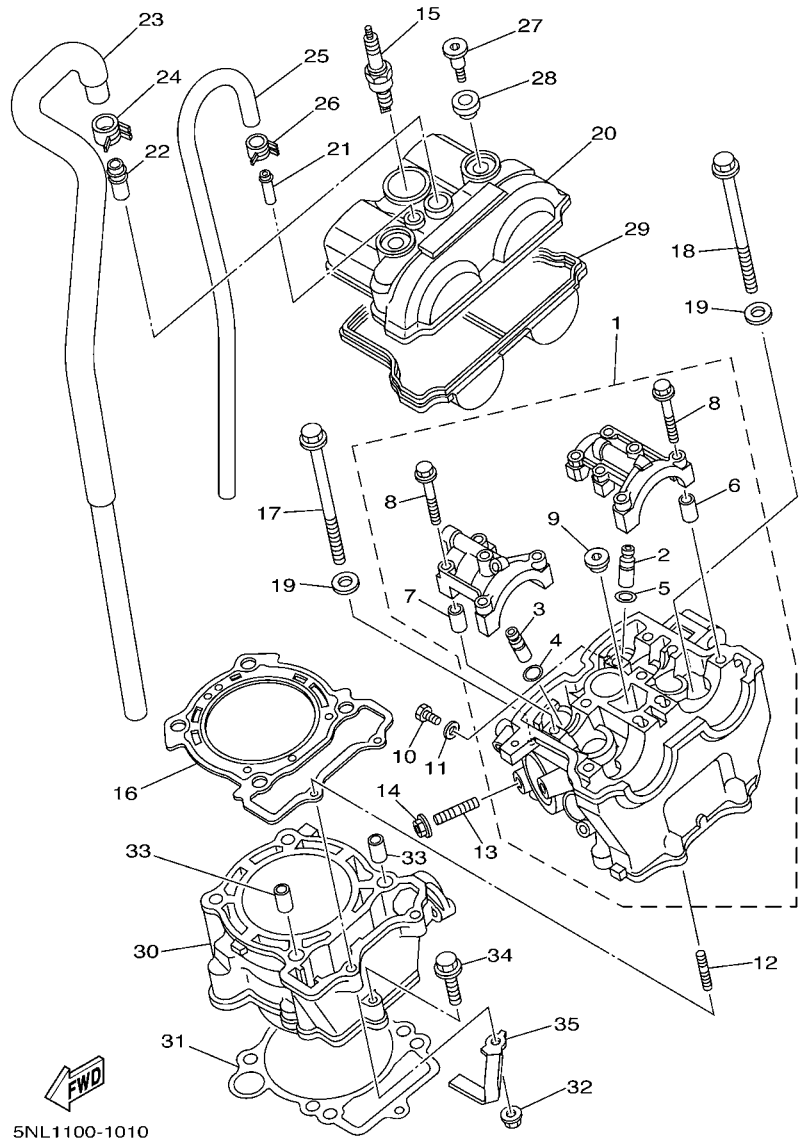


FIG. 1 CYLINDER

REF. NO.	PART NO.	DESCRIPTION	SUM1	SUM2	SUM4	REMARKS
1	5NL-11102-11	CYLINDER HEAD ASSY	1	1	1	
2	5NL-11133-10	.GUIDE, INTAKE VALVE	3	3	3	
3	5NL-11134-10	.GUIDE, EXHAUST VALVE	2	2	2	
4	93440-10153	.CIRCLIP	2	2	2	
5	93440-07149	.CIRCLIP	3	3	3	
6	91808-16023	.PIN, DOWEL	2	2	2	
7	91808-16023	.PIN, DOWEL	2	2	2	
8	90105-06027	.BOLT, FLANGE	10	10	10	
9	90340-12112	.PLUG, STRAIGHT SCREW	1	1	1	
10	95027-06010	BOLT, FLANGE	1	1	1	
11	90430-06014	GASKET	1	1	1	
12	90116-06541	BOLT, STUD	2	2	2	
13	95617-08620	BOLT, STUD	1	1	1	
14	95707-08500	NUT, FLANGE	1	1	1	
15	94701-00411	PLUG, SPARK (NGK R CR8E)	1	1	1	STD
	94701-00410	PLUG, SPARK (NGK R CR9E)	1	1	1	AP
16	5NL-11181-00	GASKET, CYLINDER HEAD 1	1	1	1	
17	90105-09555	BOLT, FLANGE	2	2	2	
18	90105-09002	BOLT, FLANGE	2	2	2	
19	90201-096J9	WASHER, PLATE	4	4	4	
20	5NL-11191-00	COVER, CYLINDER HEAD 1	1	1	1	
21	5BE-11167-00	PIPE, BREATHER 2	1	1	1	
22	371-11167-01	PIPE, BREATHER 2	1	1	1	
23	5TA-11166-00	PIPE, BREATHER 1	1	1	1	
24	90467-14015	CLIP	1	1	1	
25	90445-112K0	HOSE (L285)	1	1	1	
26	90467-11106	CLIP	2	2	2	



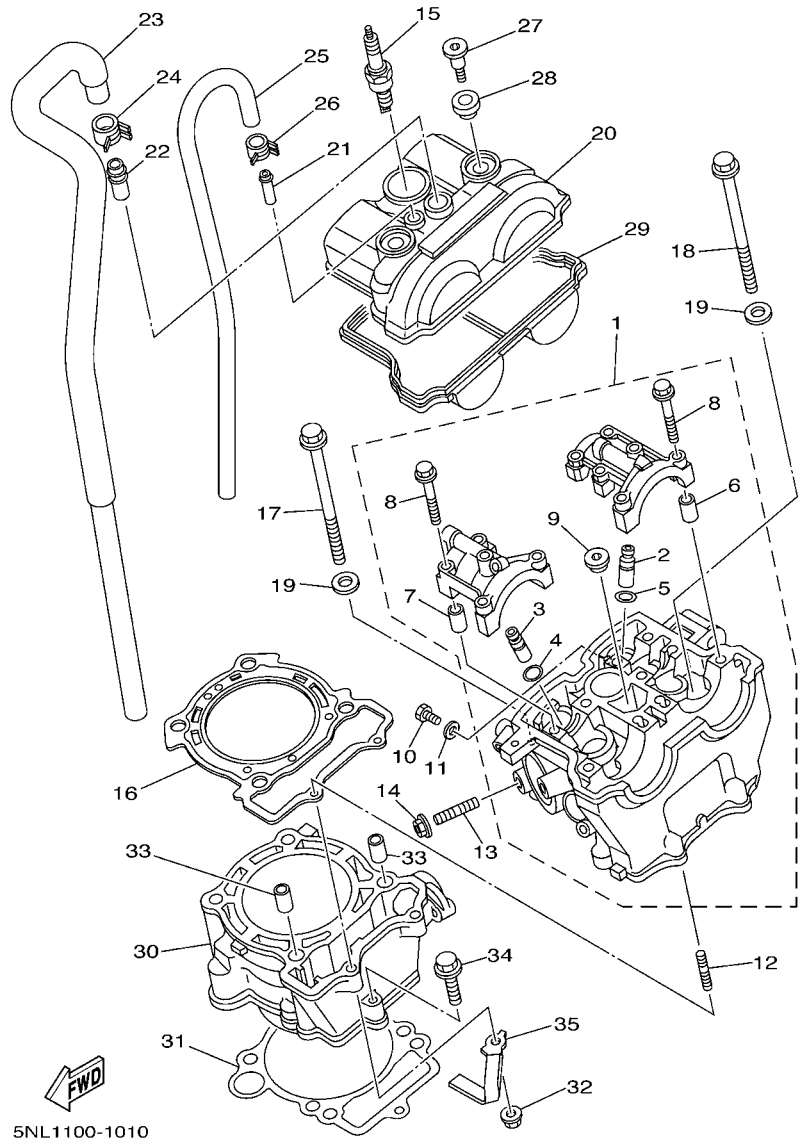
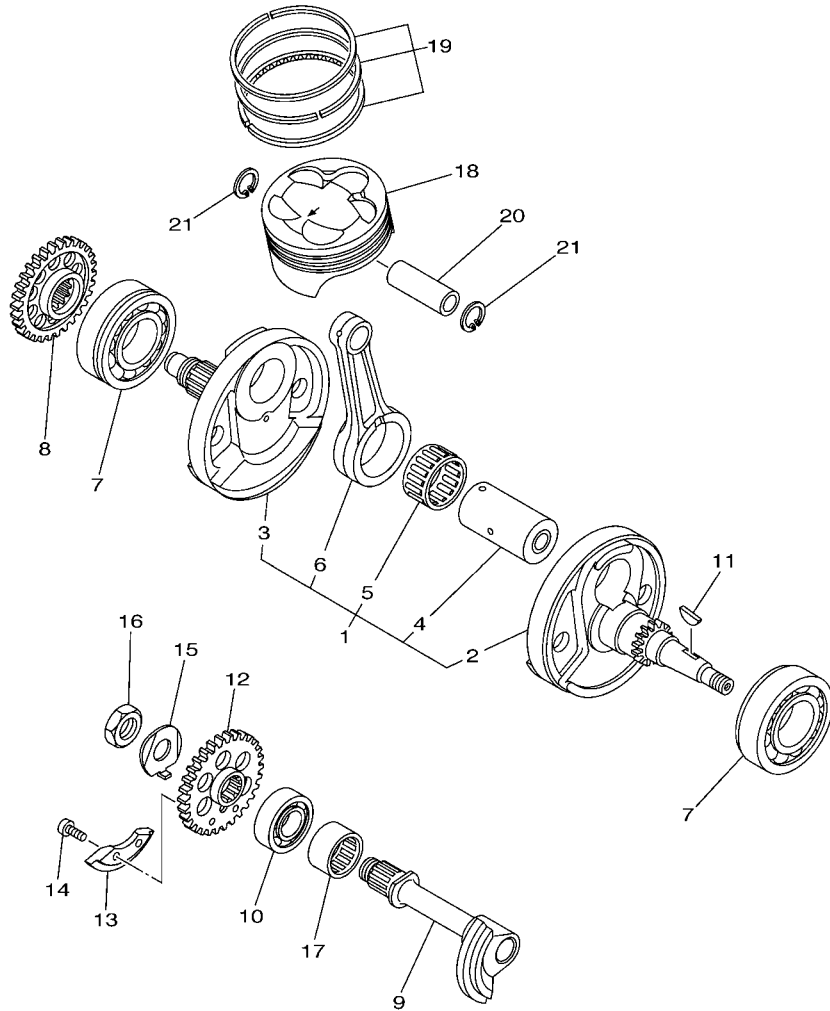


FIG. 1 CYLINDER

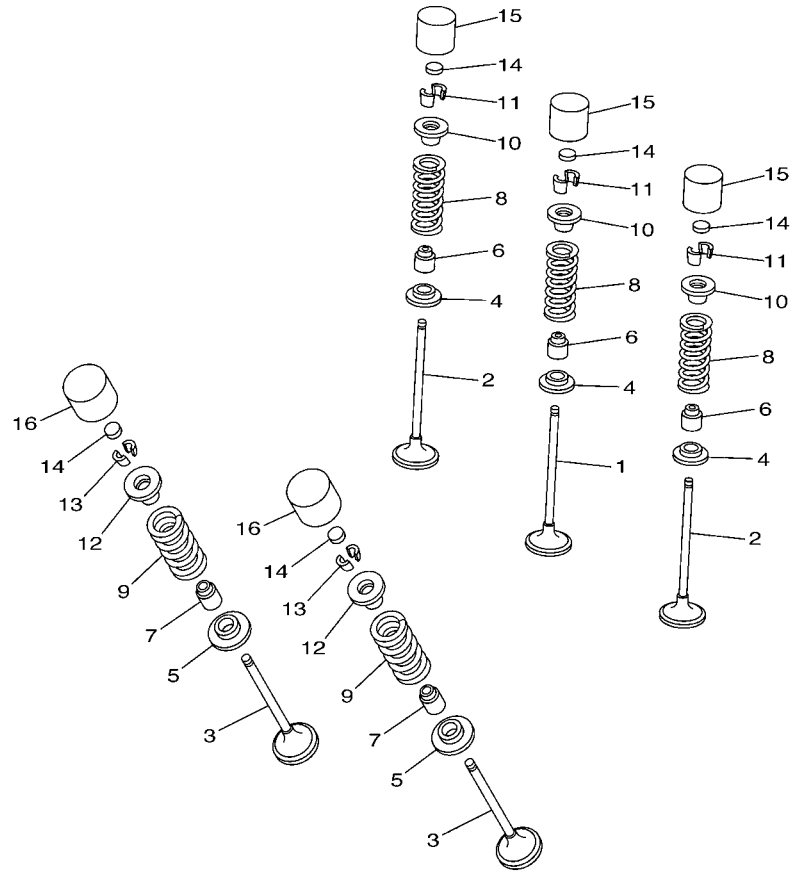
REF. NO.	PART NO.	DESCRIPTION	SUM1	SUM2	SUM4	REMARKS
27	90109-066F0	BOLT	2	2	2	
28	4KG-1111G-00	RUBBER, MOUNT 1	2	2	2	
29	5NL-11193-00	GASKET, HEAD COVER 1	1	1	1	
30	5UL-11311-00	CYLINDER 1	1	1	1	
31	5NL-11351-00	GASKET, CYLINDER	1	1	1	
32	95704-06500	NUT, FLANGE	2	2	2	
33	93612-16254	PIN, DOWEL	2	2	2	
34	95027-06035	BOLT, FLANGE	1	1	1	
35	5UM-11387-00	CLAMP, HOSE 1	1	1	1	

FIG. 2 CRANKSHAFT. PISTON



5NL1100-1020

REF. NO.	PART NO.	DESCRIPTION	SUM1	SUM2	SUM4	REMARKS
1	5UM-11400-00	CRANKSHAFT ASSY	1	1	1	
2	5UM-11412-00	.CRANK 1	1	1	1	
3	5UL-11422-00	.CRANK 2	1	1	1	
4	5UL-11681-00	.PIN, CRANK 1	1	1	1	
5	93310-63210	.BEARING	1	1	1	
6	5UL-11651-00	.ROD, CONNECTING	1	1	1	
7	93306-20648	BEARING	2	2	2	
8	5NL-11536-00	GEAR, DRIVE	1	1	1	
9	5NL-11455-00	SHAFT 1	1	1	1	
10	93306-20335	BEARING	1	1	1	
11	90280-03001	KEY, WOODRUFF	1	1	1	
12	5NL-11531-00	GEAR, BALANCE WEIGHT	1	1	1	
13	5NL-11454-00	WEIGHT 1	1	1	1	
14	90149-06250	SCREW	2	2	2	
15	90215-14204	WASHER, LOCK	1	1	1	
16	90170-14171	NUT	1	1	1	
17	93311-32261	BEARING	1	1	1	
18	5NL-11631-10	PISTON (STD)	1	1	1	
19	5NL-11603-00	PISTON RING SET (STD)	1	1	1	
20	5NL-11633-00	PIN, PISTON	1	1	1	
21	93420-16086	CIRCLIP	2	2	2	



5NL1100-1030

FIG. 3 VALVE

REF. NO.	PART NO.	DESCRIPTION	SUM1	SUM2	SUM4	REMARKS
1	5NL-12111-10	VALVE, INTAKE	1	1	1	
2	5NL-12112-10	VALVE, INTAKE 2	2	2	2	
3	5NL-12121-10	VALVE, EXHAUST	2	2	2	
4	5NL-12116-00	SEAT, VALVE SPRING	3	3	3	
5	3GM-12126-00	SEAT, VALVE SPRING 2	2	2	2	
6	4TV-12119-00	SEAL, VALVE STEM	3	3	3	
7	4SV-12119-00	SEAL, VALVE STEM	2	2	2	
8	5NL-12113-00	SPRING, VALVE INNER	3	3	3	
9	5NL-12114-00	SPRING, VALVE OUTER	2	2	2	
10	1HX-12117-00	RETAINER, VALVE SPRING	3	3	3	
11	1HX-12118-00	COTTER, VALVE	6	6	6	
12	1WG-12117-00	RETAINER, VALVE SPRING	2	2	2	
13	1WG-12118-00	COTTER, VALVE	4	4	4	
14	1HX-12168-00	PAD, ADJUSTING 2 (1.20)	5	5	5	UR
	1HX-12168-20	PAD, ADJUSTING 2 (1.25)	5	5	5	UR
	1HX-12168-40	PAD, ADJUSTING 2 (1.30)	5	5	5	UR
	1HX-12168-60	PAD, ADJUSTING 2 (1.35)	5	5	5	UR
	1HX-12168-80	PAD, ADJUSTING 2 (1.40)	5	5	5	UR
	1HX-12168-A0	PAD, ADJUSTING 2 (1.45)	5	5	5	UR
	1HX-12168-F0	PAD, ADJUSTING 2 (1.50)	5	5	5	UR
	1HX-12168-H1	PAD, ADJUSTING 2 (1.55)	5	5	5	UR
	1HX-12168-K1	PAD, ADJUSTING 2 (1.60)	5	5	5	UR
	1HX-12168-M1	PAD, ADJUSTING 2 (1.65)	5	5	5	UR
	1HX-12168-R1	PAD, ADJUSTING 2 (1.70)	5	5	5	UR
	1HX-12168-U1	PAD, ADJUSTING 2 (1.75)	5	5	5	UR
	1HX-12168-W1	PAD, ADJUSTING 2 (1.80)	5	5	5	UR
	1HX-12168-Y1	PAD, ADJUSTING 2 (1.85)	5	5	5	UR

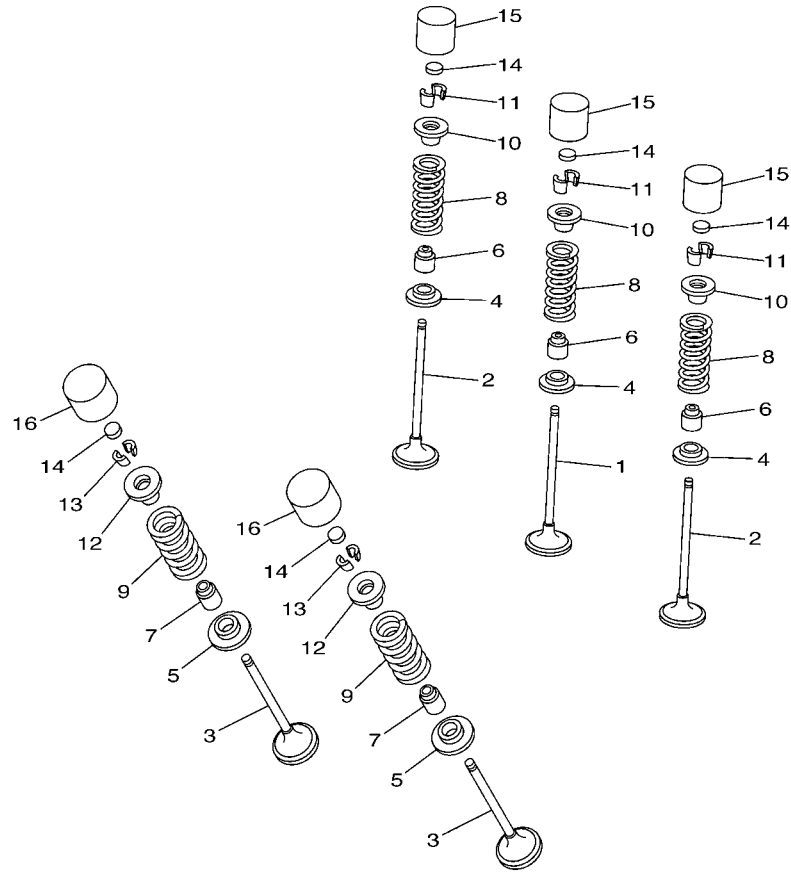
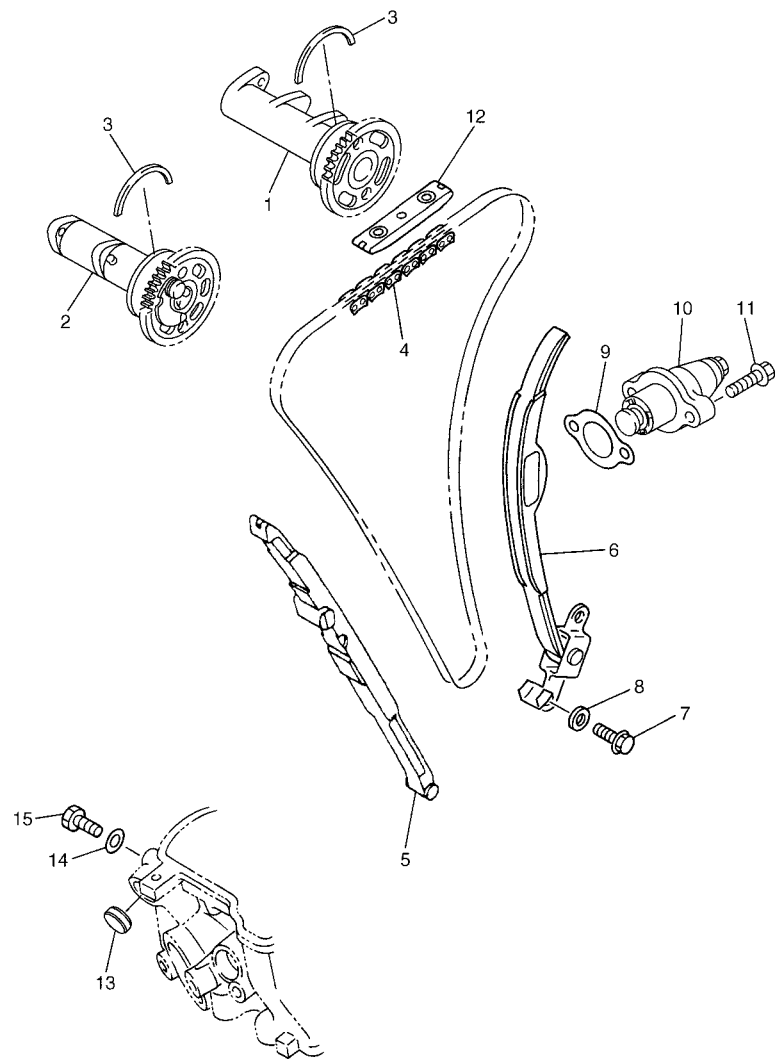


FIG. 3 VALVE

REF. NO.	PART NO.	DESCRIPTION	SUM1	SUM2	SUM4	REMARKS
14	1HX-12169-11	PAD, ADJUSTING 2 (1.90)	5	5	5	UR
	1HX-12169-31	PAD, ADJUSTING 2 (1.95)	5	5	5	UR
	1HX-12169-50	PAD, ADJUSTING 2 (2.00)	5	5	5	UR
	1HX-12169-70	PAD, ADJUSTING 2 (2.05)	5	5	5	UR
	1HX-12169-90	PAD, ADJUSTING 2 (2.10)	5	5	5	UR
	1HX-12169-E0	PAD, ADJUSTING 2 (2.15)	5	5	5	UR
	1HX-12169-G0	PAD, ADJUSTING 2 (2.20)	5	5	5	UR
	1HX-12169-J0	PAD, ADJUSTING 2 (2.25)	5	5	5	UR
	1HX-12169-L0	PAD, ADJUSTING 2 (2.30)	5	5	5	UR
	1HX-12169-N0	PAD, ADJUSTING 2 (2.35)	5	5	5	UR
	1HX-12169-T0	PAD, ADJUSTING 2 (2.40)	5	5	5	UR
15	3LN-12153-00	LIFTER, VALVE	3	3	3	UR BLACK
	3LN-12153-10	LIFTER, VALVE	3	3	3	UR YELLOW
	3LN-12153-20	LIFTER, VALVE	3	3	3	UR BLUE
	3LN-12153-30	LIFTER, VALVE	3	3	3	UR RED
16	3FV-12153-00	LIFTER, VALVE	2	2	2	UR BLACK
	3FV-12153-10	LIFTER, VALVE	2	2	2	UR YELLOW
	3FV-12153-20	LIFTER, VALVE	2	2	2	UR BLUE
	3FV-12153-30	LIFTER, VALVE	2	2	2	UR RED



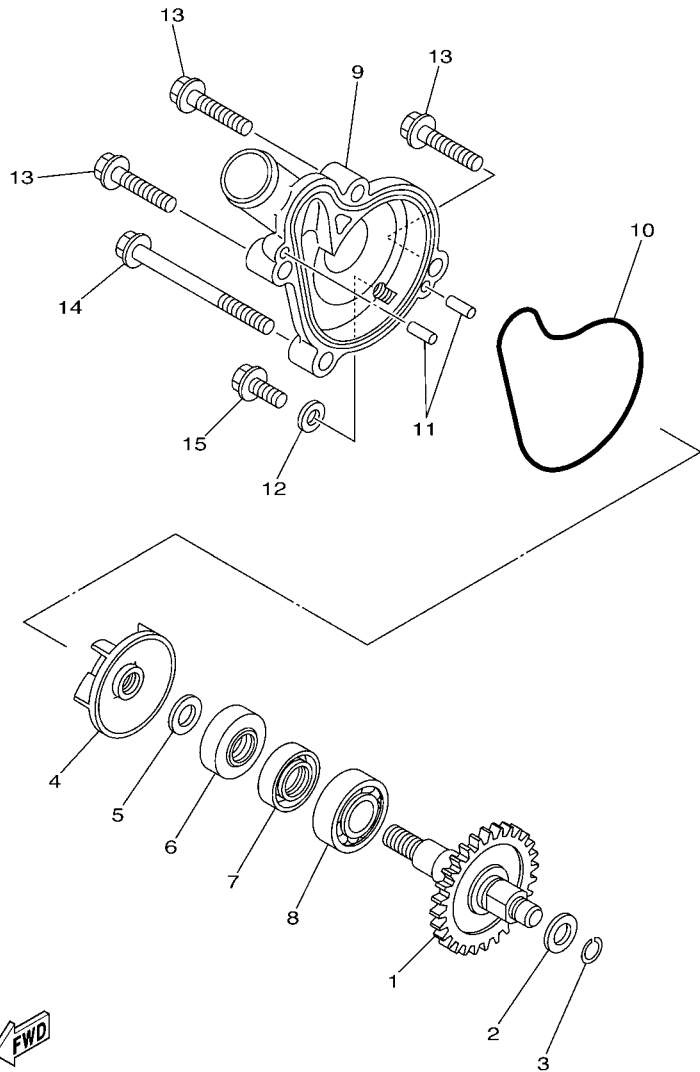
5NL1100-1030



**FWD**  
5UL1100-B040

**FIG. 4 CAMSHAFT. CHAIN**

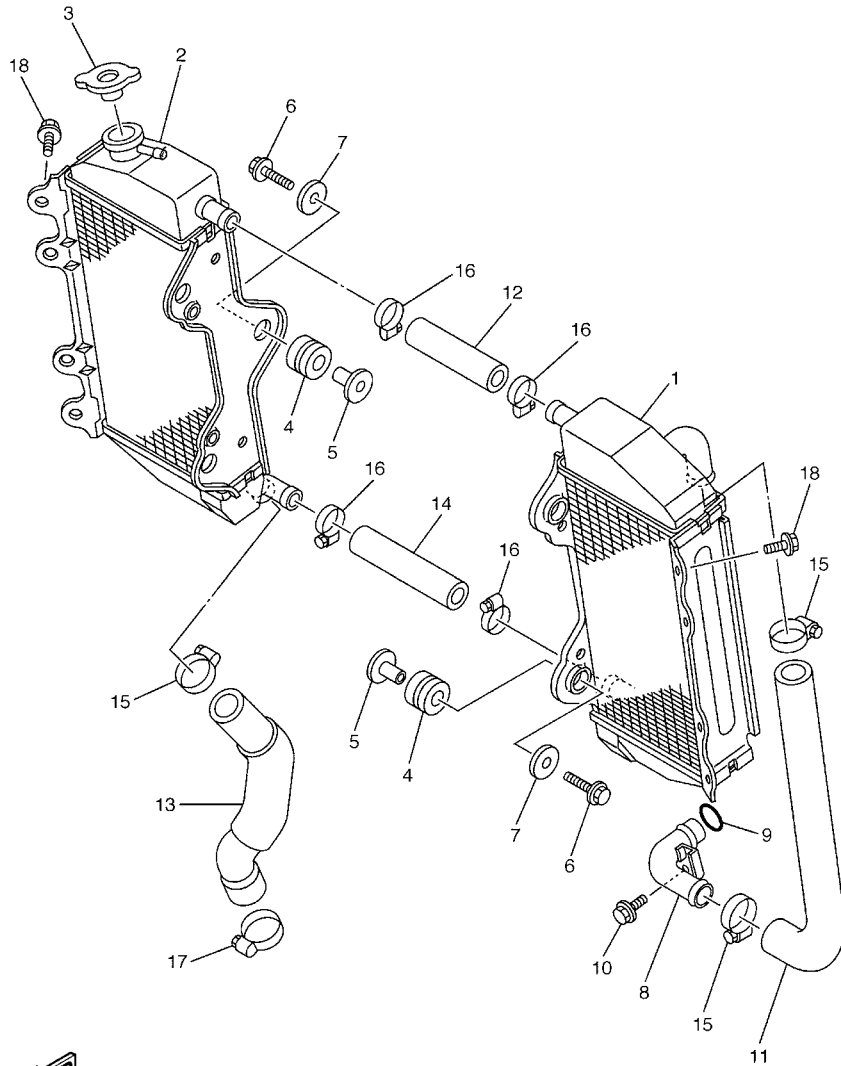
REF. NO.	PART NO.	DESCRIPTION	SUM1	SUM2	SUM4	REMARKS
1	5UM-12170-00	CAMSHAFT ASSY 1	1	1	1	
2	5UM-12180-00	CAMSHAFT ASSY 2	1	1	1	
3	93440-41178	CIRCLIP	2	2	2	
4	94591-53114	CHAIN	1	1	1	
5	5NL-12251-00	DAMPER, CHAIN 1	1	1	1	
6	5NL-12252-00	DAMPER, CHAIN 2	1	1	1	
7	97027-06016	BOLT	2	2	2	
8	92907-06600	WASHER, PLATE	2	2	2	
9	4FM-12213-00	GASKET, TENSIONER CASE	1	1	1	
10	5TA-12210-00	TENSIONER ASSY, CAM CHAIN	1	1	1	
11	95027-06025	BOLT, FLANGE	2	2	2	
12	5BE-12241-00	GUIDE, STOPPER 2	1	1	1	
13	90338-18064	PLUG	1	1	1	
14	90430-06014	GASKET	1	1	1	
15	90109-06418	BOLT	1	1	1	



**FWD**  
5NL1100-1050

**FIG. 5 WATER PUMP**

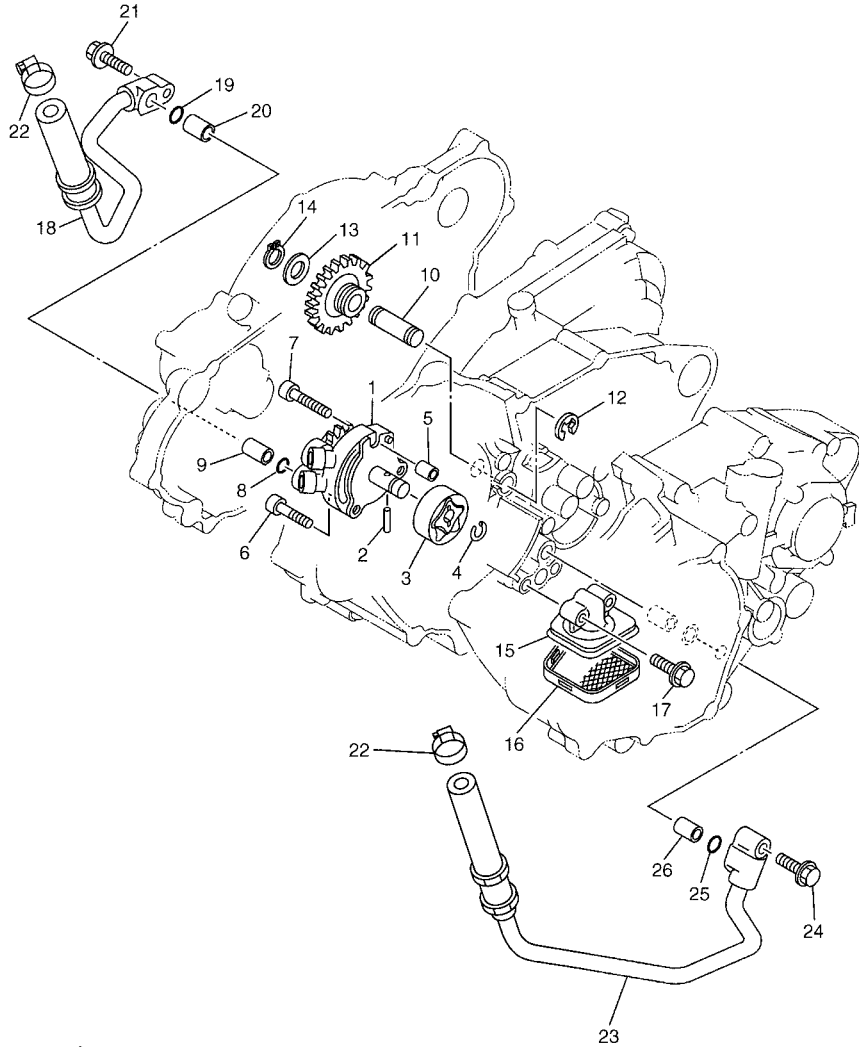
REF. NO.	PART NO.	DESCRIPTION	SUM1	SUM2	SUM4	REMARKS
1	5NL-12459-00	GEAR, IMPELLER SHAFT	1	1	1	
2	90201-08512	WASHER, PLATE	1	1	1	
3	93440-07182	CIRCLIP	1	1	1	
4	5DH-12451-00	IMPELLER, WATER PUMP	1	1	1	
5	90201-08512	WASHER, PLATE	1	1	1	
6	93109-11073	OIL SEAL	1	1	1	
7	93102-12106	OIL SEAL (SD 12-22-5 HS)	1	1	1	
8	93306-00105	BEARING (B6001)	1	1	1	
9	5NL-12422-10	COVER, HOUSING	1	1	1	
10	5NL-12439-00	O-RING	1	1	1	
11	93604-10011	PIN, DOWEL	2	2	2	
12	90430-06014	GASKET	1	1	1	
13	95027-06025	BOLT, FLANGE	3	3	3	
14	95027-06065	BOLT, FLANGE	1	1	1	
15	95027-06012	BOLT, FLANGE	1	1	1	



5UM1100-B060

FIG. 6 RADIATOR. HOSE

REF. NO.	PART NO.	DESCRIPTION	SUM1	SUM2	SUM4	REMARKS
1	5PH-1240A-00	RADIATOR ASSY	1	1	1	
2	5PH-12461-00	RADIATOR ASSY	1	1	1	
3	5HD-12462-00	CAP, RADIATOR	1	1	1	
4	90480-15528	GROMMET	6	6	6	
5	90387-06065	COLLAR	6	6	6	
6	95027-06025	BOLT, FLANGE	6	6	6	
7	90201-06571	WASHER, PLATE	6	6	6	
8	5NL-12481-00	PIPE 1	1	1	1	
9	93210-15414	O-RING	1	1	1	
10	95027-06012	BOLT, FLANGE	1	1	1	
11	5SG-12576-00	HOSE 1	1	1	1	
12	5SG-12577-00	HOSE 2	1	1	1	
13	5SG-12578-00	HOSE 3	1	1	1	
14	5SG-12579-00	HOSE 4	1	1	1	
15	90450-25037	HOSE CLAMP ASSY	3	3	3	
16	90450-22017	HOSE CLAMP ASSY	4	4	4	
17	90450-32015	HOSE CLAMP ASSY	1	1	1	
18	95827-06010	BOLT, FLANGE	2	2	2	



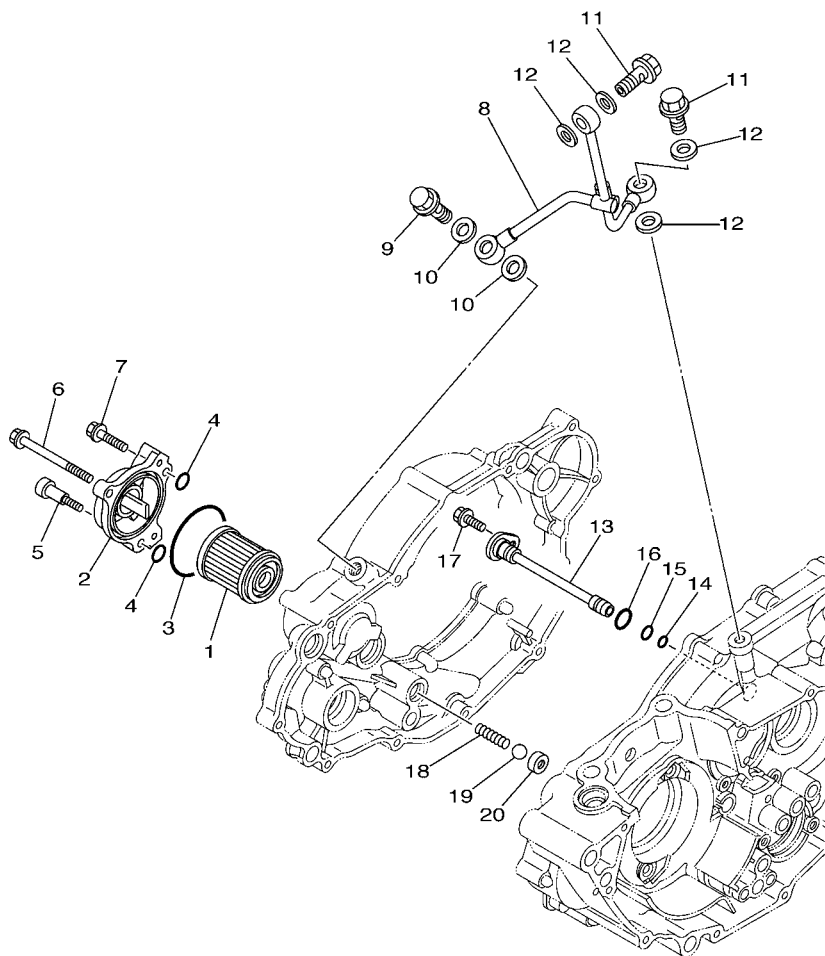
5UL1100-B070

FIG. 7 OIL PUMP

REF. NO.	PART NO.	DESCRIPTION	SUM1	SUM2	SUM4	REMARKS
1	5SG-13300-00	OIL PUMP ASSY	1	1	1	
2	93603-16219	PIN, DOWEL	1	1	1	
3	5NL-13320-00	ROTOR ASSY 2	1	1	1	
4	93440-10153	CIRCLIP	1	1	1	
5	99530-08012	PIN, DOWEL	1	1	1	
6	90110-06058	BOLT, HEXAGON SOCKET HEAD	2	2	2	
7	91314-06030	BOLT	1	1	1	
8	93210-10197	O-RING	1	1	1	
9	99530-10114	PIN, DOWEL	1	1	1	
10	5BE-13342-00	SHAFT, IDLE GEAR	1	1	1	
11	5NL-13341-00	GEAR, OIL PUMP IDLE	1	1	1	
12	99001-08600	CIRCLIP	1	1	1	
13	90201-12166	WASHER, PLATE	1	1	1	
14	99009-12400	CIRCLIP	1	1	1	
15	5NL-13412-00	HOUSING, STRAINER	1	1	1	
16	5NL-13411-00	STRAINER, OIL	1	1	1	
17	95027-06025	BOLT, FLANGE	2	2	2	
18	5UL-13464-00	HOSE, OIL 1	1	1	1	
19	93210-10197	O-RING	1	1	1	
20	99530-10114	PIN, DOWEL	1	1	1	
21	95027-06025	BOLT, FLANGE	1	1	1	
22	90450-22017	HOSE CLAMP ASSY	2	2	2	
23	5UL-13465-00	HOSE, OIL 2	1	1	1	
24	95027-06025	BOLT, FLANGE	1	1	1	
25	93210-10197	O-RING	1	1	1	
26	99530-10114	PIN, DOWEL	1	1	1	



**FIG. 8 OIL CLEANER**



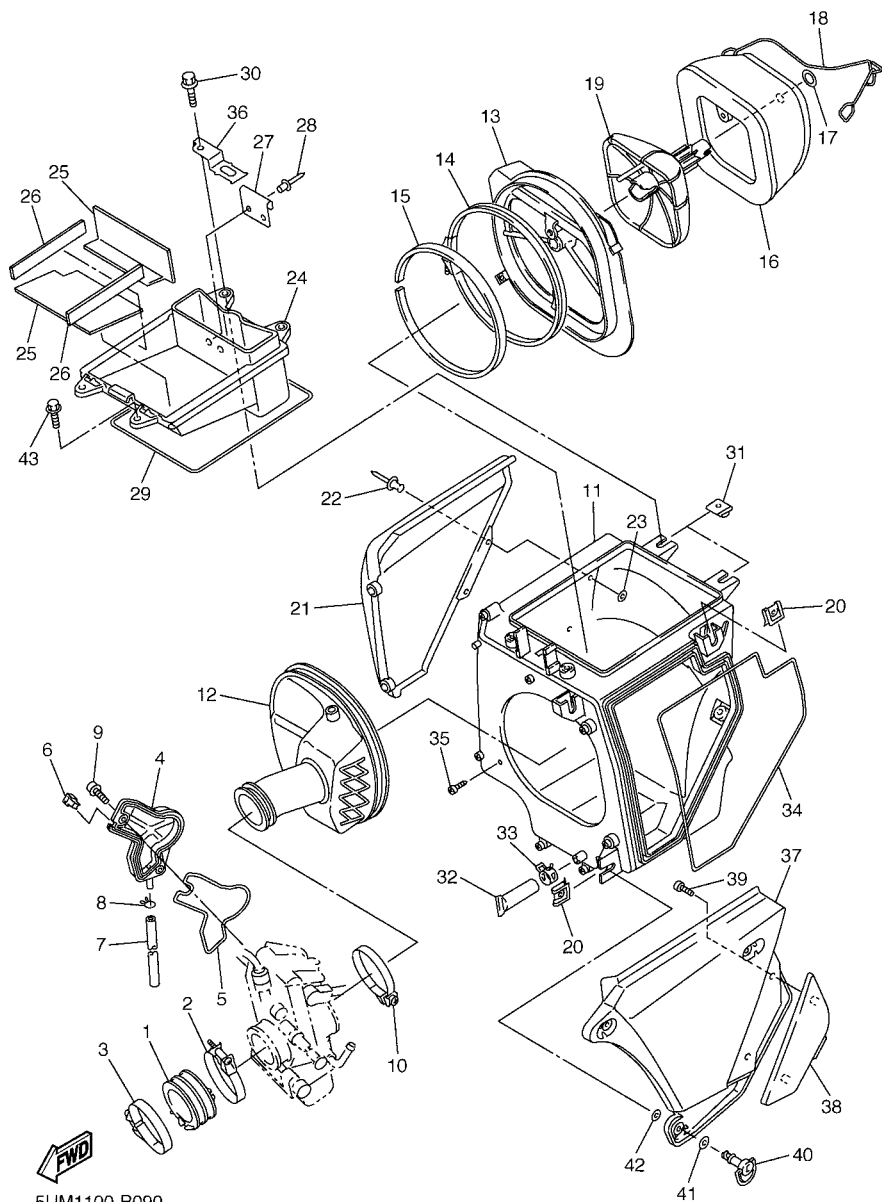
REF. NO.	PART NO.	DESCRIPTION	SUM1	SUM2	SUM4	REMARKS
1	5TA-13440-00	ELEMENT ASSY, OIL CLEANER	1	1	1	
2	5BE-13447-10	COVER, OIL ELEMENT	1	1	1	
3	93210-47675	O-RING	1	1	1	
4	93210-07135	O-RING	3	3	3	
5	90109-065G2	BOLT	1	1	1	
6	95027-06065	BOLT, FLANGE	1	1	1	
7	95027-06025	BOLT, FLANGE	1	1	1	
8	5NL-13161-00	PIPE, DELIVERY 1	1	1	1	
9	90401-10159	BOLT, UNION	1	1	1	
10	90430-10188	GASKET	2	2	2	
11	90401-08038	BOLT, UNION	2	2	2	
12	90430-08119	GASKET	4	4	4	
13	5NL-13171-00	PIPE, DELIVERY 2	1	1	1	
14	93210-07003	O-RING	1	1	1	
15	93210-09008	O-RING	1	1	1	
16	93210-12759	O-RING	1	1	1	
17	95027-06012	BOLT, FLANGE	1	1	1	
18	90501-043E0	SPRING, COMPRESSION	1	1	1	
19	93503-08007	BALL	1	1	1	
20	583-13113-00	SEAT, CHECK BALL	1	1	1	



5NL1100-1080

**FIG. 9 INTAKE**

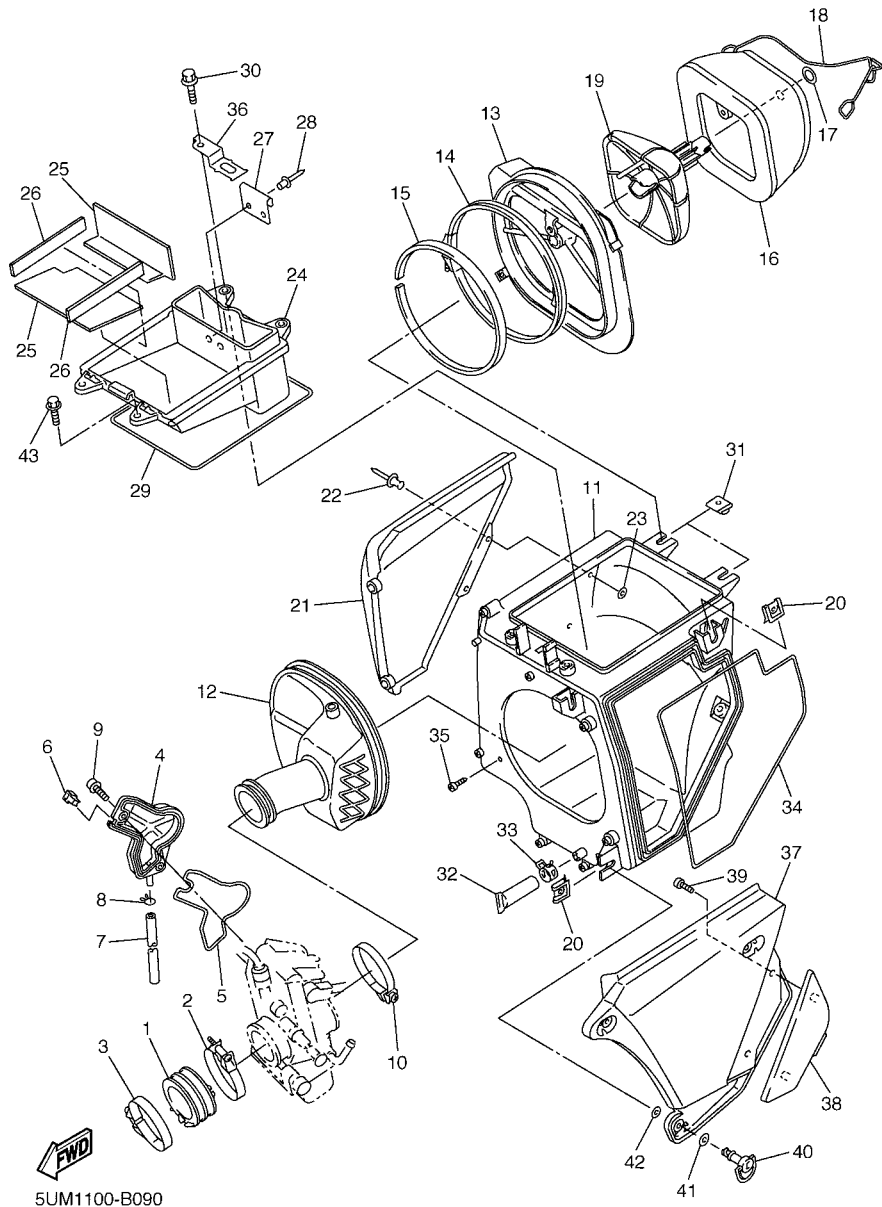
REF. NO.	PART NO.	DESCRIPTION	SUM1	SUM2	SUM4	REMARKS
1	5UL-13597-00	JOINT, CARBURETOR 3	1	1	1	
2	90450-57092	HOSE CLAMP ASSY	1	1	1	
3	90450-54002	HOSE CLAMP ASSY	1	1	1	
4	5TA-14293-00	COVER 1	1	1	1	
5	5TA-14227-00	GASKET	1	1	1	
6	5TA-14239-00	SEAL	1	1	1	
7	5TA-14987-00	HOSE	1	1	1	
8	3TJ-14137-40	CLIP	1	1	1	
9	5TA-14428-00	BOLT	2	2	2	
10	90450-61001	HOSE CLAMP ASSY	1	1	1	
11	5TJ-14401-00	AIR CLEANER CASE ASSY	1	1	1	
12	5TA-14453-00	JOINT, AIR CLEANER 1	1	1	1	
13	5TJ-14459-00	HOLDER, GUIDE	1	1	1	
14	5NY-14455-10	BAND	1	1	1	
15	5NY-14442-00	SPACER	1	1	1	
16	5TJ-14451-00	ELEMENT, AIR CLEANER	1	1	1	
17	5TJ-14475-00	WASHER	1	1	1	
18	5TJ-1441G-00	BINDER 1	1	1	1	
19	5TJ-14458-00	GUIDE	1	1	1	
20	4XV-2177L-00	PLATE, SPRING	3	3	3	
21	5TJ-1441E-00	COVER, CLEANER CASE 2	1	1	1	
22	90267-32146	RIVET, BLIND	2	2	2	
23	90201-03313	WASHER, PLATE	2	2	2	
24	5TJ-14437-00	DUCT	1	1	1	
25	5TJ-14425-00	DAMPER 1	2	2	2	
26	5TJ-14426-00	DAMPER 2	2	2	2	
27	5TJ-14436-00	HOOK	1	1	1	

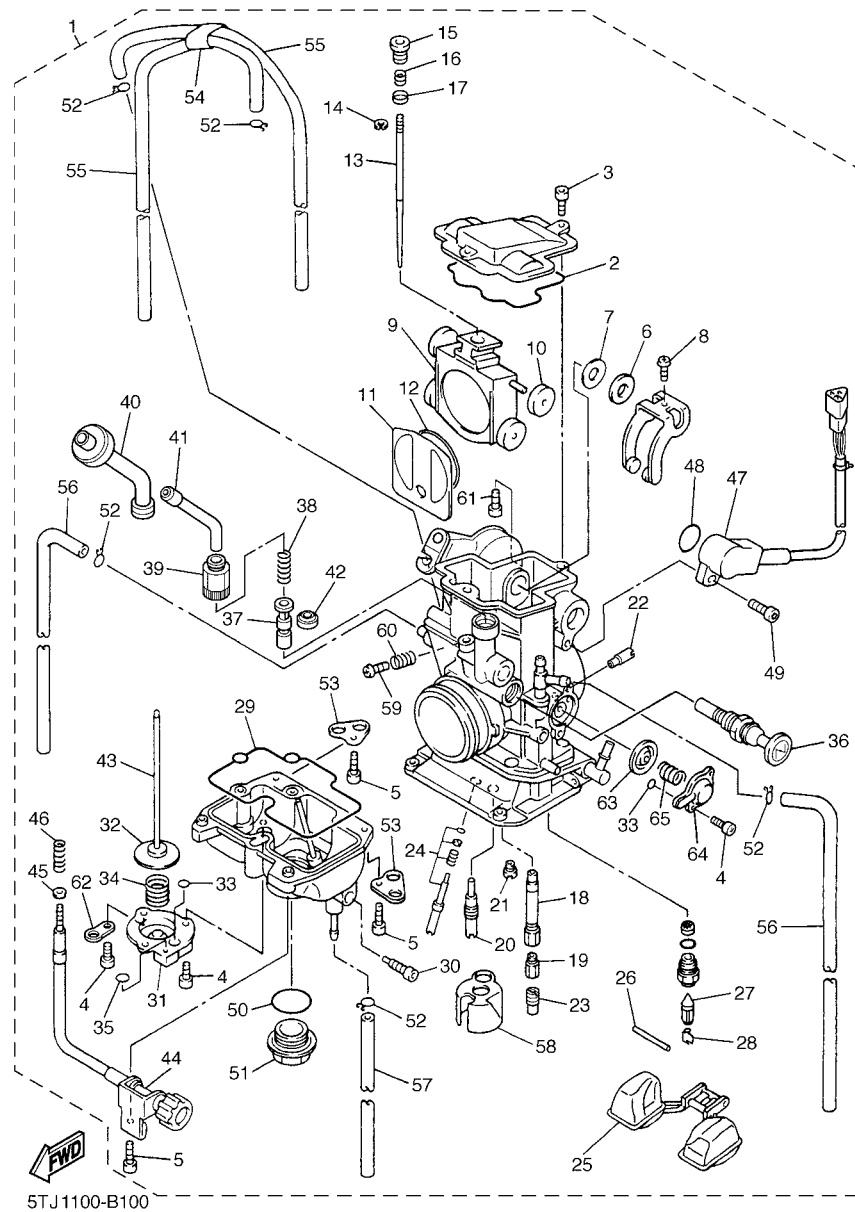


5UM1100-B090

**FIG. 9 INTAKE**

REF. NO.	PART NO.	DESCRIPTION	SUM1	SUM2	SUM4	REMARKS
28	90267-32146	RIVET, BLIND	2	2	2	
29	5TJ-14457-00	SEAL	1	1	1	
30	95027-06020	BOLT, FLANGE	2	2	2	
31	90183-06023	NUT, SPRING	2	2	2	
32	5BF-1443E-00	PIPE, DRAIN	1	1	1	
33	90467-17089	CLIP	1	1	1	
34	5TJ-14462-00	SEAL	1	1	1	
35	97707-50516	SCREW, TAPPING	1	1	1	
36	5TJ-81953-00	STAY, RELAY	1	1	1	
37	5TJ-1441A-00	COVER, CLEANER CASE 1	1	1	1	
38	5TJ-1442A-00	COVER, CLEANER CASE 3	1	1	1	
39	97707-30512	SCREW, TAPPING	2	2	2	
40	3FV-28386-00	HEAD	3	3	3	
41	2TK-21757-00	WASHER, SPECIAL 1	3	3	3	
42	5TJ-21757-00	WASHER, SPECIAL 1	3	3	3	
43	95827-06016	BOLT, FLANGE	2	2	2	

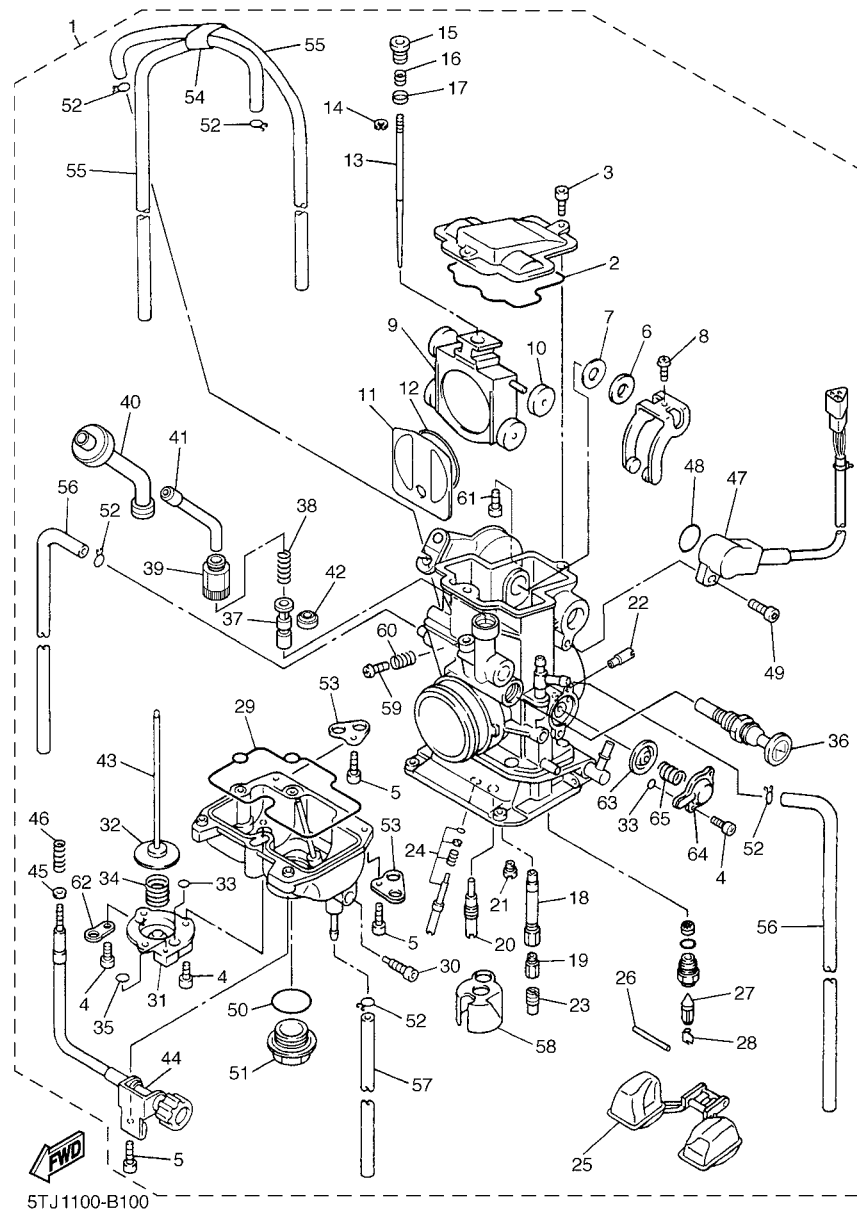




5TJ1100-B100

FIG. 10 CARBURETOR

REF. NO.	PART NO.	DESCRIPTION	SUM1	SUM2	SUM4	REMARKS
1	5UM-14101-00	CARBURETOR ASSY 1	1			
	5UM-14101-10	CARBURETOR ASSY 1		1	1	
2	5JG-14959-00	.GASKET	1	1	1	
3	91316-04012	.BOLT	2	2	2	
4	688-14592-00	.SCREW	5	5	5	
5	98502-04012	.SCREW, PAN HEAD	4	4	4	
6	90202-08045	.WASHER, PLATE	1	1	1	
7	5JG-14951-00	.WASHER	1	1	1	
8	5JG-14522-00	.SCREW, ADJUST	1	1	1	
9	5JG-14388-00	.VALVE, VACUUM CONTROL	1	1	1	
10	3TJ-14267-40	.ROLLER	1	1	1	
11	5JG-14546-01	.VALVE, NEEDLE	1	1	1	
12	4FN-14997-00	.SEAL	1	1	1	
13	5BE-14916-DS	.NEEDLE (#DVS)	1			STD
	5NL-14916-EP	.NEEDLE (#OBELP)		1	1	STD
	5BE-14916-DP	.NEEDLE (#DVP)	1			AP
	5BE-14916-D1	.NEEDLE (#DVQ)	1			AP
	5BE-14916-DR	.NEEDLE (#DVR)	1			AP
	5BE-14916-DT	.NEEDLE (#DVT)	1			AP
	5BE-14916-DU	.NEEDLE (#DVU)	1			AP
	5BE-14916-DV	.NEEDLE (#DVV)	1			AP
	5JG-14916-JR	.NEEDLE (#EJR)		1		AP
	5NL-14916-ES	.NEEDLE (#OBELS)		1	1	AP
	5NL-14916-EL	.NEEDLE (#OBELL)		1	1	AP
	5NL-14916-EM	.NEEDLE (#OBELM)		1	1	AP
	5NL-14916-EN	.NEEDLE (#OBELN)		1	1	AP
	5NL-14916-E1	.NEEDLE (#OBELQ)		1	1	AP

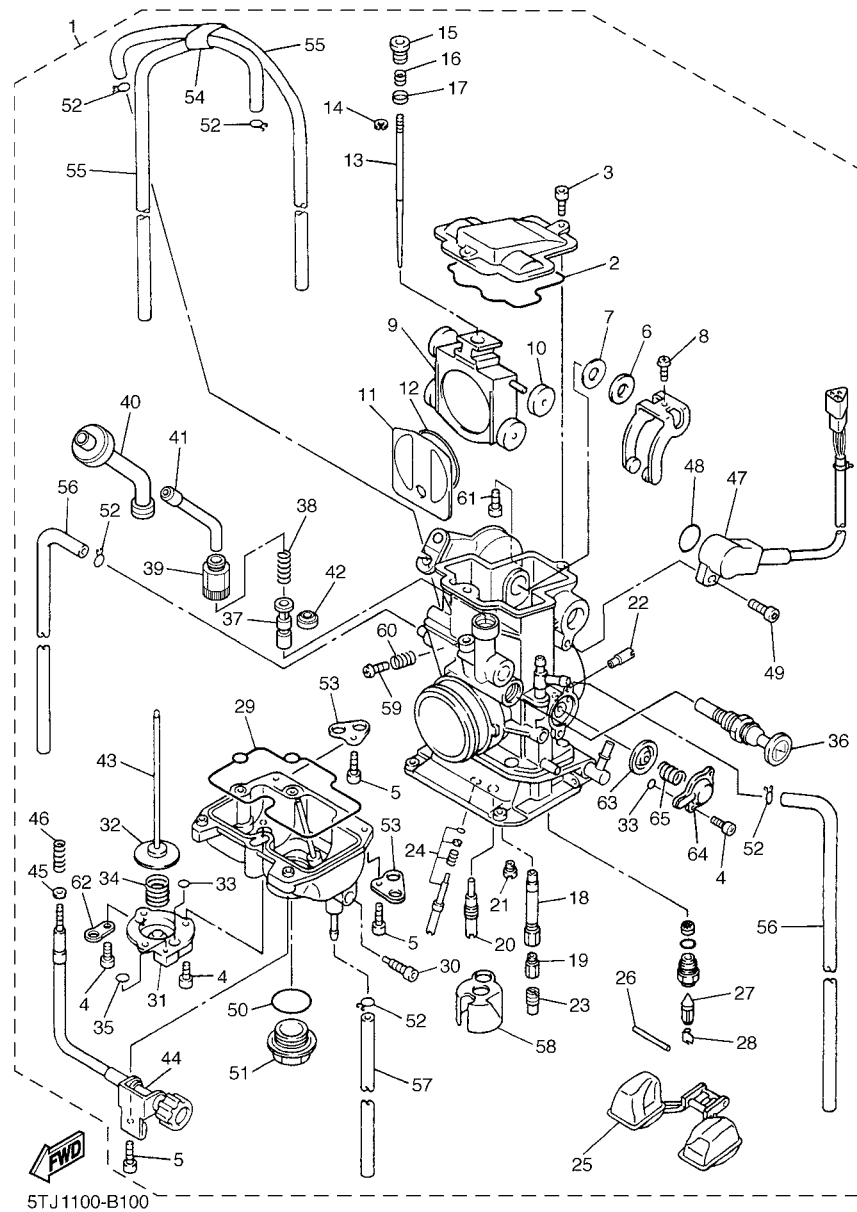


5TJ1100-B100

FIG. 10 CARBURETOR

REF. NO.	PART NO.	DESCRIPTION	SUM1	SUM2	SUM4	REMARKS
13	5NL-14916-ER	.NEEDLE (#OBELR)	1	1	1	AP
14	3TJ-14159-40	.CLIP	1	1	1	
15	5JG-14521-00	.SCREW, ADJUST	1	1	1	
16	5JG-14275-00	.SPRING	1	1	1	
17	5JG-14264-00	.COLLAR	1	1	1	
18	5JG-14947-00	.NOZZLE, MAIN	1	1	1	
19	4MX-14943-44	.JET, MAIN (#185)	1			STD
	4MX-14943-92	.JET, MAIN (#172)		1	1	STD
	4MX-14943-42	.JET, MAIN (#175)	1	1	1	AP
	4MX-14943-93	.JET, MAIN (#178)	1	1	1	AP
	4MX-14943-43	.JET, MAIN (#180)	1	1	1	AP
	4MX-14943-94	.JET, MAIN (#182)	1	1	1	AP
	4MX-14943-95	.JET, MAIN (#188)	1			AP
	4MX-14943-45	.JET, MAIN (#190)	1			AP
	4MX-14943-96	.JET, MAIN (#192)	1			AP
	4MX-14943-46	.JET, MAIN (#195)	1			AP
	4MX-14943-97	.JET, MAIN (#198)	1			AP
	4MX-14943-92	.JET, MAIN (#172)	1			AP
	4MX-14943-44	.JET, MAIN (#185)		1	1	AP
	4MX-14943-39	.JET, MAIN (#160)		1	1	AP
	4MX-14943-90	.JET, MAIN (#162)		1	1	AP
	4MX-14943-40	.JET, MAIN (#165)		1	1	AP
	4MX-14943-91	.JET, MAIN (#168)		1	1	AP
	4MX-14943-41	.JET, MAIN (#170)		1	1	AP
20	4MX-14948-03	.JET, SLOW (#40)	1	1	1	STD
	4MX-14948-01	.JET, SLOW (#35)	1	1	1	AP
	4MX-14948-02	.JET, SLOW (#38)	1	1	1	AP

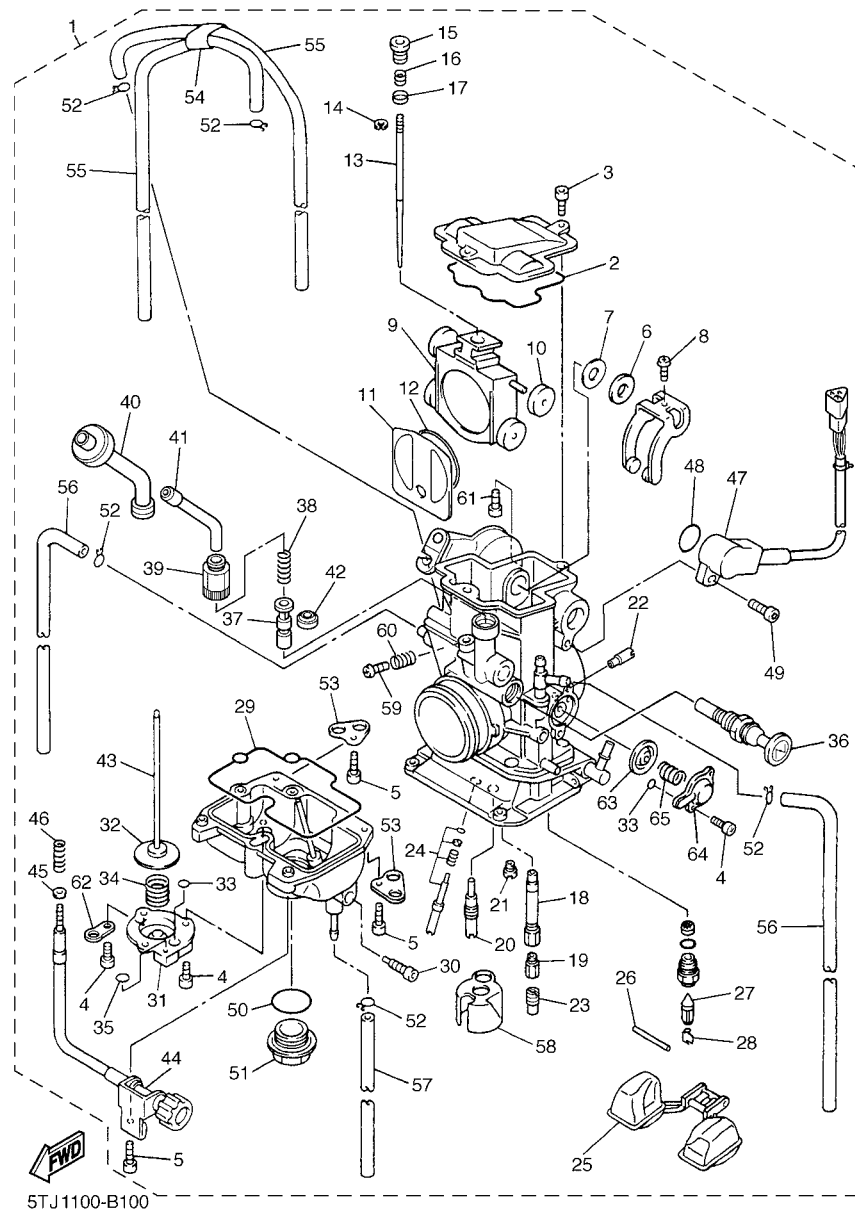
**B15**



5TJ1100-B100

FIG. 10 CARBURETOR

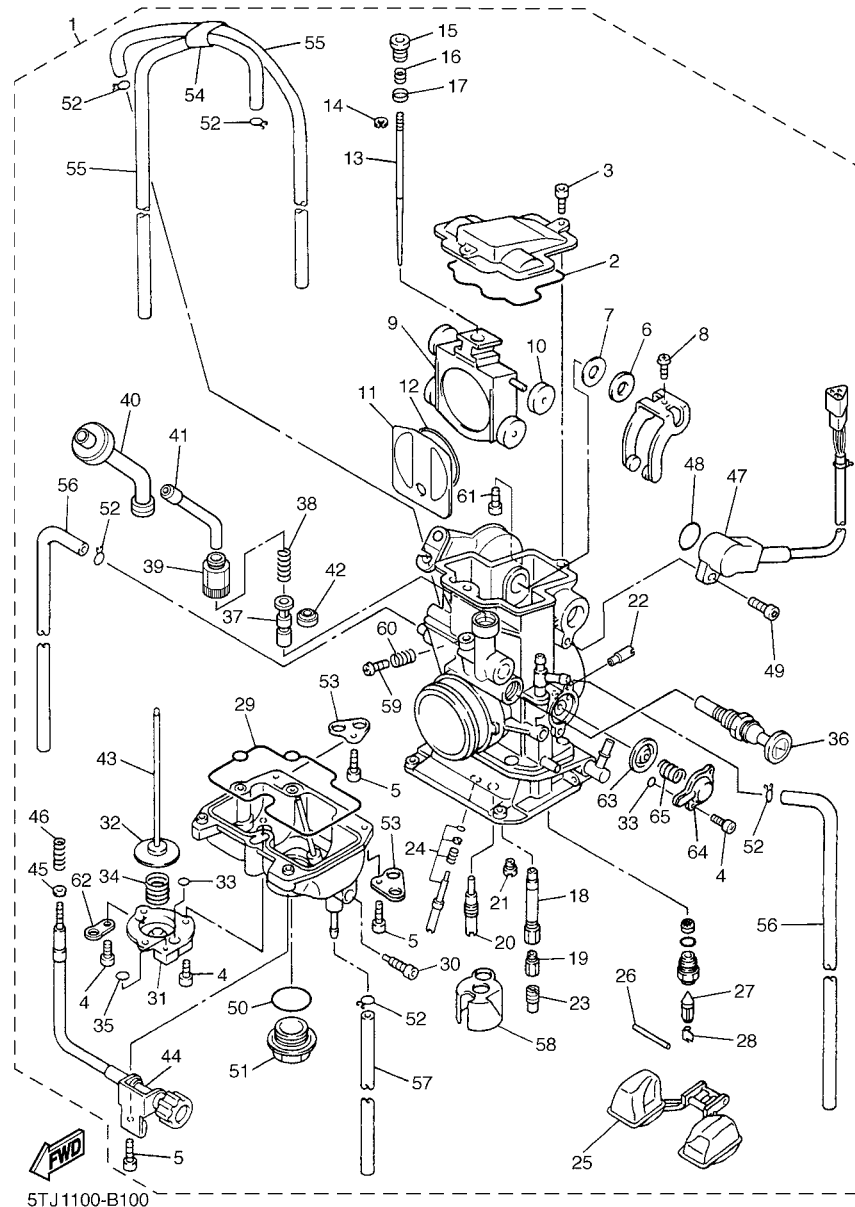
REF. NO.	PART NO.	DESCRIPTION	SUM1	SUM2	SUM4	REMARKS
20	4MX-14948-04	.JET, SLOW (#42)	1	1	1	AP
	4MX-14948-05	.JET, SLOW (#45)	1	1	1	AP
	4MX-14948-06	.JET, SLOW (#48)	1	1	1	AP
	4MX-14948-07	.JET, SLOW (#50)	1	1	1	AP
21	3TJ-1494F-16	.JET (#72)	1	1	1	STD
	3TJ-1494F-12	.JET (#62)	1	1	1	AP
	3TJ-1494F-13	.JET (#65)	1	1	1	AP
	3TJ-1494F-14	.JET (#68)	1	1	1	AP
	3TJ-1494F-15	.JET (#70)	1	1	1	AP
	3TJ-1494F-17	.JET (#75)	1	1	1	AP
	3TJ-1494F-18	.JET (#78)	1	1	1	AP
	3TJ-1494F-19	.JET (#80)	1	1	1	AP
	3TJ-1494F-20	.JET (#82)	1	1	1	AP
22	5TA-14943-17	.JET, MAIN (#75)	1	1	1	
23	4JT-1494F-23	.JET (#90)	1	1	1	STD
	4JT-1494F-11	.JET (#60)	1	1	1	AP
	4JT-1494F-15	.JET (#70)	1	1	1	AP
	4JT-1494F-17	.JET (#75)		1	1	AP
	4JT-1494F-19	.JET (#80)	1	1	1	AP
	4JT-1494F-27	.JET(#100)	1	1	1	AP
	4JT-1494F-29	.JET(#110)	1	1	1	AP
	4JT-1494F-31	.JET(#120)	1	1	1	AP
24	3TJ-14105-40	.PILOT SCREW SET	1	1	1	
25	4SR-14985-00	.FLOAT	1	1	1	
26	676-14548-00	.PIN, FLOAT ARM	1	1	1	
27	4MX-14392-00	.VALVE, NEEDLE	1	1	1	
28	633-14159-00	.CLIP	1	1	1	



5TJ1100-B100

FIG. 10 CARBURETOR

REF. NO.	PART NO.	DESCRIPTION	SUM1	SUM2	SUM4	REMARKS
29	5JG-14984-00	.GASKET, FLOAT CHAMBER	1	1	1	
30	3TJ-14191-40	.PLUG, DRAIN	1	1	1	
31	3TJ-14293-40	.COVER 1	1	1	1	
32	5JG-14940-76	.DIAPHRAGM ASSY	1	1	1	STD
	5JG-14940-16	.DIAPHRAGM ASSY	1	1	1	AP
	5JG-14940-17	.DIAPHRAGM ASSY	1	1	1	AP
	5JG-14940-18	.DIAPHRAGM ASSY	1	1	1	AP
33	3TJ-14536-40	.GASKET	2	2	2	
34	3TJ-14933-40	.SPRING, DIAPHRAGM	1	1	1	
35	6H4-14561-00	.O-RING	1	1	1	
36	5TA-14171-00	.PLUNGER, STARTER	1	1	1	
37	5TA-14371-00	.PLUNGER, STARTER	1	1	1	
38	5TA-14335-00	.SPRING, PLUNGER	1	1	1	
39	5TA-14991-00	.SCREW	1	1	1	
40	5TA-14374-00	.CAP, PLUNGER	1	1	1	
41	5TA-14155-00	.GUIDE, CABLE	1	1	1	
42	5TA-14997-00	.SEAL	1	1	1	
43	5JG-14379-00	.ROD, STARTER	1	1	1	
44	5JG-14922-00	.SCREW, THROTTLE	1	1	1	
45	90201-08410	.WASHER, PLATE	1	1	1	
46	5TA-14934-00	.SPRING, THROTTLE STOP	1	1	1	
47	5TA-85885-00	.THROTTLE SENSOR ASSY	1	1	1	
48	5NX-14562-00	.O-RING	1	1	1	
49	5NX-14216-00	.SCREW	1	1	1	
50	4MX-14561-00	.O-RING	1	1	1	
51	4MX-14115-00	.PLUG, SCREW	1	1	1	
52	3TJ-14137-40	.CLIP	5	5	5	



5TJ1100-B100

FIG. 10 CARBURETOR

REF. NO.	PART NO.	DESCRIPTION	SUM1	SUM2	SUM4	REMARKS
53	5BE-14146-00	.PLATE	2	2	2	
54	5TA-14261-00	.HOLDER	1	1	1	
55	5UL-14196-00	.PIPE	2	2	2	
56	5TA-14197-00	.PIPE	2	2	2	
57	5TJ-14987-00	.HOSE	1	1	1	
58	5JG-14346-00	.PLATE	1	1	1	
59	5JG-14565-00	.SCREW	1	1	1	
60	5JG-14531-00	.SPRING, ADJUST SCREW	1	1	1	
61	5GS-14591-00	.SCREW	1			
	5NL-14591-00	.SCREW		1	1	
62	5PA-14146-00	.PLATE	1	1	1	
63	5GS-14940-00	.DIAPHRAGM ASSY	1	1	1	
64	5GS-14958-00	.COVER, DIAPHRAGM	1	1	1	
65	5GS-14933-00	.SPRING, DIAPHRAGM	1	1	1	



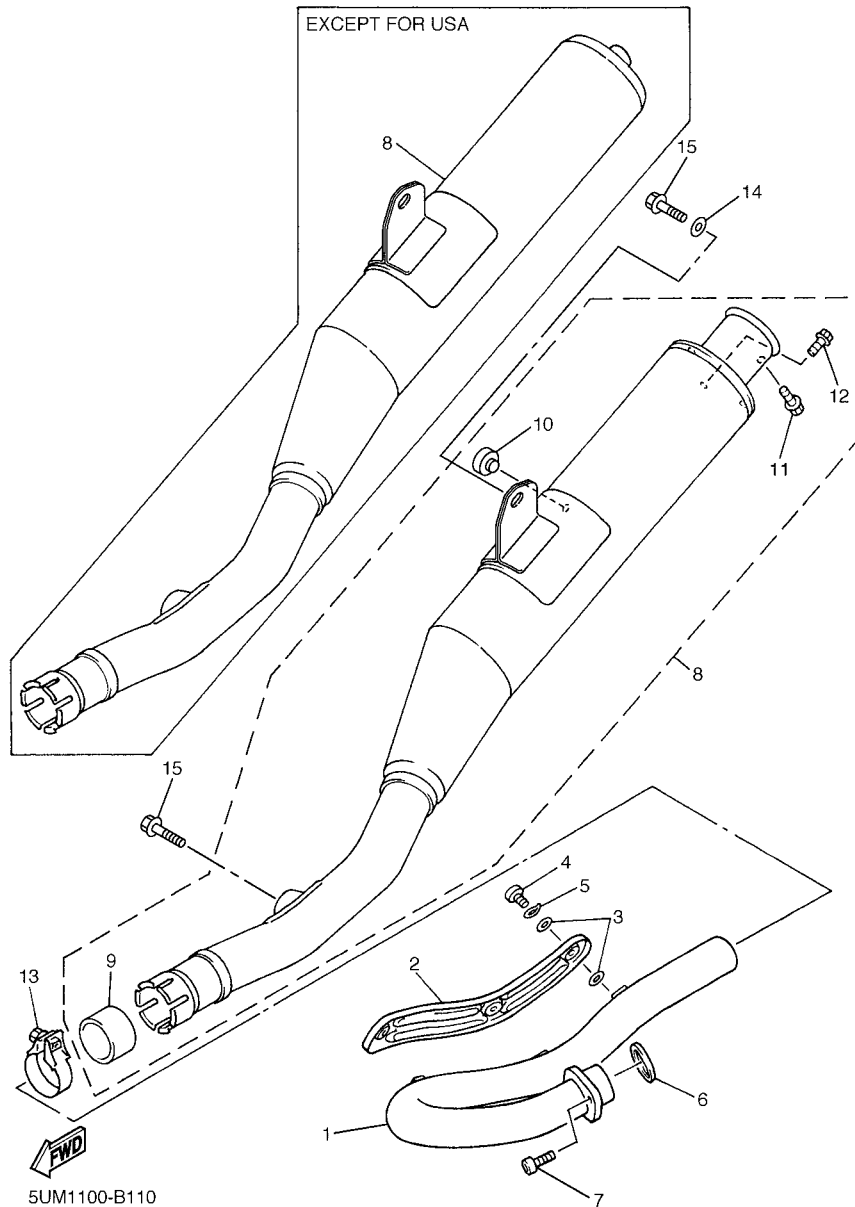
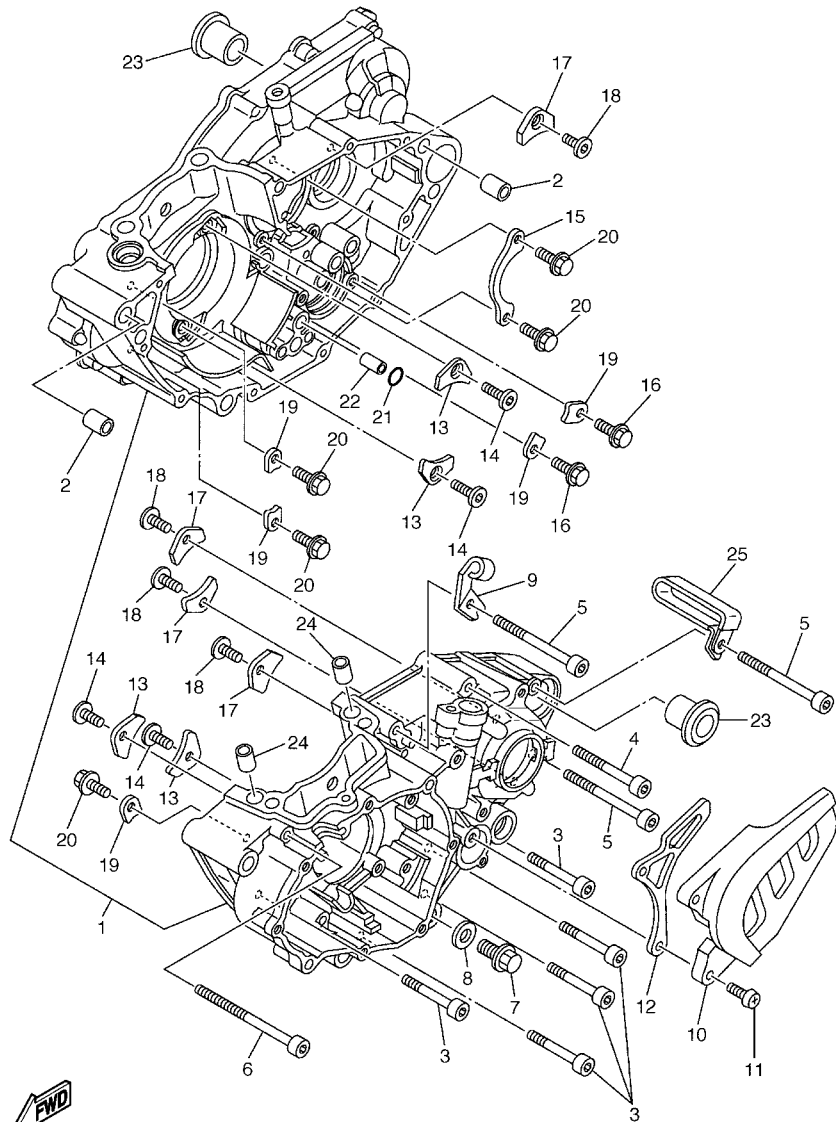


FIG. 11 EXHAUST

REF. NO.	PART NO.	DESCRIPTION	SUM1	SUM2	SUM4	REMARKS
1	5NL-14611-00	PIPE, EXHAUST 1	1	1	1	
2	5NL-14628-00	PROTECTOR, EXHAUST PIPE	1	1	1	
3	4BD-14766-00	WASHER, PROTECTOR	6	6	6	
4	98980-06008	SCREW, BIND	3	3	3	
5	90206-06090	WASHER, WAVE	3	3	3	
6	5NL-14613-00	GASKET, EXHAUST PIPE	1	1	1	
7	91317-08020	BOLT	1	1	1	
8	5UM-14710-00	MUFFLER ASSY 1	1			
	5UM-14710-10	MUFFLER ASSY 1		1	1	
9	5PH-14714-00	.GASKET, MUFFLER	1	1	1	
10	4FU-24181-00	.DAMPER, LOCATING 1	1	1	1	
11	95804-06010	.BOLT, FLANGE	3			
12	95804-06016	.BOLT, FLANGE	1			
13	5BE-14788-00	BAND, SILENCER	1	1	1	
14	90201-086P8	WASHER, PLATE	1	1	1	
15	95817-08020	BOLT, FLANGE	2	2	2	



5UM1100-B120

FIG. 12 CRANKCASE

REF. NO.	PART NO.	DESCRIPTION	SUM1	SUM2	SUM4	REMARKS
1	5UM-15150-00	CRANKCASE ASSY	1	1	1	
2	93612-16254	PIN, DOWEL	2	2	2	
3	91317-06045	BOLT	5	5	5	
4	91317-06055	BOLT	1	1	1	
5	91317-06070	BOLT	3	3	3	
6	91317-06100	BOLT	1	1	1	
7	95027-10016	BOLT, FLANGE	1	1	1	
8	90430-10188	GASKET	1	1	1	
9	5NL-15441-01	HOLDER, CLUTCH CABLE	1	1	1	
10	5BE-15421-00	COVER, CRANKCASE 2	1	1	1	
11	98507-06025	SCREW, PAN HEAD	2	2	2	
12	5NL-17466-00	GUIDE, CHAIN	1	1	1	
13	5BE-15383-01	PLATE, BEARING COVER	4	4	4	
14	90149-06126	SCREW	4	4	4	
15	5NL-15388-00	PLATE, BEARING COVER	1	1	1	
16	90105-06553	BOLT, FLANGE	2	2	2	
17	4JT-15381-01	PLATE, BEARING COVER	4	4	4	
18	90149-06326	SCREW	4	4	4	
19	5DH-18562-00	PLATE, STOPPER 2	5	5	5	
20	90105-06553	BOLT, FLANGE	5	5	5	
21	93210-10197	O-RING	1	1	1	
22	99530-10114	PIN, DOWEL	1	1	1	
23	90387-18007	COLLAR	2	2	2	
24	99530-10116	PIN, DOWEL	2	2	2	
25	90465-10013	CLAMP	1	1	1	

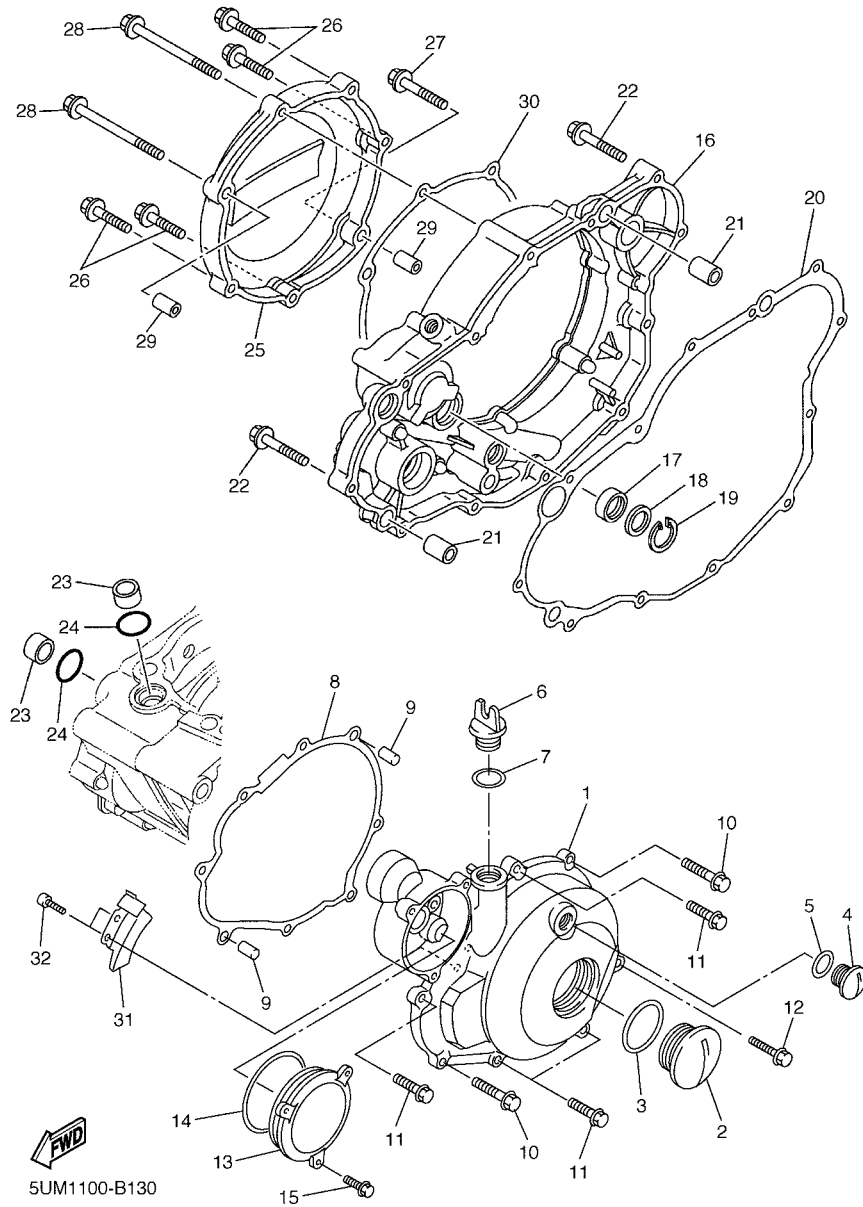


FIG. 13 CRANKCASE COVER 1

REF. NO.	PART NO.	DESCRIPTION	SUM1	SUM2	SUM4	REMARKS
1	5UM-15411-00	COVER, CRANKCASE 1	1	1	1	
2	90340-27002	PLUG, STRAIGHT SCREW	1	1	1	
3	93210-27370	O-RING	1	1	1	
4	90340-14128	PLUG, STRAIGHT SCREW	1	1	1	
5	93210-14369	O-RING	1	1	1	
6	3Y1-15363-00	PLUG, OIL	1	1	1	
7	93210-19123	O-RING	1	1	1	
8	5UM-15451-00	GASKET, CRANKCASE COVER 1	1	1	1	
9	99530-08016	PIN, DOWEL	2	2	2	
10	95027-06040	BOLT, FLANGE	2	2	2	
11	95027-06030	BOLT, FLANGE	4	4	4	
12	91317-06110	BOLT	1	1	1	
13	5UM-15423-00	COVER 2	1	1	1	
14	93210-60426	O-RING	1	1	1	
15	95027-06016	BOLT, FLANGE	3	3	3	
16	5NL-15431-10	COVER, CRANKCASE 3	1	1	1	
17	93101-14164	OIL SEAL	1	1	1	
18	90201-15701	WASHER, PLATE (T=1.0)	1	1	1	
19	99009-22500	CIRCLIP	1	1	1	
20	5NL-15462-00	GASKET, CRANKCASE COVER 3	1	1	1	
21	91812-16001	PIN, DOWEL	2	2	2	
22	95027-06035	BOLT, FLANGE	8	8	8	
23	5NL-12564-00	PIPE, WATER	2	2	2	
24	93210-16716	O-RING	2	2	2	
25	5NL-15415-00	COVER 1	1	1	1	
26	95027-06025	BOLT, FLANGE	4	4	4	
27	95027-06035	BOLT, FLANGE	1	1	1	

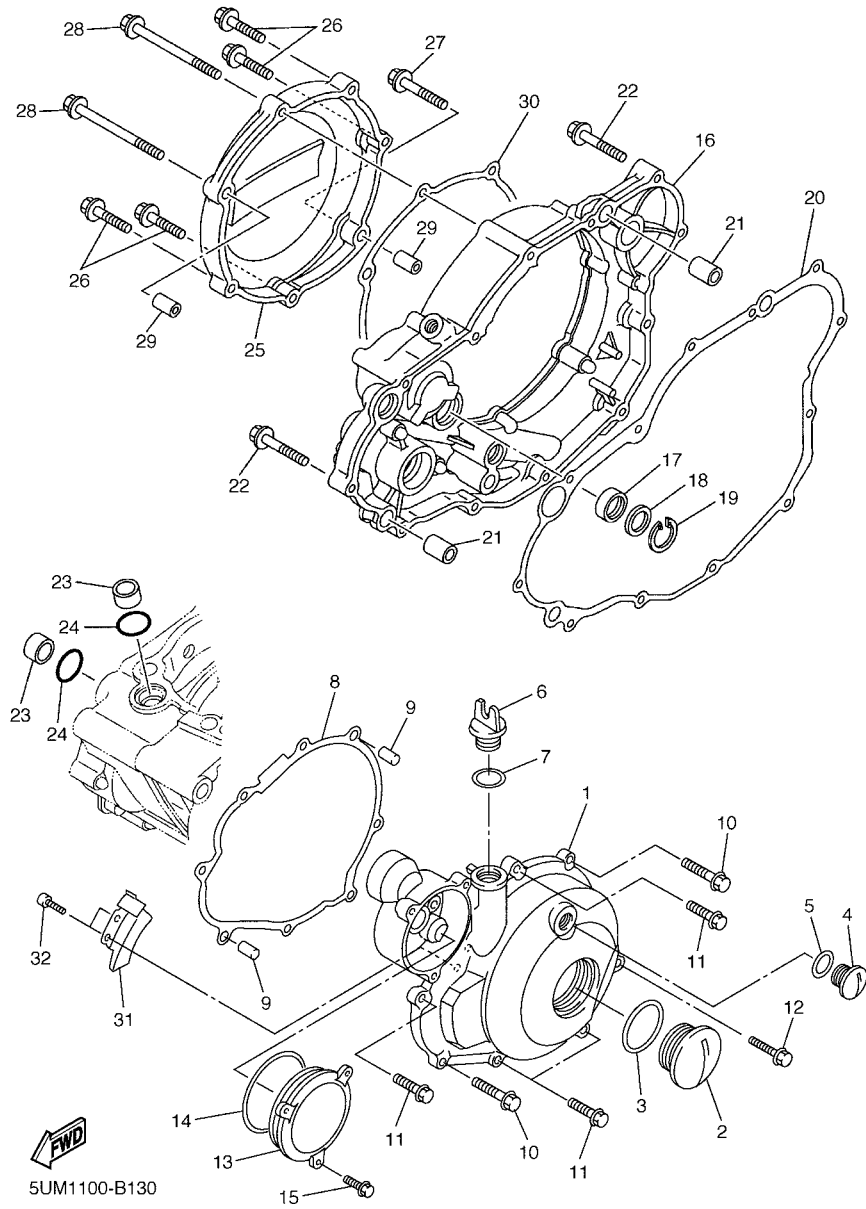
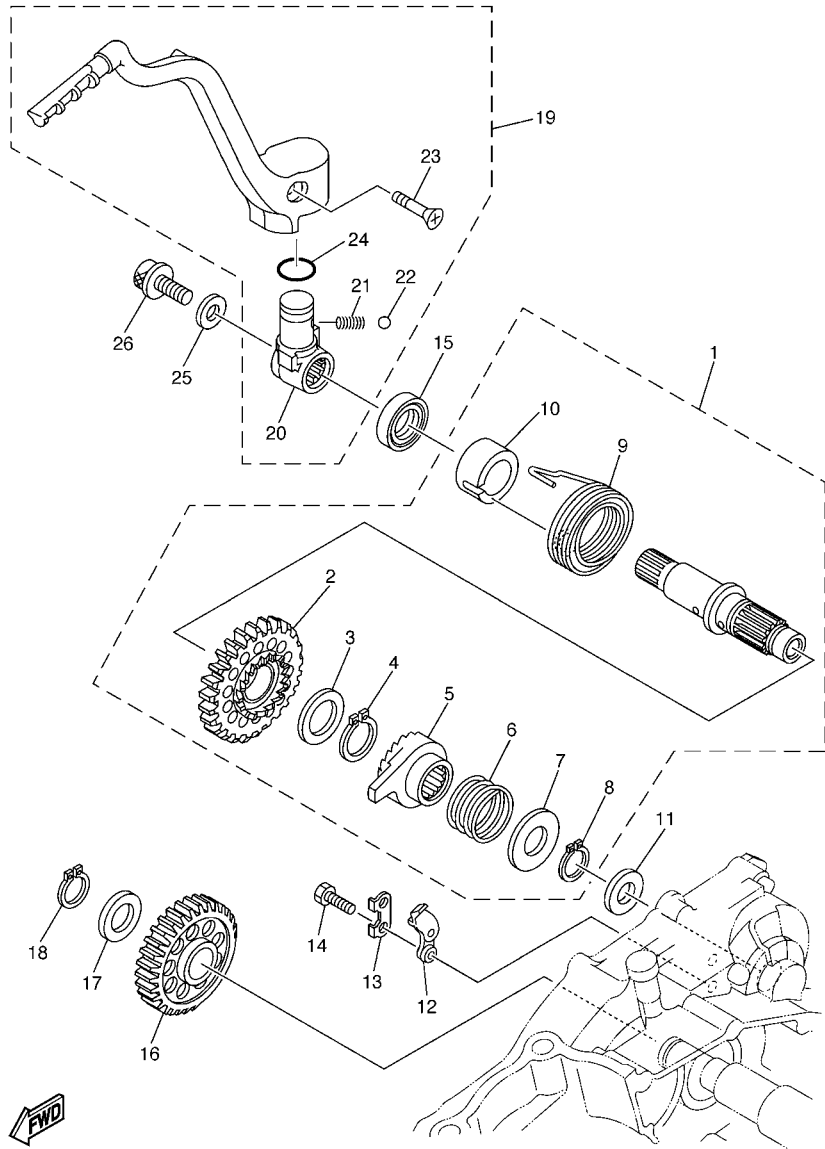


FIG. 13 CRANKCASE COVER 1

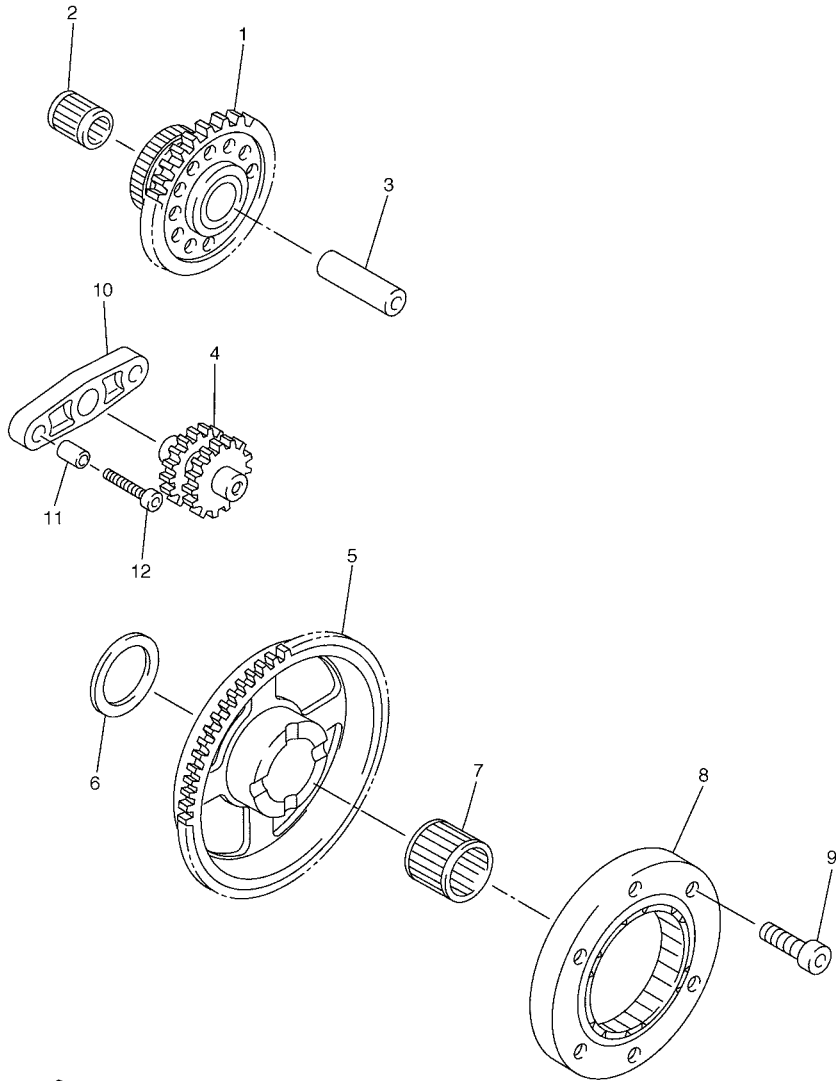
REF. NO.	PART NO.	DESCRIPTION	5UM1	5UM2	5UM4	REMARKS
28	90105-065A1	BOLT, FLANGE	2	2	2	
29	99530-08016	PIN, DOWEL	2	2	2	
30	5NL-15453-00	GASKET 1	1	1	1	
31	5UM-81528-00	CLAMP 1	1	1	1	
32	91317-05012	BOLT	2	2	2	
-----						
-----						
-----						
-----						
-----						
-----						
-----						
-----						
-----						
-----						

FIG. 14 STARTER



5SG1100-2140

REF. NO.	PART NO.	DESCRIPTION	SUM1	SUM2	SUM4	REMARKS
1	5NL-15601-00	KICK SHAFT ASSY	1	1	1	
2	5NL-15641-00	.GEAR, KICK	1	1	1	
3	90201-20685	.WASHER, PLATE (T=0.5)	1	1	1	
4	93410-20038	.CIRCLIP	1	1	1	
5	4GY-15671-00	.WHEEL, RATCHET	1	1	1	
6	90501-16016	.SPRING, COMPRESSION	1	1	1	
7	90201-167P7	.WASHER, PLATE	1	1	1	
8	99009-16400	.CIRCLIP	1	1	1	
9	90508-30743	.SPRING, TORSION	1	1	1	
10	5NL-15664-00	.GUIDE, SPRING	1	1	1	
11	90201-162H4	WASHER, PLATE	1	1	1	
12	5SG-15668-00	STOPPER	1	1	1	
13	214-15686-00	WASHER, LOCK	1	1	1	
14	90101-06001	BOLT	2	2	2	
15	93102-18278	OIL SEAL	1	1	1	
16	5NL-15651-00	GEAR, KICK IDLE	1	1	1	
17	90201-177G4	WASHER, PLATE	1	1	1	
18	99009-17400	CIRCLIP	1	1	1	
19	5NL-15620-01	KICK CRANK ASSY	1	1	1	
20	5NX-15621-01	.BOSS, KICK CRANK	1	1	1	
21	90501-12081	.SPRING, COMPRESSION	1	1	1	
22	93507-32009	.BALL	1	1	1	
23	90152-06010	.SCREW, COUNTERSUNK	1	1	1	
24	93210-17570	.O-RING	1	1	1	
25	90201-08326	WASHER, PLATE	1	1	1	
26	90109-082G0	BOLT	1	1	1	



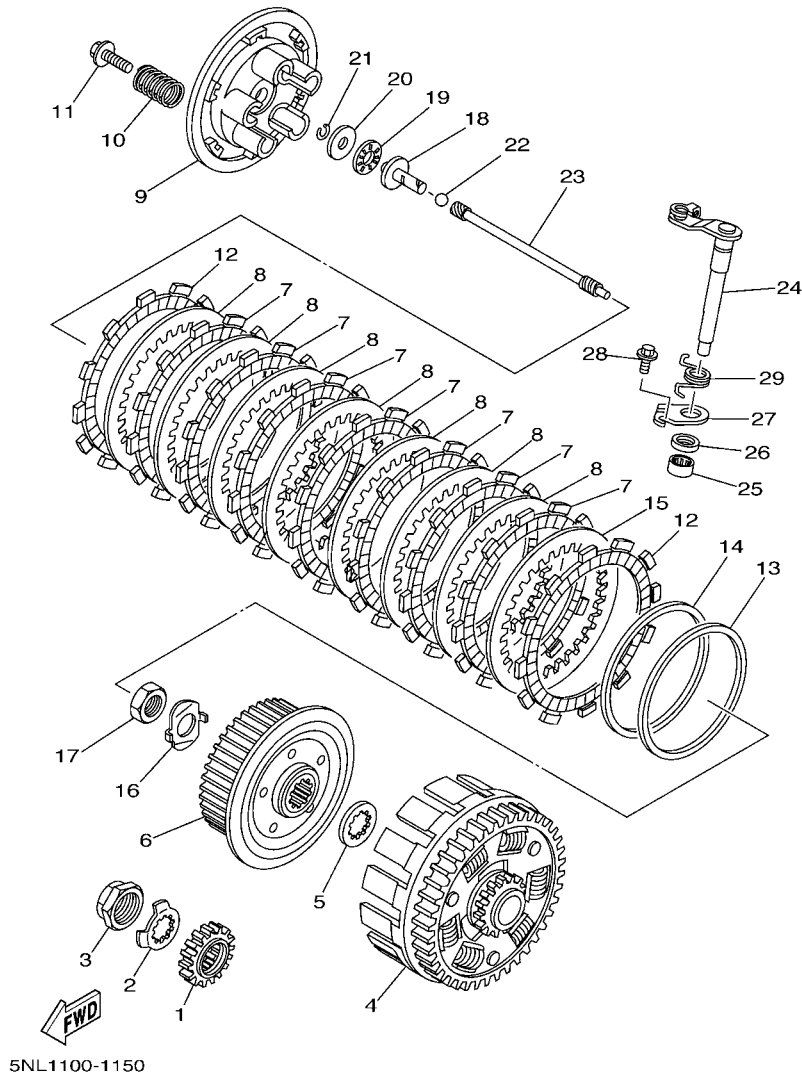
5UM1100-B150

FIG. 15 STARTER CLUTCH

REF. NO.	PART NO.	DESCRIPTION	5UM1	5UM2	5UM4	REMARKS
1	5UM-15512-00	GEAR, IDLER 1	1	1	1	
2	93310-212R6	BEARING	1	1	1	
3	4GY-15521-00	SHAFT 1	1	1	1	
4	5UM-15517-00	GEAR, IDLER 2	1	1	1	
5	5UM-15515-00	GEAR 3	1	1	1	
6	90201-20014	WASHER, PLATE	1	1	1	
7	93310-42038	BEARING	1	1	1	
8	5TJ-15590-00	STARTER ONE-WAY ASSY	1	1	1	
9	90110-06004	BOLT, HEXAGON SOCKET HEAD	6	6	6	
10	5UM-15532-00	PLATE, IDLE GEAR	1	1	1	
11	99530-08012	PIN, DOWEL	2	2	2	
12	91317-06025	BOLT	2	2	2	

**C10**

FIG. 16 CLUTCH



REF. NO.	PART NO.	DESCRIPTION	SUM1	SUM2	SUM4	REMARKS
1	5NL-16111-00	GEAR, PRIMARY DRIVE	1	1	1	
2	90215-20003	WASHER, LOCK	1	1	1	
3	90179-18001	NUT	1	1	1	
4	5NL-16150-10	PRIMARY DRIVEN GEAR COMP.	1	1	1	
5	5NL-16154-00	PLATE, THRUST 1	1	1	1	
6	5NL-16371-00	BOSS, CLUTCH	1	1	1	
7	5DH-16321-00	PLATE, FRICTION	7	7	7	
8	5NL-16325-00	PLATE, CLUTCH 2	7	7	7	
9	5HD-16351-00	PLATE, PRESSURE 1	1	1	1	
10	90501-220A0	SPRING, COMPRESSION	5	5	5	
11	90159-06092	SCREW, WITH WASHER	5	5	5	
12	3XJ-16321-00	PLATE, FRICTION	2	2	2	
13	5NL-16384-00	PLATE, SEAT	1	1	1	
14	5NL-16383-10	SPRING, CLUTCH BOSS	1	1	1	
15	5NL-16325-10	PLATE, CLUTCH 2	1	1	1	
16	90215-16289	WASHER, LOCK	1	1	1	
17	90170-16326	NUT	1	1	1	
18	5NL-16356-00	ROD, PUSH 1	1	1	1	
19	93340-21008	BEARING	1	1	1	
20	90201-080H1	WASHER, PLATE	1	1	1	
21	93440-07182	CIRCLIP	1	1	1	
22	93511-32027	BALL	1	1	1	
23	5NL-16357-00	ROD, PUSH 2	1	1	1	
24	5JG-16381-00	PUSH LEVER COMP.	1	1	1	
25	93317-11287	BEARING	1	1	1	
26	93102-12224	OIL SEAL	1	1	1	
27	4JT-16384-00	PLATE, SEAT	1	1	1	

FIG. 16 CLUTCH

REF. NO.	PART NO.	DESCRIPTION	SUM1	SUM2	SUM4	REMARKS
28	95027-06010	BOLT, FLANGE	1	1	1	
29	90508-142B5	SPRING, TORSION	1	1	1	
-----						
-----						
-----						
-----						
-----						
-----						
-----						
-----						
-----						

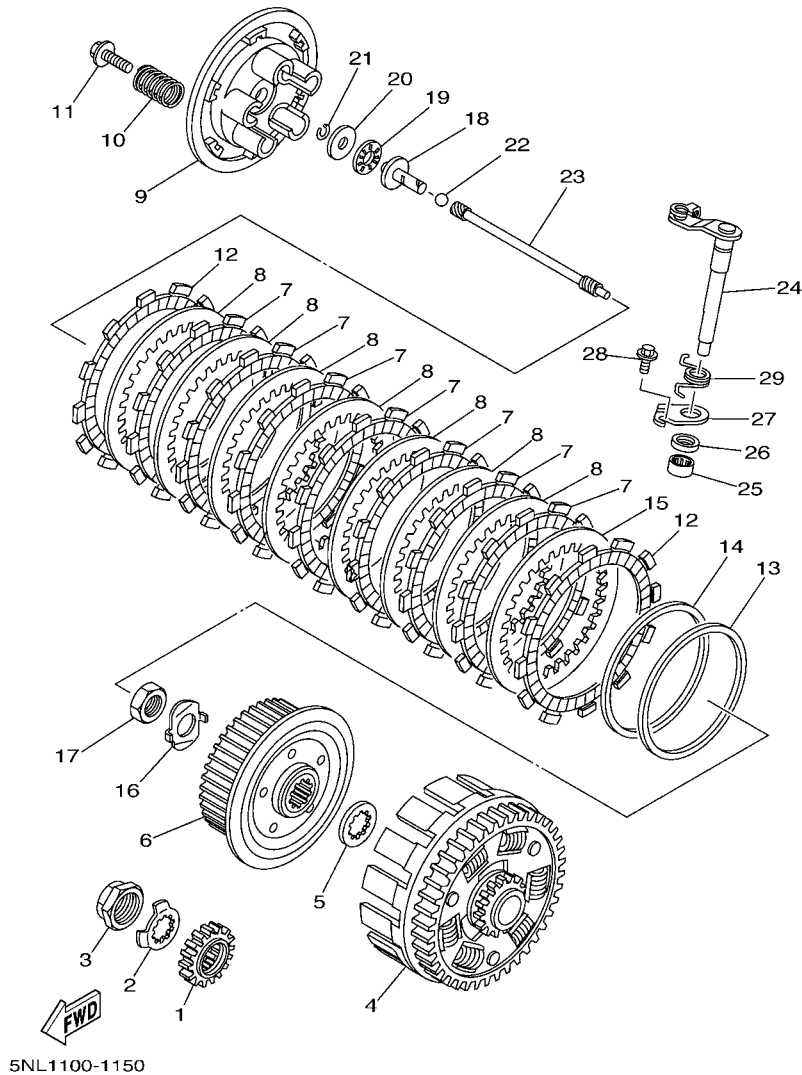
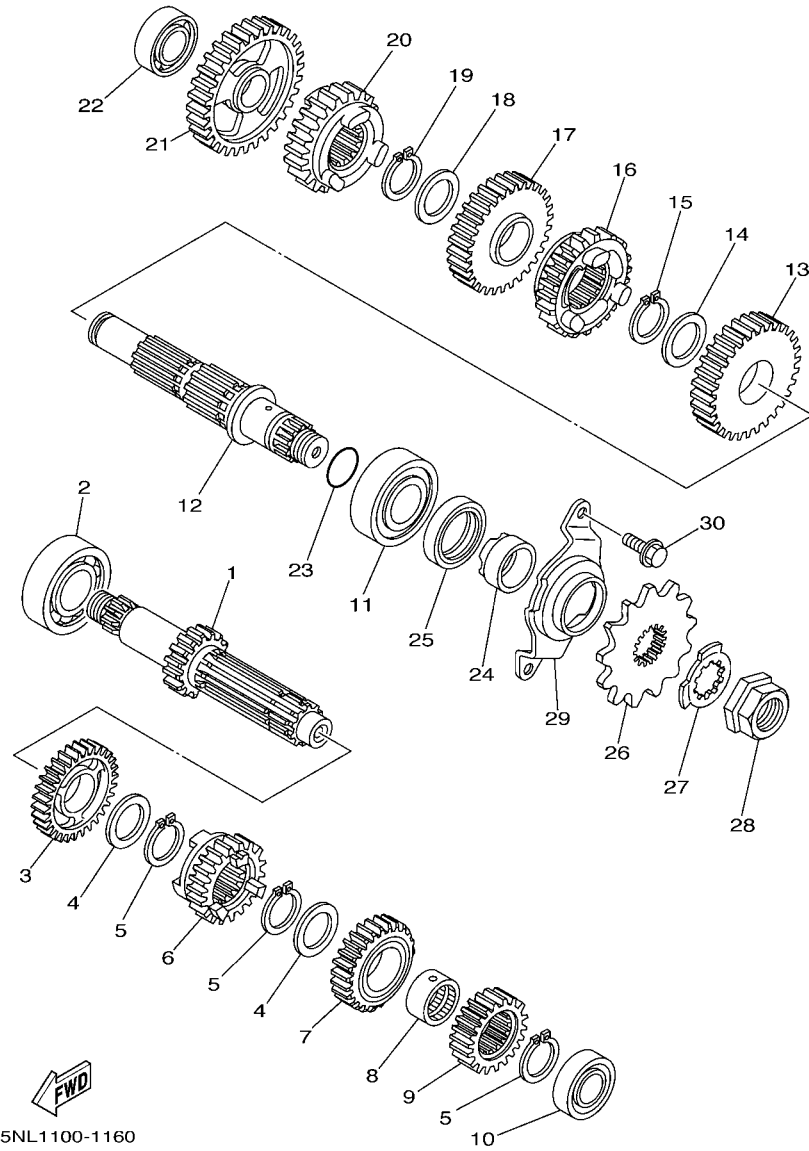


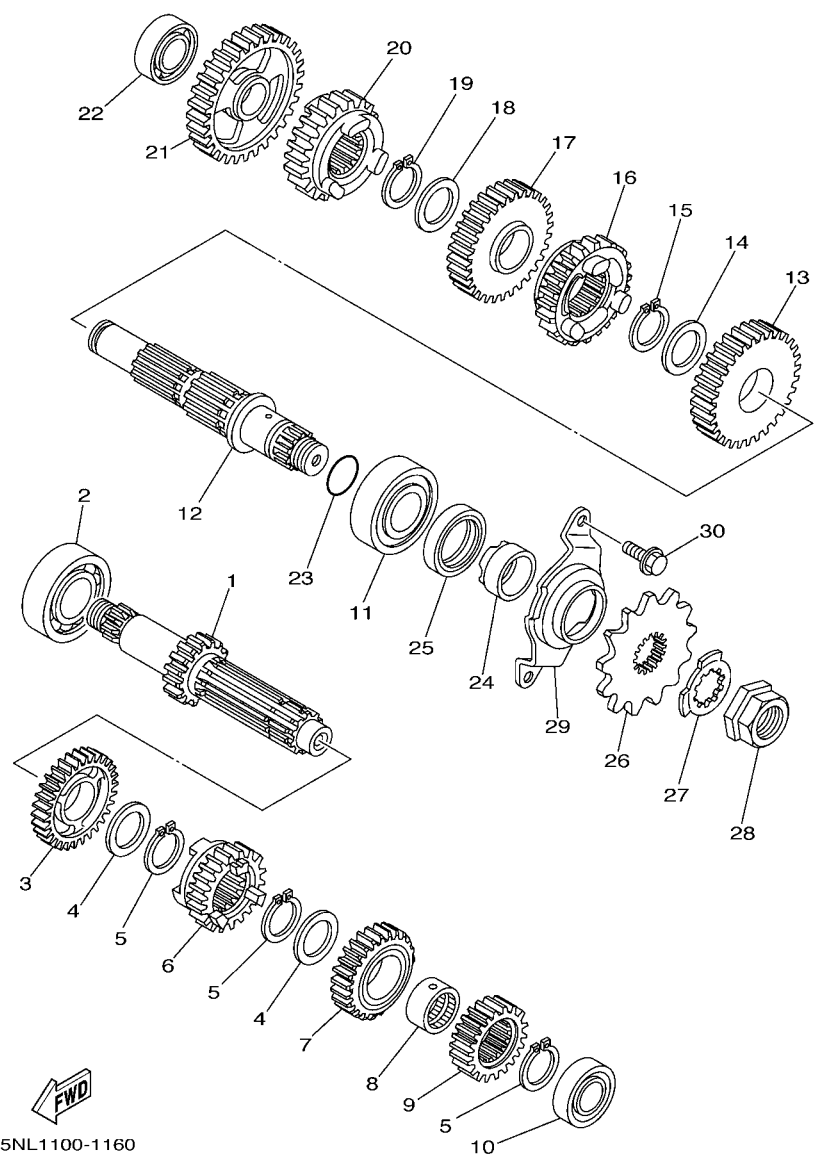


FIG. 17 TRANSMISSION



5NL1100-1160

REF. NO.	PART NO.	DESCRIPTION	SUM1	SUM2	SUM4	REMARKS
1	5PH-17411-10	AXLE, MAIN (13T)	1	1	1	
2	93306-20447	BEARING	1	1	1	
3	5PH-17151-00	GEAR,5TH PINION (27T)	1	1	1	
4	90209-20008	WASHER	2	2	2	
5	93410-22039	CIRCLIP	3	3	3	
6	5PH-17131-00	GEAR,3RD PINION (21T)	1	1	1	
7	5PH-17141-01	GEAR, 4TH PINION (24T)	1	1	1	
8	90387-20006	COLLAR	1	1	1	
9	5NL-17121-00	GEAR, 2ND PINION (16T)	1	1	1	
10	93306-00320	BEARING	1	1	1	
11	93306-27208	BEARING	1	1	1	
12	5NL-17402-00	DRIVE AXLE ASSY	1	1	1	
13	5NL-17221-00	GEAR, 2ND WHEEL (28T)	1	1	1	
14	90209-23012	WASHER	1	1	1	
15	93410-26067	CIRCLIP	1	1	1	
16	5PH-17241-01	GEAR, 4TH WHEEL (25T)	1	1	1	
17	5PH-17231-00	GEAR,3RD WHEEL (28T)	1	1	1	
18	90209-20008	WASHER	1	1	1	
19	93410-22039	CIRCLIP	1	1	1	
20	5PH-17251-00	GEAR,5TH WHEEL (22T)	1	1	1	
21	5PH-17211-00	GEAR,1ST WHEEL (31T)	1	1	1	
22	93306-00317	BEARING	1	1	1	
23	93210-196A4	O-RING	1	1	1	
24	90387-22001	COLLAR	1	1	1	
25	93102-28008	OIL SEAL	1	1	1	
26	9383B-13218	SPROCKET, DRIVE (13T)	1	1	1	STD
	9383B-14222	SPROCKET, DRIVE (14T)			1	AP FOR OCE

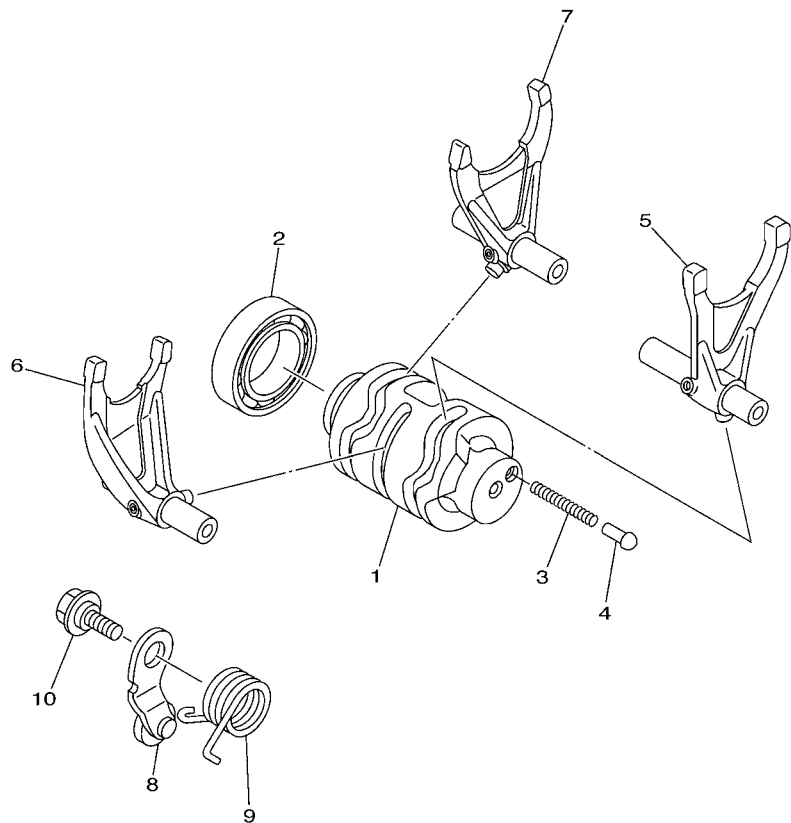


5NL1100-1160

FIG. 17 TRANSMISSION

REF. NO.	PART NO.	DESCRIPTION	SUM1	SUM2	SUM4	REMARKS
27	90215-20003	WASHER, LOCK	1	1	1	
28	90179-18001	NUT	1	1	1	
29	5NL-17471-00	PLATE, COVER	1	1	1	
30	90105-06553	BOLT, FLANGE	2	2	2	
-----						
-----						
-----						
-----						
-----						
-----						
-----						
-----						
-----						

**FIG. 18 SHIFT CAM. FORK**

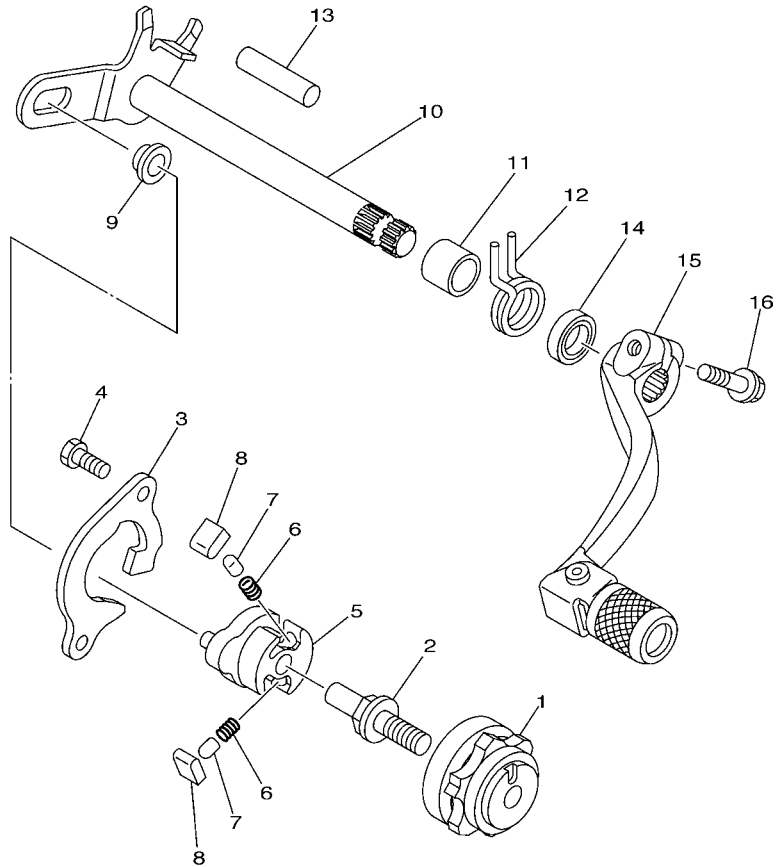


REF. NO.	PART NO.	DESCRIPTION	SUM1	SUM2	SUM4	REMARKS
1	5NL-18541-00	CAM, SHIFT	1	1	1	
2	93306-90501	BEARING	1	1	1	
3	90501-06022	SPRING, COMPRESSION	1	1	1	
4	4BA-18542-00	POINT, NEUTRAL	1	1	1	
5	5NL-18501-00	FORK, SHIFT 1	1	1	1	
6	5NL-18502-00	FORK, SHIFT 2	1	1	1	
7	5NL-18503-00	FORK, SHIFT 3	1	1	1	
8	3XK-18140-00	STOPPER LEVER ASSY	1	1	1	
9	90508-26561	SPRING, TORSION	1	1	1	
10	90109-063F8	BOLT	1	1	1	



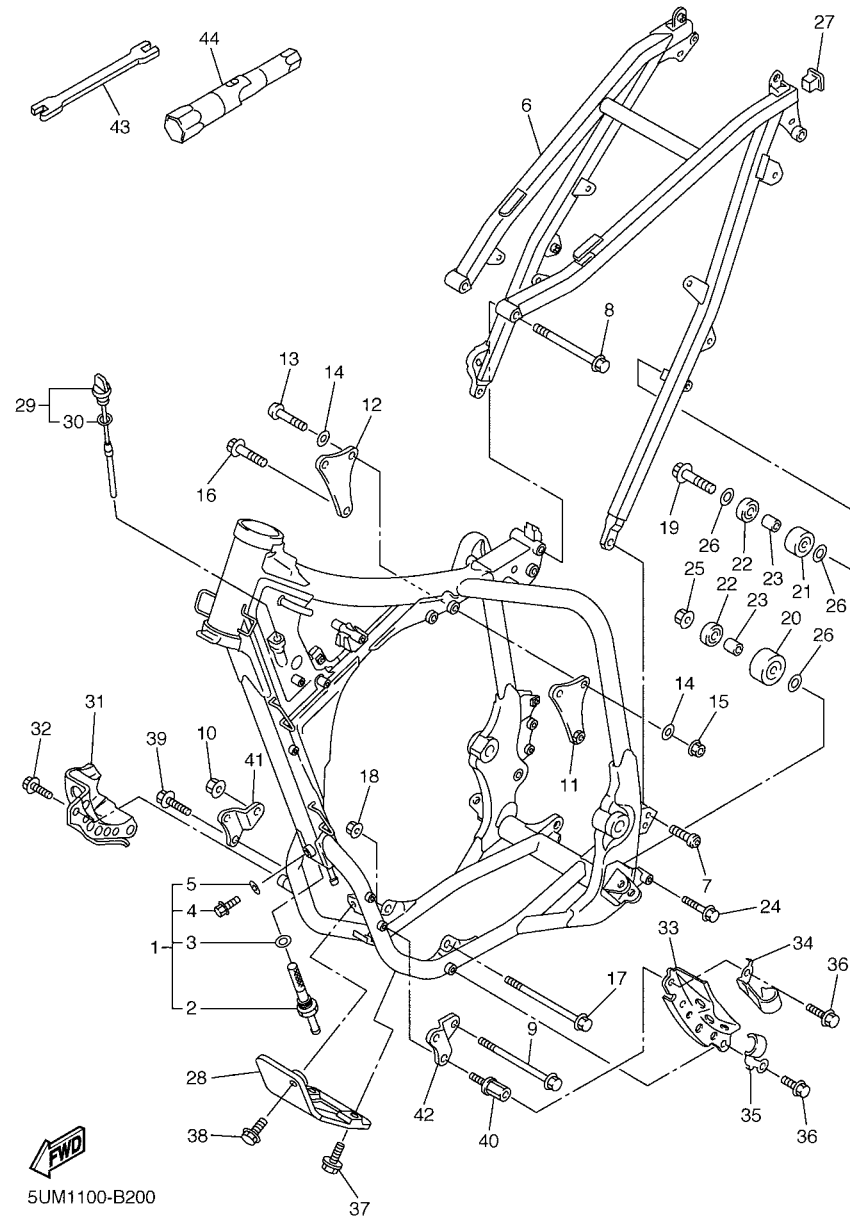
5NL1100-1170

**FIG. 19 SHIFT SHAFT**



5NL1100-1180

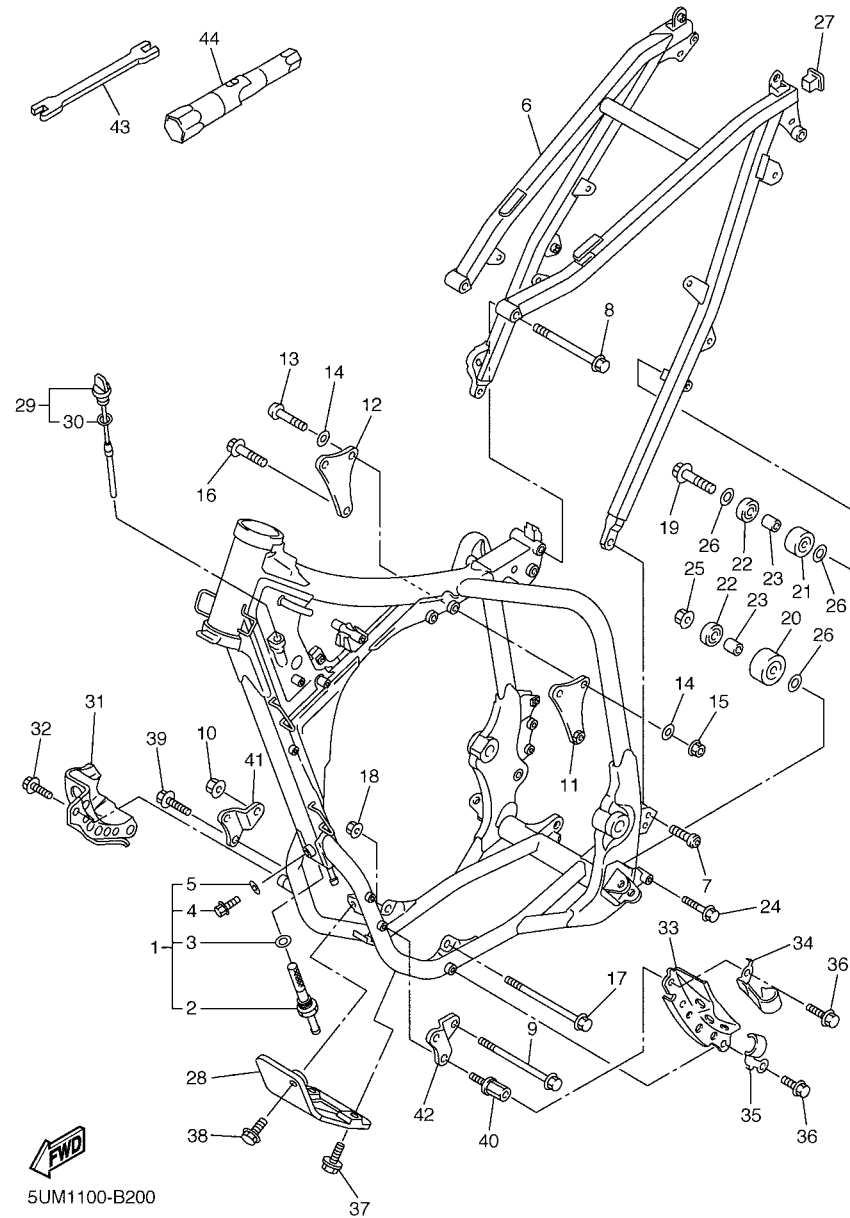
REF. NO.	PART NO.	DESCRIPTION	SUM1	SUM2	SUM4	REMARKS
1	4EW-18185-00	SEGMENT	1	1	1	
2	3XJ-18173-00	PIN, SHIFT	1	1	1	
3	5BE-18172-00	GUIDE, SHIFT	1	1	1	
4	90101-06664	BOLT	2	2	2	
5	5LP-18122-00	LEVER, SHIFT 2	1	1	1	
6	90501-052G5	SPRING, COMPRESSION	2	2	2	
7	3XJ-18184-00	PIN, PAWL	2	2	2	
8	3XJ-18182-00	PAWL, SHIFTER	2	2	2	
9	3XJ-18178-00	ROLLER, SHIFT LEVER	1	1	1	
10	5UL-18101-00	SHIFT SHAFT ASSY	1	1	1	
11	90387-124F4	COLLAR	1	1	1	
12	90508-291A8	SPRING, TORSION	1	1	1	
13	93608-33002	PIN, DOWEL	1	1	1	
14	93102-12224	OIL SEAL	1	1	1	
15	5UL-18110-00	SHIFT PEDAL ASSY	1	1	1	
16	95027-06020	BOLT, FLANGE	1	1	1	



5UM1100-B200

FIG. 20 FRAME

REF. NO.	PART NO.	DESCRIPTION	SUM1	SUM2	SUM4	REMARKS
1	5UM-21101-00	FRONT FRAME COMP.	1	1	1	
2	5TA-21756-00	.NET, FILTER	1	1	1	
3	90201-145M4	.WASHER, PLATE	1	1	1	
4	95827-08012	.BOLT, FLANGE	1	1	1	
5	90430-08119	.GASKET	1	1	1	
6	5TJ-21190-00	REAR FRAME COMP.	1	1	1	
7	90110-08096	BOLT, HEXAGON SOCKET HEAD	2	2	2	
8	90105-08120	BOLT, FLANGE	1	1	1	
9	95817-10130	BOLT, FLANGE	1	1	1	
10	90185-10002	NUT, SELF-LOCKING	1	1	1	
11	5NL-21425-00	BRACKET, REAR UPPER 1	1	1	1	
12	5NL-21425-10	BRACKET, REAR UPPER 1	1	1	1	
13	92017-08055	BOLT, BUTTON HEAD	2	2	2	
14	90201-086P8	WASHER, PLATE	4	4	4	
15	90185-08169	NUT, SELF-LOCKING	2	2	2	
16	95817-10050	BOLT, FLANGE	1	1	1	
17	90105-10733	BOLT, FLANGE	1	1	1	
18	90185-10002	NUT, SELF-LOCKING	1	1	1	
19	95027-08040	BOLT, FLANGE	1	1	1	
20	3JD-22178-10	TENSIONER	1	1	1	
21	4EW-22178-00	TENSIONER	1	1	1	
22	93300-60804	BEARING	2	2	2	
23	90387-086N4	COLLAR	2	2	2	
24	95027-08065	BOLT, FLANGE	1	1	1	
25	95707-08500	NUT, FLANGE	1	1	1	
26	90201-086P8	WASHER, PLATE	3	3	3	
27	90338-18176	PLUG	1	1	1	

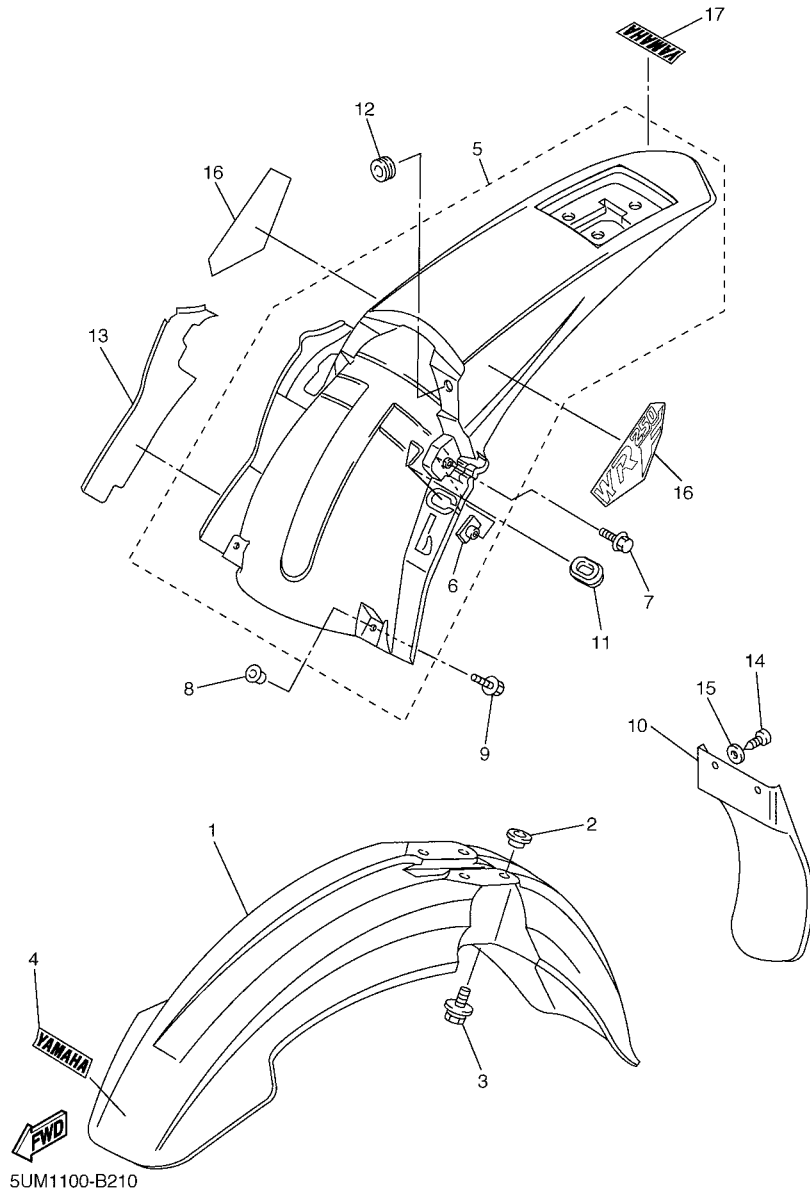


5UM1100-B200

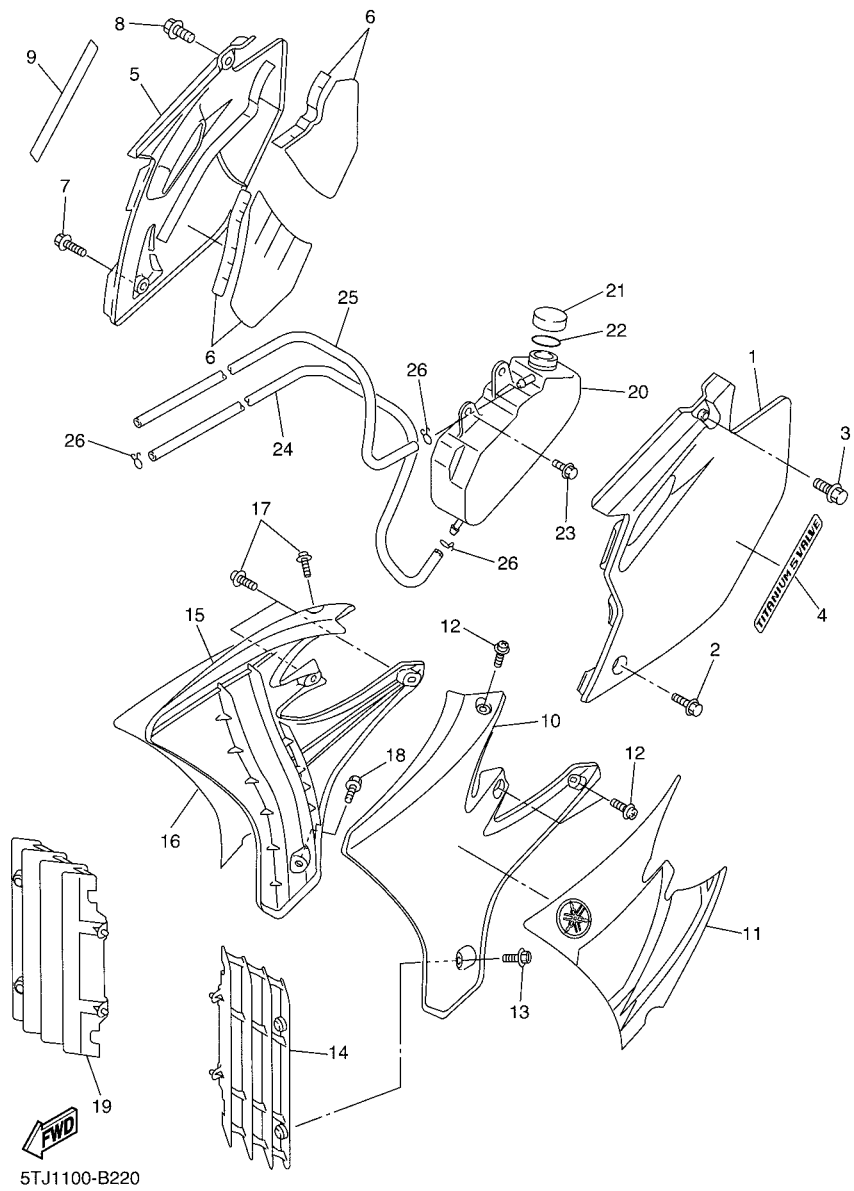
FIG. 20 FRAME

REF. NO.	PART NO.	DESCRIPTION	SUM1	SUM2	SUM4	REMARKS
28	5NL-21471-01	PROTECTOR, ENGINE	1	1	1	
29	5UM-15362-00	PLUG, OIL LEVEL	1	1	1	
30	93210-08001	.O-RING	1	1	1	
31	5NL-2147A-00	GUARD, ENGINE 1	1	1	1	
32	95027-08012	BOLT, FLANGE	2	2	2	
33	5UM-2147A-00	GUARD, ENGINE 1	1	1	1	
34	5TJ-21338-00	CLAMP	1	1	1	
35	5NG-21338-00	CLAMP	1	1	1	
36	95027-08012	BOLT, FLANGE	2	2	2	
37	95027-06012	BOLT, FLANGE	2	2	2	
38	90119-06001	BOLT, WITH WASHER	1	1	1	
39	95817-08016	BOLT, FLANGE	3	3	3	
40	5PH-21481-00	BOLT, ENGINE MOUNTING 1	1	1	1	
41	5UL-21417-00	BRACKET, FRONT LOWER 1	1	1	1	
42	5UL-21417-10	BRACKET, FRONT LOWER 1	1	1	1	
43	5ET-28166-00	WRENCH, HEXAGON	1	1	1	
44	5TA-2814F-00	BOX, SPARK PLUG	1	1	1	

FIG. 21 FENDER



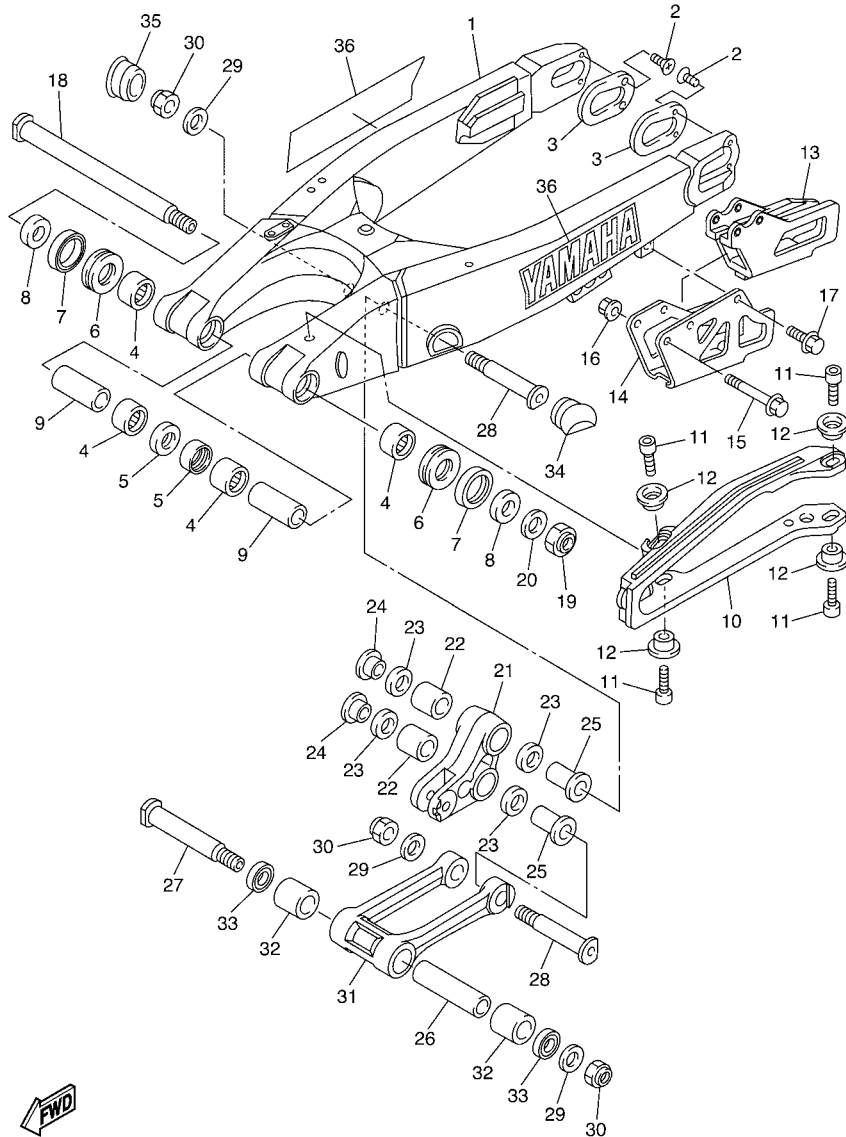
REF. NO.	PART NO.	DESCRIPTION	SUM1	SUM2	SUM4	REMARKS
1	5HD-21511-00	FENDER, FRONT	1	1	1	
2	3JD-21748-00	COLLAR	4	4	4	
3	90119-06096	BOLT, WITH WASHER	4	4	4	
4	4ES-2153E-01	EMBLEM, YAMAHA	1	1	1	
5	5TJ-21610-00	REAR FENDER COMP.	1	1	1	
6	5TA-21635-00	.NUT, REAR FENDER	2	2	2	
7	90105-06154	BOLT, FLANGE	2	2	2	
8	90387-06009	COLLAR	2	2	2	
9	90119-06225	BOLT, WITH WASHER	2	2	2	
10	5TA-21642-00	GUARD, FLAP	1	1	1	
11	90480-01512	GROMMET	1	1	1	
12	90480-14532	GROMMET	1	1	1	
13	5TJ-2174T-00	INSULATOR, SIDE COVER 2	1	1	1	
14	97707-60016	SCREW, TAPPING	2	2	2	
15	90201-06557	WASHER, PLATE	2	2	2	
16	5PH-2163G-50	EMBLEM 1	2	2	2	
17	4ES-2153E-01	EMBLEM, YAMAHA	1	1	1	



**FIG. 22 SIDE COVER**

REF. NO.	PART NO.	DESCRIPTION	SUM1	SUM2	SUM4	REMARKS
1	5TJ-21711-00	COVER, SIDE 1	1	1	1	
2	95827-06016	BOLT, FLANGE	1	1	1	
3	90119-08238	BOLT, WITH WASHER	1	1	1	
4	5JG-21781-50	EMBLEM 1	1	1	1	
5	5TJ-21721-00	COVER, SIDE 2	1	1	1	
6	5TJ-2174A-00	INSULATOR, SIDE COVER	1	1	1	
7	95827-06016	BOLT, FLANGE	1	1	1	
8	90119-08238	BOLT, WITH WASHER	1	1	1	
9	5JG-21781-50	EMBLEM 1	1	1	1	
10	5TJ-21730-00	SIDE COVER ASSY 3	1	1	1	
11	5TJ-2173E-00	GRAPHIC 1	1	1	1	
12	90159-06182	SCREW, WITH WASHER	3	3	3	
13	90159-06078	SCREW, WITH WASHER	1	1	1	
14	5PH-2172A-10	PANEL 1	1	1	1	
15	5TJ-21740-00	SIDE COVER ASSY 4	1	1	1	
16	5TJ-2173F-00	GRAPHIC 2	1	1	1	
17	90159-06182	SCREW, WITH WASHER	3	3	3	
18	90159-06078	SCREW, WITH WASHER	1	1	1	
19	5PH-2172A-10	PANEL 1	1	1	1	
20	5GS-21871-00	TANK, RECOVERY	1	1	1	
21	26H-21875-00	CAP	1	1	1	
22	26H-21874-00	GASKET	1	1	1	
23	90119-06051	BOLT, WITH WASHER	2	2	2	
24	91A20-05140	TUBE, FLEXIBLE VINYL	1	1	1	
25	91A21-05125	TUBE, FLEXIBLE	1	1	1	
26	90467-09006	CLIP	3	3	3	

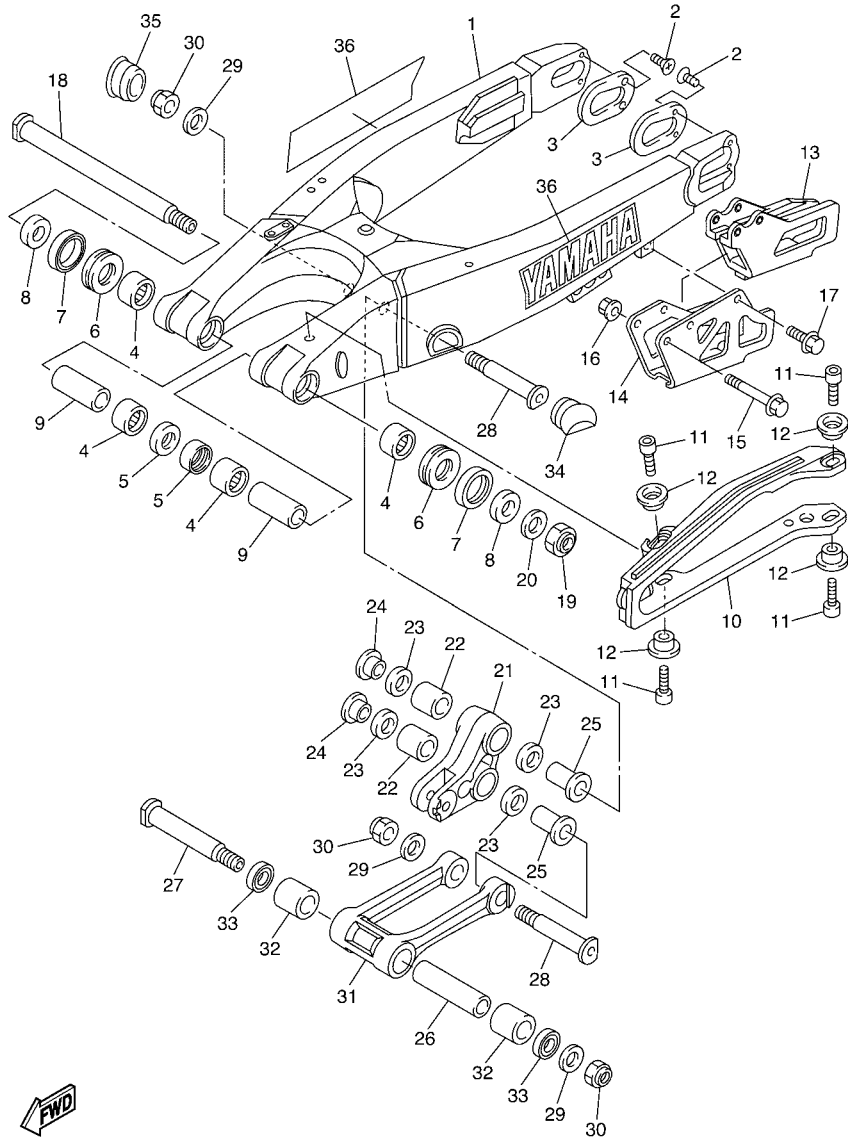




5TA1100-B220

FIG. 23 REAR ARM

REF. NO.	PART NO.	DESCRIPTION	SUM1	SUM2	SUM4	REMARKS
1	5UN-22110-00	REAR ARM COMP.	1	1	1	
2	90151-04048	SCREW, COUNTERSUNK	4	4	4	
3	5UN-22355-00	PATCH	2	2	2	
4	93317-22262	BEARING	4	4	4	
5	93106-22019	OIL SEAL (DC 22-28-8)	2	2	2	
6	93342-22217	BEARING	2	2	2	
7	93109-28043	OIL SEAL	2	2	2	
8	90387-18005	COLLAR	2	2	2	
9	90387-18004	COLLAR	2	2	2	
10	5UN-22151-00	SEAL, GUARD	1	1	1	
11	91317-05008	BOLT	4	4	4	
12	5JG-22156-00	WASHER, PLATE	4	4	4	
13	5UM-22199-00	SUPPORT, CHAIN	1	1	1	
14	5UM-22128-00	COVER, THRUST 1	1	1	1	
15	95027-06050	BOLT, FLANGE	2	2	2	
16	90179-06568	NUT	2	2	2	
17	95027-06010	BOLT, FLANGE	1	1	1	
18	5NY-22141-01	SHAFT, PIVOT	1	1	1	
19	90185-16127	NUT, SELF-LOCKING	1	1	1	
20	90201-160F6	WASHER, PLATE	1	1	1	
21	5NY-2217A-00	ARM, RELAY	1	1	1	
22	93315-32056	BEARING	2	2	2	
23	93109-20076	OIL SEAL	4	4	4	
24	90387-16005	COLLAR	2	2	2	
25	90387-16007	COLLAR	2	2	2	
26	90387-167Y9	COLLAR	1	1	1	
27	5NY-22121-00	SHAFT 1	1	1	1	

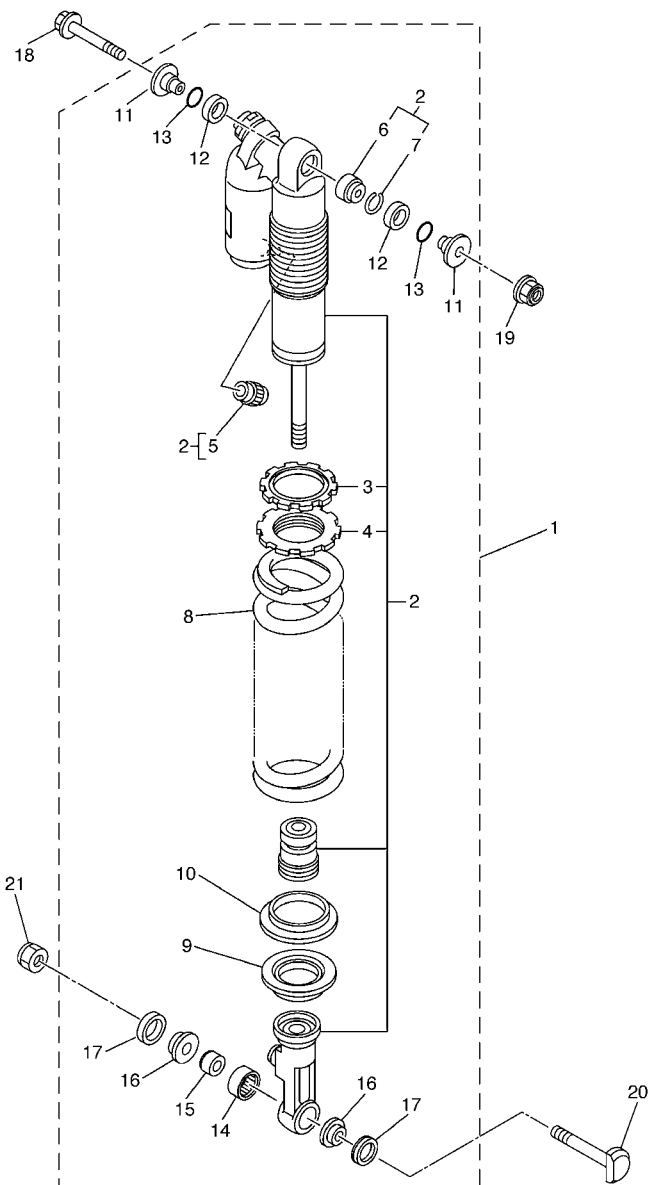


5TA1100-B220

FIG. 23 REAR ARM

REF. NO.	PART NO.	DESCRIPTION	SUM1	SUM2	SUM4	REMARKS
28	5NY-22122-00	SHAFT 2	2	2	2	
29	90201-14740	WASHER, PLATE	3	3	3	
30	90185-14007	NUT, SELF-LOCKING	3	3	3	
31	5NY-2217F-00	ROD, CONNECTING 1	1	1	1	
32	93315-32053	BEARING	2	2	2	
33	93109-20076	OIL SEAL	2	2	2	
34	5NY-2135F-00	COVER	1	1	1	
35	5HD-2135F-00	COVER	1	1	1	
36	5UN-2153A-00	EMBLEM, YAMAHA	2	2	2	
-----						
-----						
-----						
-----						
-----						
-----						
-----						

**FIG. 24 REAR SUSPENSION**

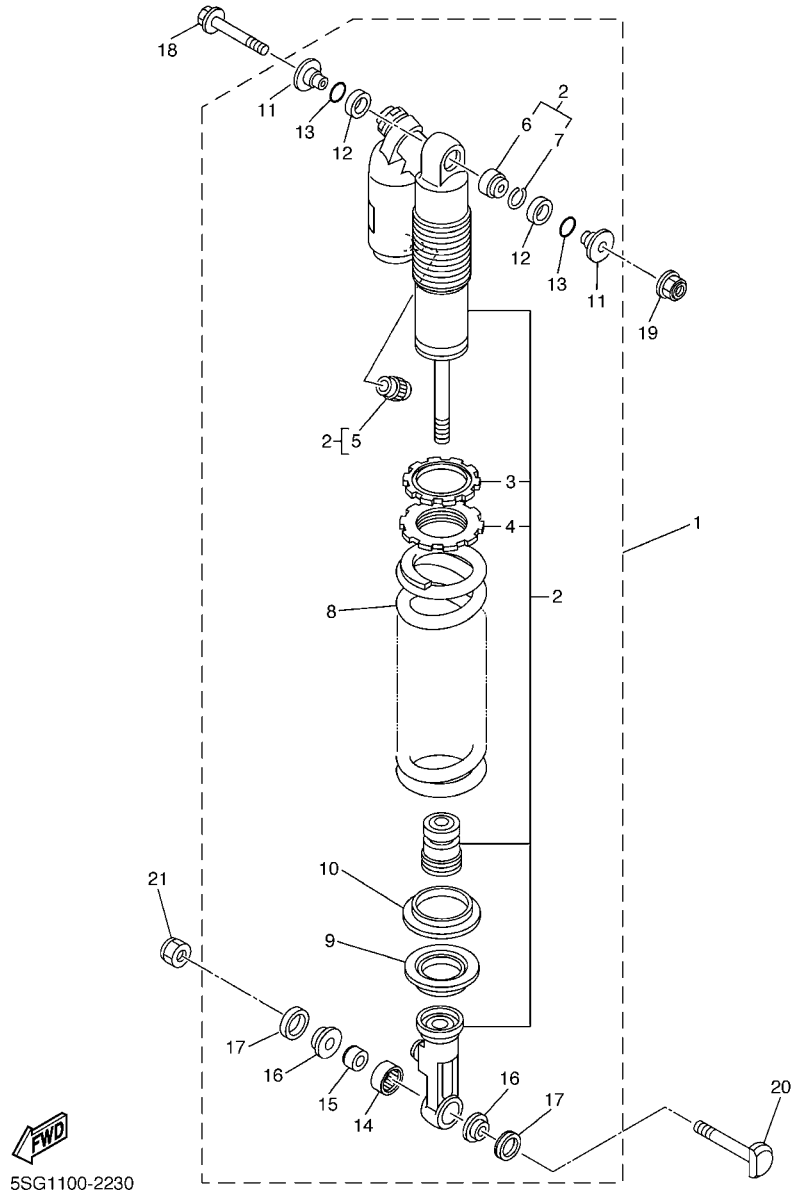


5SG1100-2230

REF. NO.	PART NO.	DESCRIPTION	SUM1	SUM2	SUM4	REMARKS
1	5UM-22210-00	SHOCK ABSORBER ASSY, REAR	1			
	5UM-22210-10	SHOCK ABSORBER ASSY, REAR		1		
	5UM-22210-30	SHOCK ABSORBER ASSY, REAR			1	UR FOR CAN
	5UM-22210-40	SHOCK ABSORBER ASSY, REAR			1	UR FOR OCE,ZAF
2	5UM-22201-00	.DAMPER SUB ASSY	1			
	5UM-22201-10	.DAMPER SUB ASSY		1		
	5UM-22201-30	.DAMPER SUB ASSY			1	UR FOR CAN
	5UM-22201-40	.DAMPER SUB ASSY			1	UR FOR OCE,ZAF
3	3SP-22234-00	..GUIDE, SPRING 3	1	1	1	
4	3SP-22213-00	..SEAT, SPRING UPPER	1	1	1	
5	509-23184-L0	..CAP, AIR VALVE	1	1	1	
6	4JX-22226-00	..BUSH, SHOCK ABSORBER LOWER	1	1	1	
7	5DH-23183-00	..CIRCLIP	1	1	1	
8	5UN-22212-80	.SPRING (K=5.0)	1		1	UR FOR U49,CAN
	5UN-22212-20	.SPRING (K=4.7)		1		
	5UN-22212-40	.SPRING (K=5.1)			1	UR FOR OCE,ZAF
9	5DH-22214-00	.GUIDE, SPRING 1	1	1	1	
10	5MV-22224-00	.GUIDE, SPRING 2	1	1	1	
11	5DH-22253-00	.COLLAR, DISTANCE	2	2	2	
12	3JE-22475-00	.SEAL, DUST	2	2	2	
13	4EW-22474-00	.SEAL, RING	2	2	2	
14	5UN-22176-00	.BEARING	1	1	1	
15	5MV-22184-00	.BUSH	1	1	1	
16	5MV-22253-00	.COLLAR, DISTANCE	2	2	2	
17	5NY-22475-00	.SEAL, DUST	2	2	2	
18	90105-10323	BOLT, FLANGE	1	1	1	
19	95607-10200	NUT, SELF-LOCKING	1	1	1	

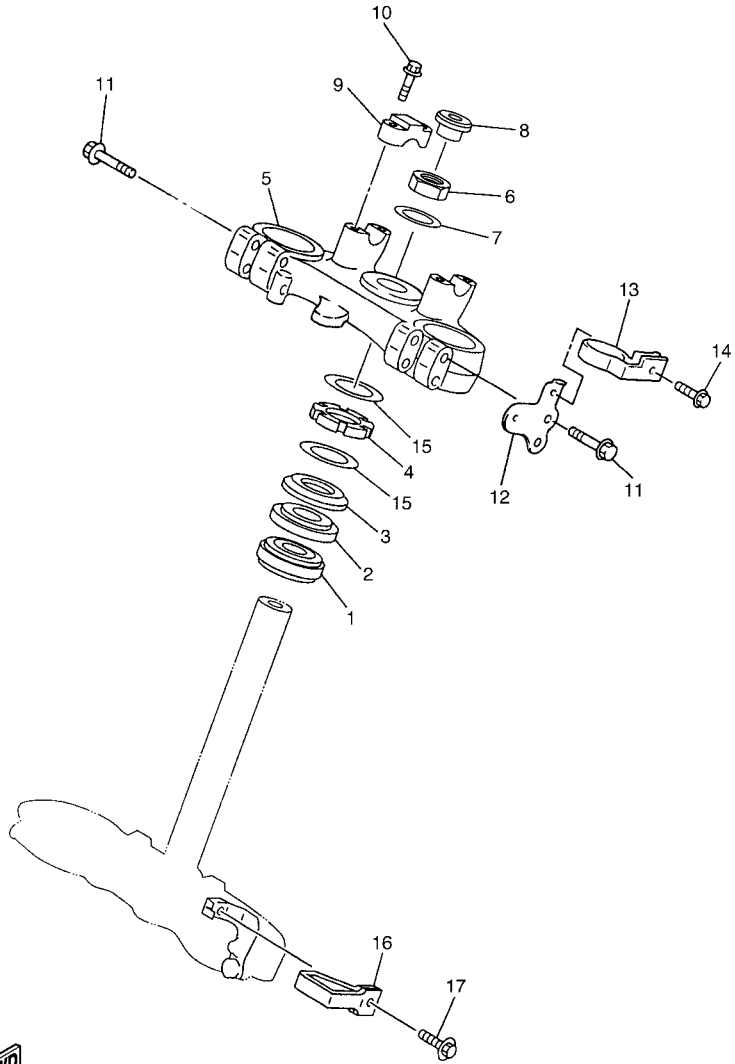
**D9**

**FIG. 24 REAR SUSPENSION**



REF. NO.	PART NO.	DESCRIPTION	SUM1	SUM2	SUM4	REMARKS
20	5NY-22241-00	BOLT 1	1	1	1	
21	90185-10060	NUT, SELF-LOCKING	1	1	1	

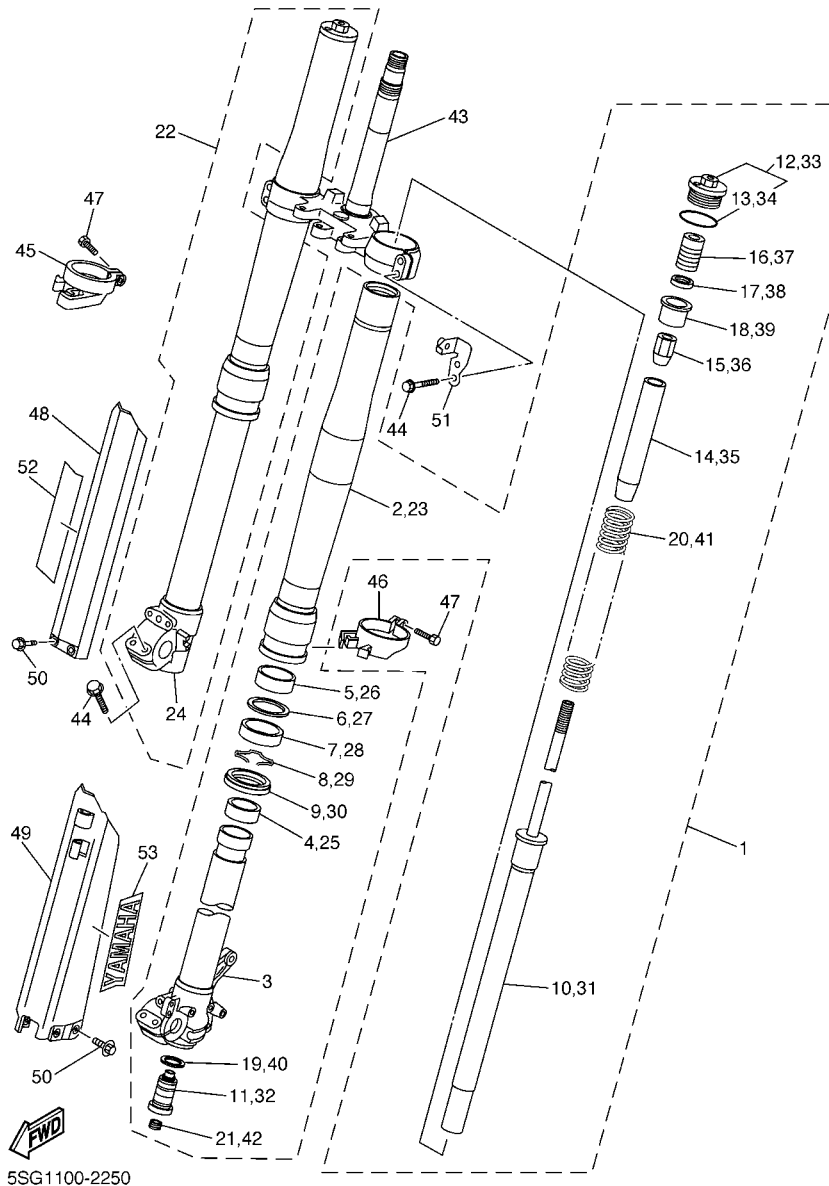
**D10**



5TJ1100-B250

FIG. 25 STEERING

REF. NO.	PART NO.	DESCRIPTION	SUM1	SUM2	SUM4	REMARKS
1	93332-00081	BEARING	1	1	1	
2	93332-00068	BEARING	1	1	1	
3	4EW-23416-00	COVER, BALL RACE 2	1	1	1	
4	90179-28650	NUT	1	1	1	
5	5PH-23435-00	CROWN, HANDLE	1	1	1	
6	90170-24373	NUT	1	1	1	
7	90201-247L2	WASHER, PLATE	1	1	1	
8	5TJ-2319U-00	CAP	1	1	1	
9	3SP-23441-00	HOLDER, HANDLE UPPER	2	2	2	
10	95027-08035	BOLT, FLANGE	4	4	4	
11	95027-08040	BOLT, FLANGE	4	4	4	
12	5TJ-2831V-00	STAY, HEAD LIGHT 1	1	1	1	
13	4GY-23389-00	GUIDE, CABLE	1	1	1	
14	90105-05361	BOLT, FLANGE	1	1	1	
15	90201-286K9	WASHER, PLATE	2	2	2	
16	4DA-23389-00	GUIDE, CABLE	1	1	1	
17	90119-05071	BOLT, WITH WASHER	1	1	1	



5SG1100-2250

FIG. 26 FRONT FORK

REF. NO.	PART NO.	DESCRIPTION	SUM1	SUM2	SUM4	REMARKS
1	5UM-23102-00	FRONT FORK ASSY (L.H)	1		1	UR FOR U49,CAN
	5UM-23102-10	FRONT FORK ASSY (L.H)		1		
	5UM-23102-40	FRONT FORK ASSY (L.H)			1	UR FOR OCE,ZAF
2	5TA-23136-L0	.TUBE, OUTER (RIGHT)	1	1	1	
3	5DH-23120-L0	.INNER TUBE COMP.2	1	1	1	
4	5ET-23171-L0	.PISTON, FRONT FORK	1	1	1	
5	5ET-23125-L0	.METAL, SLIDE 1	1	1	1	
6	5UN-23146-L0	.WASHER, OIL SEAL	1	1	1	
7	5UN-23145-L0	.OIL SEAL	1	1	1	
8	4SS-23153-L0	.RING, SNAP	1	1	1	
9	5HD-23144-L0	.SEAL, DUST	1	1	1	
10	5TJ-23170-L0	.CYLINDER COMP., FRONT FORK	1	1	1	
11	5UM-2316A-L0	.VALVE COMP.	1		1	UR FOR U49,CAN
	5UM-2316A-M0	.VALVE COMP.		1	1	UR FOR OCE,ZAF
12	5UN-23111-L0	.BOLT, CAP	1	1	1	
13	93210-42263	..O-RING	1	1	1	
14	5DH-23142-L0	.SEAT, SPRING UPPER	1	1	1	
15	5HD-23393-L0	.NUT, SPECIAL	1	1	1	
16	5MV-23195-L0	.RUBBER	1	1	1	
17	5DH-23149-L0	.WASHER, SPRING UPPER	1	1	1	
18	5DH-23118-L0	.SPACER	1	1	1	
19	4SS-23158-L0	.GASKET	1	1	1	
20	5NL-23141-00	.SPRING,FRONT FORK (K=0.44)	1		1	UR FOR U49,CAN
	4SR-23141-L0	.SPRING, FRONT FORK (K=0.42)		1		
	4XL-23141-L0	.SPRING, FRONT FORK (K=0.43)			1	UR FOR OCE,ZAF
21	3JD-2312G-L0	.PLUG	1	1	1	
22	5UM-23103-00	FRONT FORK ASSY (R.H)	1		1	UR FOR U49,CAN

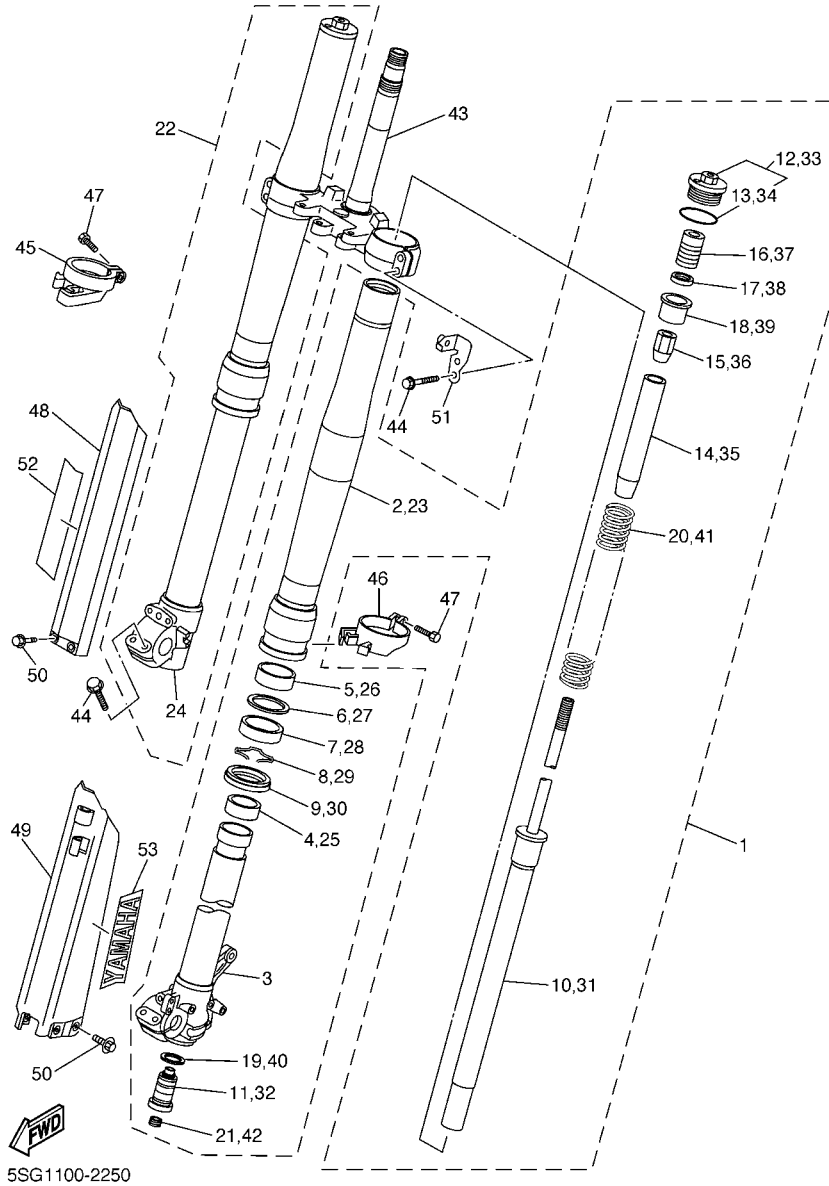
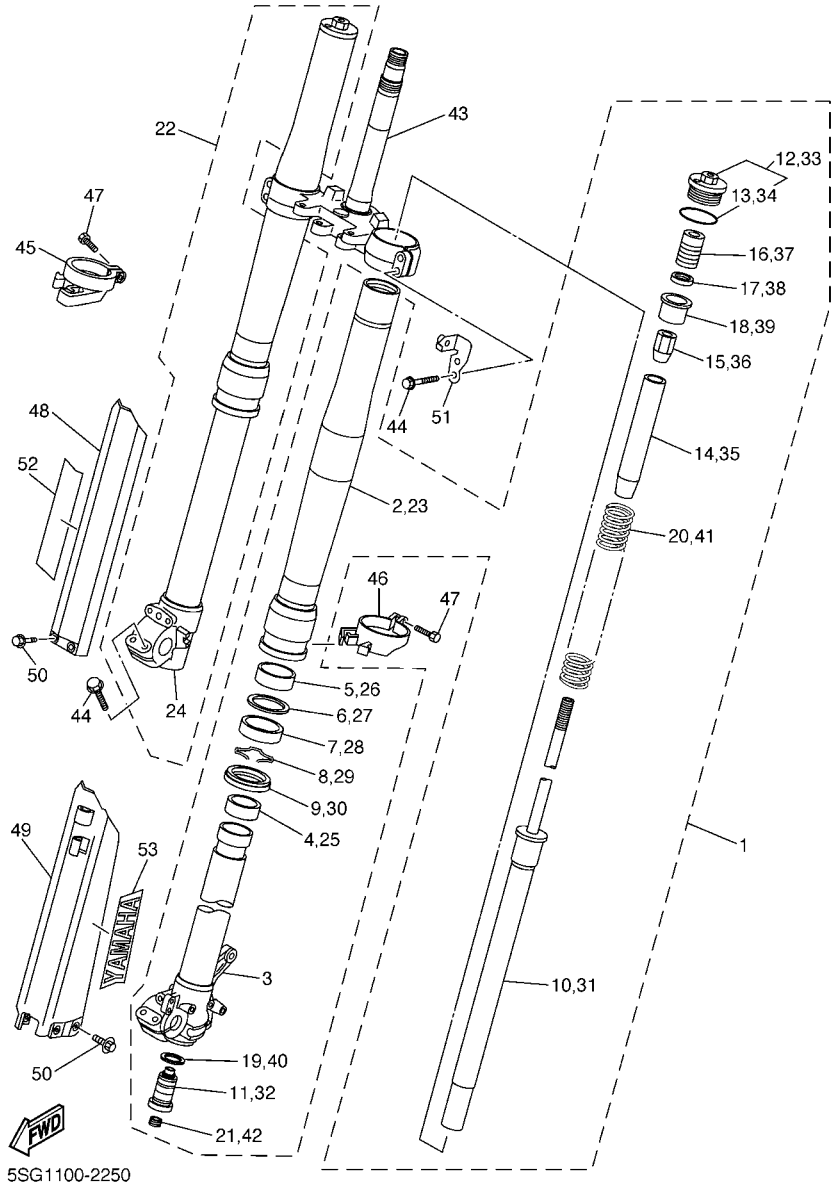


FIG. 26 FRONT FORK

REF. NO.	PART NO.	DESCRIPTION	SUM1	SUM2	SUM4	REMARKS
22	5UM-23103-10	FRONT FORK ASSY (R.H)		1		
	5UM-23103-40	FRONT FORK ASSY (R.H)			1	UR FOR OCE,ZAF
23	5TA-23136-L0	.TUBE, OUTER (RIGHT)	1	1	1	
24	5BF-23110-L0	.INNER TUBE COMP.1	1	1	1	
25	5ET-23171-L0	.PISTON, FRONT FORK	1	1	1	
26	5ET-23125-L0	.METAL, SLIDE 1	1	1	1	
27	5UN-23146-L0	.WASHER, OIL SEAL	1	1	1	
28	5UN-23145-L0	.OIL SEAL	1	1	1	
29	4SS-23153-L0	.RING, SNAP	1	1	1	
30	5HD-23144-L0	.SEAL, DUST	1	1	1	
31	5TJ-23170-L0	.CYLINDER COMP., FRONT FORK	1	1	1	
32	5UM-2316A-L0	.VALVE COMP.	1		1	UR FOR U49,CAN
	5UM-2316A-M0	.VALVE COMP.		1	1	UR FOR OCE,ZAF
33	5UN-23111-L0	.BOLT, CAP	1	1	1	
34	93210-42263	.O-RING	1	1	1	
35	5DH-23142-L0	.SEAT, SPRING UPPER	1	1	1	
36	5HD-23393-L0	.NUT, SPECIAL	1	1	1	
37	5MV-23195-L0	.RUBBER	1	1	1	
38	5DH-23149-L0	.WASHER, SPRING UPPER	1	1	1	
39	5DH-23118-L0	.SPACER	1	1	1	
40	4SS-23158-L0	.GASKET	1	1	1	
41	5NL-23141-00	.SPRING,FRONT FORK (K=0.44)	1		1	UR FOR U49,CAN
	4SR-23141-L0	.SPRING, FRONT FORK (K=0.42)		1		
	4XL-23141-L0	.SPRING, FRONT FORK (K=0.43)			1	UR FOR OCE,ZAF
42	3JD-2312G-L0	.PLUG	1	1	1	
43	5UL-23340-L0	UNDER BRACKET COMP.	1	1	1	
44	5NY-23346-L0	BOLT 1	8	8	8	

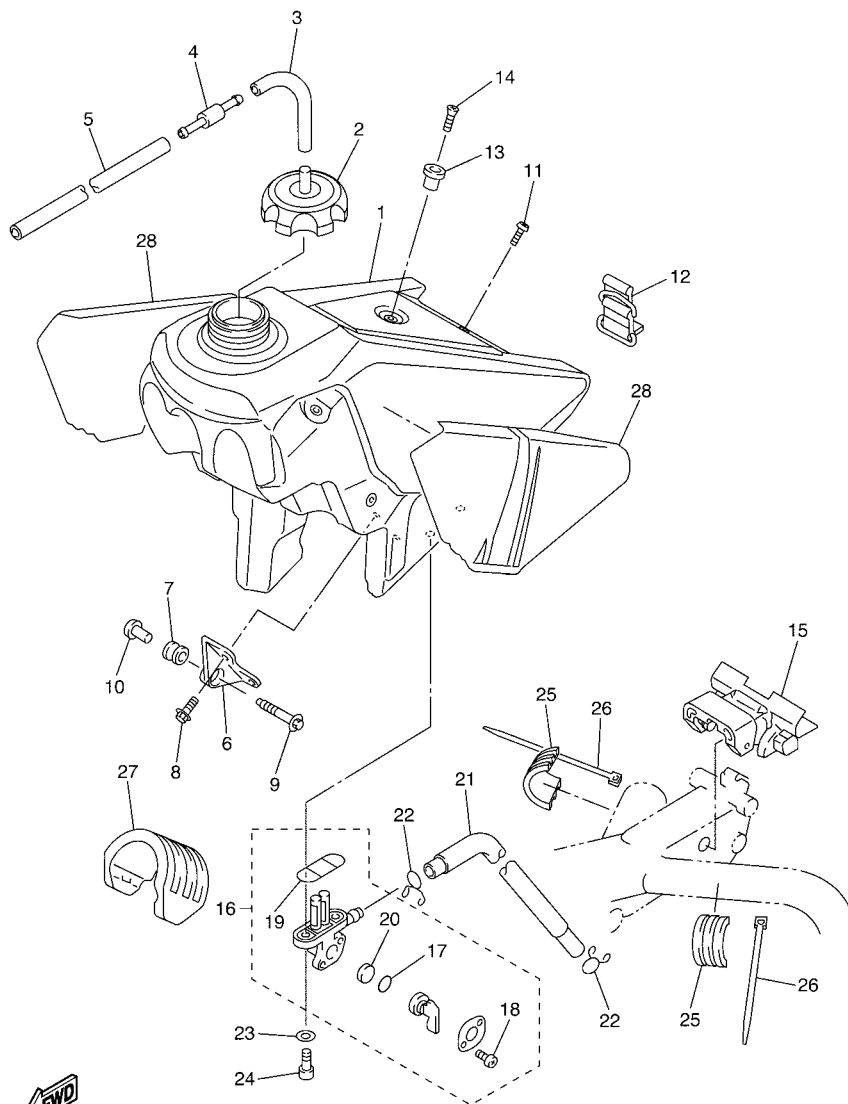
FIG. 26 FRONT FORK



5SG1100-2250

REF. NO.	PART NO.	DESCRIPTION	SUM1	SUM2	SUM4	REMARKS
45	4SS-2314G-L0	PROTECTOR GUIDE COMP., 2	1	1	1	
46	5DH-2314F-L0	PROTECTOR GUIDE COMP., 1	1	1	1	
47	4SS-23346-L0	BOLT 1	2	2	2	
48	5TJ-2314J-00	PROTECTOR COMP., 2	1	1	1	
49	5TA-2314H-00	PROTECTOR COMP., 1	1	1	1	
50	3SP-23356-L0	BOLT 2	6	6	6	
51	5HC-2331E-00	GUIDE, CABLE	1	1	1	
52	4XL-2153A-10	EMBLEM, YAMAHA	1	1	1	
53	4XL-2153A-10	EMBLEM, YAMAHA	1	1	1	



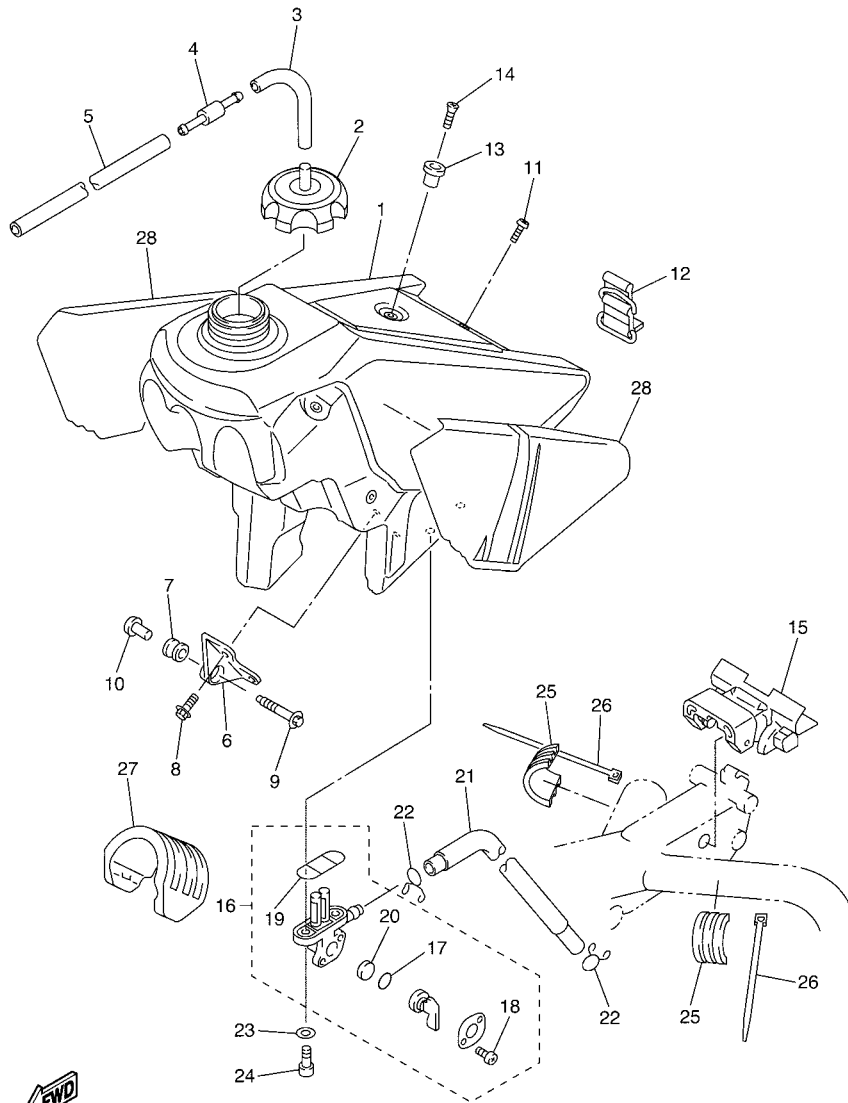


5TJ1100-B270

FIG. 27 FUEL TANK

REF. NO.	PART NO.	DESCRIPTION	SUM1	SUM2	SUM4	REMARKS
1	5TJ-24110-00	FUEL TANK COMP.	1	1	1	
2	5NY-24610-00	CAP ASSY	1	1	1	
3	90445-09220	HOSE (L30)	1	1	1	
4	3XJ-24380-00	PIPE JOINT ASSY	1	1	1	
5	90445-09100	HOSE	1	1	1	
6	24X-24144-00	HOLDER, DAMPER	2	2	2	
7	90480-18549	GROMMET	2	2	2	
8	95027-06016	BOLT, FLANGE	4	4	4	
9	90119-06214	BOLT, WITH WASHER	2	2	2	
10	5NY-24186-00	WASHER, SPECIAL	2	2	2	
11	98907-06025	SCREW, BIND	1	1	1	
12	5SF-24173-00	BAND, TANK FITTING 1	1	1	1	
13	4EW-2412F-00	BRACKET, SEAT	1	1	1	
14	98707-06025	SCREW, FLAT HEAD	1	1	1	
15	5TJ-24181-00	DAMPER, LOCATING 1	1	1	1	
16	2GU-24500-01	FUEL COCK ASSY 1	1	1	1	
17	3AJ-24534-00	.SEAL, COCK	1	1	1	
18	97801-03008	.SCREW, PAN HEAD	2	2	2	
19	4X8-24512-00	.O-RING	1	1	1	
20	3AJ-24523-00	.VALVE PACKING	1	1	1	
21	90445-11185	HOSE	1	1	1	
22	90467-10008	CLIP	2	2	2	
23	90202-05193	WASHER, PLATE	2	2	2	
24	90149-06011	SCREW	2	2	2	
25	5NY-24183-00	DAMPER, LOCATING 3	2	2	2	
26	90465-13152	CLAMP	2	2	2	
27	5BE-24182-00	DAMPER, LOCATING 2	1	1	1	

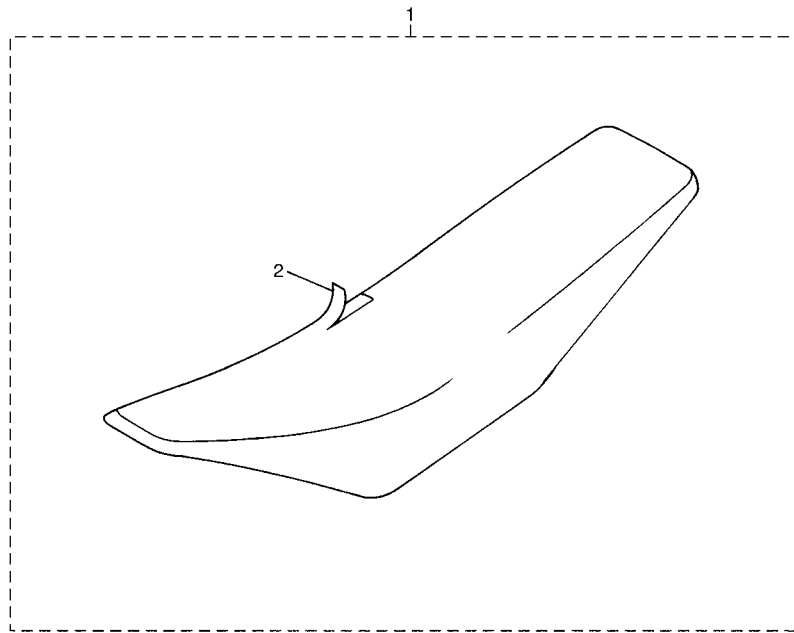
FIG. 27 FUEL TANK



5TJ1100-B270

REF. NO.	PART NO.	DESCRIPTION	SUM1	SUM2	SUM4	REMARKS
28	5TJ-24240-01	GRAPHIC SET	1	1	1	

**FIG. 28 SEAT**

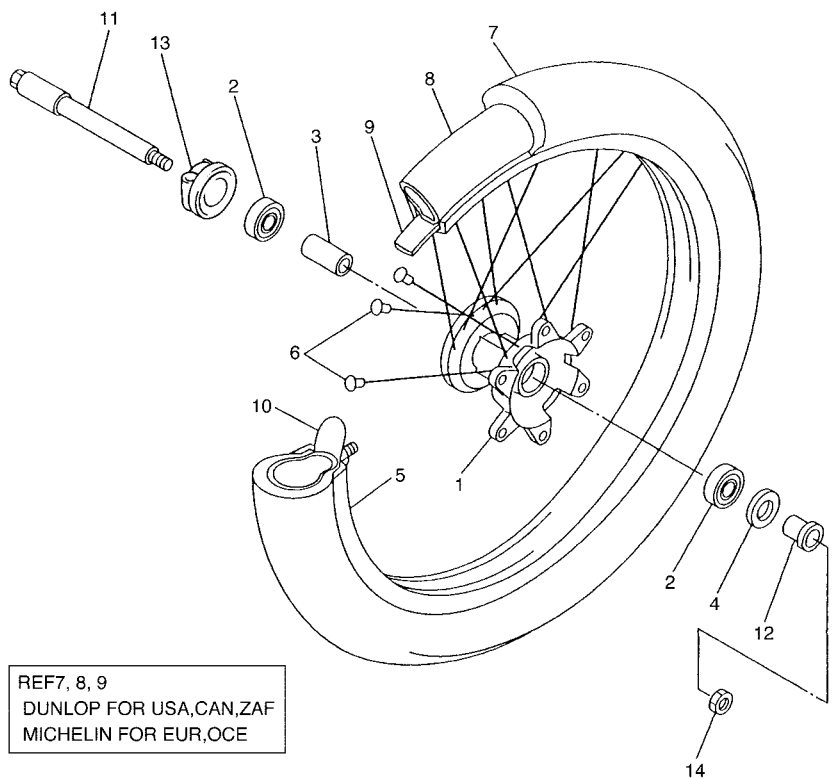


REF. NO.	PART NO.	DESCRIPTION	SUM1	SUM2	SUM4	REMARKS
1	5TJ-24710-00	SINGLE SEAT ASSY	1	1	1	
2	5TJ-2470F-00	.SEAT COVER COMP.	1	1	1	



5TA1100-B270

FIG. 29 FRONT WHEEL

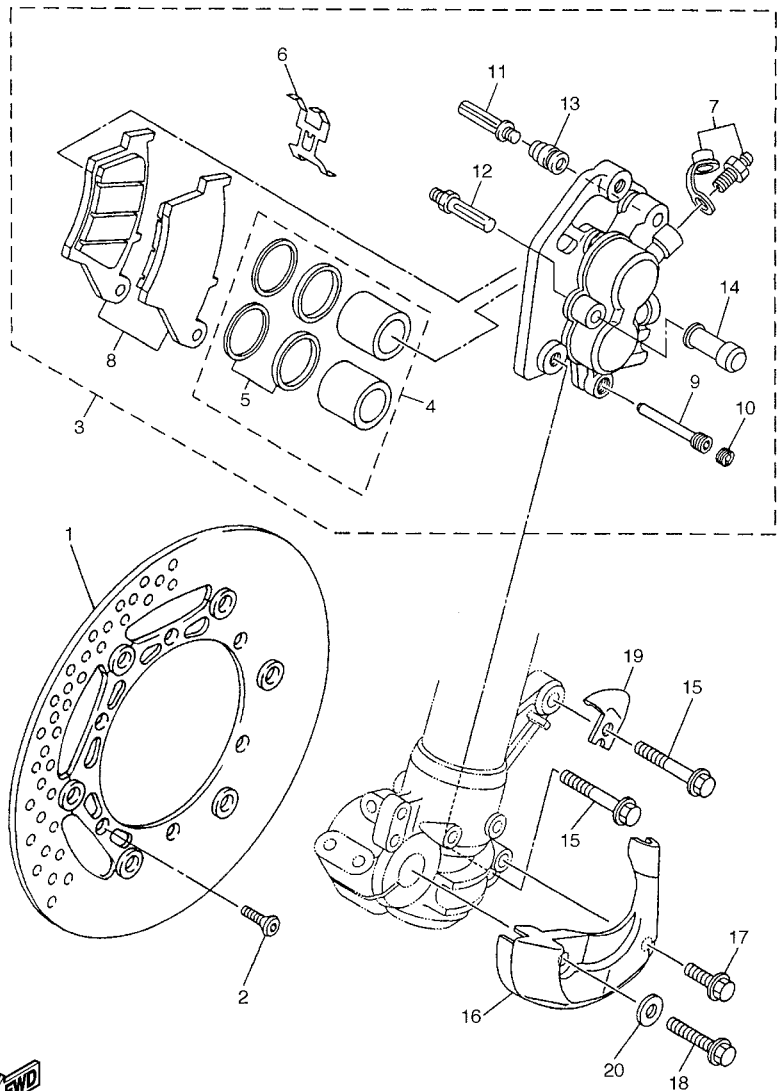


REF 7, 8, 9  
DUNLOP FOR USA,CAN,ZAF  
MICHELIN FOR EUR,OCE



5TJ1100-B290

REF. NO.	PART NO.	DESCRIPTION	SUM1	SUM2	SUM4	REMARKS
1	5NG-25111-50	HUB, FRONT	1	1	1	
2	93306-90403	BEARING	2	2	2	
3	5NY-25117-00	SPACER, BEARING	1	1	1	
4	93102-26468	OIL SEAL	1	1	1	
5	94416-21005	RIM (1.60-21)	1	1	1	
6	5NY-25104-00	SPOKE SET, FRONT	1	1	1	
7	94108-21008	TIRE (80/100-21 51M D739FA)	1	1	1	UR DUNLOP
	*	TIRE (90/90-21 M/C 54R ENDURO)		1	1	UR LM MICHELIN
8	94227-21101	TUBE (80/100-21 M/C TR4)	1	1	1	UR DUNLOP
	*	TUBE (90/90-21)		1	1	UR LM MICHELIN
9	94309-21161	BAND, RIM (1.60-21)	1	1	1	UR DUNLOP
	*	BAND, RIM (1.60-21)		1	1	UR LM MICHELIN
10	5SF-25394-00	SPACER, BEAD	1	1	1	
11	5BE-25181-00	AXLE, WHEEL	1	1	1	
12	5NY-25183-00	COLLAR, WHEEL	1	1	1	
13	5NG-25190-50	GEAR UNIT ASSY	1	1	1	
14	90179-16672	NUT	1	1	1	

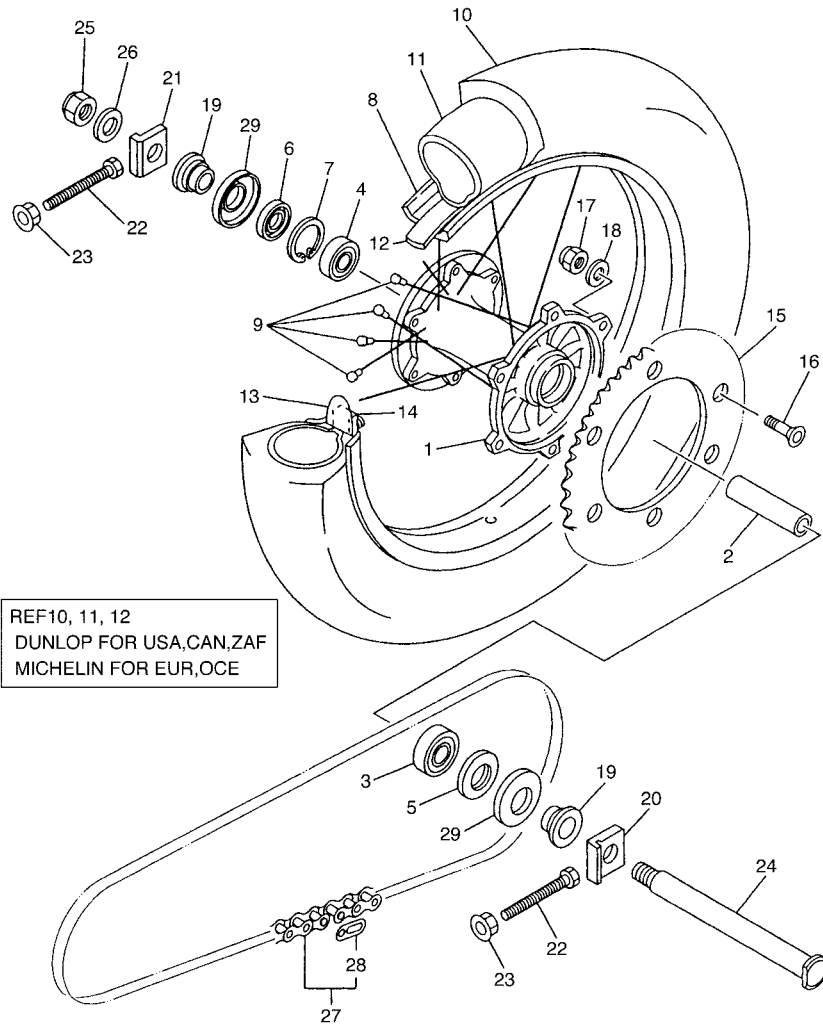


5TJ1100-B300

FIG. 30 FRONT BRAKE CALIPER

REF. NO.	PART NO.	DESCRIPTION	SUM1	SUM2	SUM4	REMARKS
1	5MV-2581T-00	DISC BRAKE ASSY	1	1	1	
2	90149-06327	SCREW	6	6	6	
3	5UN-2580T-00	CALIPER ASSY (LEFT)	1	1	1	
4	5UN-W0057-00	.PISTON ASSY, CALIPER	1	1	1	
5	3JD-W0047-00	..CALIPER SEAL KIT	1	1	1	
6	5DH-25919-00	..SUPPORT, PAD	1	1	1	
7	1UY-W0048-50	.BLEED SCREW KIT	1	1	1	
8	5MV-W0045-01	.BRAKE PAD KIT	1	1	1	
9	5DH-25933-00	.WASHER, PAD PIN	1	1	1	
10	5DH-25916-00	.PLUG	1	1	1	
11	3SP-25926-51	.BOLT	1	1	1	
12	3SP-25914-51	.PIN, SLIDE	1	1	1	
13	3JD-25917-00	.BOOT, CALIPER	1	1	1	
14	1UY-25937-51	.BOOT 2	1	1	1	
15	90105-08659	BOLT, FLANGE	2	2	2	
16	5DH-2314E-00	COVER, HOSE	1	1	1	
17	95827-06012	BOLT, FLANGE	1	1	1	
18	95027-08020	BOLT, FLANGE	1	1	1	
19	5DH-25875-00	HOLDER, BRAKE HOSE 1	1	1	1	
20	92907-08200	WASHER	1	1	1	

FIG. 31 REAR WHEEL



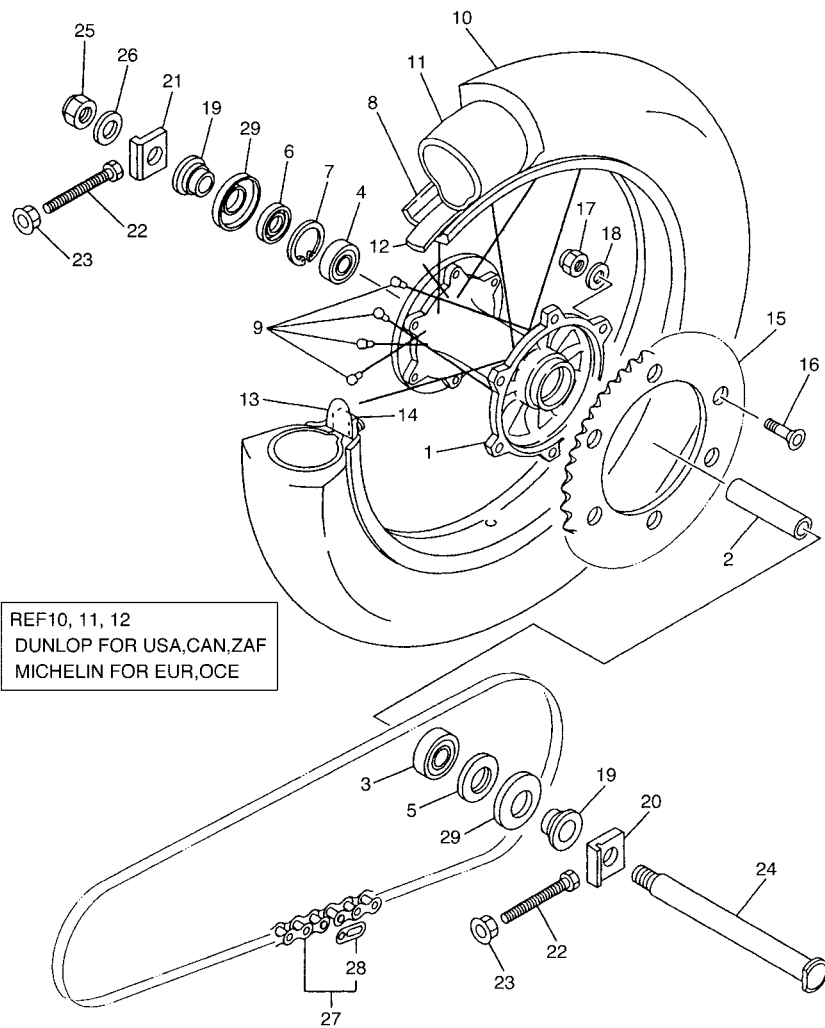
REF10, 11, 12  
DUNLOP FOR USA,CAN,ZAF  
MICHELIN FOR EUR,OCE



5TJ1100-B310

REF. NO.	PART NO.	DESCRIPTION	SUM1	SUM2	SUM4	REMARKS
1	5ET-25311-00	HUB, REAR	1	1	1	
2	5ET-25317-00	SPACER, BEARING	1	1	1	
3	93306-27205	BEARING	1	1	1	
4	93306-07202	BEARING	1	1	1	
5	93106-30044	OIL SEAL	1	1	1	
6	93106-30045	OIL SEAL	1	1	1	
7	99009-45500	CIRCLIP	1	1	1	
8	94418-18006	RIM (1.85-18)	1	1	1	UR FOR CAN,ZAF
	94421-18005	RIM (2.15-18)		1	1	UR FOR OCE
9	5GS-25304-00	SPOKE SET, REAR	1	1	1	
10	94110-18008	TIRE (100/100-18 59M D739)	1	1	1	UR DUNLOP
	*	TIRE(130/90-18 M/C 69R ENDURO)		1	1	UR LM MICHELIN
11	94211-18176	TUBE (100-120/80-100-18 M/C)	1	1	1	UR DUNLOP
	*	TUBE TIRE (130/90-18M/C)		1	1	UR LM MICHELIN
12	94309-18146	BAND, RIM (1.85-18)	1	1	1	UR DUNLOP
	*	BAND, RIM (2.15-18)		1	1	UR LM MICHELIN
13	4XM-25394-00	SPACER, BEAD	2	2	2	UR FOR CAN,ZAF
	3JE-25394-00	SPACER, BEAD		2	2	UR FOR OCE
14	4XM-25364-00	DAMPER	2	2	2	
15	5GS-25452-50	SPROCKET, DRIVEN (52T)	1	1	1	STD FOR CAN,ZAF
	5NY-25452-00	SPROCKET, DRIVEN (52T)			1	STD FOR OCE
	5GS-25448-50	SPROCKET, DRIVEN (48T)	1	1	1	AP FOR CAN,ZAF
	5GS-25450-50	SPROCKET, DRIVEN (50T)	1	1	1	AP FOR CAN,ZAF
	5PH-25454-50	SPROCKET, DRIVEN (54T)	1	1	1	AP FOR CAN,ZAF
	5NY-25448-00	SPROCKET, DRIVEN (48T)			1	AP FOR OCE
	5NY-25449-00	SPROCKET, DRIVEN (49T)			1	AP FOR OCE
	5NY-25450-00	SPROCKET, DRIVEN (50T)			1	AP FOR OCE

FIG. 31 REAR WHEEL

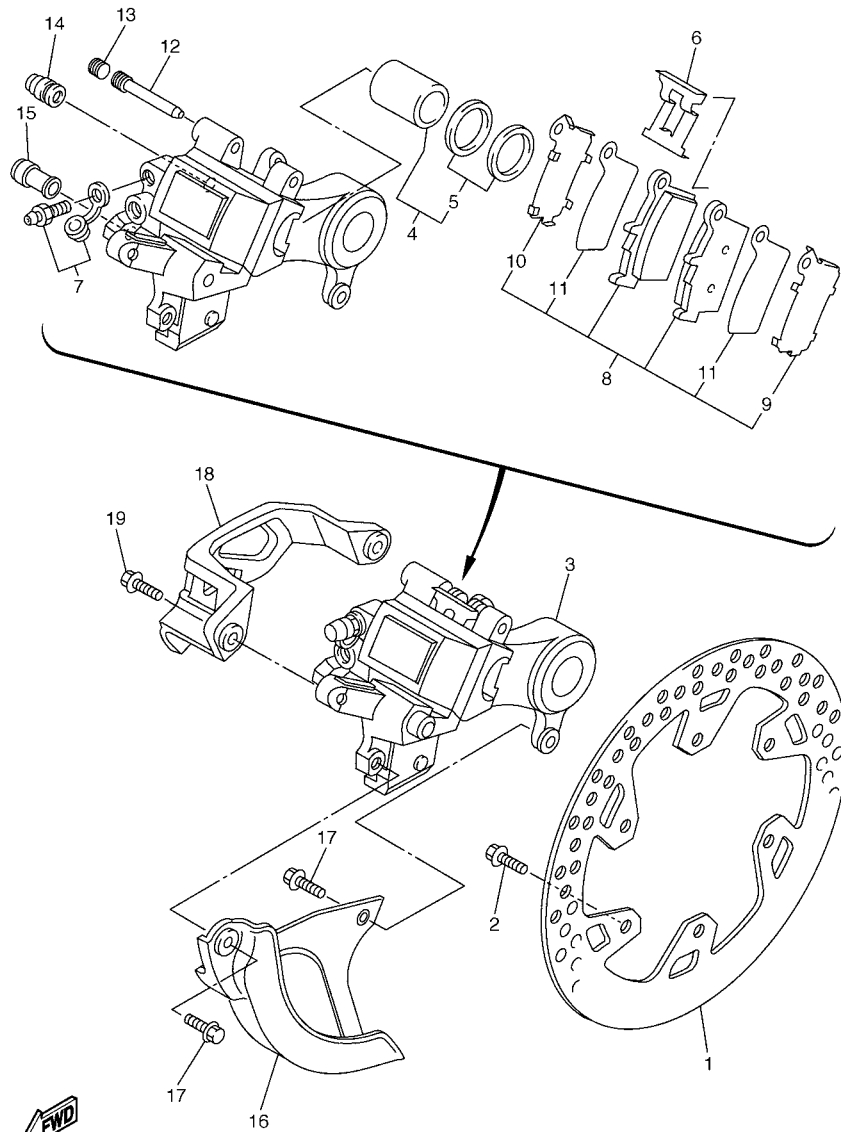


REF10, 11, 12  
DUNLOP FOR USA,CAN,ZAF  
MICHELIN FOR EUR,OCE



5TJ1100-B310

REF. NO.	PART NO.	DESCRIPTION	SUM1	SUM2	SUM4	REMARKS
15	5NY-25451-00	SPROCKET, DRIVEN (51T)			1	AP FOR OCE
	5NY-25452-00	SPROCKET, DRIVEN (52T)			1	AP FOR OCE
16	90109-081G1	BOLT	6	6	6	
17	90185-08169	NUT, SELF-LOCKING	6	6	6	
18	90201-08326	WASHER, PLATE	6	6	6	
19	5UN-25383-00	COLLAR, WHEEL	2	2	2	
20	5NY-25388-00	PULLER, CHAIN 1	1	1	1	
21	5NY-25389-00	PULLER, CHAIN 2	1	1	1	
22	90101-08777	BOLT	2	2	2	
23	95707-08500	NUT, FLANGE	2	2	2	
24	5ET-25381-00	AXLE, WHEEL	1	1	1	
25	90185-20168	NUT, SELF-LOCKING	1	1	1	
26	90201-203U1	WASHER, PLATE	1	1	1	
27	9Y58A-76113	CHAIN (DID 520VM-114LL)	1	1	1	
28	94681-76021	.JOINT, CHAIN	1	1	1	
29	5ET-25367-00	COVER, HUB DUST	2	2	2	

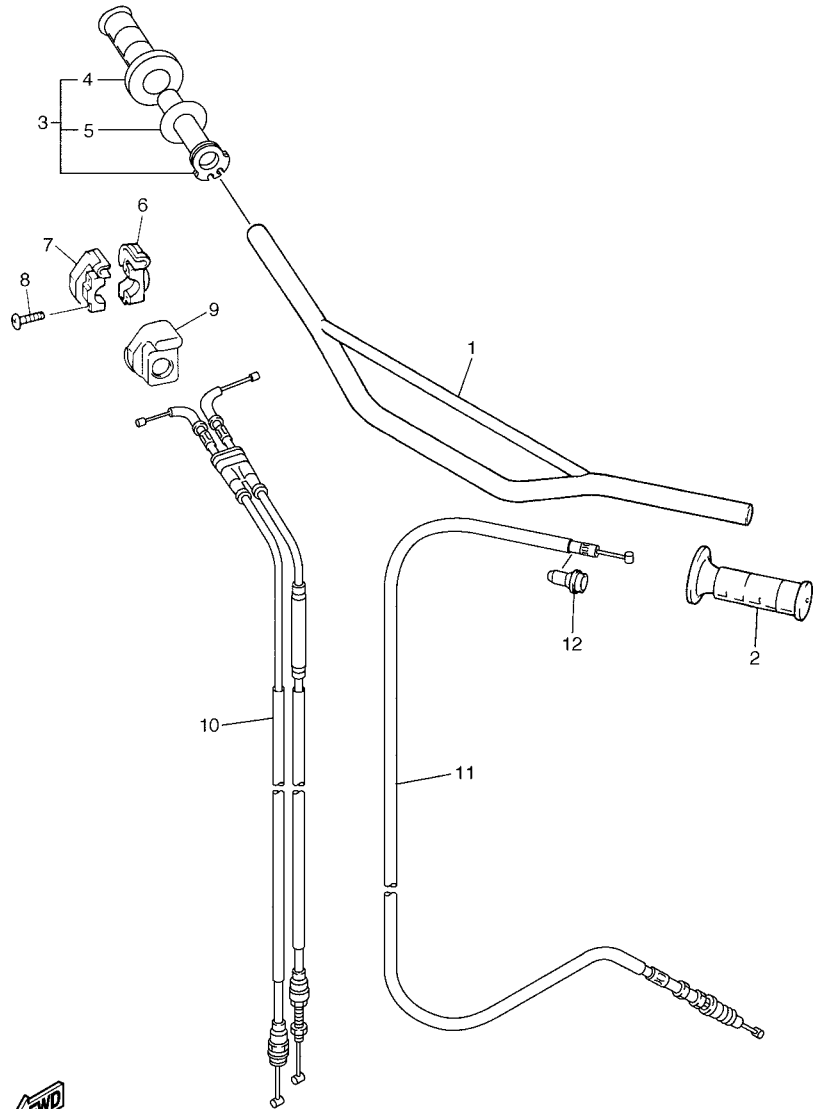


5TJ1100-B320

FIG. 32 REAR BRAKE CALIPER

REF. NO.	PART NO.	DESCRIPTION	SUM1	SUM2	SUM4	REMARKS
1	5NY-2582W-00	DISC, REAR BRAKE 2	1	1	1	
2	90109-065G4	BOLT	6	6	6	
3	5UN-2580W-20	CALIPER ASSY, REAR 2	1	1	1	
4	5UN-W0057-50	.PISTON ASSY, CALIPER	1	1	1	
5	5UN-W0047-50	..CALIPER SEAL KIT	1	1	1	
6	5DH-25919-50	..SUPPORT, PAD	1	1	1	
7	1UY-W0048-50	.BLEED SCREW KIT	1	1	1	
8	5UN-W0046-60	.BRAKE PAD KIT 2	1	1	1	
9	5UN-25828-60	..SHIM, CALIPER	1	1	1	
10	5UN-25827-60	..SHIM, CALIPER	1	1	1	
11	5UN-22898-60	..INSULATOR, HEAT	2	2	2	
12	8CR-25924-00	.PIN, PAD	1	1	1	
13	5DH-25916-00	.PLUG	1	1	1	
14	3JD-25917-00	.BOOT, CALIPER	1	1	1	
15	1UY-25937-51	.BOOT 2	1	1	1	
16	5DH-25718-01	PROTECTOR, DISK BRAKE	1	1	1	
17	95027-06012	BOLT, FLANGE	2	2	2	
18	5TA-27491-00	PROTECTOR	1	1	1	
19	95027-06016	BOLT, FLANGE	2	2	2	

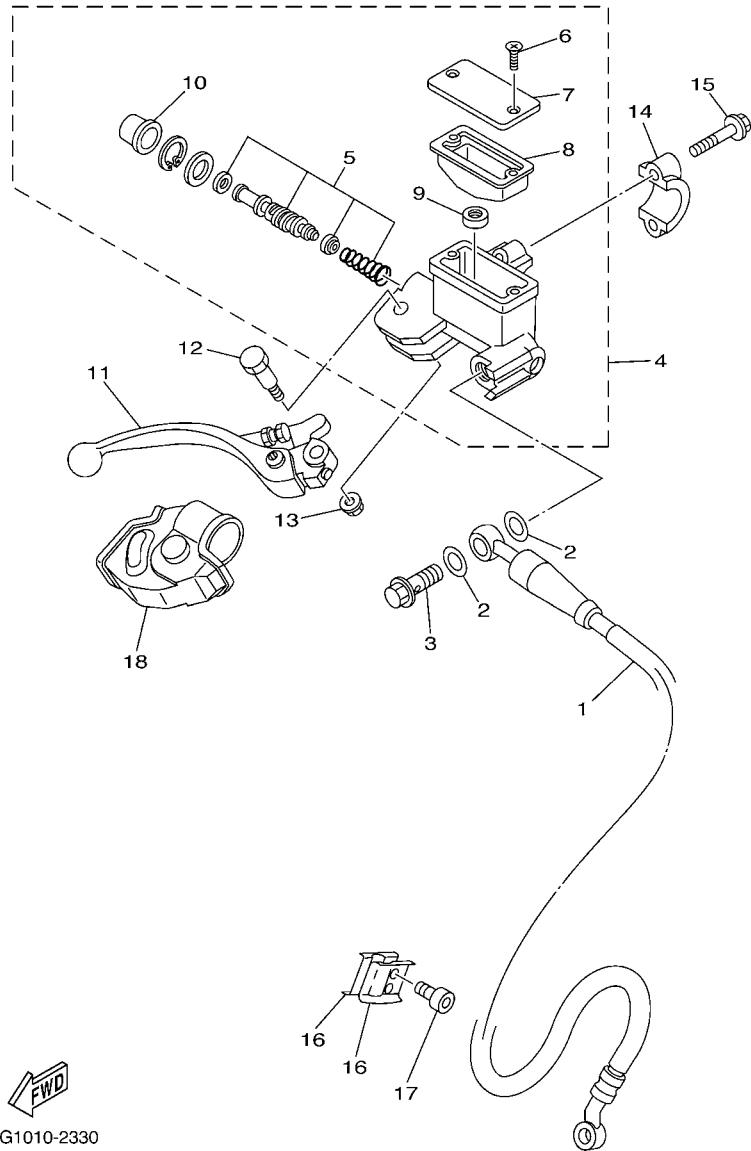




5UM1100-B330

FIG. 33 STEERING HANDLE. CABLE

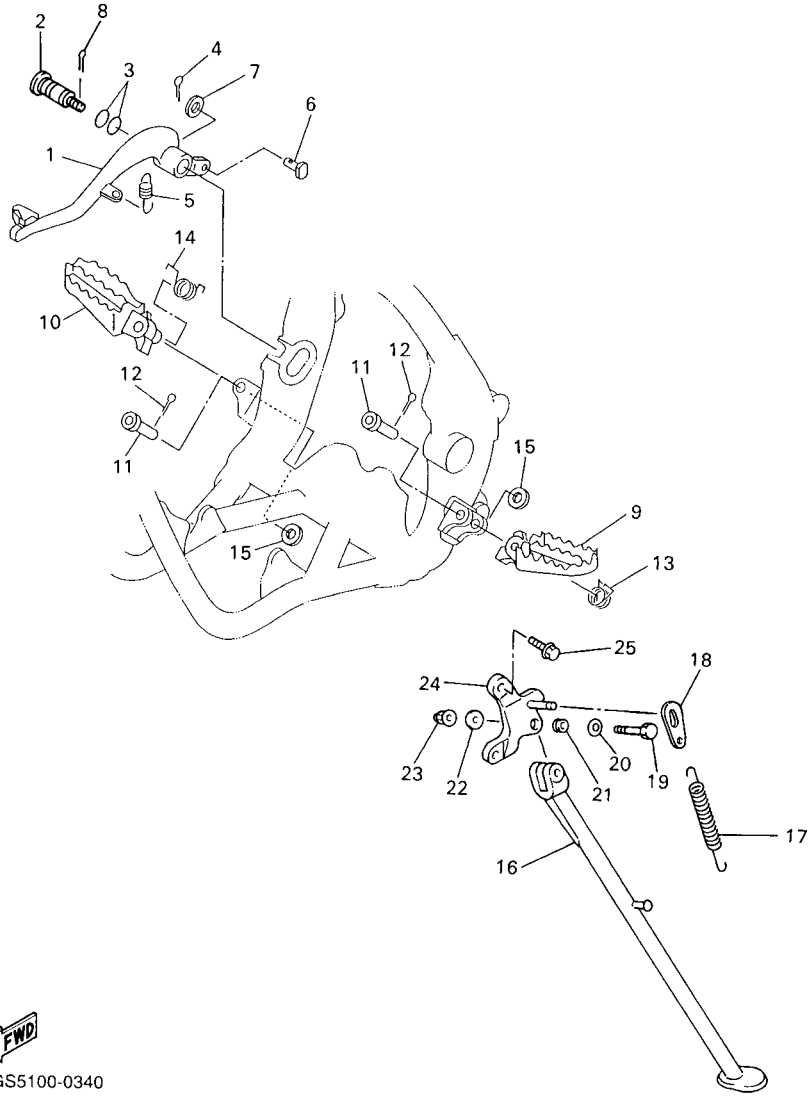
REF. NO.	PART NO.	DESCRIPTION	5UM1	5UM2	5UM4	REMARKS
1	4XM-26111-00	HANDLEBAR	1	1	1	
2	4GY-26241-00	GRIP	1	1	1	
3	5BE-26240-00	GRIP ASSY	1	1	1	
4	4GY-26242-00	.GRIP (RIGHT)	1	1	1	
5	3Y1-26249-00	.RING, LEAF	1	1	1	
6	5BE-26281-00	CAP, GRIP UPPER	1	1	1	
7	5BE-26282-00	CAP, GRIP LOWER	1	1	1	
8	98507-05020	SCREW, PAN HEAD	2	2	2	
9	5SF-26287-00	COVER, CAP GRIP	1	1	1	
10	5TA-26302-01	THROTTLE CABLE ASSY	1	1	1	
11	5UM-26335-00	CABLE, CLUTCH	1	1	1	
12	5HD-26342-00	BOOT, CABLE	1	1	1	



  
5SG1010-2330

**FIG. 34 FRONT MASTER CYLINDER**

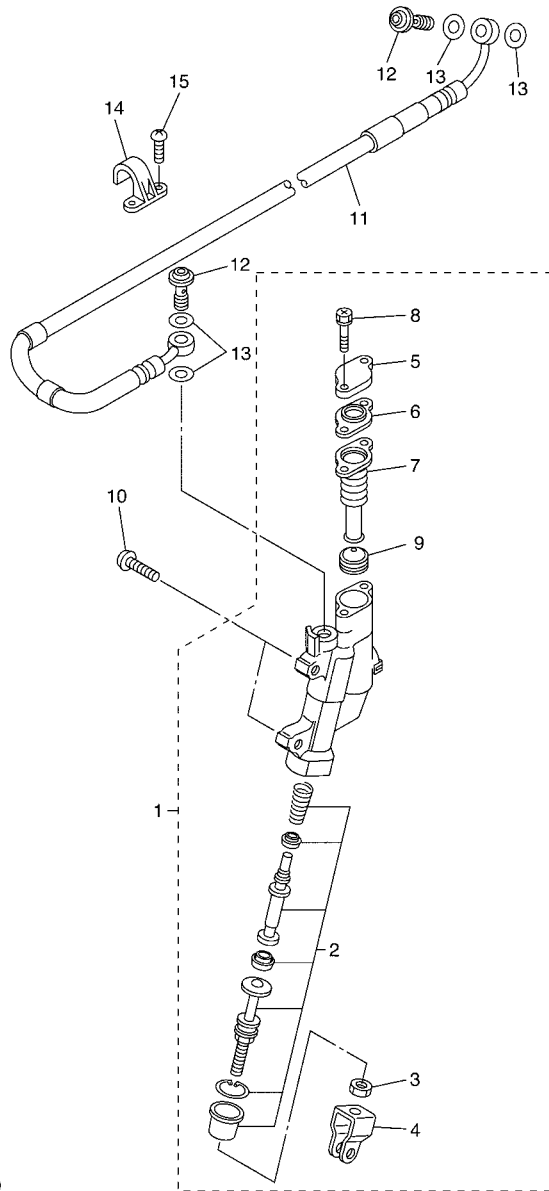
REF. NO.	PART NO.	DESCRIPTION	SUM1	SUM2	SUM4	REMARKS
1	5TJ-25872-00	HOSE, BRAKE 1	1	1	1	
2	90201-10118	WASHER, PLATE	4	4	4	
3	90401-10172	BOLT, UNION	2	2	2	
4	5UN-W2587-00	MASTER CYLINDER SUB ASSY	1	1	1	
5	5NY-W0041-00	.CYLINDER KIT, MASTER	1	1	1	
6	98706-04012	.SCREW, FLAT HEAD	2	2	2	
7	5MV-25852-01	.CAP, RESERVOIR	1	1	1	
8	56A-25854-00	.DIAPHRAGM, RESERVOIR	1	1	1	
9	5CG-25715-00	.SEPARATOR ASSY	1	1	1	
10	5NY-25868-00	.BOOT, MASTER CYLINDER	1	1	1	
11	5MV-83922-00	LEVER 2	1	1	1	
12	5MV-2589F-00	BOLT, LEVER	1	1	1	
13	95701-06500	NUT, FLANGE	1	1	1	
14	5MV-25867-00	BRACKET, MASTER CYLINDER	1	1	1	
15	5MV-25833-00	BOLT, FITTING	2	2	2	
16	90465-16258	CLAMP	2	2	2	
17	91317-06014	BOLT	2	2	2	
18	5NY-26372-00	COVER, HANDLE LEVER 1	1	1	1	



**FWD**  
5GS5100-0340

**FIG. 35 STAND. FOOTREST**

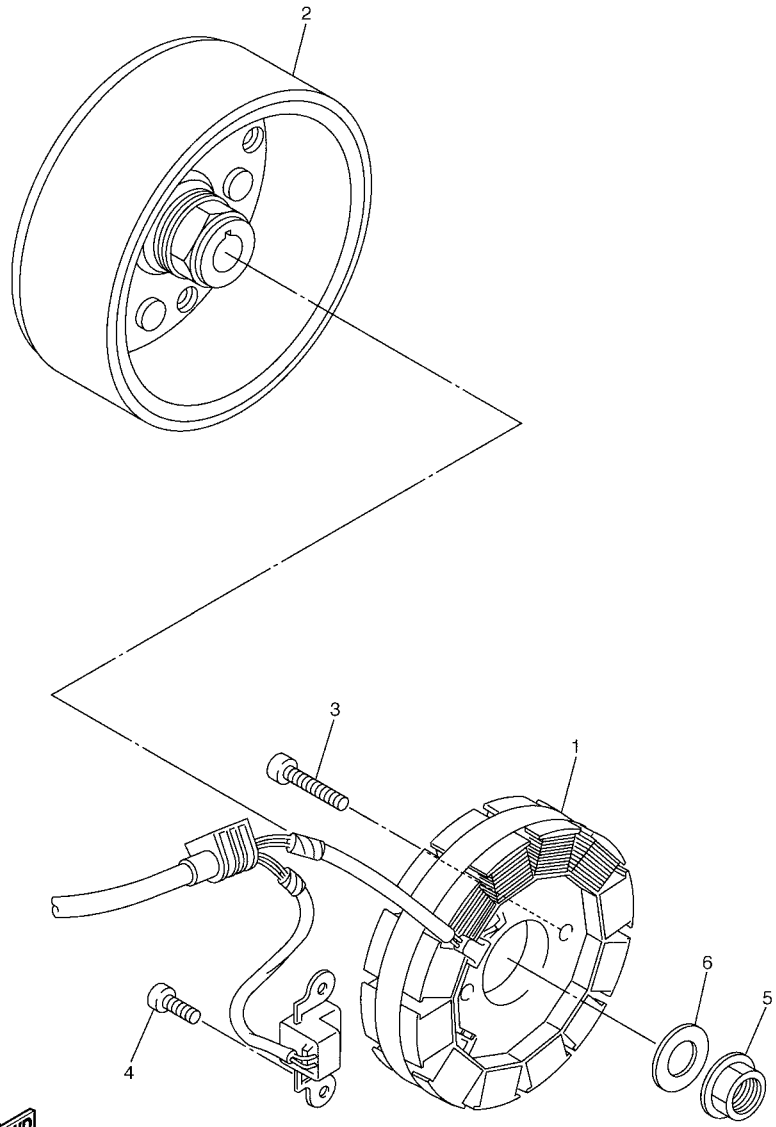
REF. NO.	PART NO.	DESCRIPTION	SUM1	SUM2	SUM4	REMARKS
1	4XM-27200-00	PEDAL, BRAKE	1	1	1	
2	5JG-27217-00	BOLT	1	1	1	
3	93210-11073	O-RING	2	2	2	
4	91401-20012	PIN, COTTER	1	1	1	
5	90506-16500	SPRING, TENSION	1	1	1	
6	90240-08120	PIN, CLEVIS	1	1	1	
7	90201-08089	WASHER, PLATE	1	1	1	
8	90468-16191	CLIP	1	1	1	
9	5ET-27411-00	FOOTREST 1	1	1	1	
10	5ET-27421-00	FOOTREST 2	1	1	1	
11	90240-10142	PIN, CLEVIS	2	2	2	
12	91401-25015	PIN, COTTER	2	2	2	
13	90508-282B8	SPRING, TORSION	1	1	1	
14	90508-282B9	SPRING, TORSION	1	1	1	
15	90201-10119	WASHER, PLATE	2	2	2	
16	5BF-27311-00	STAND, SIDE	1	1	1	
17	90506-35473	SPRING, TENSION	1	1	1	
18	5GS-27315-50	LINK, SIDE STAND	1	1	1	
19	90101-10738	BOLT	1	1	1	
20	90201-112U6	WASHER, PLATE	1	1	1	
21	90387-1003G	COLLAR	1	1	1	
22	92990-10200	WASHER, PLAIN	1	1	1	
23	95617-10100	NUT, U	1	1	1	
24	5GS-21458-50	BRACKET, SIDE STAND	1	1	1	
25	95027-10020	BOLT, FLANGE	2	2	2	



5TA1100-B350

FIG. 36 REAR MASTER CYLINDER

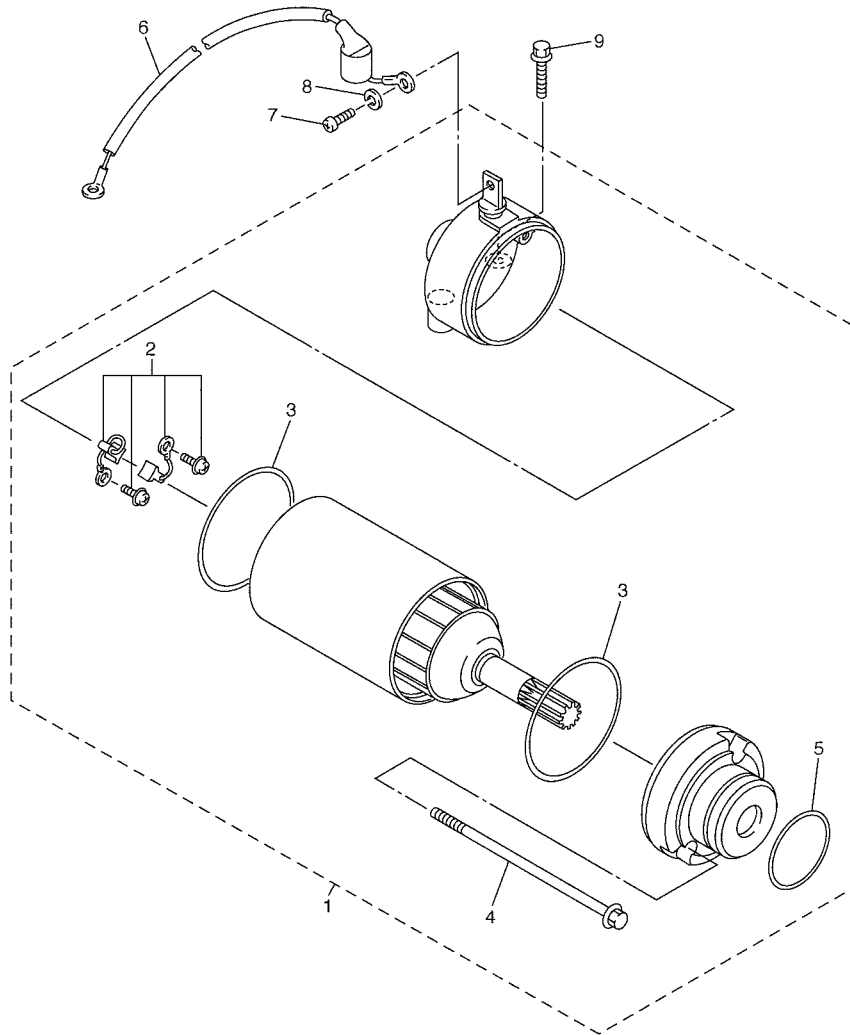
REF. NO.	PART NO.	DESCRIPTION	SUM1	SUM2	SUM4	REMARKS
1	5UN-2583V-00	RR. MASTER CYLINDER ASSY.	1	1	1	
2	5UN-W0042-50	.CYLINDER KIT, MASTER	1	1	1	
3	5UN-27218-00	.NUT	1	1	1	
4	5UN-27222-00	.JOINT	1	1	1	
5	5UN-25852-50	.CAP, RESERVOIR	1	1	1	
6	5UN-2585B-00	.PLATE, DIAPHRAGM	1	1	1	
7	5UN-25854-00	.DIAPHRAGM, RESERVOIR	1	1	1	
8	5UN-27217-00	.BOLT	2	2	2	
9	5CG-25715-00	.SEPARATOR ASSY	2	2	2	
10	90111-06029	BOLT	2	2	2	
11	5UN-25873-00	HOSE, BRAKE 2	1	1	1	
12	90401-10172	BOLT, UNION	2	2	2	
13	90201-10118	WASHER, PLATE	4	4	4	
14	2VM-25876-00	HOLDER, BRAKE HOSE 2	2	2	2	
15	98507-05010	SCREW, PAN HEAD	4	4	4	



**FWD**  
5TJ1100-B370

**FIG. 37 GENERATOR**

REF. NO.	PART NO.	DESCRIPTION	SUM1	SUM2	SUM4	REMARKS
1	5UM-81410-00	STATOR ASSY	1	1	1	
2	5TJ-81450-00	ROTOR ASSY	1	1	1	
3	91317-05020	BOLT	2	2	2	
4	91317-06014	BOLT	2	2	2	
5	90179-12248	NUT	1	1	1	
6	90201-127E1	WASHER, PLATE	1	1	1	
<hr/>						
<hr/>						
<hr/>						
<hr/>						
<hr/>						
<hr/>						
<hr/>						
<hr/>						
<hr/>						
<hr/>						



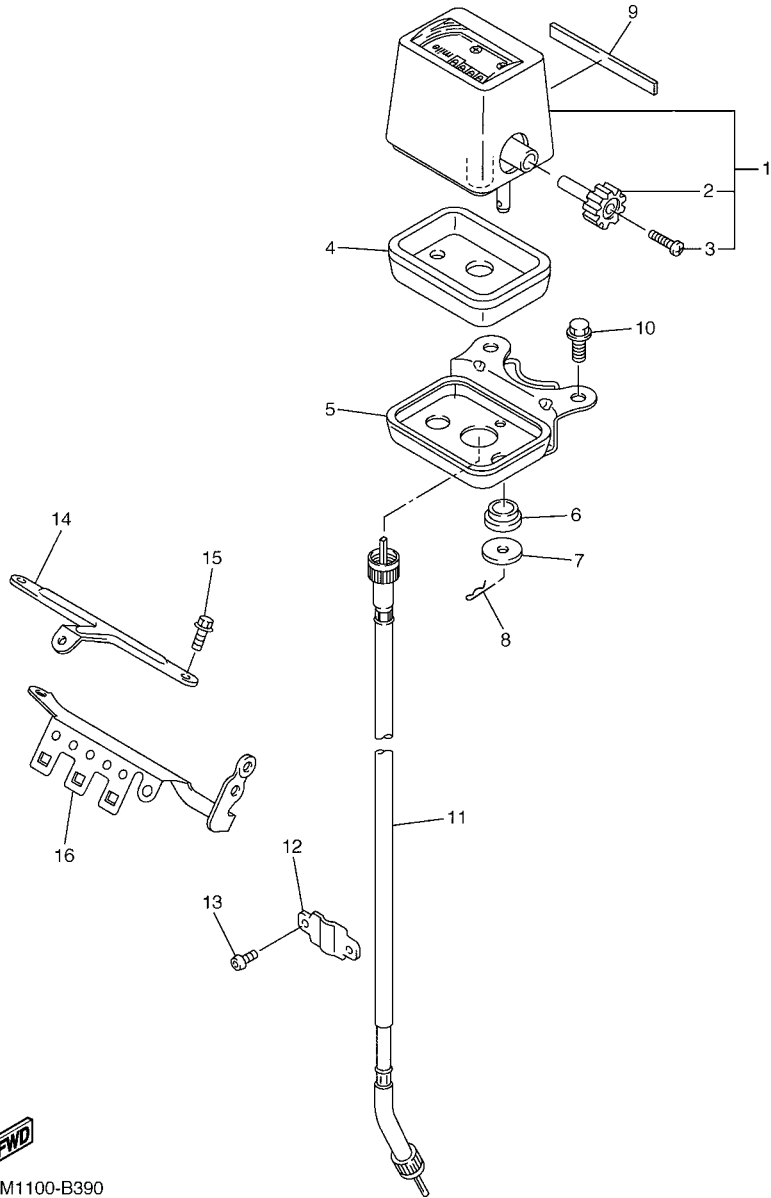
**FIG. 38 STARTING MOTOR**

REF. NO.	PART NO.	DESCRIPTION	5UM1	5UM2	5UM4	REMARKS
1	5UM-81890-00	MOTOR ASSY	1	1	1	
2	5UM-81801-00	.BRUSH SET	1	1	1	
3	5UM-81861-00	.GASKET	2	2	2	
4	5UM-81828-00	.BOLT 2	2	2	2	
5	93210-25711	.O-RING	1	1	1	
6	5UM-8183G-00	CORD COMP.	1	1	1	
7	98507-05008	SCREW, PAN HEAD	1	1	1	
8	92907-05100	WASHER, SPRING	1	1	1	
9	91317-06025	BOLT	2	2	2	



5UM1100-B380

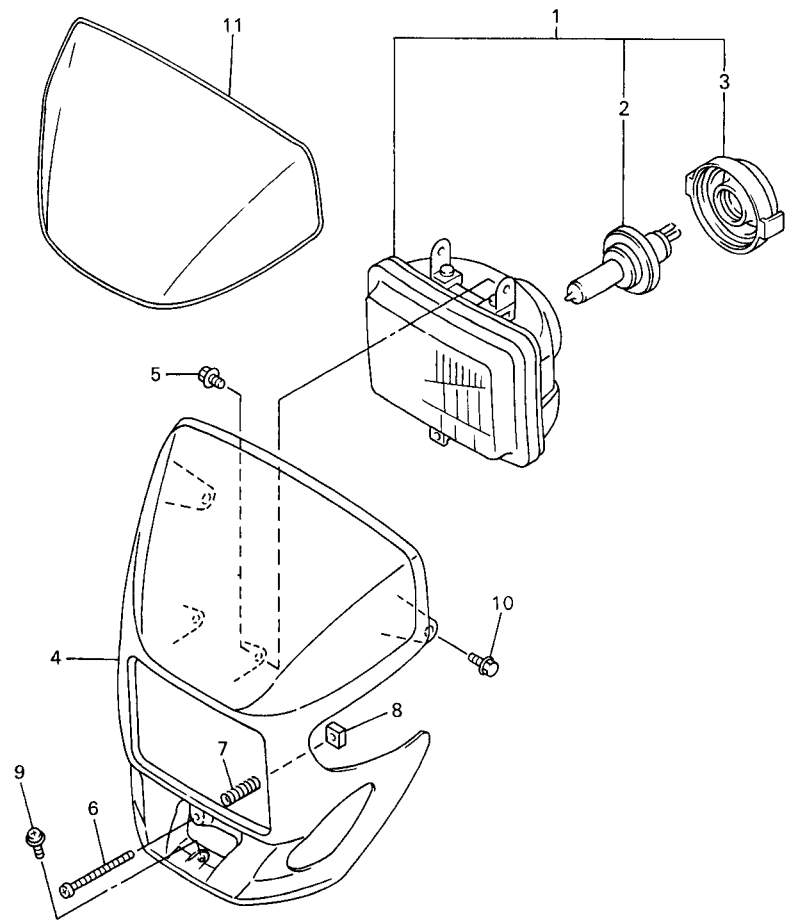
FIG. 39 METER



5UM1100-B390

REF. NO.	PART NO.	DESCRIPTION	SUM1	SUM2	SUM4	REMARKS
1	5TJ-8355W-10	TRIP METER COMP. (MILE)	1	1		FOR GBR
	5TJ-8355W-00	TRIP METER COMP. (KM/H)		1	1	
2	1AE-83578-00	.KNOB, TRIP METER	1	1	1	
3	90157-02031	.SCREW, PAN HEAD	1	1	1	
4	4V5-83513-00	DAMPER	1	1	1	
5	5NG-83519-00	BRACKET, METER	1	1	1	
6	1M1-83526-00	DAMPER 2	2	2	2	
7	90201-05033	WASHER, PLATE	2	2	2	
8	437-83525-00	CLIP	2	2	2	
9	2HR-83592-00	DAMPER	1	1	1	
10	95027-06010	BOLT, FLANGE	2	2	2	
11	5BF-83550-00	SPEEDOMETER CABLE ASSY	1	1	1	
12	5BF-2317M-00	STAY 3	1	1	1	
13	92017-05008	BOLT, BUTTON HEAD	2	2	2	
14	5PH-84319-50	STAY, HEADLIGHT 2	1	1	1	
15	95027-08012	BOLT, FLANGE	2	2	2	
16	5TJ-8350E-00	BRACKET	1	1	1	

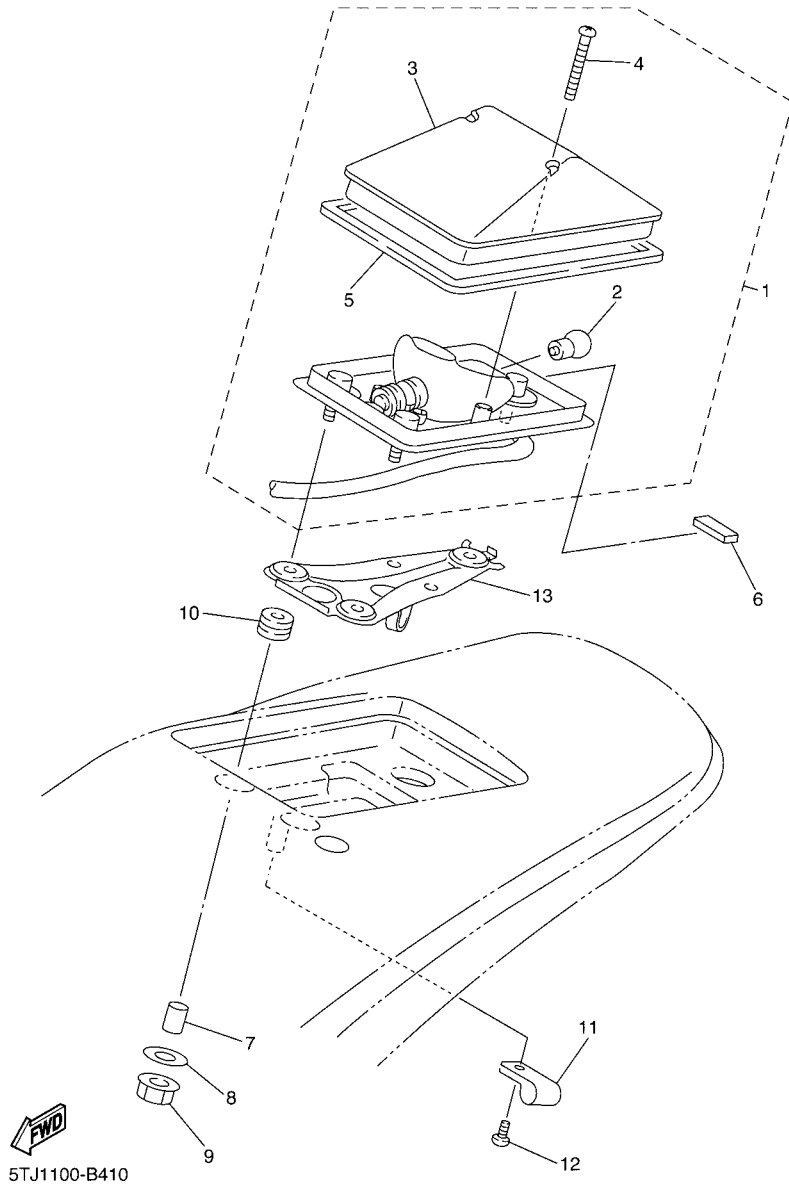
FIG. 40 HEADLIGHT



5NG1100-1380

REF. NO.	PART NO.	DESCRIPTION	SUM1	SUM2	SUM4	REMARKS
1	5BF-84310-00	HEADLIGHT UNIT ASSY	1	1	1	
2	8G9-84314-00	.BULB (12V-60/55W)	1	1	1	(H4)HALOGEN
3	5BF-84397-00	.COVER, SOCKET	1	1	1	
4	5BF-84330-00	BODY ASSY	1	1	1	
5	55U-84337-00	BOLT, SPECIAL	2	2	2	
6	5BF-8433E-00	SCREW, ADJUSTING	1	1	1	
7	5BF-84335-00	SPRING	1	1	1	
8	5BF-84334-00	NUT, ADJUSTING	1	1	1	
9	90159-06189	SCREW, WITH WASHER	1	1	1	
10	95827-06010	BOLT, FLANGE	2	2	2	
11	5BF-2339E-00	GRAPHIC 1	1	1	1	

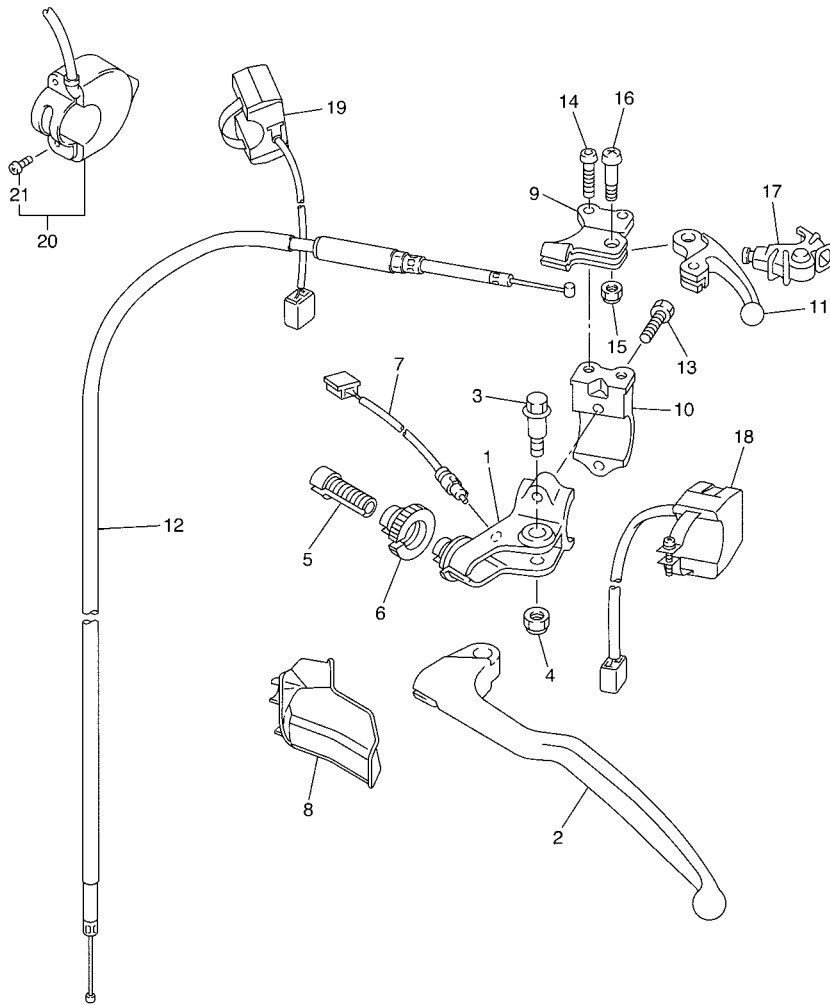




5TJ1100-B410

FIG. 41 TAILLIGHT

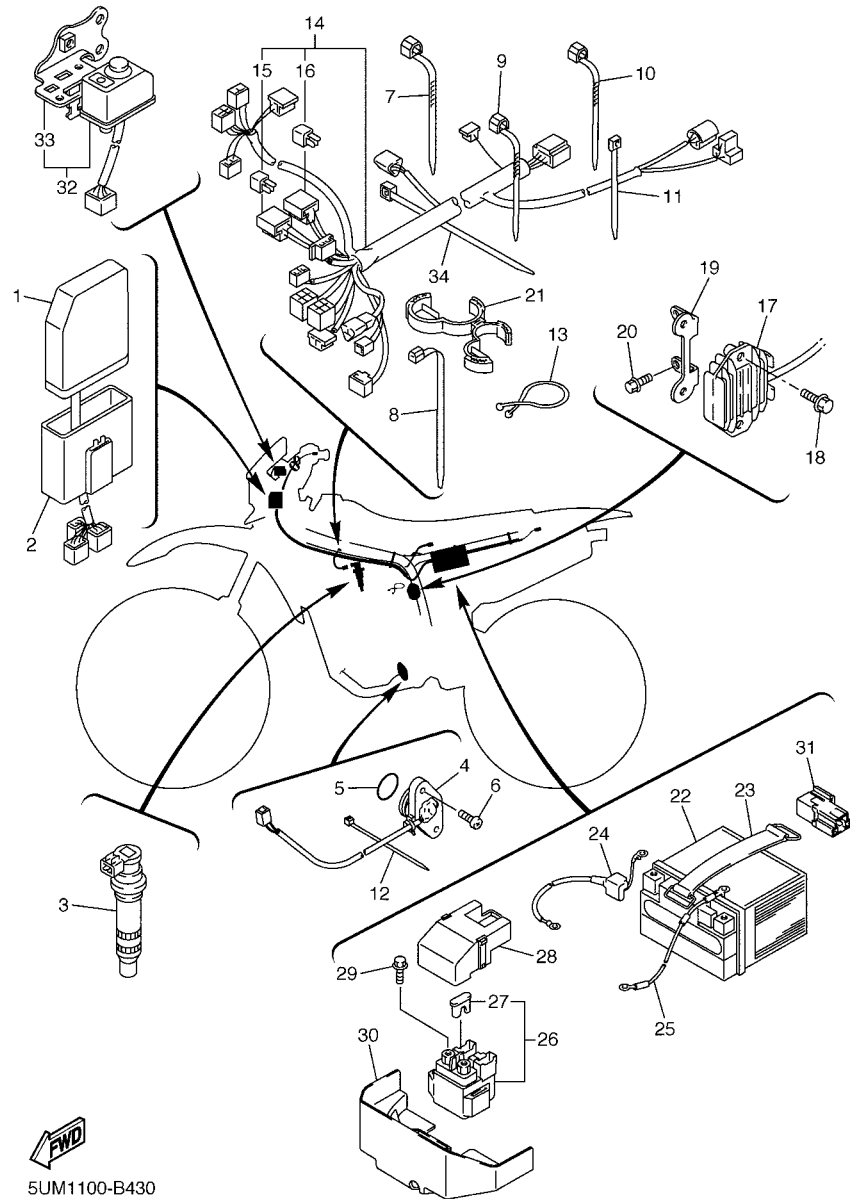
REF. NO.	PART NO.	DESCRIPTION	SUM1	SUM2	SUM4	REMARKS
1	5TJ-84710-00	TAILLIGHT UNIT ASSY	1	1	1	
2	36Y-84714-40	.BULB, TAILLIGHT (12V-21/5W)	1	1	1	
3	4GY-84733-00	.LENS, TAILLIGHT	1	1	1	
4	97706-40530	.SCREW, TAPPING	2	2	2	
5	4GY-84723-00	.GASKET, TAIL LENS	1	1	1	
6	1HX-27415-00	PLATE, DAMPER	1	1	1	
7	90387-065L5	COLLAR	3	3	3	
8	90201-06057	WASHER, PLATE	3	3	3	
9	95707-06500	NUT, FLANGE	3	3	3	
10	90480-14102	GROMMET	3	3	3	
11	90461-11099	CLAMP	2	2	2	
12	97780-40010	SCREW, TAPPING	2	2	2	
13	5TJ-21677-00	PLATE, FITTING 3	1	1	1	



5TJ1100-B420

FIG. 42 HANDLE SWITCH. LEVER

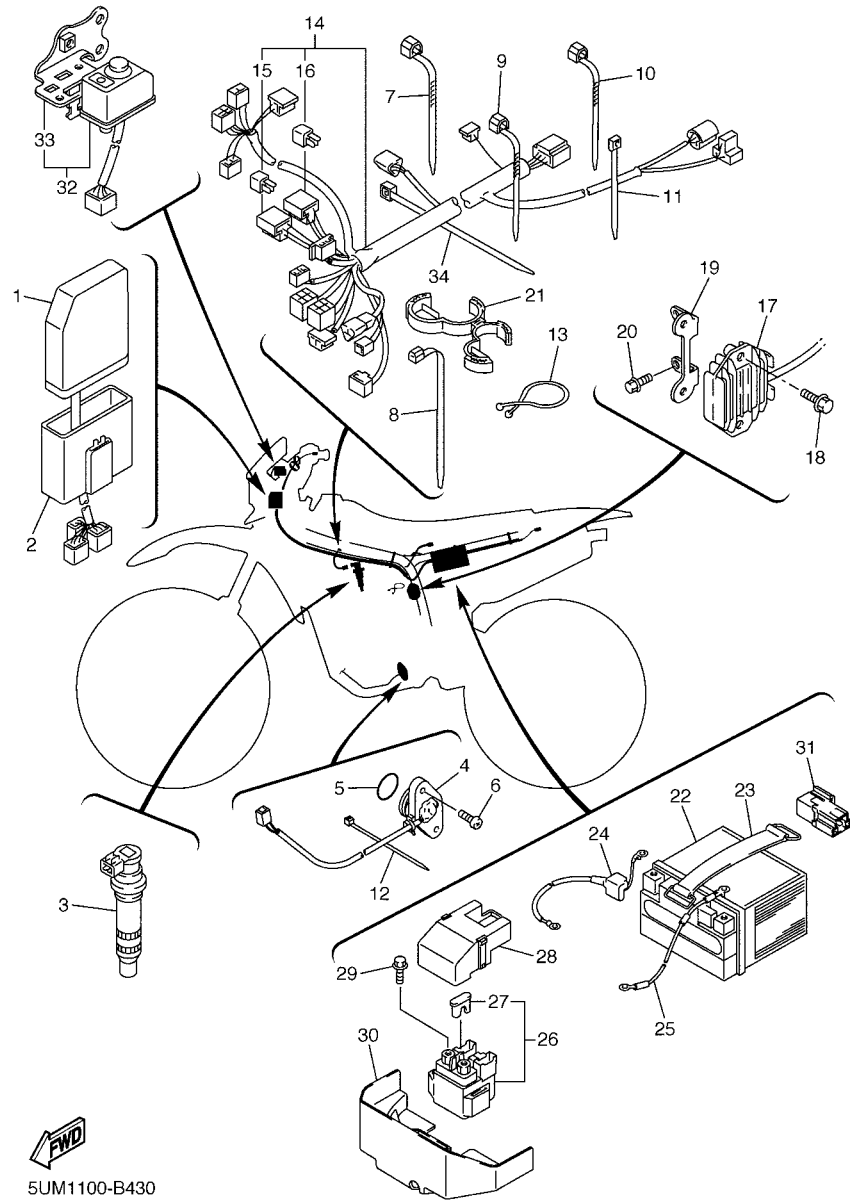
REF. NO.	PART NO.	DESCRIPTION	SUM1	SUM2	SUM4	REMARKS
1	5TJ-82911-00	HOLDER, LEVER 1	1	1	1	
2	5TJ-83912-00	LEVER 1	1	1	1	
3	90109-06027	BOLT	1	1	1	
4	95607-06100	NUT, U	1	1	1	
5	5TA-26337-00	BOLT, ADJUSTING	1	1	1	
6	5HD-83951-00	BOLT, CABLE ADJUSTING	1	1	1	
7	5TJ-82917-00	SWITCH	1	1	1	
8	5TJ-26372-00	COVER, HANDLE LEVER 1	1	1	1	
9	5TA-82946-00	HOLDER, STARTER LEVER	1	1	1	
10	5TA-82913-01	HOLDER, LEVER LOWER 1	1	1	1	
11	5TA-83941-00	LEVER, STARTER	1	1	1	
12	5TA-26334-00	CABLE, STARTER 2	1	1	1	
13	97007-05016	BOLT	2	2	2	
14	92017-05012	BOLT, BUTTON HEAD	2	2	2	
15	95607-05100	NUT, U	1	1	1	
16	90149-05163	SCREW	1	1	1	
17	5TA-26339-00	BOOT	1	1	1	
18	5TJ-83976-00	SWITCH, HANDLE 1	1	1	1	
19	5TJ-83976-10	SWITCH, HANDLE 1	1	1	1	
20	5NG-83976-50	SWITCH, HANDLE 1	1	1	1	
21	98507-04014	SCREW, PAN HEAD	2	2	2	



5UM1100-B430

FIG. 43 ELECTRICAL 1

REF. NO.	PART NO.	DESCRIPTION	SUM1	SUM2	SUM4	REMARKS
1	5UM-85540-00	C.D.I. UNIT ASSY	1			
	5UM-85540-10	C.D.I. UNIT ASSY		1		
	5UM-85540-20	C.D.I. UNIT ASSY			1	
2	5TJ-85546-00	BAND	1	1	1	
3	5UL-82310-00	IGNITION COIL ASSY	1	1	1	
4	5TJ-82540-00	NEUTRAL SWITCH ASSY	1	1	1	
5	93210-21276	O-RING	1	1	1	
6	90154-05026	SCREW, BINDING	2	2	2	
7	90464-13077	CLAMP	4	4	4	
8	90465-13275	CLAMP	5	5	5	
9	90464-13073	CLAMP	5	5	5	
10	90464-15195	CLAMP	1	1	1	
11	90465-13152	CLAMP	3	3	3	
12	5Y9-12491-00	CLAMP 1	4	4	4	
13	90464-23041	CLAMP	1	1	1	
14	5TJ-82590-10	WIRE HARNESS ASSY	1	1	1	
15	5TJ-81980-00	.DIODE ASSY	1	1	1	
16	4WA-81980-00	.DIODE ASSY	1	1	1	
17	5TJ-81960-00	RECTIFIER & REGULATOR ASSY	1	1	1	
18	95027-06020	BOLT, FLANGE	2	2	2	
19	5TJ-2128A-00	BRACKET, REGULATOR	1	1	1	
20	95027-06010	BOLT, FLANGE	2	2	2	
21	90464-29223	CLAMP	1	1	1	
22	5UM-82100-09	BATTERY ASSY (YTX5L-BS)	1	1	1	
23	8CY-82131-00	BAND, BATTERY	1	1	1	
24	5TJ-82115-00	WIRE, PLUS LEAD	1	1	1	
25	5UM-82116-00	WIRE, MINUS LEAD	1	1	1	

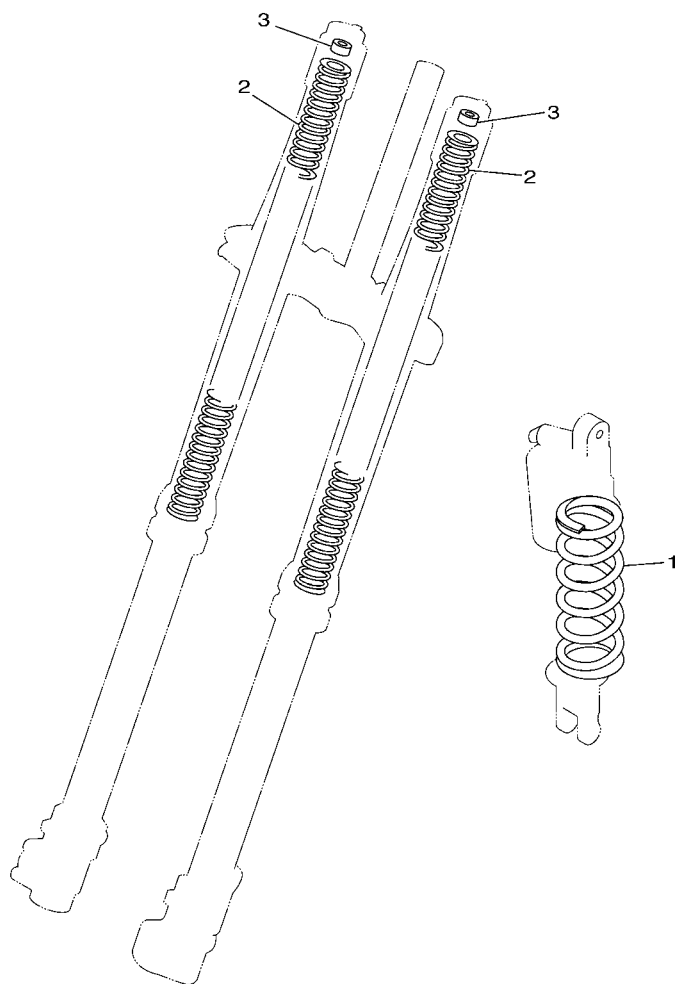


5UM1100-B430

FIG. 43 ELECTRICAL 1

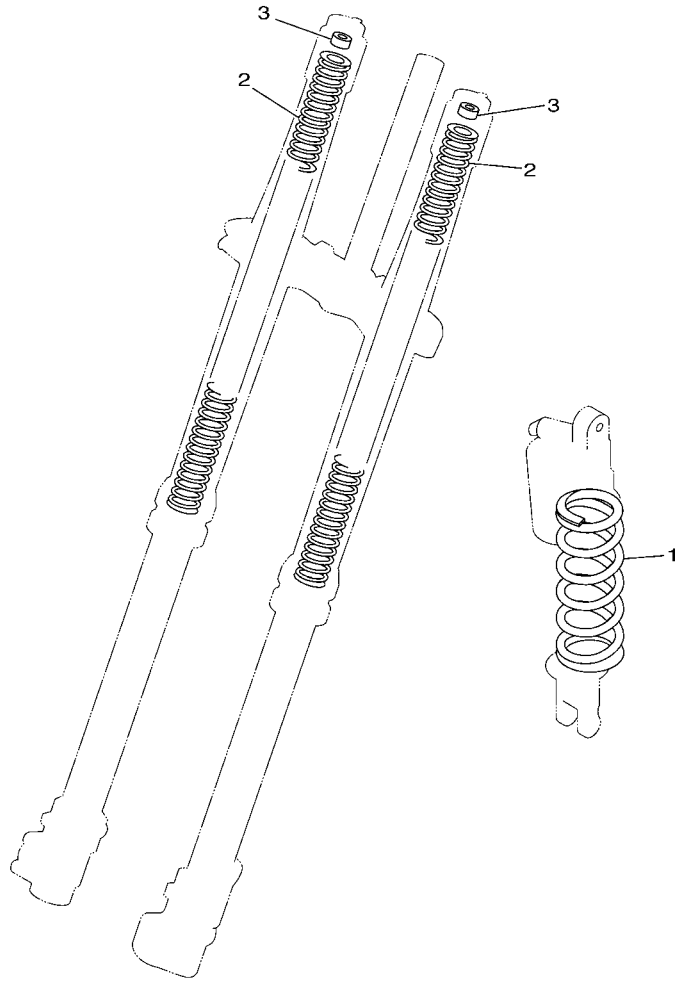
REF. NO.	PART NO.	DESCRIPTION	5UM1	5UM2	5UM4	REMARKS
26	5TJ-81940-10	STARTER RELAY ASSY	1	1	1	
27	42X-82151-00	.FUSE (10A-BL)	2	2	2	
28	5SL-82119-10	COVER, LEAD WIRE	1	1	1	
29	95027-06008	BOLT, FLANGE	2	2	2	
30	5TJ-81952-00	HOLDER, RELAY	1	1	1	
31	8DM-81950-00	RELAY ASSY	1	1	1	
32	5TJ-82510-00	MAIN SWITCH ASSY	1	1	1	
33	5TJ-82514-00	.STAY, MAIN SWITCH	1	1	1	
34	90464-50255	CLAMP	1	1	1	

FIG. 44 ALTERNATE (CHASSIS)



5NL1100-1390

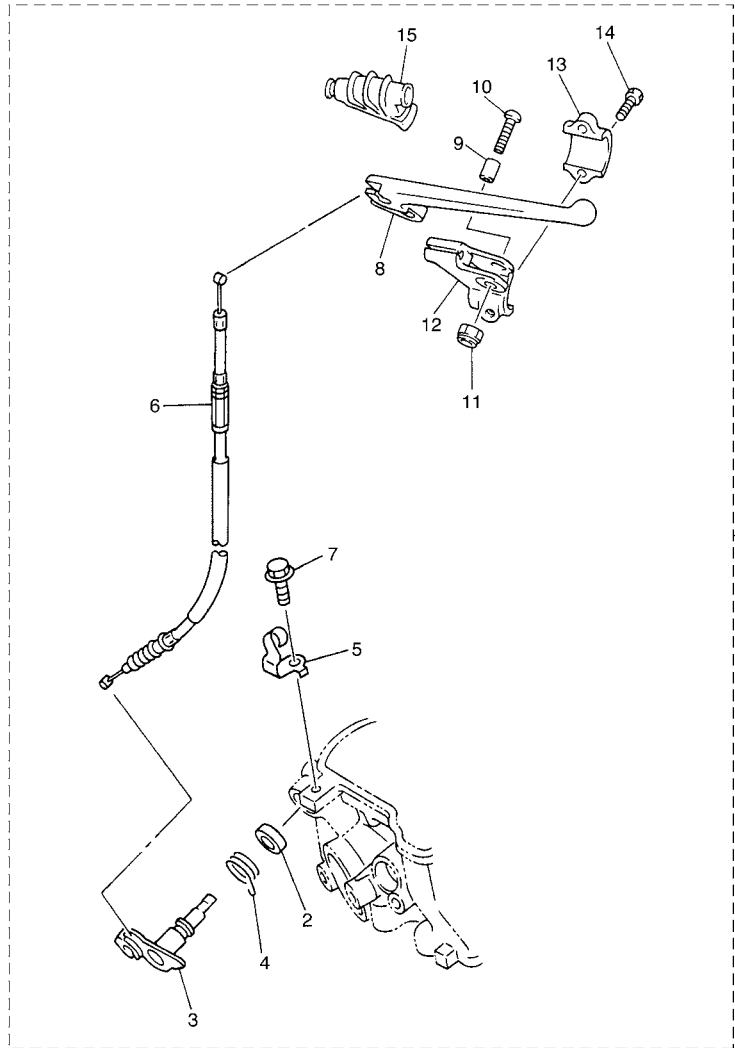
REF. NO.	PART NO.	DESCRIPTION	SUM1	SUM2	SUM4	REMARKS
1	5UN-22212-00	SPRING (K=4.3)	1	1	1	AP
	5UN-22212-10	SPRING (K=4.5)	1	1	1	AP
	5UN-22212-20	SPRING (K=4.7)	1	1	1	AP
	5UN-22212-30	SPRING (K=4.9)	1	1	1	AP
	5UN-22212-40	SPRING (K=5.1)	1	1	1	AP
	5UN-22212-50	SPRING (K=5.3)	1	1	1	AP
	5UN-22212-60	SPRING (K=5.5)	1	1	1	AP
	5UN-22212-70	SPRING (K=5.7)	1	1	1	AP
	5UN-22212-A0	SPRING (K=APPROX.4.5)	1	1	1	AP
	5UN-22212-B0	SPRING (K=APPROX.4.7)	1	1	1	AP
	5UN-22212-C0	SPRING (K=APPROX.4.9)	1	1	1	AP
	5UN-22212-D0	SPRING (K=APPROX.5.1)	1	1	1	AP
	5UN-22212-E0	SPRING (K=APPROX.5.3)	1	1	1	AP
	5UN-22212-F0	SPRING (K=APPROX.5.5)	1	1	1	AP
	5UN-22212-G0	SPRING (K=APPROX.5.7)	1	1	1	AP
2	4SS-23141-10	SPRING, FRONT FORK (K=0.38)	2	2	2	AP
	4SS-23141-20	SPRING, FRONT FORK (K=0.39)	2	2	2	AP
	4SS-23141-30	SPRING, FRONT FORK (K=0.40)	2	2	2	AP
	4SS-23141-40	SPRING, FRONT FORK (K=0.41)	2	2	2	AP
	4SS-23141-50	SPRING, FRONT FORK (K=0.42)	2	2	2	AP
	4SS-23141-60	SPRING, FRONT FORK (K=0.43)	2	2	2	AP
	4SS-23141-70	SPRING, FRONT FORK (K=0.44)	2	2	2	AP
	5BE-23141-L0	SPRING, FRONT FORK (K=0.45)	2	2	2	AP
	5BE-23141-00	SPRING, FRONT FORK (K=0.46)	2	2	2	AP
	5GR-23141-00	SPRING, FRONT FORK (K=0.47)	2	2	2	AP
	5ET-23141-20	SPRING (K=APPROX.0.40)	2	2	2	AP
	5ET-23141-00	SPRING (K=APPROX.0.41)	2	2	2	AP



5NL1100-1390

FIG. 44 ALTERNATE (CHASSIS)

REF. NO.	PART NO.	DESCRIPTION	SUM1	SUM2	SUM4	REMARKS
2	5ET-23141-30	SPRING (K=APPROX.0.42)	2	2	2	AP
	5ET-23141-10	SPRING (K=APPROX.0.43)	2	2	2	AP
	5ET-23141-40	SPRING (K=APPROX.0.44)	2	2	2	AP
3	4SS-23364-L0	COLLAR 2	2	2	2	UN AP
-----						
-----						
-----						
-----						
-----						
-----						
-----						
-----						
-----						
-----						



5TA1100-B400

FIG. 45 ALTERNATE

REF. NO.	PART NO.	DESCRIPTION	SUM1	SUM2	SUM4	REMARKS
1	5TA-W1228-00	DECOMPRESSION KIT	1			AP
2	93102-12224	.OIL SEAL	1			
3	5BE-12280-10	.DECOMPRESSION ASSY	1			
4	90508-162B2	.SPRING, TORSION	1			
5	5NL-12283-00	.BRACKET, DECOMPRESSION	1			
6	5BE-12292-10	.CABLE, DECOMPRESSION	1			
7	95827-06014	.BOLT, FLANGE	1			
8	583-83981-00	.LEVER, DECOMPRESSION	1			
9	5BE-83913-00	.COLLAR, LEVER 1	1			
10	98507-05020	.SCREW, PAN HEAD	1			
11	95607-05100	.NUT, U	1			
12	5BE-82912-00	.HOLDER, LEVER UPPER 1	1			
13	38V-82913-00	.HOLDER, LEVER LOWER 1	1			
14	97007-05016	.BOLT	2			
15	583-26352-00	.COVER, DECOMPRESSION CABLE	1			

NUMERICAL INDEX

PART NO.	GRID NO.	PART NO.	GRID NO.	PART NO.	GRID NO.	PART NO.	GRID NO.	PART NO.	GRID NO.	PART NO.	GRID NO.
5NL-11102-11	B - 2	1HX-12168-40	B - 5	5NL-13161-00	B - 11	5TJ-14425-00	B - 12	5NL-14916-EP	B - 14	3TJ-1494F-19	C - 2
4KG-1111G-00	B - 3	1HX-12168-60	B - 5	5NL-13171-00	B - 11	5TJ-14426-00	B - 12	5NL-14916-ER	B - 15	4JT-1494F-19	C - 2
5NL-11133-10	B - 2	1HX-12168-80	B - 5	5SG-13300-00	B - 10	5TA-14428-00	B - 12	5NL-14916-ES	B - 14	3TJ-1494F-20	C - 2
5NL-11134-10	B - 2	1HX-12168-A0	B - 5	5NL-13320-00	B - 10	5TJ-1442A-00	B - 13	5JG-14916-JR	B - 14	4JT-1494F-23	C - 2
5TA-11166-00	B - 2	1HX-12168-F0	B - 5	5NL-13341-00	B - 10	5TJ-14436-00	B - 12	5JG-14922-00	C - 3	4JT-1494F-27	C - 2
5BE-11167-00	B - 2	1HX-12168-H1	B - 5	5BE-13342-00	B - 10	5TJ-14437-00	B - 12	5GS-14933-00	C - 4	4JT-1494F-29	C - 2
371-11167-01	B - 2	1HX-12168-K1	B - 5	5NL-13411-00	B - 10	5BF-1443E-00	B - 13	3TJ-14933-40	C - 3	4JT-1494F-31	C - 2
5NL-11181-00	B - 2	1HX-12168-M1	B - 5	5NL-13412-00	B - 10	5NY-14442-00	B - 12	5TA-14934-00	C - 3	5JG-14951-00	B - 14
5NL-11191-00	B - 2	1HX-12168-R1	B - 5	5TA-13440-00	B - 11	5TJ-14451-00	B - 12	5GS-14940-00	C - 4	5GS-14958-00	C - 4
5NL-11193-00	B - 3	1HX-12168-U1	B - 5	5BE-13447-10	B - 11	5TA-14453-00	B - 12	5JG-14940-16	C - 3	5JG-14959-00	B - 14
5UL-11311-00	B - 3	1HX-12168-W1	B - 5	5UL-13464-00	B - 10	5NY-14455-00	B - 12	5JG-14940-17	C - 3	5JG-14984-00	C - 3
5NL-11351-00	B - 3	1HX-12168-Y1	B - 5	5UL-13465-00	B - 10	5TJ-14457-00	B - 13	5JG-14940-18	C - 3	4SR-14985-00	C - 2
5UM-11387-00	B - 3	1HX-12169-11	B - 6	5UL-13597-00	B - 12	5TJ-14458-00	B - 12	5JG-14940-76	C - 3	5TA-14987-00	B - 12
5UM-11400-00	B - 4	1HX-12169-31	B - 6	5UM-14101-00	B - 14	5TJ-14459-00	B - 12	5TA-14943-17	C - 2	5TJ-14987-00	C - 4
5UM-11412-00	B - 4	1HX-12169-50	B - 6	5UM-14101-10	B - 14	5TJ-14462-00	B - 13	4MX-14943-39	B - 15	5TA-14991-00	C - 3
5UL-11422-00	B - 4	1HX-12169-70	B - 6	3TJ-14105-40	C - 2	5TJ-14475-00	B - 12	4MX-14943-40	B - 15	4FN-14997-00	B - 14
5NL-11454-00	B - 4	1HX-12169-90	B - 6	4MX-14115-00	C - 3	5JG-14521-00	B - 15	4MX-14943-41	B - 15	5TA-14997-00	C - 4
5NL-11455-00	B - 4	1HX-12169-E0	B - 6	3TJ-14137-40	B - 12	5JG-14522-00	B - 14	4MX-14943-42	B - 15	5UM-15150-00	C - 6
5NL-11531-00	B - 4	1HX-12169-G0	B - 6		C - 3	5JG-14531-00	C - 4	4MX-14943-43	B - 15	5UM-15362-00	D - 4
5NL-11536-00	B - 4	1HX-12169-J0	B - 6	5BE-14146-00	C - 4	3TJ-14536-40	C - 3	4MX-14943-44	B - 15	3Y1-15363-00	C - 7
5NL-11603-00	B - 4	1HX-12169-L0	B - 6	5PA-14146-00	C - 4	5JG-14546-01	B - 14	4MX-14943-45	B - 15	4JT-15381-01	C - 6
5NL-11631-10	B - 4	1HX-12169-N0	B - 6	5TA-14155-00	C - 3	676-14548-00	C - 2	4MX-14943-46	B - 15	5BE-15383-01	C - 6
5NL-11633-00	B - 4	1HX-12169-T0	B - 6	633-14159-00	C - 2	4MX-14561-00	C - 3	4MX-14943-90	B - 15	5NL-15388-00	C - 6
5UL-11651-00	B - 4	5UM-12170-00	B - 7	3TJ-14159-40	B - 15	6H4-14561-00	C - 3	4MX-14943-91	B - 15	5UM-15411-00	C - 7
5UL-11681-00	B - 4	5UM-12180-00	B - 7	5TA-14171-00	C - 3	5NX-14562-00	C - 3	4MX-14943-92	B - 15	5NL-15415-00	C - 7
5NL-12111-10	B - 5	5TA-12210-00	B - 7	3TJ-14191-40	C - 3	5JG-14565-00	C - 4	4MX-14943-93	B - 15	5BE-15421-00	C - 6
5NL-12112-10	B - 5	4FM-12213-00	B - 7	5UL-14196-00	C - 4	5GS-14591-00	C - 4	4MX-14943-94	B - 15	5UM-15423-00	C - 7
5NL-12113-00	B - 5	5BE-12241-00	B - 7	5TA-14197-00	C - 4	5NL-14591-00	C - 4	4MX-14943-95	B - 15	5NL-15431-10	C - 7
5NL-12114-00	B - 5	5NL-12251-00	B - 7	5NX-14216-00	C - 3	688-14592-00	B - 14	4MX-14943-96	B - 15	5NL-15441-01	C - 6
5NL-12116-00	B - 5	5NL-12252-00	B - 7	5TA-14227-00	B - 12	5NL-14611-00	C - 5	4MX-14943-97	B - 15	5UM-15451-00	C - 7
1HX-12117-00	B - 5	5BE-12280-10	F - 9	5TA-14239-00	B - 12	5NL-14613-00	C - 5	5JG-14947-00	B - 15	5NL-15453-00	C - 8
1WG-12117-00	B - 5	5NL-12283-00	F - 9	5TA-14261-00	C - 4	5NL-14628-00	C - 5	4MX-14948-01	B - 15	5NL-15462-00	C - 7
1HX-12118-00	B - 5	5BE-12292-10	F - 9	5JG-14264-00	B - 15	5UM-14710-00	C - 5	4MX-14948-02	B - 15	5UM-15512-00	C - 10
1WG-12118-00	B - 5	5PH-1240A-00	B - 9	3TJ-14267-40	B - 14	5UM-14710-10	C - 5	4MX-14948-03	B - 15	5UM-15515-00	C - 10
4SV-12119-00	B - 5	5NL-12422-10	B - 8	5JG-14275-00	B - 15	5PH-14714-00	C - 5	4MX-14948-04	C - 2	5UM-15517-00	C - 10
4TV-12119-00	B - 5	5NL-12439-00	B - 8	5TA-14293-00	B - 12	4BD-14766-00	C - 5	4MX-14948-05	C - 2	4GY-15521-00	C - 10
5NL-12121-10	B - 5	5DH-12451-00	B - 8	3TJ-14293-40	C - 3	5BE-14788-00	C - 5	4MX-14948-06	C - 2	5UM-15532-00	C - 10
3GM-12126-00	B - 5	5NL-12459-00	B - 8	5TA-14335-00	C - 3	5BE-14916-D1	B - 14	4MX-14948-07	C - 2	5TJ-15590-00	C - 10
3FV-12153-00	B - 6	5PH-12461-00	B - 9	5JG-14346-00	C - 4	5BE-14916-DP	B - 14	4JT-1494F-11	C - 2	5NL-15601-00	C - 9
3LN-12153-00	B - 6	5HD-12462-00	B - 9	5TA-14371-00	C - 3	5BE-14916-DR	B - 14	3TJ-1494F-12	C - 2	5NL-15620-01	C - 9
3FV-12153-10	B - 6	5NL-12481-00	B - 9	5TA-14374-00	C - 3	5BE-14916-DS	B - 14	3TJ-1494F-13	C - 2	5NX-15621-01	C - 9
3LN-12153-10	B - 6	5Y9-12491-00	F - 5	5JG-14379-00	C - 3	5BE-14916-DT	B - 14	3TJ-1494F-14	C - 2	5NL-15641-00	C - 9
3FV-12153-20	B - 6	5NL-12564-00	C - 7	5JG-14388-00	B - 14	5BE-14916-DU	B - 14	3TJ-1494F-15	C - 2	5NL-15651-00	C - 9
3LN-12153-20	B - 6	5SG-12576-00	B - 9	4MX-14392-00	C - 2	5BE-14916-DV	B - 14	4JT-1494F-15	C - 2	5NL-15664-00	C - 9
3FV-12153-30	B - 6	5SG-12577-00	B - 9	5TJ-14401-00	B - 12	5NL-14916-E1	B - 14	3TJ-1494F-16	C - 2	5SG-15668-00	C - 9
3LN-12153-30	B - 6	5SG-12578-00	B - 9	5TJ-1441A-00	B - 13	5NL-14916-EL	B - 14	3TJ-1494F-17	C - 2	4GY-15671-00	C - 9
1HX-12168-00	B - 5	5SG-12579-00	B - 9	5TJ-1441E-00	B - 12	5NL-14916-EM	B - 14	4JT-1494F-17	C - 2	214-15686-00	C - 9
1HX-12168-20	B - 5	583-13113-00	B - 11	5TJ-1441G-00	B - 12	5NL-14916-EN	B - 14	3TJ-1494F-18	C - 2	5NL-16111-00	C - 11



NUMERICAL INDEX

PART NO.	GRID NO.	PART NO.	GRID NO.	PART NO.	GRID NO.	PART NO.	GRID NO.	PART NO.	GRID NO.	PART NO.	GRID NO.
5NL-16150-10	C - 11	5HD-2135F-00	D - 8	5NY-2217A-00	D - 7	5UM-23103-40	D - 13	5UL-23340-L0	D - 13	5NY-25448-00	E - 6
5NL-16154-00	C - 11	5NY-2135F-00	D - 8	5NY-2217F-00	D - 8	5BF-23110-L0	D - 13	4SS-23346-L0	D - 14	5GS-25448-50	E - 6
3XJ-16321-00	C - 11	5UL-21417-00	D - 4	5MV-22184-00	D - 9	5UN-23111-L0	D - 12	5NY-23346-L0	D - 13	5NY-25449-00	E - 6
5DH-16321-00	C - 11	5UL-21417-10	D - 4	5UM-22199-00	D - 7	5DH-23118-L0	D - 12	3SP-23356-L0	D - 14	5NY-25450-00	E - 6
5NL-16325-00	C - 11	5NL-21425-00	D - 3	5UM-22201-00	D - 9	5DH-23120-L0	D - 12	4SS-23364-L0	F - 8	5GS-25450-50	E - 6
5NL-16325-10	C - 11	5NL-21425-10	D - 3	5UM-22201-10	D - 9	5ET-23125-L0	D - 12	4DA-23389-00	D - 11	5NY-25451-00	E - 7
5HD-16351-00	C - 11	5GS-21458-50	E - 11	5UM-22201-30	D - 9	3JD-2312G-L0	D - 12	4GY-23389-00	D - 11	5NY-25452-00	E - 6
5NL-16356-00	C - 11	5NL-21471-01	D - 4	5UM-22201-40	D - 9	5TA-23136-L0	D - 12	5HD-23393-L0	D - 12	5GS-25452-50	E - 6
5NL-16357-00	C - 11	5NL-2147A-00	D - 4	5UM-22210-00	D - 9	5BE-23141-00	F - 7	5BF-2339E-00	F - 2	5PH-25454-50	E - 6
5NL-16371-00	C - 11	5UM-2147A-00	D - 4	5UM-22210-10	D - 9	5ET-23141-00	F - 7	4EW-23416-00	D - 11	5CG-25715-00	E - 10
5JG-16381-00	C - 11	5PH-21481-00	D - 4	5UM-22210-30	D - 9	5GR-23141-00	F - 7	5PH-23435-00	D - 11		E - 12
5NL-16383-10	C - 11	5HD-21511-00	D - 5	5UM-22210-40	D - 9	5NL-23141-00	D - 12	3SP-23441-00	D - 11	5DH-25718-01	E - 8
4JT-16384-00	C - 11	5UN-2153A-00	D - 8	5UN-22212-00	F - 7	4SS-23141-10	F - 7	5TJ-24110-00	D - 15	5UN-2580T-00	E - 5
5NL-16384-00	C - 11	4XL-2153A-10	D - 14	5UN-22212-10	F - 7	5ET-23141-10	F - 8	4EW-2412F-00	D - 15	5UN-2580W-20	E - 8
5NL-17121-00	C - 13	4ES-2153E-01	D - 5	5UN-22212-20	D - 9	4SS-23141-20	F - 7	24X-24144-00	D - 15	5MV-2581T-00	E - 5
5PH-17131-00	C - 13	5TJ-21610-00	D - 5		F - 7	5ET-23141-20	F - 7	5SF-24173-00	D - 15	5UN-25827-60	E - 8
5PH-17141-01	C - 13	5TA-21635-00	D - 5	5UN-22212-30	F - 7	4SS-23141-30	F - 7	4FU-24181-00	C - 5	5UN-25828-60	E - 8
5PH-17151-00	C - 13	5PH-2163G-50	D - 5	5UN-22212-40	D - 9	5ET-23141-30	F - 8	5TJ-24181-00	D - 15	5NY-2582W-00	E - 8
5PH-17211-00	C - 13	5TA-21642-00	D - 5		F - 7	4SS-23141-40	F - 7	5BE-24182-00	D - 15	5MV-25833-00	E - 10
5NL-17221-00	C - 13	5TJ-21677-00	F - 3	5UN-22212-50	F - 7	5ET-23141-40	F - 8	5NY-24183-00	D - 15	5UN-2583V-00	E - 12
5PH-17231-00	C - 13	5TJ-21711-00	D - 6	5UN-22212-60	F - 7	4SS-23141-50	F - 7	5NY-24186-00	D - 15	5MV-25852-01	E - 10
5PH-17241-01	C - 13	5TJ-21721-00	D - 6	5UN-22212-70	F - 7	4SS-23141-60	F - 7	5TJ-24240-01	E - 2	5UN-25852-50	E - 12
5PH-17251-00	C - 13	5PH-2172A-10	D - 6	5UN-22212-80	D - 9	4SS-23141-70	F - 7	3XJ-24380-00	D - 15	56A-25854-00	E - 10
5NL-17402-00	C - 13	5TJ-21730-00	D - 6	5UN-22212-A0	F - 7	4SR-23141-L0	D - 12	5UN-24500-01	D - 15	5GU-25854-00	E - 12
5PH-17411-10	C - 13	5TJ-2173E-00	D - 6	5UN-22212-B0	F - 7	4XL-23141-L0	D - 12	4X8-24512-00	D - 15	5UN-2585B-00	E - 12
5NL-17466-00	C - 6	5TJ-2173F-00	D - 6	5UN-22212-C0	F - 7	5BE-23141-L0	F - 7	3AJ-24523-00	D - 15	5MV-25867-00	E - 10
5NL-17471-00	C - 14	5TJ-21740-00	D - 6	5UN-22212-D0	F - 7	5DH-23142-L0	D - 12	3AJ-24534-00	D - 15	5NY-25868-00	E - 10
5UL-18101-00	D - 2	3JD-21748-00	D - 5	5UN-22212-E0	F - 7	5HD-23144-L0	D - 12	5NY-24610-00	D - 15	5TJ-25872-00	E - 10
5UL-18110-00	D - 2	5TJ-2174A-00	D - 6	5UN-22212-F0	F - 7	5UN-23145-L0	D - 12	5TJ-2470F-00	E - 3	5UN-25873-00	E - 12
5LP-18122-00	D - 2	5TJ-2174T-00	D - 5	5UN-22212-G0	F - 7	5UN-23146-L0	D - 12	5TJ-24710-00	E - 3	5DH-25875-00	E - 5
3XK-18140-00	C - 15	5TA-21756-00	D - 3	3SP-22213-00	D - 9	5DH-23149-L0	D - 12	5NY-25104-00	E - 4	2VM-25876-00	E - 12
5BE-18172-00	D - 2	2TK-21757-00	B - 13	5DH-22214-00	D - 9	5DH-2314E-00	E - 5	5NG-25111-50	E - 4	5MV-2589F-00	E - 10
3XJ-18173-00	D - 2	5TJ-21757-00	B - 13	5MV-22224-00	D - 9	5DH-2314F-L0	D - 14	5NY-25117-00	E - 4	3SP-25914-51	E - 5
3XJ-18178-00	D - 2	4XV-2177L-00	B - 12	4JX-22226-00	D - 9	4SS-2314G-L0	D - 14	5BE-25181-00	E - 4	5DH-25916-00	E - 5
3XJ-18182-00	D - 2	5JG-21781-50	D - 6	3SP-22234-00	D - 9	5TA-2314H-00	D - 14	5NY-25183-00	E - 4		E - 8
3XJ-18184-00	D - 2	5GS-21871-00	D - 6	5NY-22241-00	D - 10	5TJ-2314J-00	D - 14	5NG-25190-50	E - 4	3JD-25917-00	E - 5
4EW-18185-00	D - 2	26H-21874-00	D - 6	5DH-22253-00	D - 9	4SS-23153-L0	D - 12	5GS-25304-00	E - 6		E - 8
5NL-18501-00	C - 15	26H-21875-00	D - 6	5MV-22253-00	D - 9	4SS-23158-L0	D - 12	5ET-25311-00	E - 6	5DH-25919-00	E - 5
5NL-18502-00	C - 15	5UN-22110-00	D - 7	5UN-22355-00	D - 7	5UM-2316A-L0	D - 12	5ET-25317-00	E - 6	5DH-25919-50	E - 8
5NL-18503-00	C - 15	5NY-22121-00	D - 7	4EW-22474-00	D - 9	5UM-2316A-M0	D - 12	4XM-25364-00	E - 6	8CR-25924-00	E - 8
5NL-18541-00	C - 15	5NY-22122-00	D - 8	3JE-22475-00	D - 9	5TJ-23170-L0	D - 12	5ET-25367-00	E - 7	3SP-25926-01	E - 5
4BA-18542-00	C - 15	5UM-22128-00	D - 7	5NY-22475-00	D - 9	5ET-23171-L0	D - 12	5ET-25381-00	E - 7	5DH-25933-00	E - 5
5DH-18562-00	C - 6	5NY-22141-01	D - 7	5UN-22898-60	E - 8	5BF-2317M-00	E - 15	5UN-25383-00	E - 7	1UY-25937-51	E - 5
5UM-21101-00	D - 3	5UN-22151-00	D - 7	5UM-23102-00	D - 12	5DH-23183-00	D - 9	5NY-25388-00	E - 7		E - 8
5TJ-21190-00	D - 3	5JG-22156-00	D - 7	5UM-23102-10	D - 12	509-23184-L0	D - 9	5NY-25389-00	E - 7	4XM-26111-00	E - 9
5TJ-2128A-00	F - 5	5UN-22176-00	D - 9	5UM-23102-40	D - 12	5MV-23195-L0	D - 12	3JE-25394-00	E - 6	5BE-26240-00	E - 9
5NG-21338-00	D - 4	4EW-22178-00	D - 3	5UM-23103-00	D - 12	5TJ-2319U-00	D - 11	4XM-25394-00	E - 6	4GY-26241-00	E - 9
5TJ-21338-00	D - 4	3JD-22178-10	D - 3	5UM-23103-10	D - 13	5HC-2331E-00	D - 14	5SF-25394-00	E - 4	4GY-26242-00	E - 9

NUMERICAL INDEX

PART NO.	GRID NO.	PART NO.	GRID NO.	PART NO.	GRID NO.	PART NO.	GRID NO.	PART NO.	GRID NO.	PART NO.	GRID NO.
3Y1-26249-00	E - 9	42X-82151-00	F - 6	5TA-85885-00	C - 3	90119-08238	D - 6	90201-10119	E - 11	90401-08038	B - 11
5BE-26281-00	E - 9	5UL-82310-00	F - 5	5NY-W0041-00	E - 10	90149-05163	F - 4	90201-112U6	E - 11	90401-10159	B - 11
5BE-26282-00	E - 9	5TJ-82510-00	F - 6	5UN-W0042-50	E - 12	90149-06011	D - 15	90201-12166	B - 10	90401-10172	E - 10
5SF-26287-00	E - 9	5TJ-82514-00	F - 6	5MV-W0045-01	E - 5	90149-06126	C - 6	90201-127E1	E - 13		E - 12
5TA-26302-01	E - 9	5TJ-82540-00	F - 5	5UN-W0046-60	E - 8	90149-06250	B - 4	90201-145M4	D - 3	90430-06014	B - 2
5TA-26334-00	F - 4	5TJ-82590-10	F - 5	3JD-W0047-00	E - 5	90149-06326	C - 6	90201-14740	D - 8		B - 7
5UM-26335-00	E - 9	5TJ-82911-00	F - 4	5UN-W0047-50	E - 8	90149-06327	E - 5	90201-15701	C - 7		B - 8
5TA-26337-00	F - 4	5BE-82912-00	F - 9	1UY-W0048-50	E - 5	90151-04048	D - 7	90201-160F6	D - 7	90430-08119	B - 11
5TA-26339-00	F - 4	38V-82913-00	F - 9		E - 8	90152-06010	C - 9	90201-162H4	C - 9		D - 3
5HD-26342-00	E - 9	5TA-82913-01	F - 4	5UN-W0057-00	E - 5	90154-05026	F - 5	90201-167P7	C - 9	90430-10188	B - 11
583-26352-00	F - 9	5TJ-82917-00	F - 4	5UN-W0057-50	E - 8	90157-02031	E - 15	90201-177G4	C - 9		C - 6
5NY-26372-00	E - 10	5TA-82946-00	F - 4	5TA-W1228-00	F - 9	90159-06078	D - 6	90201-20014	C - 10	90445-09100	D - 15
5TJ-26372-00	F - 4	5TJ-8350E-00	E - 15	5UN-W2587-00	E - 10	90159-06092	C - 11	90201-203U1	E - 7	90445-09220	D - 15
4XM-27200-00	E - 11	4V5-83513-00	E - 15	90101-06001	C - 9	90159-06182	D - 6	90201-20685	C - 9	90445-11185	D - 15
5JG-27217-00	E - 11	5NG-83519-00	E - 15	90101-06664	D - 2	90159-06189	F - 2	90201-247L2	D - 11	90445-112K0	B - 2
5UN-27217-00	E - 12	437-83525-00	E - 15	90101-08777	E - 7	90170-14171	B - 4	90201-286K9	D - 11	90450-22017	B - 9
5UN-27218-00	E - 12	1M1-83526-00	E - 15	90101-10738	E - 11	90170-16326	C - 11	90202-05193	D - 15		B - 10
5UN-27222-00	E - 12	5BF-83550-00	E - 15	90105-05361	D - 11	90170-24373	D - 11	90202-08045	B - 14	90450-25037	B - 9
5BF-27311-00	E - 11	5TJ-8355W-00	E - 15	90105-06027	B - 2	90179-06568	D - 7	90206-06090	C - 5	90450-32015	B - 9
5GS-27315-50	E - 11	5TJ-8355W-10	E - 15	90105-06154	D - 5	90179-12248	E - 13	90209-20008	C - 13	90450-54002	B - 12
5ET-27411-00	E - 11	1AE-83578-00	E - 15	90105-06553	C - 6	90179-16672	E - 4	90209-23012	C - 13	90450-57092	B - 12
1HX-27415-00	F - 3	2HR-83592-00	E - 15		C - 14	90179-18001	C - 11	90215-14204	B - 4	90450-61001	B - 12
5ET-27421-00	E - 11	5TJ-83912-00	F - 4	90105-065A1	C - 8		C - 14	90215-16289	C - 11	90461-11099	F - 3
5TA-27491-00	E - 8	5BE-83913-00	F - 9	90105-08120	D - 3	90179-28650	D - 11	90215-20003	C - 11	90464-13073	F - 5
5TA-2814F-00	D - 4	5MV-83922-00	E - 10	90105-08659	E - 5	90183-06023	B - 13		C - 14	90464-13077	F - 5
5ET-28166-00	D - 4	5TA-83941-00	F - 4	90105-09002	B - 2	90185-08169	D - 3	90240-08120	E - 11	90464-15195	F - 5
5TJ-2831V-00	D - 11	5HD-83951-00	F - 4	90105-09555	B - 2		E - 7	90240-10142	E - 11	90464-23041	F - 5
3FV-28386-00	B - 13	5TJ-83976-00	F - 4	90105-10323	D - 9	90185-10002	D - 3	90267-32146	B - 12	90464-29223	F - 5
5UM-81410-00	E - 13	5TJ-83976-10	F - 4	90105-10733	D - 3	90185-10060	D - 10	90280-03001	B - 4	90464-50255	F - 6
5TJ-81450-00	E - 13	5NG-83976-50	F - 4	90109-06027	F - 4	90185-14007	D - 8	90338-18064	B - 7	90465-10013	C - 6
5UM-81528-00	C - 8	583-83981-00	F - 9	90109-063F8	C - 15	90185-16127	D - 7	90338-18176	D - 3	90465-13152	D - 15
5UM-81801-00	E - 14	5BF-84310-00	F - 2	90109-06418	B - 7	90185-20168	E - 7	90340-12112	B - 2		F - 5
5UM-81828-00	E - 14	8G9-84314-00	F - 2	90109-065G2	B - 11	90201-03313	B - 12	90340-14128	C - 7	90465-13275	F - 5
5UM-8183G-00	E - 14	5PH-84319-50	E - 15	90109-065G4	E - 8	90201-05033	E - 15	90340-27002	C - 7	90465-16258	E - 10
5UM-81861-00	E - 14	5BF-84330-00	F - 2	90109-066F0	B - 3	90201-06057	F - 3	90387-06009	D - 5	90467-09006	D - 6
5UM-81890-00	E - 14	5BF-84334-00	F - 2	90109-081G1	E - 7	90201-06557	D - 5	90387-06065	B - 9	90467-10008	D - 15
5TJ-81940-10	F - 6	5BF-84335-00	F - 2	90109-082G0	C - 9	90201-06571	B - 9	90387-065L5	F - 3	90467-11106	B - 2
8DM-81950-00	F - 6	55U-84337-00	F - 2	90110-06004	C - 10	90201-08089	E - 11	90387-086N4	D - 3	90467-14015	B - 2
5TJ-81952-00	F - 6	5BF-8433E-00	F - 2	90110-06058	B - 10	90201-080H1	C - 11	90387-1003G	E - 11	90467-17089	B - 13
5TJ-81953-00	B - 13	5BF-84397-00	F - 2	90110-08096	D - 3	90201-08326	C - 9	90387-124F4	D - 2	90468-16191	E - 11
5TJ-81960-00	F - 5	5TJ-84710-00	F - 3	90111-06029	E - 12		E - 7	90387-16005	D - 7	90480-01512	D - 5
4WA-81980-00	F - 5	36Y-84714-40	F - 3	90116-06541	B - 2	90201-08410	C - 3	90387-16007	D - 7	90480-14102	F - 3
5TJ-81980-00	F - 5	4GY-84723-00	F - 3	90119-05071	D - 11	90201-08512	B - 8	90387-167Y9	D - 7	90480-14532	D - 5
5UM-82100-09	F - 5	4GY-84733-00	F - 3	90119-06001	D - 4	90201-086P8	C - 5	90387-18004	D - 7	90480-15528	B - 9
5TJ-82115-00	F - 5	5UM-85540-00	F - 5	90119-06051	D - 6		D - 3	90387-18005	D - 7	90480-18549	D - 15
5UM-82116-00	F - 5	5UM-85540-10	F - 5	90119-06096	D - 5	90201-096J9	B - 2	90387-18007	C - 6	90501-043E0	B - 11
5SL-82119-10	F - 6	5UM-85540-20	F - 5	90119-06214	D - 15	90201-10118	E - 10	90387-20006	C - 13	90501-052G5	D - 2
8CY-82131-00	F - 5	5TJ-85546-00	F - 5	90119-06225	D - 5		E - 12	90387-22001	C - 13	90501-06022	C - 15

NUMERICAL INDEX

PART NO.	GRID NO.	PART NO.	GRID NO.	PART NO.	GRID NO.	PART NO.	GRID NO.	PART NO.	GRID NO.	PART NO.	GRID NO.
90501-12081	C - 9	93106-22019	D - 7	93340-21008	C - 11	95027-06016	E - 8	95827-06016	B - 13		
90501-16016	C - 9	93106-30044	E - 6	93342-22217	D - 7	95027-06020	B - 13		D - 6		
90501-220A0	C - 11	93106-30045	E - 6	93410-20038	C - 9		D - 2	95827-08012	D - 3		
90506-16500	E - 11	93109-11073	B - 8	93410-22039	C - 13		F - 5	97007-05016	F - 4		
90506-35473	E - 11	93109-20076	D - 7	93410-26067	C - 13	95027-06025	B - 7		F - 9		
90508-142B5	C - 12	93109-28043	D - 7	93420-16086	B - 4		B - 8	97027-06016	B - 7		
90508-162B2	F - 9	93210-07003	B - 11	93440-07149	B - 2		B - 9	97706-40530	F - 3		
90508-26561	C - 15	93210-07135	B - 11	93440-07182	B - 8		B - 10	97707-30512	B - 13		
90508-282B8	E - 11	93210-08001	D - 4		C - 11		B - 11	97707-50516	B - 13		
90508-282B9	E - 11	93210-09008	B - 11	93440-10153	B - 2		C - 7	97707-60016	D - 5		
90508-291A8	D - 2	93210-10197	B - 10		B - 10	95027-06030	C - 7	97780-40010	F - 3		
90508-30743	C - 9		C - 6	93440-41178	B - 7	95027-06035	B - 3	97801-03008	D - 15		
91314-06030	B - 10	93210-11073	E - 11	93503-08007	B - 11		C - 7	98502-04012	B - 14		
91316-04012	B - 14	93210-12759	B - 11	93507-32009	C - 9	95027-06040	C - 7	98507-04014	F - 4		
91317-05008	D - 7	93210-14369	C - 7	93511-32027	C - 11	95027-06050	D - 7	98507-05008	E - 14		
91317-05012	C - 8	93210-15414	B - 9	93603-16219	B - 10	95027-06065	B - 8	98507-05010	E - 12		
91317-05020	E - 13	93210-16716	C - 7	93604-10011	B - 8		B - 11	98507-05020	E - 9		
91317-06014	E - 10	93210-17570	C - 9	93608-33002	D - 2	95027-08012	D - 4		F - 9		
	E - 13	93210-19123	C - 7	93612-16254	B - 3		E - 15	98507-06025	C - 6		
91317-06025	C - 10	93210-196A4	C - 13		C - 6	95027-08020	E - 5	98706-04012	E - 10		
	E - 14	93210-21276	F - 5	9383B-13218	C - 13	95027-08035	D - 11	98707-06025	D - 15		
91317-06045	C - 6	93210-25711	E - 14	9383B-14222	C - 13	95027-08040	D - 3	98907-06025	D - 15		
91317-06055	C - 6	93210-27370	D - 7	94108-21008	E - 4		D - 11	98980-06008	C - 5		
91317-06070	C - 6	93210-42263	D - 12	94110-18008	E - 6	95027-08065	D - 3	99001-08600	B - 10		
91317-06100	C - 6	93210-47675	B - 11	94211-18176	E - 6	95027-10016	C - 6	99009-12400	B - 10		
91317-06110	C - 7	93210-60426	C - 7	94227-21101	E - 4	95027-10020	E - 11	99009-16400	C - 9		
91317-08020	C - 5	93300-60804	D - 3	94309-18146	E - 6	95607-05100	F - 4	99009-17400	C - 9		
91401-20012	E - 11	93306-00105	B - 8	94309-21161	E - 4		F - 9	99009-22500	C - 7		
91401-25015	E - 11	93306-00317	C - 13	94416-21005	E - 4	95607-06100	F - 4	99009-45500	E - 6		
91808-16023	B - 2	93306-00320	C - 13	94418-18006	E - 6	95607-10200	D - 9	99530-08012	B - 10		
91812-16001	C - 7	93306-07202	E - 6	94421-18005	E - 6	95617-08620	B - 2		C - 10		
91A20-05140	D - 6	93306-20335	B - 4	94591-53114	B - 7	95617-10100	E - 11	99530-08016	C - 7		
91A21-05125	D - 6	93306-20447	C - 13	94681-76021	E - 7	95701-06500	E - 10	99530-10114	B - 10		
92017-05008	E - 15	93306-20648	B - 4	94701-00410	B - 2	95704-06500	B - 3		C - 6		
92017-05012	F - 4	93306-27205	E - 6	94701-00411	B - 2	95707-06500	F - 3	99530-10116	C - 6		
92017-08055	D - 3	93306-27208	C - 13	95027-06008	F - 6	95707-08500	B - 2	9Y58A-76113	E - 7		
92907-05100	E - 14	93306-90403	E - 4	95027-06010	B - 2		D - 3				
92907-06600	B - 7	93306-90501	C - 15		C - 12		E - 7				
92907-08200	E - 5	93310-212R6	C - 10		D - 7	95804-06010	C - 5				
92990-10200	E - 11	93310-42038	C - 10		E - 15	95804-06016	C - 5				
93101-14164	C - 7	93310-63210	B - 4		F - 5	95817-08016	D - 4				
93102-12106	B - 8	93311-32261	B - 4	95027-06012	B - 8	95817-08020	C - 5				
93102-12224	C - 11	93315-32053	D - 8		B - 9	95817-10050	D - 3				
	D - 2	93315-32056	D - 7		B - 11	95817-10130	D - 3				
	F - 9	93317-11287	C - 11		D - 4	95827-06010	B - 9				
93102-18278	C - 9	93317-22262	D - 7		E - 8		F - 2				
93102-26468	E - 4	93332-00068	D - 11	95027-06016	C - 7	95827-06012	E - 5				
93102-28008	C - 13	93332-00081	D - 11		D - 15	95827-06014	F - 9				