

PARTS CATALOGUE

WR250FN (5PH1) U49

WR250F (5PH2) EUROPE

WR250FN (5PH4) OCEANIA,CANADA,SOUTH AFRICA

WR250FN/F
PARTS CATALOGUE
©2000 by Yamaha Motor Co., Ltd.
1st Edition, Dec. 2000
All rights reserved.
Any reprinting or unauthorized use
without the written permission of
Yamaha Motor Co., Ltd.
is expressly prohibited.
Printed in Japan

A3



A4

FOREWORD

This Parts Catalogue is related to the parts for the model(s) in the below frame. When you are ordering replacement parts, please refer to this Parts Catalogue and quote both part numbers and part names correctly.

WR250FN(5PH1/5HP4), WR250F(5PH2)

1. Modifications or additions which have been made after issue of the Parts Catalogue will be announced in the Yamaha Parts News. It is advisable that you make necessary corrections to the Parts Catalogue according to the Yamaha Parts News.

2. Abbreviations
The Following abbreviations are used in this Parts Catalogue.

“UR” Use specified parts number.

“UN” Use as many as needed.

“AP” Alternate Parts

“LM” Local Made (Parts need to be ordered locally)

“F#” Frame No. (Applicable machine No.)

3. Parts, which are to be supplied in an assembly, are listed with a dot(.) in front of the part name as shown below.

EXAMPLE

CARBURETOR ASSY

.JET, PILOT

.NOZZLE, MAIN

4. Number of component for assembly
The numeral appearing to the right of each component part indicates the quantity of parts for each assembly unit.

EXAMPLE

PART NO.	DESCRIPTION	Q'TY	REMARKS
2F5-83310-60	FRONT FLASHER LIGHT ASSY	2	
115-83311-60	.BULB (6V-18W)	1	
1M1-83309-60	.REFLECTOR	1	

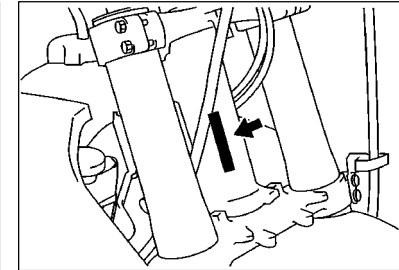
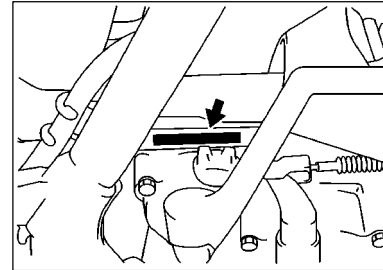
5. Applicable colors of graphics are represented in the “REMARKS” as shown below.

PART NO.	DESCRIPTION	Q'TY	REMARKS
2N4-24110-00-X5	FUEL TANK COMP.	1	MXR
3J1-24240-10	.GRAPHIC, FUEL TANK	1	FOR MXR

6. Applicable Serial No.

Engine Serial No.

Frame Serial No.



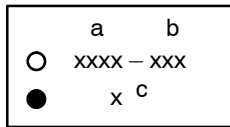
7. Note that the illustrations for reference in finding parts numbers, not to be used for assembling. When assembling, please use the applicable service manual.

8. The asterisk (*) before a reference number indicates modification items after the first edition.

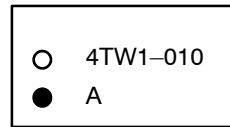
MODEL LABEL

(1) A label called "Model Label" is affixed in the location as indicated in (3) below.
When using this parts catalogue, please be sure to cross-refer the "model code – production code No." in the catalogue to the "model code – production code No." indicated on the Model Label affixed onto the product concerned.

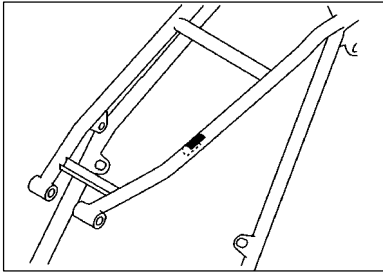
(2) "Model Label" Indication



a: Model Type Code
b: Production Code No.
c: Colouring Type



(3) Model Label Affixing Location



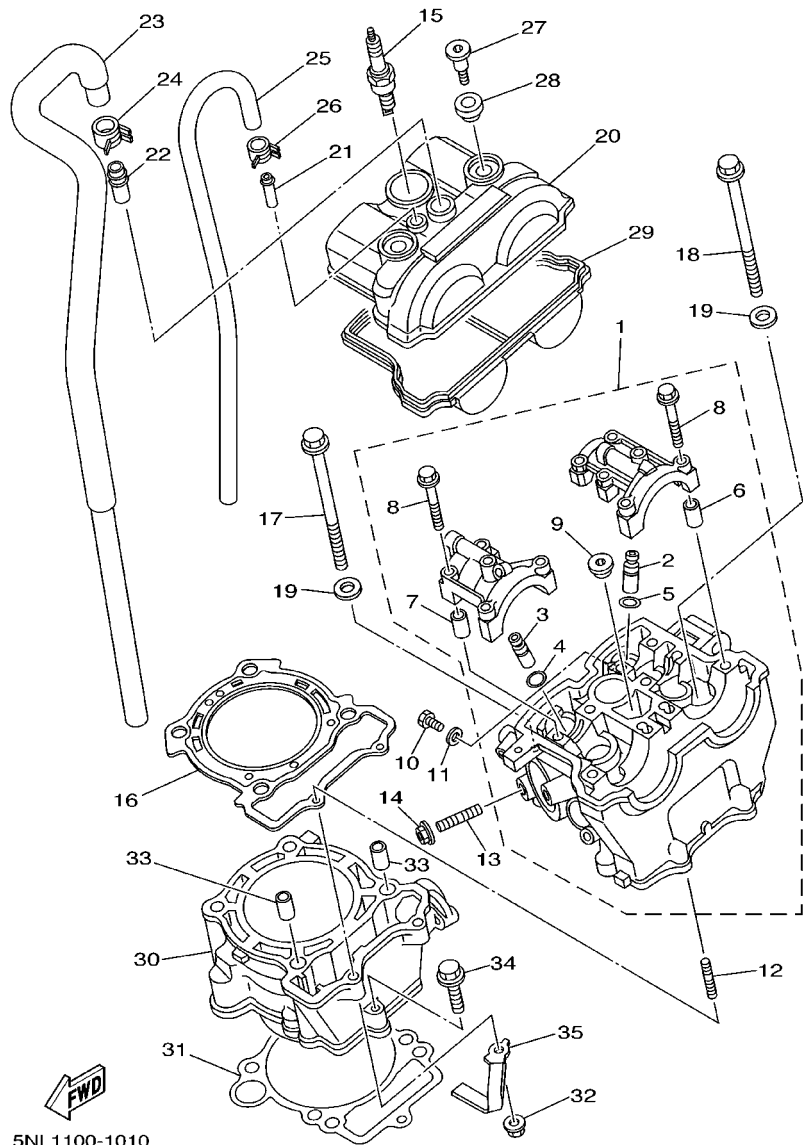
(4) Model Code – Production Code Number of Model Listed in This Parts Catalog

Model Code	Production Code No.	Country (destination)	Model Code	Production Code No.	Country (destination)
5PH1	010	U49	5PH4	040	SOUTH AFRICA
5PH2	010	FRANCE			
	020	BELGIUM			
	030	GERMANY			
	040	SPAIN			
	050	FINLAND			
		IRELAND			
	060	ENGLAND			
	070	GREECE			
	080	ITALY			
	090	PORTGAL			
5PH4	100	SWEDEN			
	010	AUSTRALIA			
	020	CANADA			
	030	NEW ZEALAND			

(5) Colouring Information

Model Code	Colouring type code	Colour code	Colour Name	Abbreviation
5PH1 5PH2 5PH4	A	0583	DEEP PURPLISH BLUE SOLID E	DPBSE

FIG. 1 CYLINDER



REF. NO.	PART NO.	DESCRIPTION				REMARKS
			5PH1	5PH2	5PH4	
1	5NL-11102-00	CYLINDER HEAD ASSY	1	1	1	
2	5NL-11133-10	.GUIDE, INTAKE VALVE	3	3	3	
3	5NL-11134-10	.GUIDE, EXHAUST VALVE	2	2	2	
4	93440-10153	.CIRCLIP	2	2	2	
5	93440-07149	.CIRCLIP	3	3	3	
6	91808-16023	.PIN, DOWEL	2	2	2	
7	91808-16023	.PIN, DOWEL	2	2	2	
8	90105-067A6	.BOLT, WASHER BASED	10	10	10	
9	90340-12112	.PLUG, STRAIGHT SCREW	1	1	1	
10	95027-06012	BOLT, FLANGE	1	1	1	
11	90430-06014	GASKET	1	1	1	
12	90116-06541	BOLT, STUD	2	2	2	
13	95617-08620	BOLT, STUD	1	1	1	
14	95707-08500	NUT, FLANGE	1	1	1	
15	94701-00330	PLUG, SPARK (NGK CR8E)	1	1	1	UR STD
	94701-00329	PLUG, SPARK (U24ESR-N)	1	1	1	UR STD
	94701-00318	PLUG, SPARK (NGK R CR9E)	1	1	1	AP
	94701-00319	PLUG, SPARK (ND U27ESR-N)	1	1	1	AP
16	5NL-11181-00	GASKET, CYLINDER HEAD 1	1	1	1	
17	90105-09555	BOLT, WASHER BASED	2	2	2	
18	90105-09002	BOLT, WASHER BASED	2	2	2	
19	90201-096J9	WASHER, PLATE	4	4	4	
20	5NL-11191-00	COVER, CYLINDER HEAD 1	1	1	1	
21	5BE-11167-00	PIPE, BREATHER 2	1	1	1	
22	371-11167-01	PIPE, BREATHER 2	1	1	1	
23	5BE-11166-00	PIPE, BREATHER 1	1	1	1	
24	90467-14015	CLIP	1	1	1	

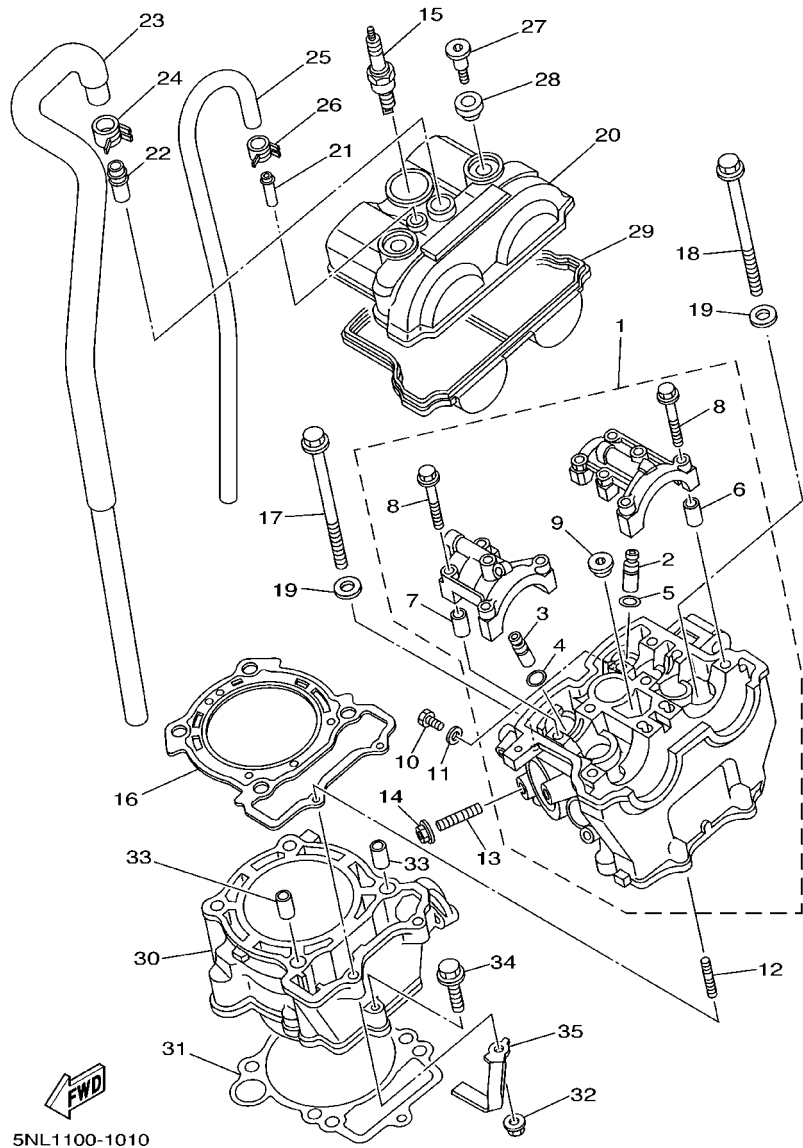
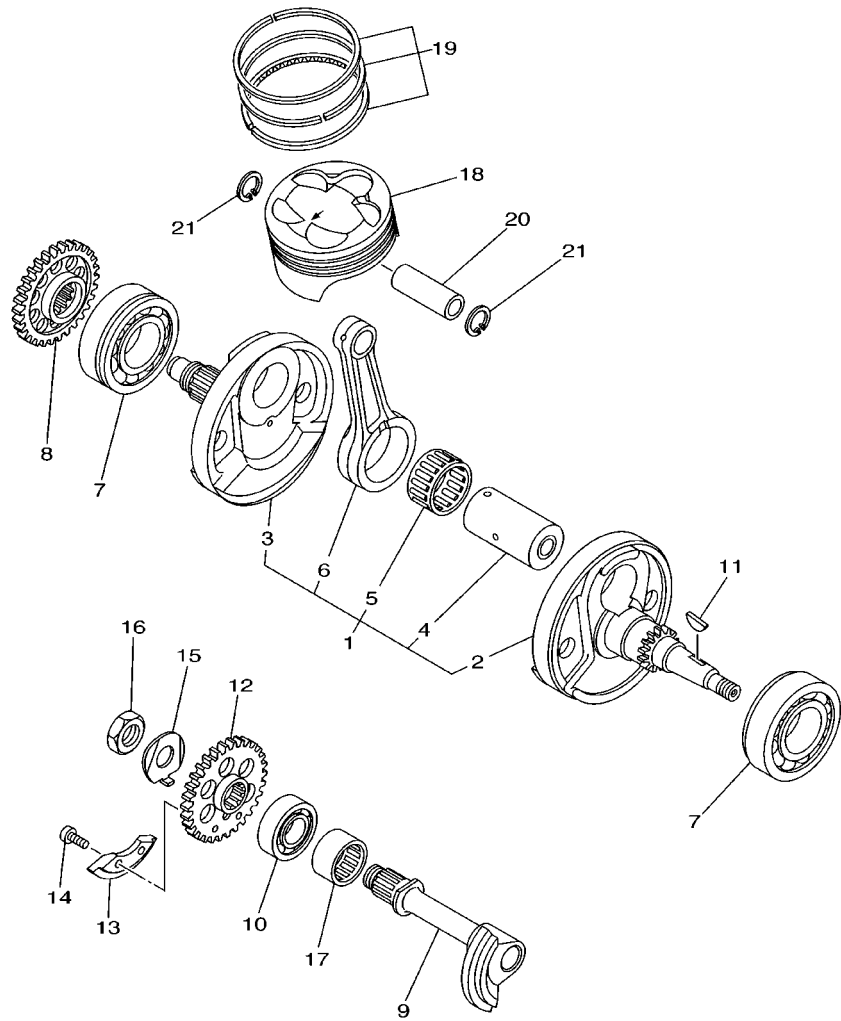


FIG. 1 CYLINDER

REF. NO.	PART NO.	DESCRIPTION	5PH1	5PH2	5PH4	REMARKS
25	90445-112K0	HOSE (L285)	1	1	1	
26	90467-11106	CLIP	2	2	2	
27	90109-066F0	BOLT	2	2	2	
28	4KG-1111G-00	RUBBER, MOUNT 1	2	2	2	
29	5NL-11193-00	GASKET, HEAD COVER 1	1	1	1	
30	5NL-11311-00	CYLINDER 1	1	1	1	
31	5NL-11351-00	GASKET, CYLINDER	1	1	1	
32	95704-06500	NUT, FLANGE	2	2	2	
33	93612-16254	PIN, DOWEL	2	2	2	
34	95027-06035	BOLT, FLANGE	1	1	1	
35	5JG-11387-00	CLAMP, HOSE 1	1	1	1	

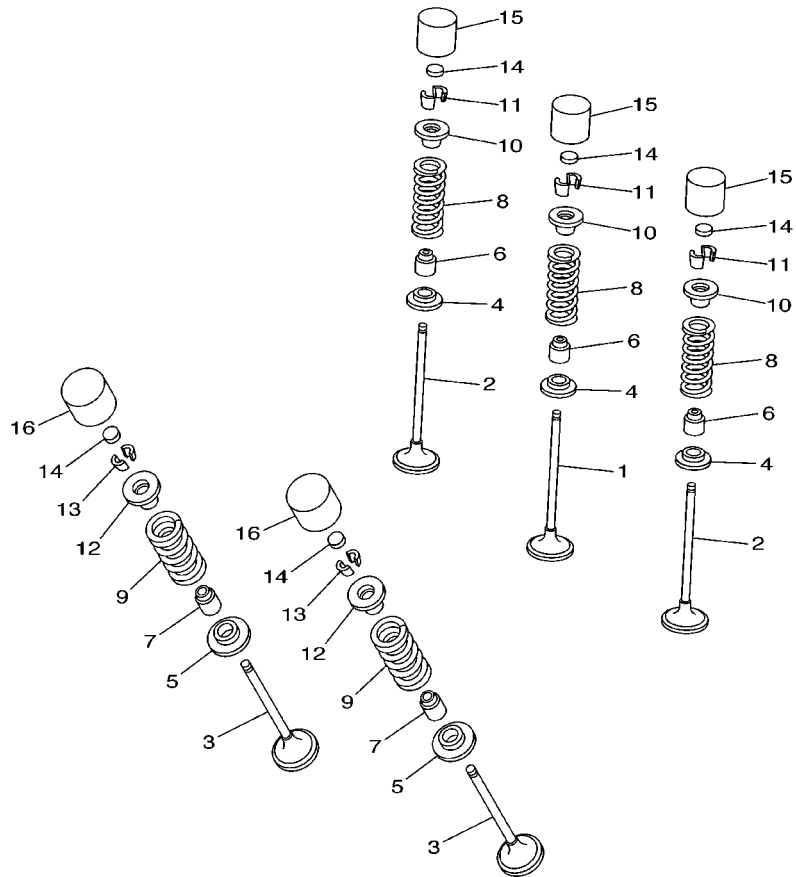
FIG. 2 CRANKSHAFT. PISTON



5NL1100-1020

REF. NO.	PART NO.	DESCRIPTION	5PH1	5PH2	5PH4	REMARKS
1	5NL-11400-10	CRANKSHAFT ASSY	1	1	1	
2	5NL-11412-00	.CRANK 1	1	1	1	
3	5NL-11422-00	.CRANK 2	1	1	1	
4	5NL-11681-00	.PIN, CRANK 1	1	1	1	
5	93310-63003	.BEARING	1	1	1	
6	5NL-11651-10	.ROD, CONNECTING	1	1	1	
7	93306-20648	BEARING	2	2	2	
8	5NL-11536-00	GEAR, DRIVE	1	1	1	
9	5NL-11455-00	SHAFT 1	1	1	1	
10	93306-20335	BEARING	1	1	1	
11	90280-03001	KEY, WOODRUFF	1	1	1	
12	5NL-11531-00	GEAR, BALANCE WT	1	1	1	
13	5NL-11454-00	WEIGHT 1	1	1	1	
14	90149-06250	SCREW	2	2	2	
15	90215-14204	WASHER, LOCK	1	1	1	
16	90170-14171	NUT	1	1	1	
17	93311-32261	BEARING	1	1	1	
18	5NL-11631-00	PISTON (STD)	1	1	1	
19	5NL-11603-00	PISTON RING SET (STD)	1	1	1	
20	5NL-11633-00	PIN, PISTON	1	1	1	
21	93420-16086	CIRCLIP	2	2	2	

FIG. 3 VALVE

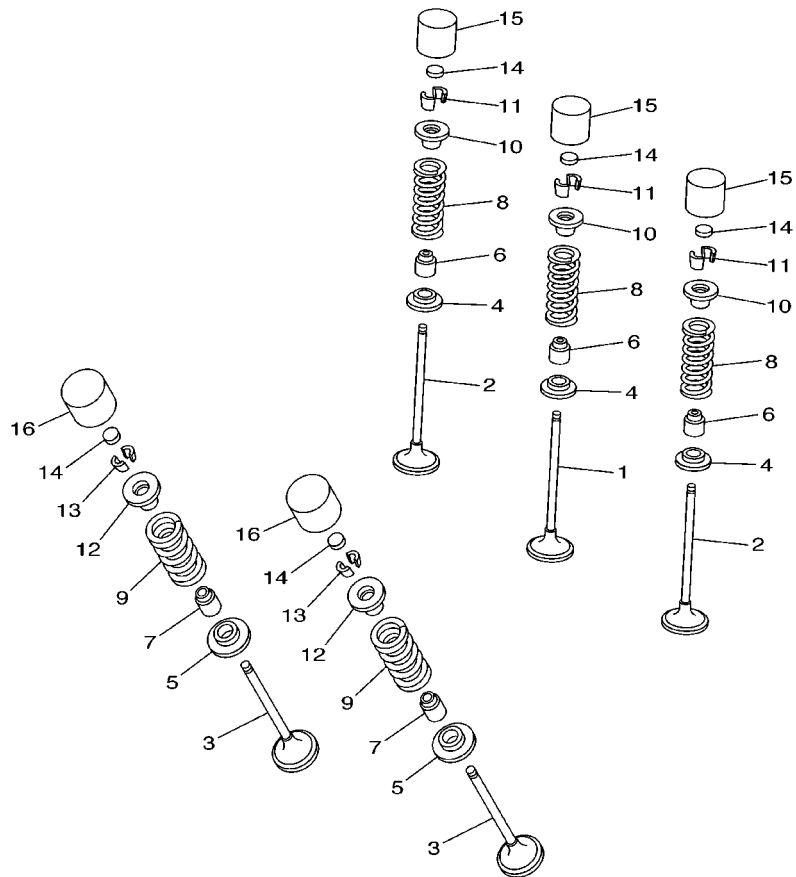


REF. NO.	PART NO.	DESCRIPTION	5PH1	5PH2	5PH4	REMARKS
1	5NL-12111-00	VALVE, INTAKE	1	1	1	
2	5NL-12112-00	VALVE, INTAKE 2	2	2	2	
3	5NL-12121-00	VALVE, EXHAUST	2	2	2	
4	5NL-12116-00	SEAT, VALVE SPRING	3	3	3	
5	3GM-12126-00	SEAT, VALVE SPRING 2	2	2	2	
6	4TV-12119-00	SEAL, VALVE STEM	3	3	3	
7	4SV-12119-00	SEAL, VALVE STEM	2	2	2	
8	5NL-12113-00	SPRING, VALVE INNER	3	3	3	
9	5NL-12114-00	SPRING, VALVE OUTER	2	2	2	
10	1HX-12117-00	RETAINER, VALVE SPRING	3	3	3	
11	1HX-12118-00	COTTER, VALVE	6	6	6	
12	1WG-12117-00	RETAINER, VALVE SPRING	2	2	2	
13	1WG-12118-00	COTTER, VALVE	4	4	4	
14	1HX-12168-00	PAD, ADJUSTING 2 (1.20)	5	5	5	UR
	1HX-12168-20	PAD, ADJUSTING 2 (1.25)	5	5	5	UR
	1HX-12168-40	PAD, ADJUSTING 2 (1.30)	5	5	5	UR
	1HX-12168-60	PAD, ADJUSTING 2 (1.35)	5	5	5	UR
	1HX-12168-80	PAD, ADJUSTING 2 (1.40)	5	5	5	UR
	1HX-12168-A0	PAD, ADJUSTING 2 (1.45)	5	5	5	UR
	1HX-12168-F0	PAD, ADJUSTING 2 (1.50)	5	5	5	UR
	1HX-12168-H1	PAD, ADJUSTING 2 (1.55)	5	5	5	UR
	1HX-12168-K1	PAD, ADJUSTING 2 (1.60)	5	5	5	UR
	1HX-12168-M1	PAD, ADJUSTING 2 (1.65)	5	5	5	UR
	1HX-12168-R1	PAD, ADJUSTING 2 (1.70)	5	5	5	UR
	1HX-12168-U1	PAD, ADJUSTING 2 (1.75)	5	5	5	UR
	1HX-12168-W1	PAD, ADJUSTING 2 (1.80)	5	5	5	UR
	1HX-12168-Y1	PAD, ADJUSTING 2 (1.85)	5	5	5	UR



5NL1100-1030

FIG. 3 VALVE

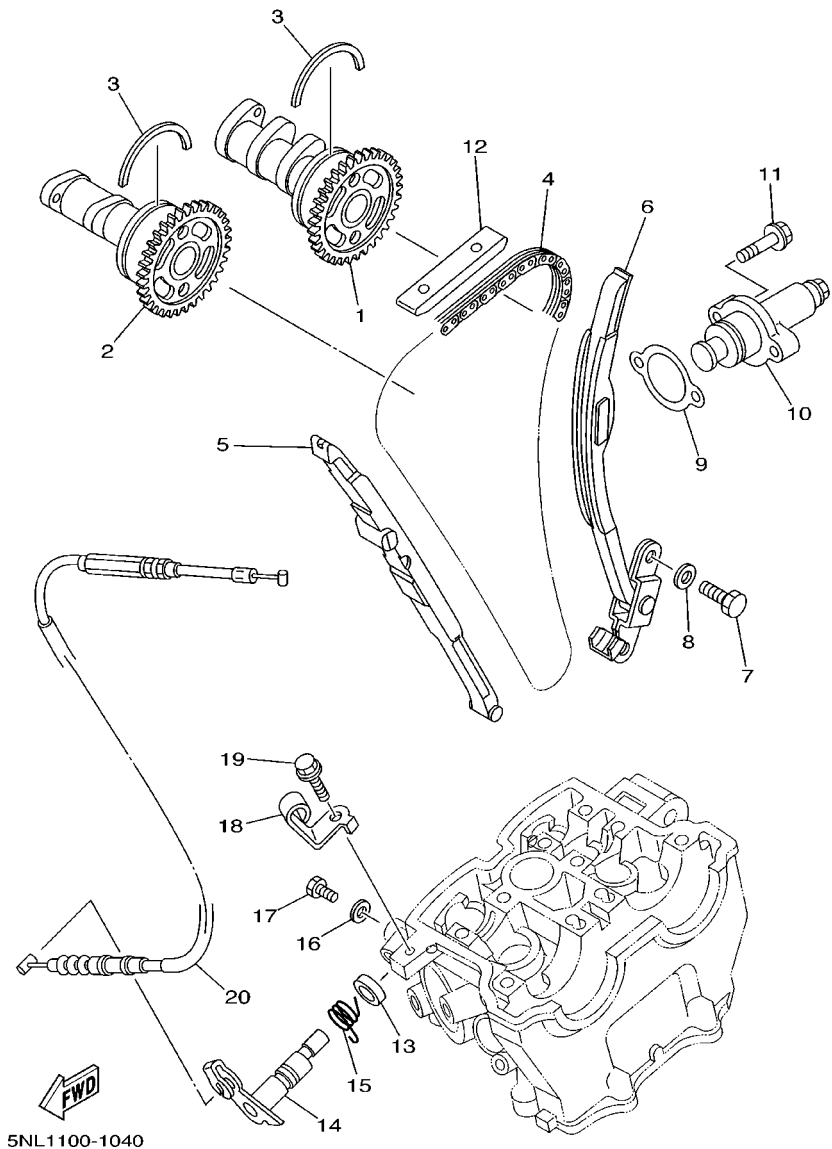


REF. NO.	PART NO.	DESCRIPTION	5PH1	5PH2	5PH4	REMARKS
14	1HX-12169-11	PAD, ADJUSTING 2 (1.90)	5	5	5	UR
	1HX-12169-31	PAD, ADJUSTING 2 (1.95)	5	5	5	UR
	1HX-12169-50	PAD, ADJUSTING 2 (2.00)	5	5	5	UR
	1HX-12169-70	PAD, ADJUSTING 2 (2.05)	5	5	5	UR
	1HX-12169-90	PAD, ADJUSTING 2 (2.10)	5	5	5	UR
	1HX-12169-E0	PAD, ADJUSTING 2 (2.15)	5	5	5	UR
	1HX-12169-G0	PAD, ADJUSTING 2 (2.20)	5	5	5	UR
	1HX-12169-J0	PAD, ADJUSTING 2 (2.25)	5	5	5	UR
	1HX-12169-L0	PAD, ADJUSTING 2 (2.30)	5	5	5	UR
	1HX-12169-N0	PAD, ADJUSTING 2 (2.35)	5	5	5	UR
	1HX-12169-T0	PAD, ADJUSTING 2 (2.40)	5	5	5	UR
15	3LN-12153-00	LIFTER, VALVE	3	3	3	UR BLACK
	3LN-12153-10	LIFTER, VALVE	3	3	3	UR YELLOW
	3LN-12153-20	LIFTER, VALVE	3	3	3	UR BLUE
	3LN-12153-30	LIFTER, VALVE	3	3	3	UR RED
16	3FV-12153-00	LIFTER, VALVE	2	2	2	UR BLACK
	3FV-12153-10	LIFTER, VALVE	2	2	2	UR YELLOW
	3FV-12153-20	LIFTER, VALVE	2	2	2	UR BLUE
	3FV-12153-30	LIFTER, VALVE	2	2	2	UR RED



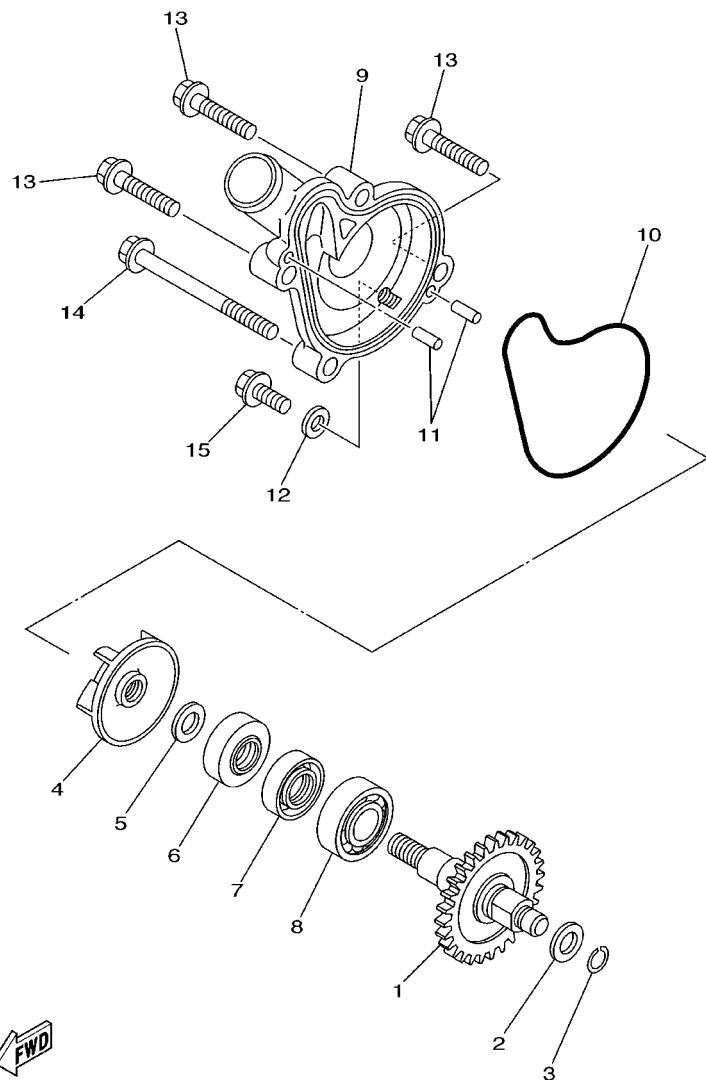
5NL1100-1030

FIG. 4 CAMSHAFT. CHAIN



REF. NO.	PART NO.	DESCRIPTION	5PH1	5PH2	5PH4	REMARKS
1	5PH-12170-00	CAMSHAFT ASSY 1	1	1	1	
2	5PH-12180-00	CAMSHAFT ASSY 2	1	1	1	
3	93440-41178	CIRCLIP	2	2	2	
4	94591-53114	CHAIN	1	1	1	
5	5NL-12251-00	DAMPER, CHAIN 1	1	1	1	
6	5NL-12252-00	DAMPER, CHAIN 2	1	1	1	
7	97027-06016	BOLT	2	2	2	
8	92907-06600	WASHER, PLATE	2	2	2	
9	4FM-12213-00	GASKET, TENSIONER CASE	1	1	1	
10	5BE-12210-00	TENSIONER ASSY, CAM CHAIN	1	1	1	
11	95027-06025	BOLT, FLANGE	2	2	2	
12	5BE-12241-00	GUIDE, STOPPER 2	1	1	1	
13	93102-12224	OIL SEAL	1	1	1	
14	5BE-12280-10	DECOMPRESSION ASSY	1	1	1	
15	90508-162B2	SPRING, TORSION	1	1	1	
16	90430-06014	GASKET	1	1	1	
17	90109-06418	BOLT	1	1	1	
18	5NL-12283-00	BRACKET, DECOMPRESSION	1	1	1	
19	95827-06014	BOLT, FLANGE	1	1	1	
20	5BE-12292-10	CABLE, DECOMPRESSION	1	1	1	

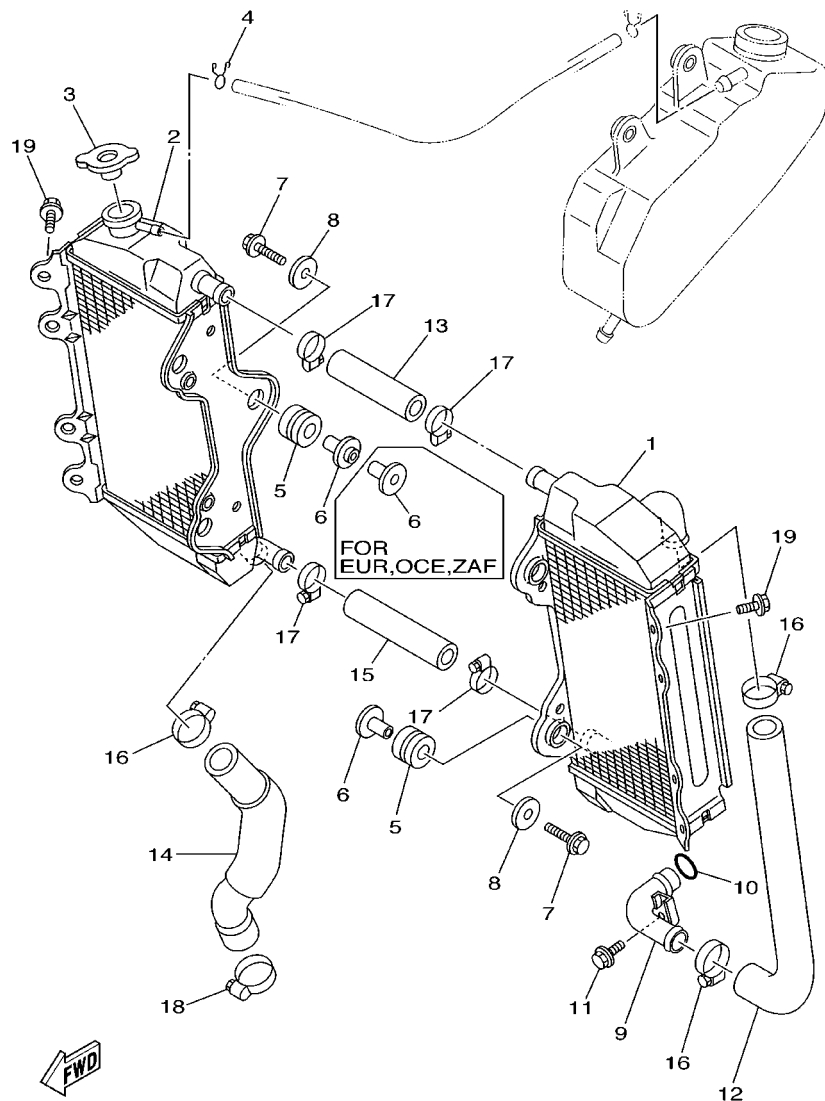
FIG. 5 WATER PUMP



FWD
5NL1100-1050

REF. NO.	PART NO.	DESCRIPTION	5PH1	5PH2	5PH4	REMARKS
1	5NL-12459-00	GEAR, IMPELLER SHAFT	1	1	1	
2	90201-08512	WASHER, PLATE	1	1	1	
3	93440-07182	CIRCLIP	1	1	1	
4	5DH-12451-00	IMPELLER, WATER PUMP	1	1	1	
5	90201-08512	WASHER, PLATE	1	1	1	
6	93109-11073	OIL SEAL	1	1	1	
7	93102-12106	OIL SEAL (SD 12-22-5 HS)	1	1	1	
8	93306-00105	BEARING (B6001)	1	1	1	
9	5NL-12422-00	COVER, HOUSING	1	1	1	
10	5NL-12439-00	O-RING	1	1	1	
11	93604-10011	PIN, DOWEL	2	2	2	
12	90430-06014	GASKET	1	1	1	
13	95027-06025	BOLT, FLANGE	3	3	3	
14	95027-06065	BOLT, FLANGE	1	1	1	
15	95027-06012	BOLT, FLANGE	1	1	1	

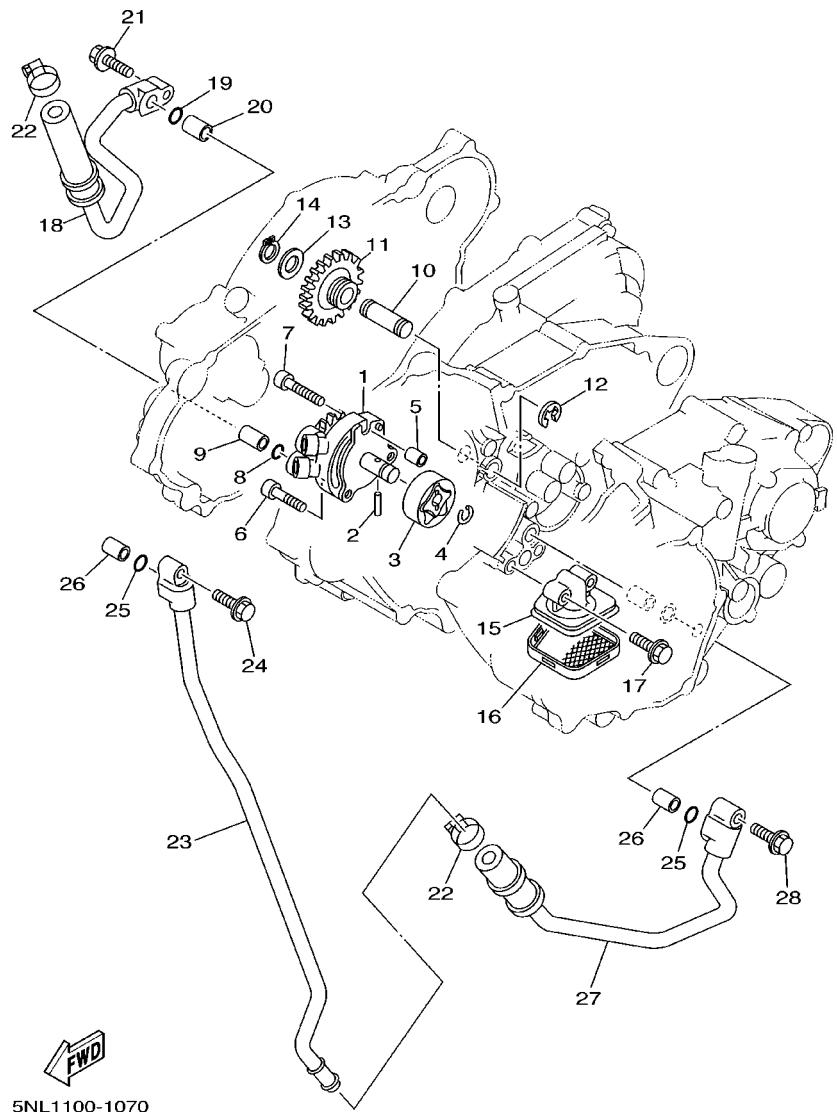
FIG. 6 RADIATOR. HOSE



5PH1100-1060

REF. NO.	PART NO.	DESCRIPTION	5PH1	5PH2	5PH4	REMARKS
1	5PH-1240A-00	RADIATOR ASSY	1	1	1	
2	5PH-12461-00	RADIATOR ASSY	1	1	1	
3	5HD-12462-00	CAP, RADIATOR	1	1	1	
4	90467-09006	CLIP	1	1	1	
5	90480-15528	GROMMET	6	6	6	
6	90387-06004	COLLAR	6	6	6	UR FOR CAN
	90387-0614M	COLLAR		6	6	UR FOR OCE,ZAF
7	95027-06030	BOLT, FLANGE	6	6	6	UR FOR CAN
	95027-06025	BOLT, FLANGE		6	6	UR FOR OCE,ZAF
8	90201-06071	WASHER, PLATE	6	6	6	
9	5NL-12481-00	PIPE 1	1	1	1	
10	93210-15414	O-RING	1	1	1	
11	95027-06012	BOLT, FLANGE	1	1	1	
12	5NL-12576-00	HOSE 1	1	1	1	
13	5PH-12577-00	HOSE 2	1			
	5NL-12577-00	HOSE 2		1	1	
14	5NL-12578-00	HOSE 3	1	1	1	
15	5NL-12579-00	HOSE 4	1	1	1	
16	90450-25037	HOSE CLAMP ASSY	3	3	3	
17	90450-22017	HOSE CLAMP ASSY	4	4	4	
18	90450-32015	HOSE CLAMP ASSY	1	1	1	
19	95827-06010	BOLT, FLANGE	2	2	2	

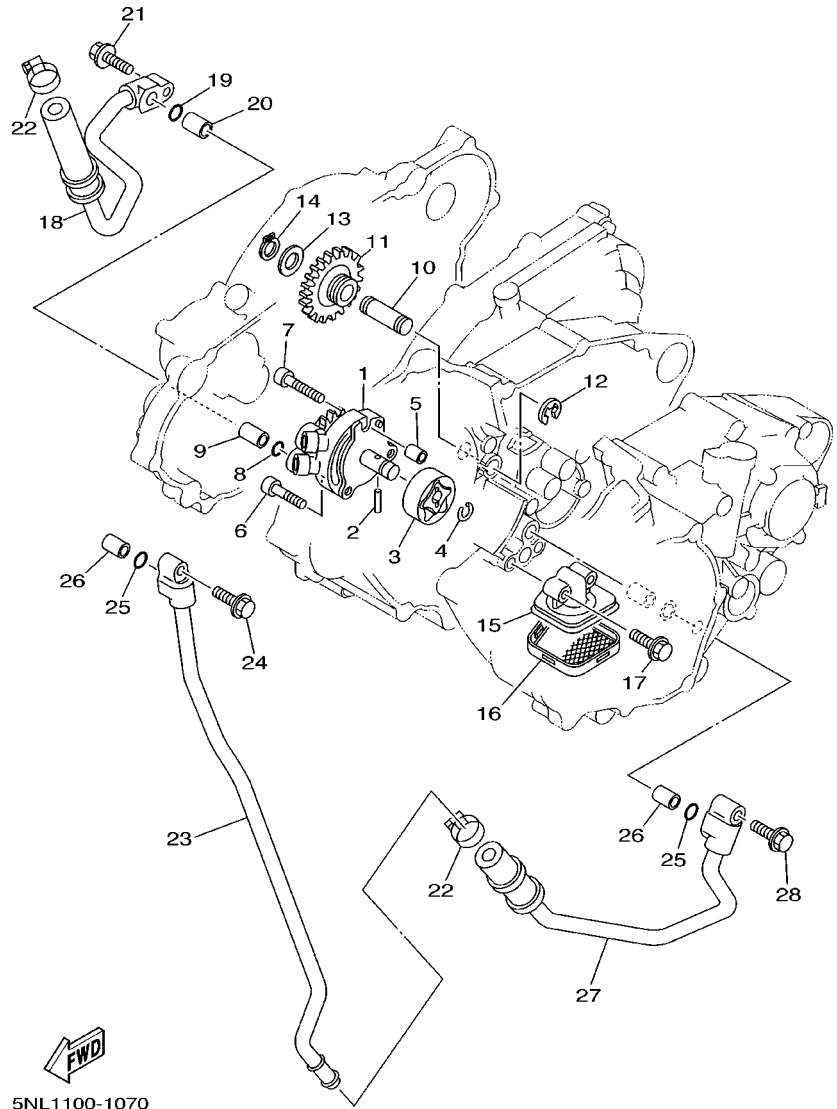
FIG. 7 OIL PUMP



5NL1100-1070

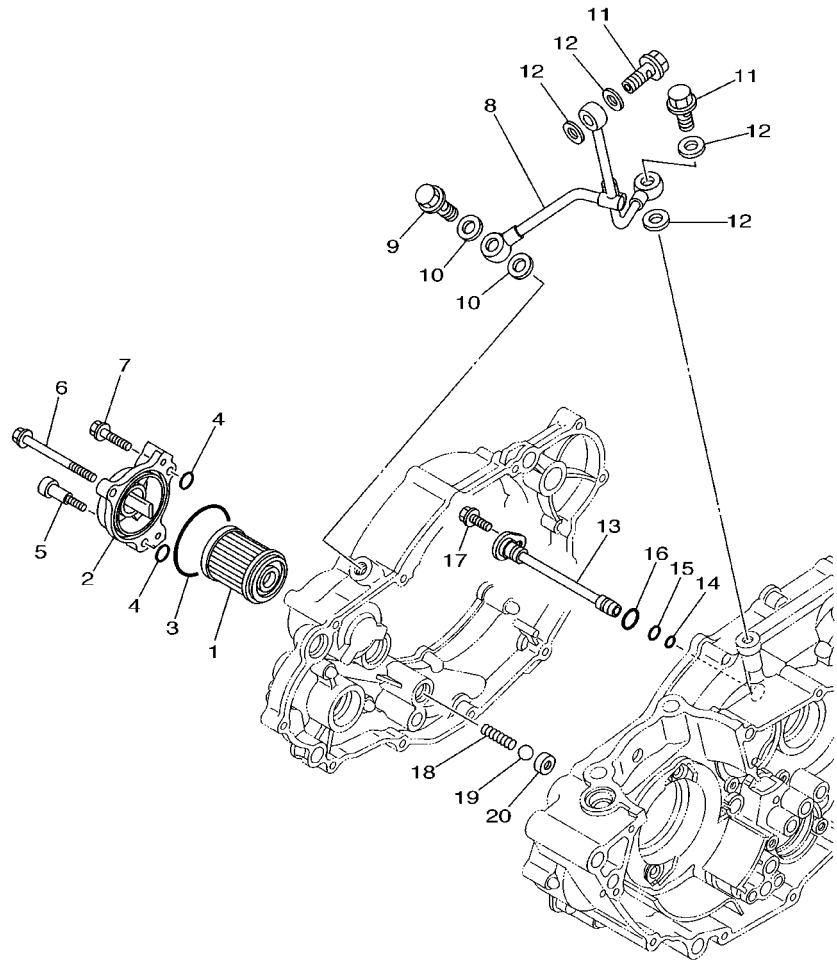
REF. NO.	PART NO.	DESCRIPTION	5PH1	5PH2	5PH4	REMARKS
1	5NL-13300-00	OIL PUMP ASSY	1	1	1	
2	93603-16219	PIN, DOWEL	1	1	1	
3	5NL-13320-00	ROTOR ASSY 2	1	1	1	
4	93440-10153	CIRCLIP	1	1	1	
5	99530-08012	PIN, DOWEL	1	1	1	
6	91317-06025	BOLT	2	2	2	
7	91314-06030	BOLT	1	1	1	
8	93210-10197	O-RING	1	1	1	
9	99530-10114	PIN, DOWEL	1	1	1	
10	5BE-13342-00	SHAFT, IDLE GEAR	1	1	1	
11	5NL-13341-00	GEAR, OIL PUMP IDLE	1	1	1	
12	99001-08600	CIRCLIP	1	1	1	
13	90201-12166	WASHER, PLATE	1	1	1	
14	99009-12400	CIRCLIP	1	1	1	
15	5NL-13412-00	HOUSING, STRAINER	1	1	1	
16	5NL-13411-00	STRAINER, OIL	1	1	1	
17	95027-06025	BOLT, FLANGE	2	2	2	
18	5NL-13464-00	HOSE, OIL 1	1	1	1	
19	93210-10197	O-RING	1	1	1	
20	99530-10114	PIN, DOWEL	1	1	1	
21	95027-06025	BOLT, FLANGE	1	1	1	
22	90450-22017	HOSE CLAMP ASSY	2	2	2	
23	5NL-13416-00	PIPE, OIL 1	1	1	1	
24	95024-06020	BOLT, FLANGE	1	1	1	
25	93210-10197	O-RING	2	2	2	
26	99530-10114	PIN, DOWEL	2	2	2	
27	5NL-13465-00	HOSE, OIL 2	1	1	1	

FIG. 7 OIL PUMP



REF. NO.	PART NO.	DESCRIPTION	5PH1	5PH2	5PH4	REMARKS
28	95027-06025	BOLT, FLANGE	1	1	1	

FIG. 8 OIL CLEANER

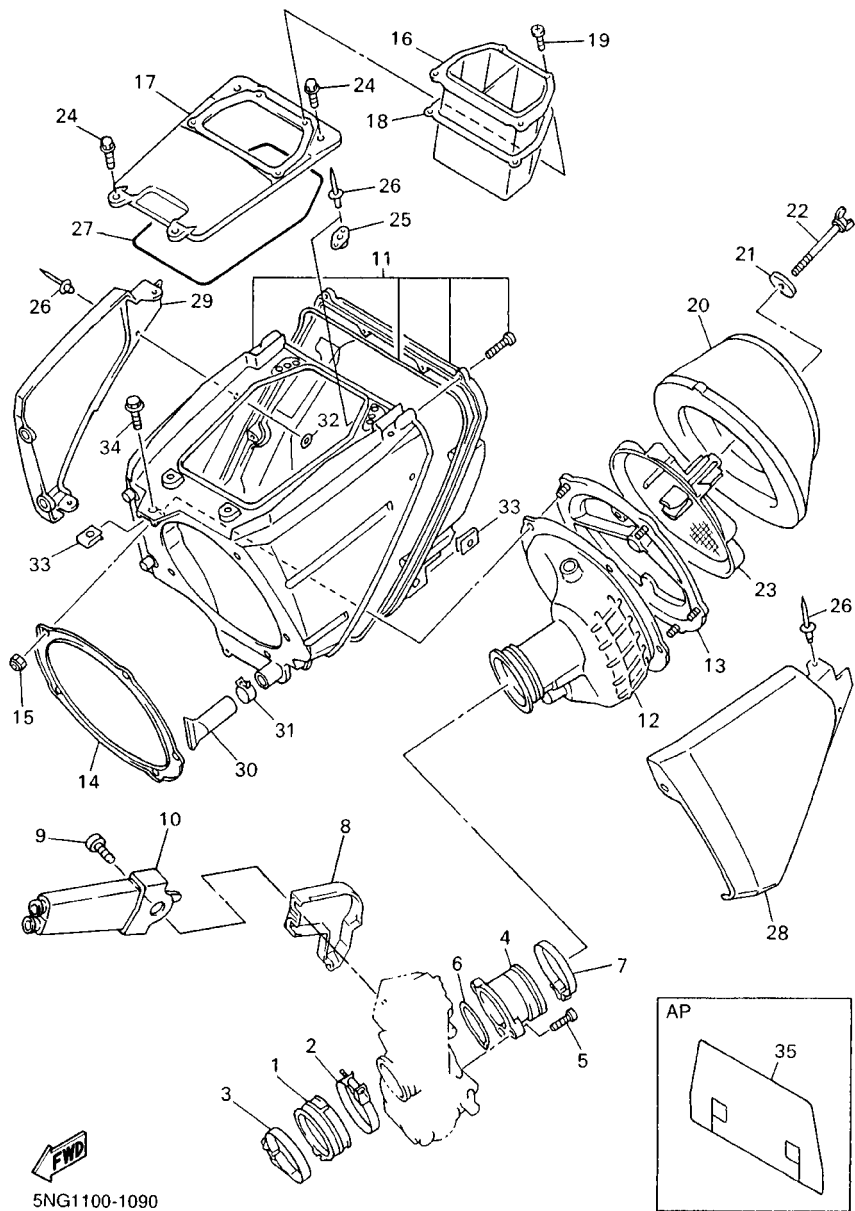


REF. NO.	PART NO.	DESCRIPTION				REMARKS
			5PH1	5PH2	5PH4	
1	1UY-13440-02	ELEMENT ASSY, OIL CLEANER	1	1	1	
2	5BE-13447-00	COVER, OIL ELEMENT	1	1	1	
3	93210-47675	O-RING	1	1	1	
4	93210-07135	O-RING	3	3	3	
5	90109-065G2	BOLT	1	1	1	
6	95027-06065	BOLT, FLANGE	1	1	1	
7	95027-06025	BOLT, FLANGE	1	1	1	
8	5NL-13161-00	PIPE, DELIVERY 1	1	1	1	
9	90401-10159	BOLT, UNION	1	1	1	
10	90430-10188	GASKET	2	2	2	
11	90401-08038	BOLT, UNION	2	2	2	
12	90430-08119	GASKET	4	4	4	
13	5NL-13171-00	PIPE, DELIVERY 2	1	1	1	
14	93210-07003	O-RING	1	1	1	
15	93210-09008	O-RING	1	1	1	
16	93210-12759	O-RING	1	1	1	
17	95027-06012	BOLT, FLANGE	1	1	1	
18	90501-043E0	SPRING, COMPRESSION	1	1	1	
19	93503-08007	BALL	1	1	1	
20	583-13113-00	SEAT, CHECK BALL	1	1	1	



5NL1100-1080

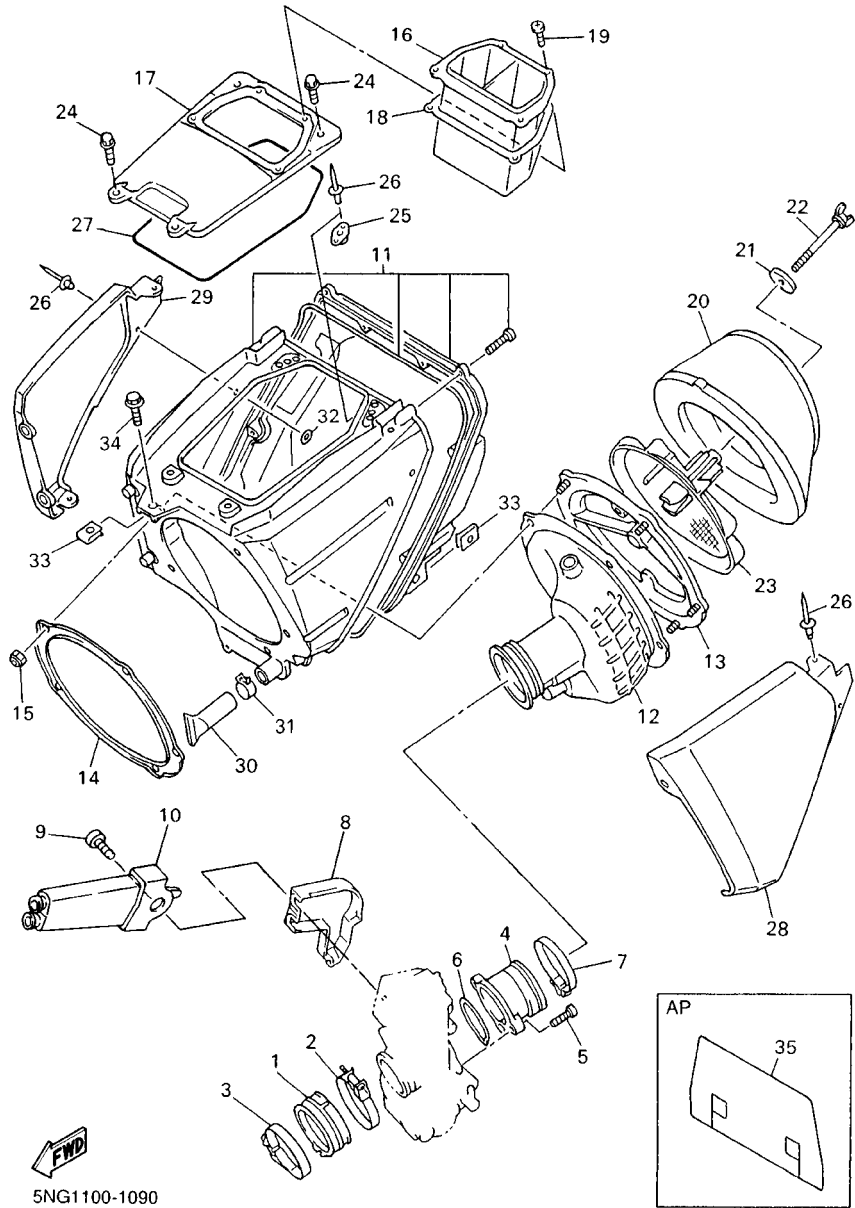
FIG. 9 INTAKE



5NG1100-1090

REF. NO.	PART NO.	DESCRIPTION	5PH1	5PH2	5PH4	REMARKS
1	5NL-13597-00	JOINT, CARBURETOR 3	1	1	1	
2	90450-57092	HOSE CLAMP ASSY	1	1	1	
3	90450-54093	HOSE CLAMP ASSY	1	1	1	
4	5JG-1440F-01	JOINT, AIR FILTER 1	1	1	1	
5	91317-05014	BOLT	2	2	2	
6	4FN-14561-00	O-RING	1	1	1	
7	90450-61001	HOSE CLAMP ASSY	1	1	1	
8	5JG-14293-01	COVER 1	1	1	1	
9	5JG-14428-00	BOLT	1	1	1	
10	5NG-14169-00	CAP	1	1	1	
11	5JG-14401-00	AIR CLEANER CASE ASSY	1	1	1	
12	5JG-14453-00	JOINT, AIR CLEANER 1	1	1	1	
13	3JD-14459-01	HOLDER, GUIDE	1	1	1	
14	5MV-14477-00	PLATE	1	1	1	
15	95607-05100	NUT, U	5	5	5	
16	5BF-14437-00	DUCT	1	1	1	
17	5BF-1441A-10	COVER, CLEANER CASE 1	1	1	1	
18	5BF-14452-00	SEAL	1	1	1	
19	97707-50012	SCREW, TAPPING	4	4	4	
20	4XM-14451-00	ELEMENT, AIR CLEANER	1	1	1	
21	90209-06096	WASHER	1	1	1	
22	90122-06035	BOLT, WING	1	1	1	
23	5BE-14458-00	GUIDE	1	1	1	
24	90146-06014	SCREW, OVAL FILLISTER	4	4	4	
25	5BF-14493-00	STAY 1	2	2	2	
26	90267-32070	RIVET, BLIND	9	9	9	
27	5BF-14457-00	SEAL	1	1	1	

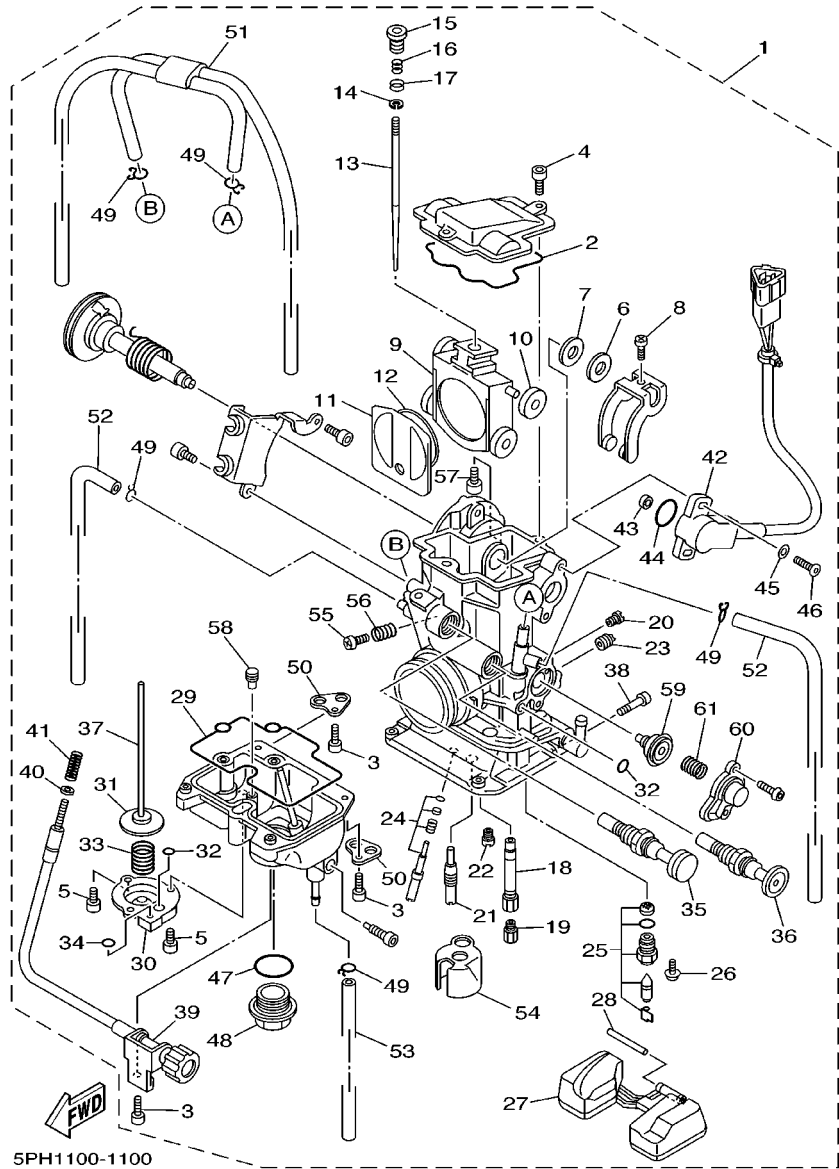
FIG. 9 INTAKE



5NG1100-1090

REF. NO.	PART NO.	DESCRIPTION	5PH1	5PH2	5PH4	REMARKS
28	5BE-1441A-10	COVER, CLEANER CASE 1	1	1	1	
29	5BE-1441E-10	COVER, CLEANER CASE 2	1	1	1	
30	5BF-1443E-00	PIPE, DRAIN	1	1	1	
31	90467-17089	CLIP	1	1	1	
32	90201-03313	WASHER, PLATE	5	5	5	
33	90183-06023	NUT, SPRING	2	2	2	
34	95027-06012	BOLT, FLANGE	1	1	1	
35	5JG-14417-00	COVER 1	1	1	1	AP

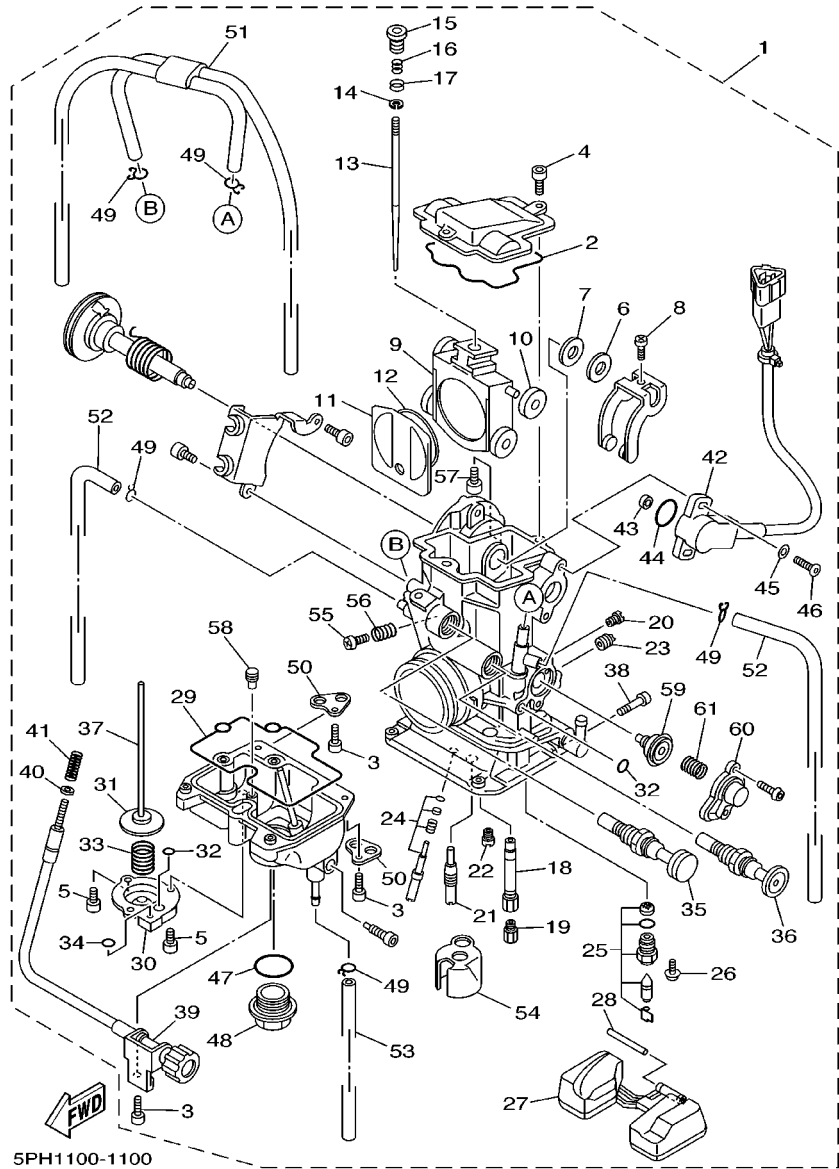
FIG. 10 CARBURETOR



5PH1100-1100

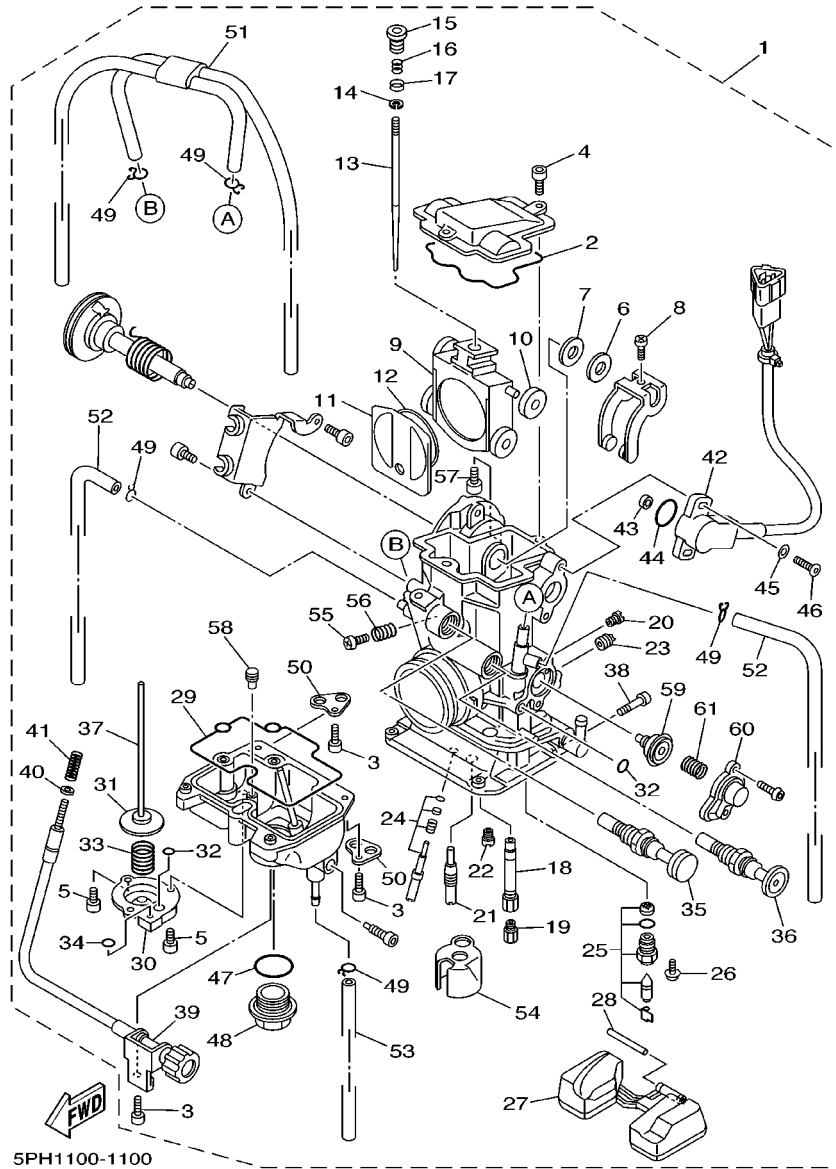
REF. NO.	PART NO.	DESCRIPTION	5PH1	5PH2	5PH4	REMARKS
1	5PH-14101-00	CARBURETOR ASSY 1	1			
	5PH-14101-10	CARBURETOR ASSY 1		1		
	5PH-14101-20	CARBURETOR ASSY 1			1	
2	5JG-14959-00	.GASKET	1	1	1	
3	91316-04012	.BOLT	4	4	4	
4	91316-04012	.BOLT	2	2	2	
5	91316-04008	.BOLT	3	3	3	
6	90202-08045	.WASHER, PLATE	1	1	1	
7	5JG-14951-00	.WASHER	1	1	1	
8	5JG-14522-00	.SCREW, ADJUST	1	1	1	
9	5JG-14388-00	.VALVE, VACUUM CONTROL	1	1	1	
10	3TJ-14267-40	.ROLLER	1	1	1	
11	5JG-14546-01	.VALVE, NEEDLE	1	1	1	
12	4FN-14997-00	.SEAL	1	1	1	
13	5NL-14916-EP	.NEEDLE (#OBELP)	1			STD
	5NL-14916-EL	.NEEDLE (#OBELL)	1			AP
	5NL-14916-EM	.NEEDLE (#OBELM)	1			AP
	5NL-14916-EN	.NEEDLE (#OBELN)	1			AP
	5NL-14916-E1	.NEEDLE (#OBELQ)	1			AP
	5NL-14916-ER	.NEEDLE (#OBELR)	1			AP
	5NL-14916-ES	.NEEDLE (#OBELS)	1			AP
	5NL-14916-GP	.NEEDLE (#OBEGP)		1		STD
	5NL-14916-GL	.NEEDLE (#OBEGL)		1		AP
	5NL-14916-GM	.NEEDLE (#OBEGM)		1		AP
	5NL-14916-GN	.NEEDLE (#OBEGN)		1		AP
	5NL-14916-G1	.NEEDLE (#OBEGQ)		1		AP
	5NL-14916-GR	.NEEDLE (#OBEGR)		1		AP

FIG. 10 CARBURETOR



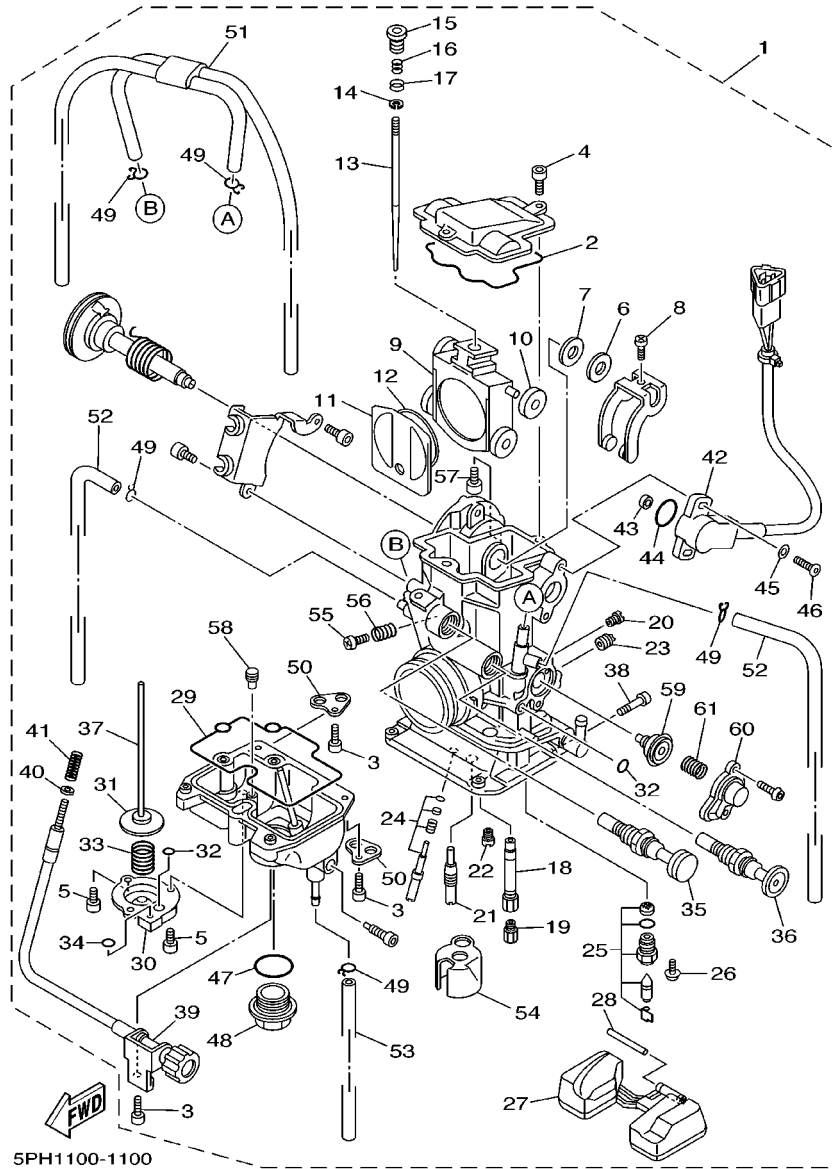
REF. NO.	PART NO.	DESCRIPTION	5PH1	5PH2	5PH4	REMARKS
13	5NL-14916-GS	.NEEDLE (#OBEGS)		1		AP
	5NL-14916-HP	.NEEDLE (#OBEHP)			1	STD
	5NL-14916-HL	.NEEDLE (#OBEHL)			1	AP
	5NL-14916-HM	.NEEDLE (#OBEHM)			1	AP
	5NL-14916-HN	.NEEDLE (#OBEHN)			1	AP
	5NL-14916-H1	.NEEDLE (#OBEHQ)			1	AP
	5NL-14916-HR	.NEEDLE (#OBEHR)			1	AP
	5NL-14916-HS	.NEEDLE (#OBEHS)			1	AP
14	3TJ-14159-40	.CLIP	1	1	1	
15	5JG-14521-00	.SCREW, ADJUST	1	1	1	
16	5JG-14275-00	.SPRING	1	1	1	
17	5JG-14264-00	.COLLAR	1	1	1	
18	5JG-14947-00	.NOZZLE, MAIN	1	1	1	
19	4MX-14943-41	.JET, MAIN (#170)	1	1	1	STD
	4MX-14943-39	.JET, MAIN (#160)	1	1	1	AP
	4MX-14943-90	.JET, MAIN (#162)	1	1	1	AP
	4MX-14943-40	.JET, MAIN (#165)	1	1	1	AP
	4MX-14943-91	.JET, MAIN (#168)	1	1	1	AP
	4MX-14943-92	.JET, MAIN (#172)	1	1	1	AP
	4MX-14943-42	.JET, MAIN (#175)	1	1	1	AP
	4MX-14943-93	.JET, MAIN (#178)	1	1	1	AP
	4MX-14943-43	.JET, MAIN (#180)	1	1	1	AP
	4MX-14943-94	.JET, MAIN (#182)	1	1	1	AP
	4MX-14943-44	.JET, MAIN (#185)	1	1	1	AP
20	3TJ-14943-47	.JET (#200)	1	1	1	
21	4MX-14948-04	.JET, SLOW (#42)	1	1	1	STD
	4MX-14948-01	.JET, SLOW (#35)	1	1	1	AP

FIG. 10 CARBURETOR



REF. NO.	PART NO.	DESCRIPTION				REMARKS
			5PH1	5PH2	5PH4	
21	4MX-14948-02	.JET, SLOW (#38)	1	1	1	AP
	4MX-14948-03	.JET, SLOW (#40)	1	1	1	AP
	4MX-14948-05	.JET, SLOW (#45)	1	1	1	AP
	4MX-14948-06	.JET, SLOW (#48)	1	1	1	AP
	4MX-14948-07	.JET, SLOW (#50)	1	1	1	AP
22	3TJ-1494F-16	.JET (#72)	1	1	1	STD
	3TJ-1494F-12	.JET (#62)	1	1	1	AP
	3TJ-1494F-13	.JET (#65)	1	1	1	AP
	3TJ-1494F-14	.JET (#68)	1	1	1	AP
	3TJ-1494F-15	.JET (#70)	1	1	1	AP
	3TJ-1494F-17	.JET (#75)	1	1	1	AP
	3TJ-1494F-18	.JET (#78)	1	1	1	AP
	3TJ-1494F-19	.JET (#80)	1	1	1	AP
	3TJ-1494F-20	.JET (#82)	1	1	1	AP
23	7A9-14943-17	.JET (#75)	1	1	1	
24	5NL-14105-00	.PILOT SCREW SET	1	1	1	
25	5BE-14107-00	.NEEDLE VALVE SET	1	1	1	
26	5BE-14216-00	.SCREW	1	1	1	
27	4SR-14985-00	.FLOAT	1	1	1	
28	676-14548-00	.PIN, FLOAT ARM	1	1	1	
29	5JG-14984-00	.GASKET, FLOAT CHAMBER	1	1	1	
30	3TJ-14293-40	.COVER 1	1	1	1	
31	5JG-14940-75	.DIAPHRAGM ASSY	1	1	1	STD
	5JG-14940-06	.DIAPHRAGM ASSY	1	1	1	AP
	5JG-14940-07	.DIAPHRAGM ASSY	1	1	1	AP
	5JG-14940-08	.DIAPHRAGM ASSY	1	1	1	AP
32	3TJ-14536-40	.GASKET	2	2	2	

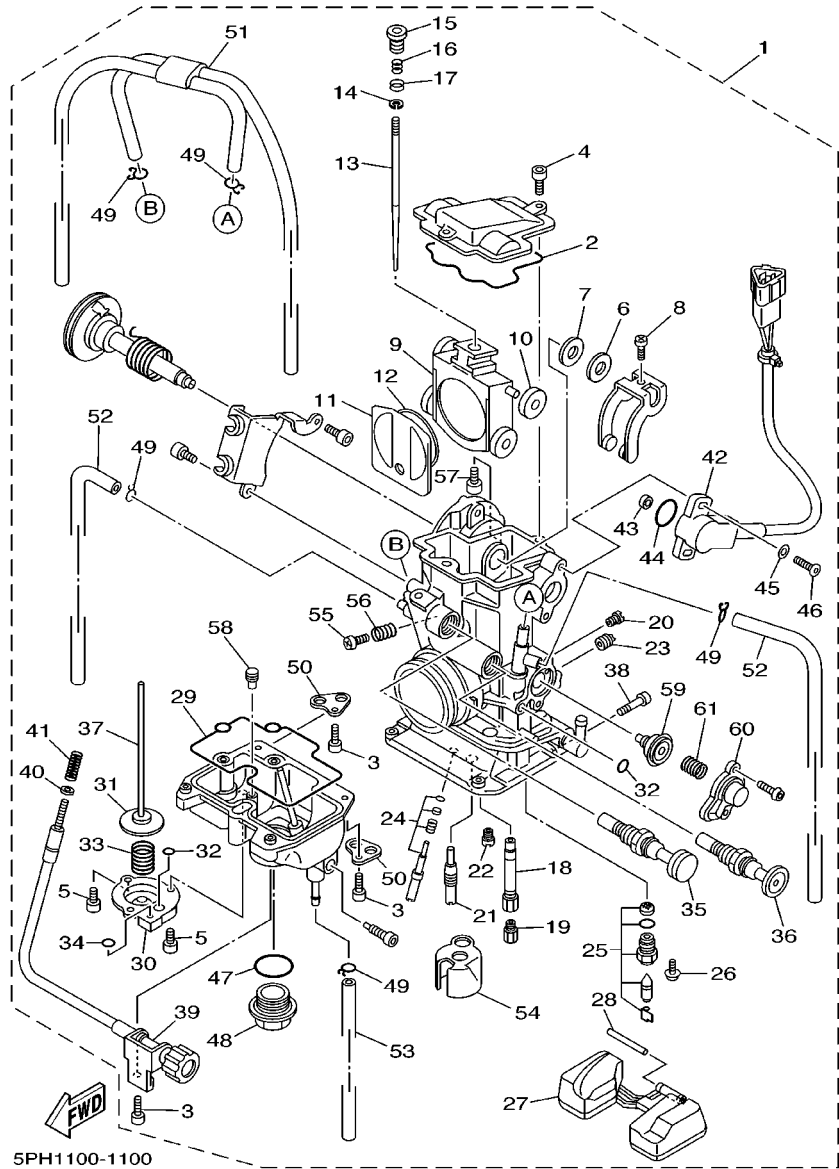
FIG. 10 CARBURETOR



5PH1100-1100

REF. NO.	PART NO.	DESCRIPTION	5PH1	5PH2	5PH4	REMARKS
33	3TJ-14933-40	.SPRING, DIAPHRAGM	1	1	1	
34	6H4-14561-00	.O-RING	1	1	1	
35	5JG-14171-00	.PLUNGER, STARTER	1	1	1	
36	5JG-14371-00	.PLUNGER, STARTER	1	1	1	
37	5JG-14379-00	.ROD, STARTER	1	1	1	
38	3TJ-14325-40	.SCREW, PAN HEAD	1	1	1	
39	5JG-14922-00	.SCREW, THROTTLE	1	1	1	
40	90201-08410	.WASHER, PLATE	1	1	1	
41	4FN-14934-00	.SPRING, THROTTLE STOP	1	1	1	
42	5JG-85885-00	.THROTTLE SENSOR ASSY	1	1	1	
43	5BE-14449-00	.COLLAR	1	1	1	
44	5BE-14562-00	.O-RING	1	1	1	
45	4YR-14557-00	.WASHER	2	2	2	
46	4YR-14216-00	.SCREW	2	2	2	
47	4MX-14561-00	.O-RING	1	1	1	
48	4MX-14115-00	.PLUG, SCREW	1	1	1	
49	3TJ-14137-40	.CLIP	5	5	5	
50	5BE-14146-00	.PLATE	2	2	2	
51	5NL-14196-00	.PIPE COMP.	1	1	1	
52	5JG-14197-00	.PIPE	2	2	2	
53	5JG-14987-00	.HOSE	1	1	1	
54	5JG-14346-00	.PLATE	1	1	1	
55	5JG-14565-00	.SCREW	1	1	1	
56	5JG-14531-00	.SPRING, ADJUST SCREW	1	1	1	
57	5GS-14591-00	.SCREW	1			
5NL-14591-00	.SCREW			1	1	
58	4JT-1494F-11	.JET (#60)	1			STD

FIG. 10 CARBURETOR



REF. NO.	PART NO.	DESCRIPTION	5PH1	5PH2	5PH4	REMARKS
58	4JT-1494F-01	.JET (#35)	1			AP
	4JT-1494F-03	.JET (#40)	1			AP
	4JT-1494F-07	.JET (#50)	1			AP
	4JT-1494F-15	.JET (#70)	1			AP
	4JT-1494F-19	.JET (#80)	1			AP
	4JT-1494F-23	.JET (#90)	1			AP
	4JT-1494F-28	.JET (#105)		1	1	STD
	4JT-1494F-17	.JET (#75)		1	1	AP
	4JT-1494F-21	.JET (#85)		1	1	AP
	4JT-1494F-25	.JET (#95)		1	1	AP
	4JT-1494F-30	.JET (#115)		1	1	AP
	4JT-1494F-32	.JET (#125)		1	1	AP
	4JT-1494F-34	.JET (#135)		1	1	AP
59	5GS-14940-00	.DIAPHRAGM ASSY	1	1	1	
60	5GS-14958-00	.COVER, DIAPHRAGM	1	1	1	
61	5GS-14933-00	.SPRING, DIAPHRAGM	1	1	1	

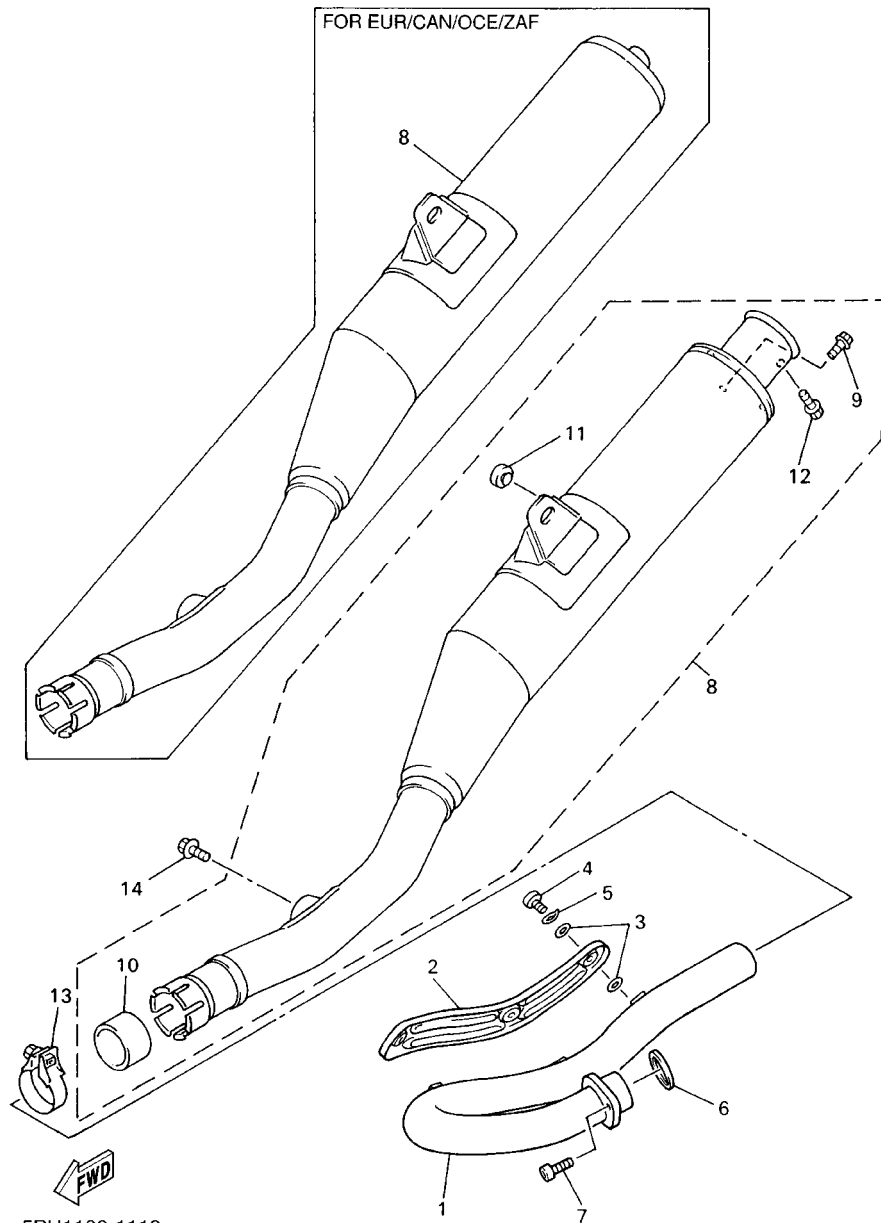
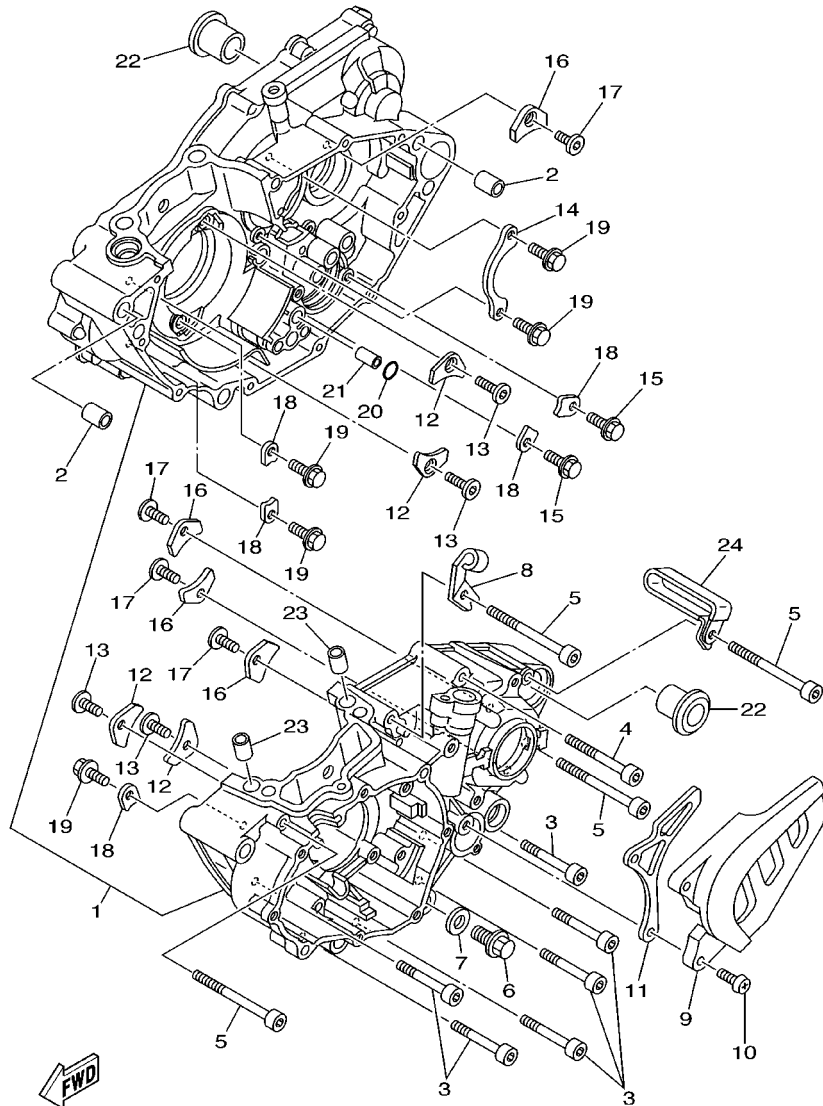


FIG. 11 EXHAUST

REF. NO.	PART NO.	DESCRIPTION	5PH1	5PH2	5PH4	REMARKS
1	5NL-14611-00	PIPE, EXHAUST 1	1	1	1	
2	5NL-14628-00	PROTECTOR, EXHAUST PIPE	1	1	1	
3	4BD-14766-00	WASHER, PROTECTOR	6	6	6	
4	98980-06008	SCREW, BIND	3	3	3	
5	90206-06090	WASHER, WAVE	3	3	3	
6	5NL-14613-00	GASKET, EXHAUST PIPE	1	1	1	
7	91317-08020	BOLT	1	1	1	
8	5PH-14710-00	MUFFLER ASSY 1	1			
	5PH-14710-10	MUFFLER ASSY 1		1	1	
9	95804-06010	.BOLT, FLANGE	3			
10	5PH-14714-00	.GASKET, MUFFLER	1	1	1	
11	22W-24181-00	.DAMPER, LOCATING 1	1	1	1	
12	95804-06016	.BOLT, FLANGE	1			
13	5BE-14788-00	BAND, SILENCER	1	1	1	
14	95817-08014	BOLT, FLANGE	2	2	2	

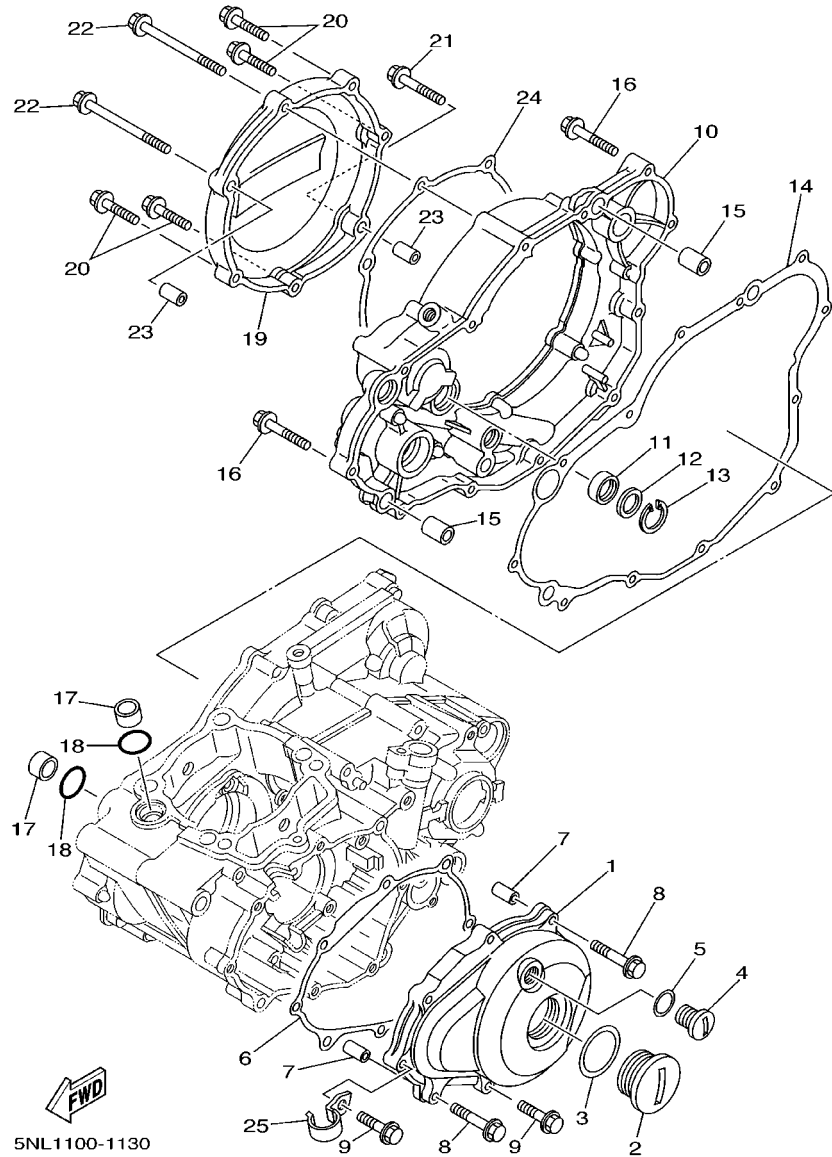
FIG. 12 CRANKCASE



5NL1100-1120

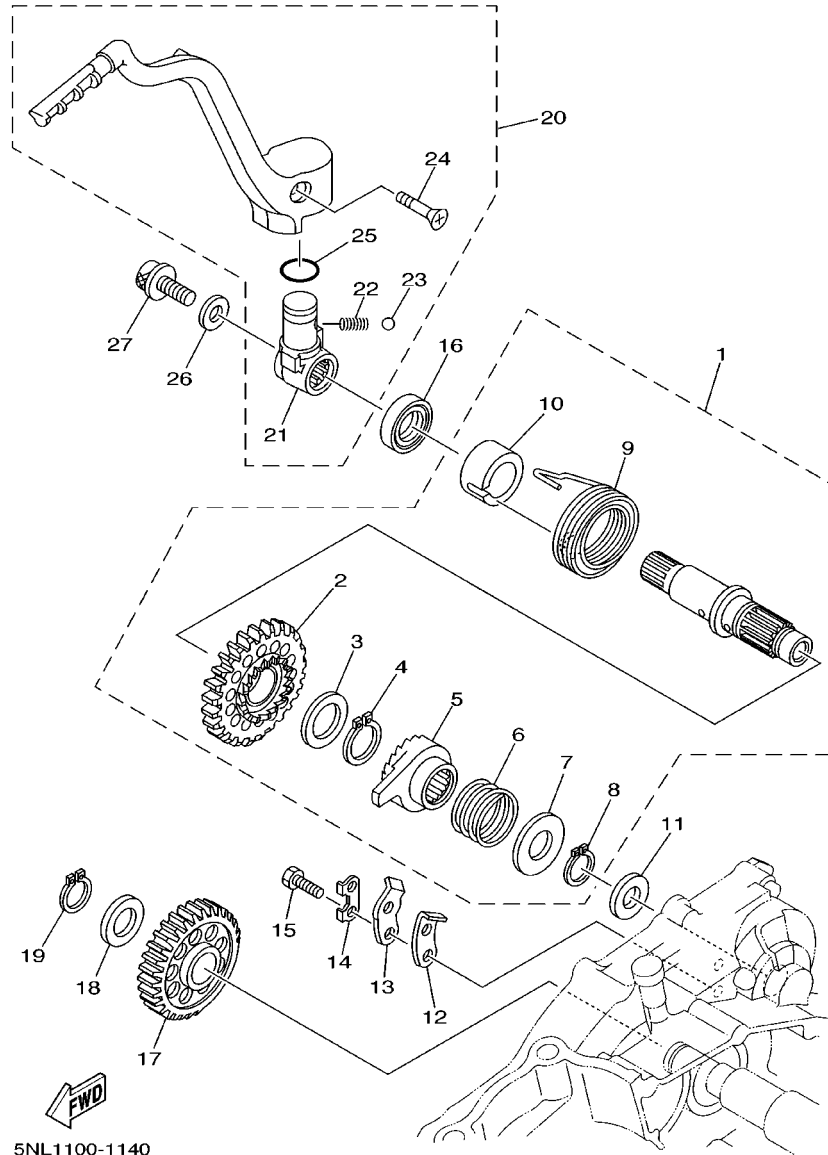
REF. NO.	PART NO.	DESCRIPTION				REMARKS
			5PH1	5PH2	5PH4	
1	5NL-15150-00	CRANKCASE ASSY	1	1	1	
2	93612-16254	PIN, DOWEL	2	2	2	
3	91317-06045	BOLT	6	6	6	
4	91317-06055	BOLT	1	1	1	
5	91317-06070	BOLT	4	4	4	
6	95027-10016	BOLT, FLANGE	1	1	1	
7	90430-10188	GASKET	1	1	1	
8	5NL-15441-01	HOLDER, CLUTCH CABLE	1	1	1	
9	5BE-15421-00	COVER, CRANKCASE 2	1	1	1	
10	98507-06025	SCREW, PAN HEAD	2	2	2	
11	5NL-17466-00	GUIDE, CHAIN	1	1	1	
12	5BE-15383-01	PLATE, BEARING COVER	4	4	4	
13	90149-06126	SCREW	4	4	4	
14	5NL-15388-00	PLATE, BEARING COVER	1	1	1	
15	90105-06553	BOLT, WASHER BASED	2	2	2	
16	4JT-15381-01	PLATE, BEARING COVER	4	4	4	
17	90149-06326	SCREW	4	4	4	
18	5DH-18562-00	PLATE, STOPPER 2	5	5	5	
19	90105-06553	BOLT, WASHER BASED	5	5	5	
20	93210-10197	O-RING	1	1	1	
21	99530-10114	PIN, DOWEL	1	1	1	
22	90387-1712Y	COLLAR	2	2	2	
23	99530-10116	PIN, DOWEL	2	2	2	
24	90465-10013	CLAMP	1	1	1	

FIG. 13 CRANKCASE COVER 1



REF. NO.	PART NO.	DESCRIPTION	5PH1	5PH2	5PH4	REMARKS
1	5NL-15411-00	COVER, CRANKCASE 1	1	1	1	
2	90340-32123	PLUG, STRAIGHT SCREW	1	1	1	
3	93210-32172	O-RING	1	1	1	
4	90340-14128	PLUG, STRAIGHT SCREW	1	1	1	
5	93210-14369	O-RING	1	1	1	
6	5NL-15451-00	GASKET, CRANKCASE COVER 1	1	1	1	
7	99530-08016	PIN, DOWEL	2	2	2	
8	95027-06035	BOLT, FLANGE	2	2	2	
9	95027-06025	BOLT, FLANGE	6	6	6	
10	5NL-15431-00	COVER, CRANKCASE 3	1	1	1	
11	93101-14164	OIL SEAL	1	1	1	
12	90201-15701	WASHER, PLATE (1.0T)	1	1	1	
13	99009-22500	CIRCLIP	1	1	1	
14	5NL-15462-00	GASKET, CRANKCASE COVER 3	1	1	1	
15	91812-16001	PIN, DOWEL	2	2	2	
16	95027-06035	BOLT, FLANGE	8	8	8	
17	5NL-12564-00	PIPE, WATER	2	2	2	
18	93210-16716	O-RING	2	2	2	
19	5NL-15415-00	COVER 1	1	1	1	
20	95027-06025	BOLT, FLANGE	4	4	4	
21	95027-06035	BOLT, FLANGE	1	1	1	
22	90105-065A1	BOLT, WASHER BASED	2	2	2	
23	99530-08016	PIN, DOWEL	2	2	2	
24	5NL-15453-00	GASKET 1	1	1	1	
25	90465-08029	CLAMP	1	1	1	

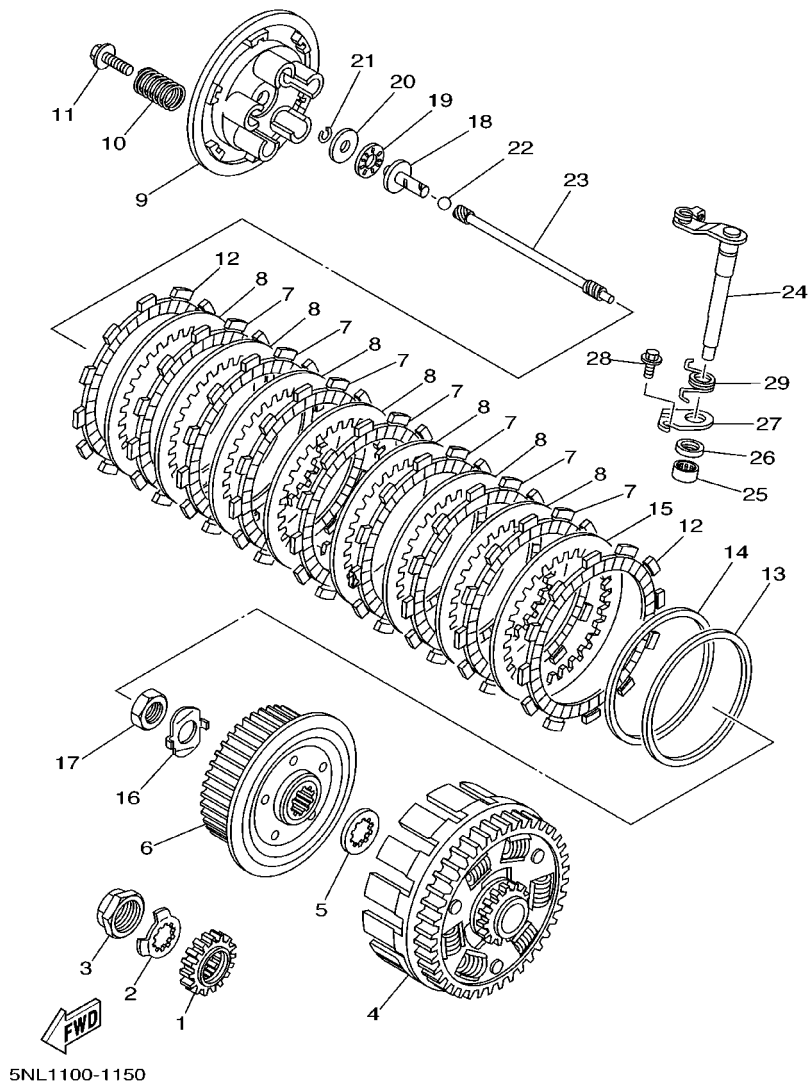
FIG. 14 STARTER



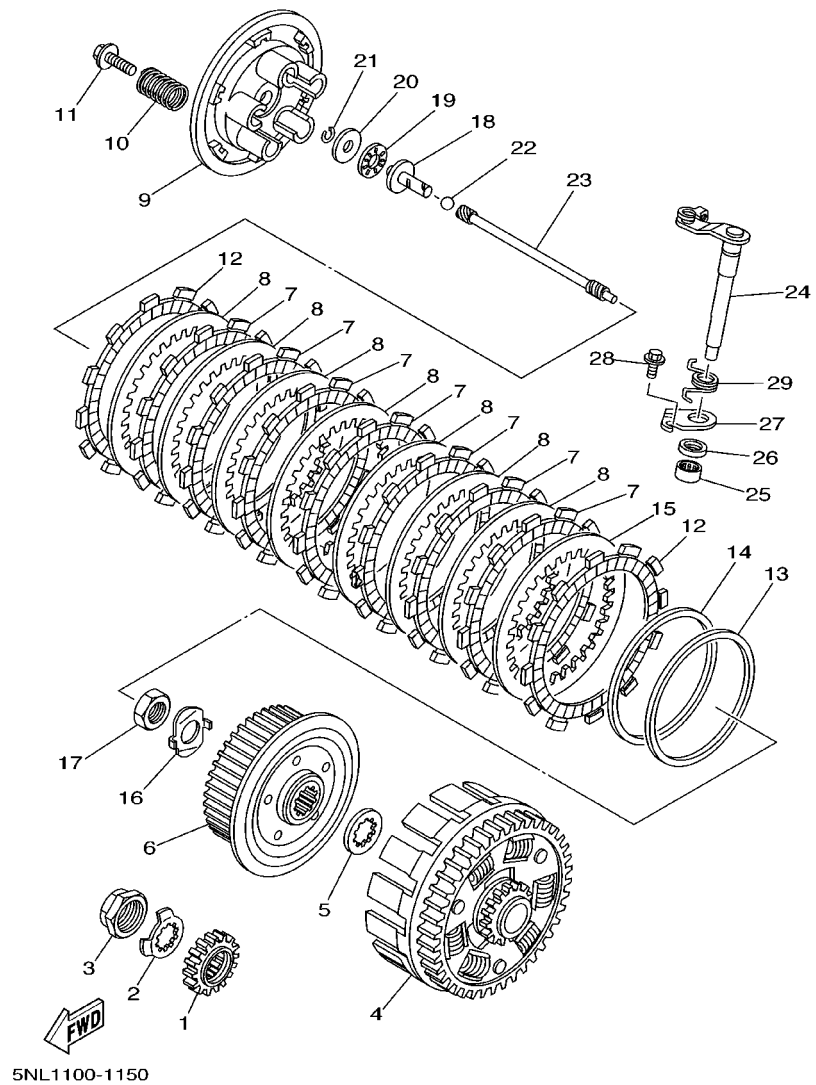
5NL1100-1140

REF. NO.	PART NO.	DESCRIPTION	5PH1	5PH2	5PH4	REMARKS
1	5NL-15601-00	KICK SHAFT ASSY	1	1	1	
2	5NL-15641-00	.GEAR, KICK	1	1	1	
3	90201-20685	.WASHER, PLATE (0.5T)	1	1	1	
4	93410-20038	.CIRCLIP	1	1	1	
5	4GY-15671-00	.WHEEL, RATCHET	1	1	1	
6	90501-16107	.SPRING, COMPRESSION	1	1	1	
7	90201-167P7	.WASHER, PLATE	1	1	1	
8	99009-16400	.CIRCLIP	1	1	1	
9	90508-30743	.SPRING, TORSION	1	1	1	
10	5NL-15664-00	.GUIDE, SPRING	1	1	1	
11	90201-162H4	WASHER, PLATE	1	1	1	
12	2NX-15668-00	STOPPER	1	1	1	
13	214-15674-00	GUIDE, RATCHET WHEEL	1	1	1	
14	214-15686-00	WASHER, LOCK	1	1	1	
15	90101-06001	BOLT	2	2	2	
16	93102-18278	OIL SEAL	1	1	1	
17	5NL-15651-00	GEAR, KICK IDLE	1	1	1	
18	90201-177G4	WASHER, PLATE	1	1	1	
19	99009-17400	CIRCLIP	1	1	1	
20	5NL-15620-00	KICK CRANK ASSY	1	1	1	
21	5NL-15621-00	.BOSS, KICK CRANK	1	1	1	
22	90501-12081	.SPRING, COMPRESSION	1	1	1	
23	93507-32009	.BALL	1	1	1	
24	90152-06010	.SCREW, COUNTERSUNK	1	1	1	
25	93210-17570	.O-RING	1	1	1	
26	90201-08326	WASHER, PLATE	1	1	1	
27	90109-082G0	BOLT	1	1	1	

FIG. 15 CLUTCH

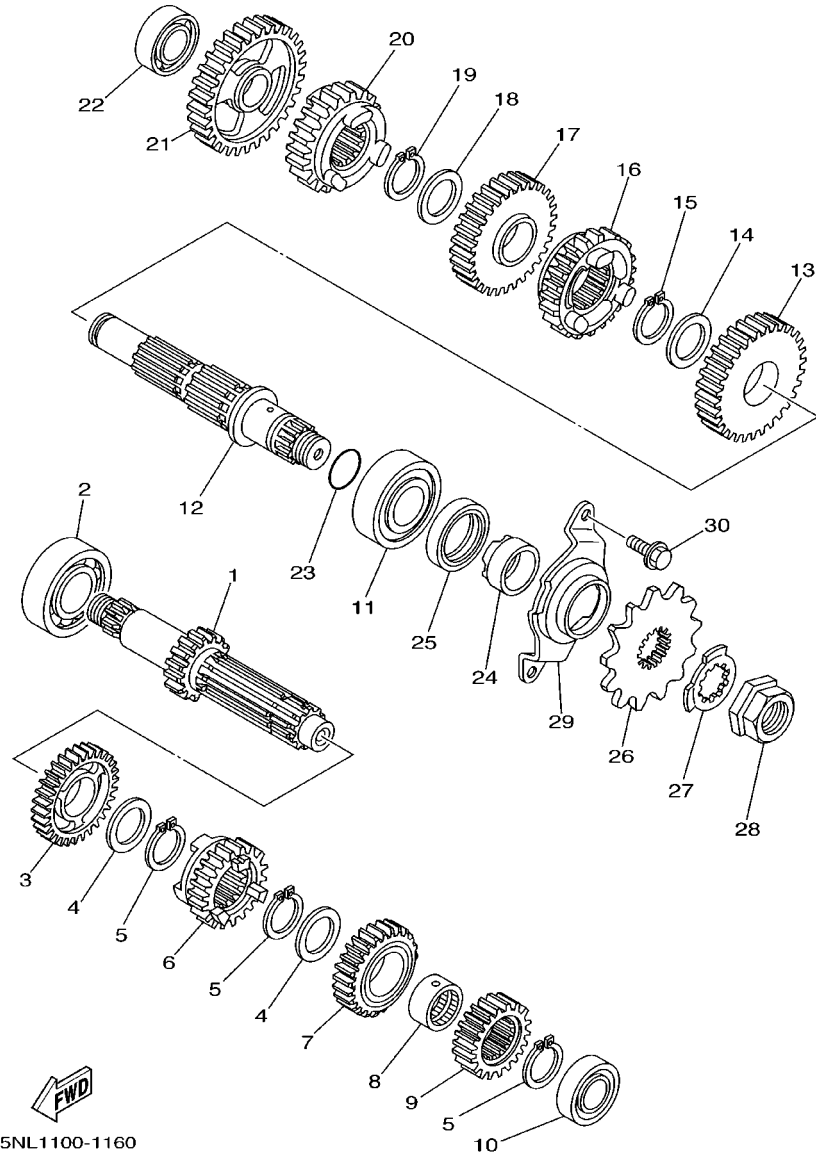


REF. NO.	PART NO.	DESCRIPTION				REMARKS
			5PH1	5PH2	5PH4	
1	5NL-16111-00	GEAR, PRIMARY DRIVE	1	1	1	
2	90215-20003	WASHER, LOCK	1	1	1	
3	90179-18001	NUT	1	1	1	
4	5NL-16150-00	PRIMARY DRIVEN GEAR COMP.	1	1	1	
5	5NL-16154-00	PLATE, THRUST 1	1	1	1	
6	5NL-16371-00	BOSS, CLUTCH	1	1	1	
7	5DH-16321-00	PLATE, FRICTION	7	7	7	
8	5NL-16325-00	PLATE, CLUTCH 2	7	7	7	
9	5HD-16351-00	PLATE, PRESSURE 1	1	1	1	
10	90501-22001	SPRING, COMPRESSION	5	5	5	
11	90159-06092	SCREW, WITH WASHER	5	5	5	
12	3XJ-16321-00	PLATE, FRICTION	2	2	2	
13	5NL-16384-00	PLATE, SEAT	1	1	1	
14	5NL-16383-00	SPRING, CLUTCH BOSS	1	1	1	
15	5NL-16325-10	PLATE, CLUTCH 2	1	1	1	
16	90215-16289	WASHER, LOCK	1	1	1	
17	90170-16326	NUT	1	1	1	
18	5NL-16356-00	ROD, PUSH 1	1	1	1	
19	93340-21008	BEARING	1	1	1	
20	90201-080H1	WASHER, PLATE	1	1	1	
21	93440-07182	CIRCLIP	1	1	1	
22	93511-32027	BALL	1	1	1	
23	5NL-16357-00	ROD, PUSH 2	1	1	1	
24	5JG-16381-00	PUSH LEVER COMP.	1	1	1	
25	93315-11206	BEARING	1	1	1	
26	93102-12224	OIL SEAL	1	1	1	
27	4JT-16384-00	PLATE, SEAT	1	1	1	

**FIG. 15 CLUTCH**

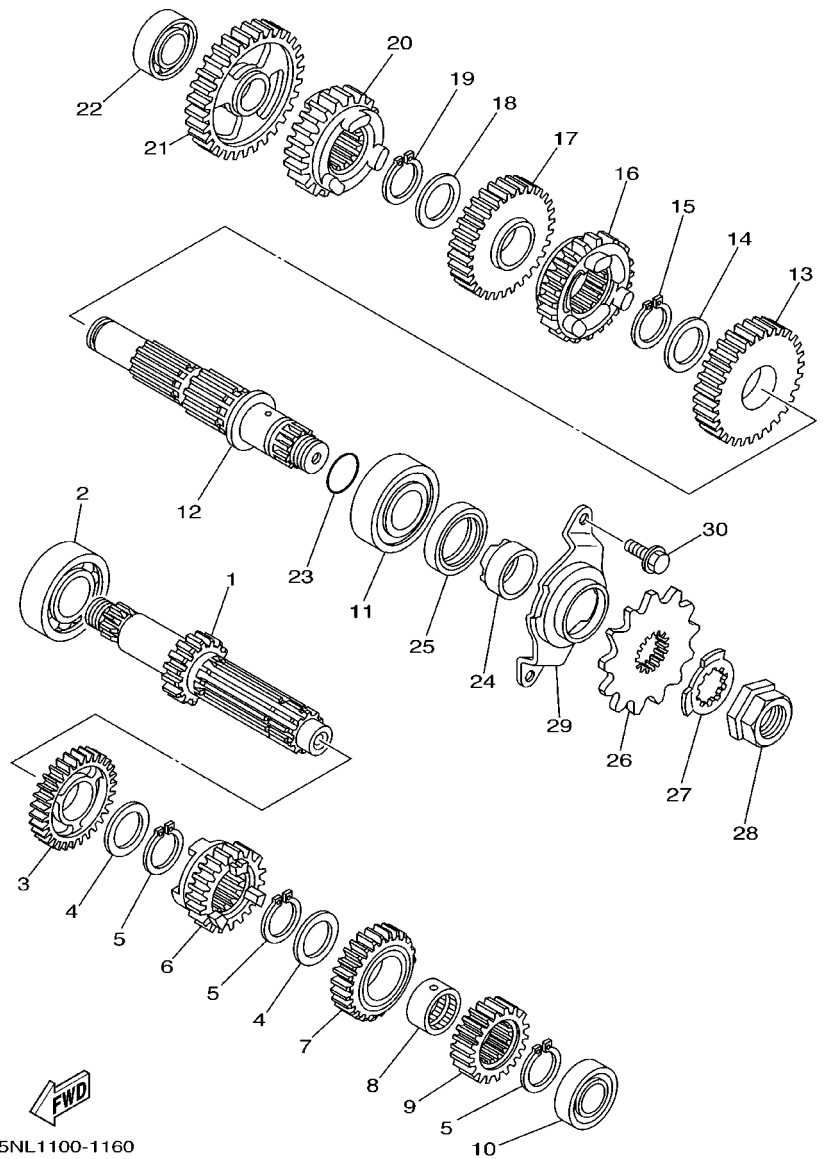
REF. NO.	PART NO.	DESCRIPTION	5PH1	5PH2	5PH4	REMARKS
28	95027-06010	BOLT, FLANGE	1	1	1	
29	90508-142B5	SPRING, TORSION	1	1	1	

FIG. 16 TRANSMISSION



REF. NO.	PART NO.	DESCRIPTION	5PH1	5PH2	5PH4	REMARKS
1	5PH-17411-00	AXLE, MAIN (13T)	1	1	1	
2	93306-20447	BEARING	1	1	1	
3	5PH-17151-00	GEAR, 5TH PINION (27T)	1	1	1	
4	90209-20008	WASHER	2	2	2	
5	93410-22039	CIRCLIP	3	3	3	
6	5PH-17131-00	GEAR, 3RD PINION (21T)	1	1	1	
7	5PH-17141-00	GEAR, 4TH PINION (24T)	1	1	1	
8	90387-20006	COLLAR	1	1	1	
9	5NL-17121-00	GEAR, 2ND PINION (16T)	1	1	1	
10	93306-00320	BEARING	1	1	1	
11	93306-27208	BEARING	1	1	1	
12	5NL-17421-00	AXLE, DRIVE	1	1	1	
13	5NL-17221-00	GEAR, 2ND WHEEL (28T)	1	1	1	
14	90209-23012	WASHER	1	1	1	
15	93410-26067	CIRCLIP	1	1	1	
16	5PH-17241-00	GEAR, 4TH WHEEL (25T)	1	1	1	
17	5PH-17231-00	GEAR, 3RD WHEEL (28T)	1	1	1	
18	90209-20008	WASHER	1	1	1	
19	93410-22039	CIRCLIP	1	1	1	
20	5PH-17251-00	GEAR, 5TH WHEEL (22T)	1	1	1	
21	5PH-17211-00	GEAR, 1ST WHEEL (31T)	1	1	1	
22	93306-00317	BEARING	1	1	1	
23	93210-196A4	O-RING	1	1	1	
24	90387-22001	COLLAR	1	1	1	
25	93102-28008	OIL SEAL	1	1	1	
26	9383B-13218	SPRÖCKÉT, DRİVE (13T)	1	1	1	
27	90215-20003	WASHER, LOCK	1	1	1	

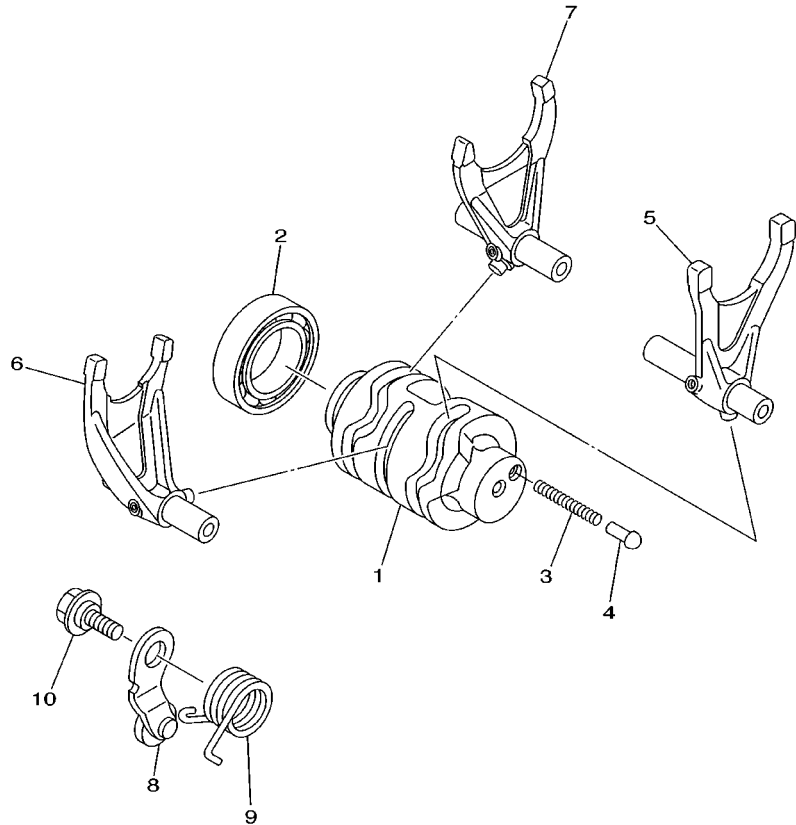
FIG. 16 TRANSMISSION



REF. NO.	PART NO.	DESCRIPTION	5PH1	5PH2	5PH4	REMARKS
28	90179-18001	NUT	1	1	1	
29	5NL-17471-00	PLATE, COVER	1	1	1	
30	90105-06553	BOLT, WASHER BASED	2	2	2	

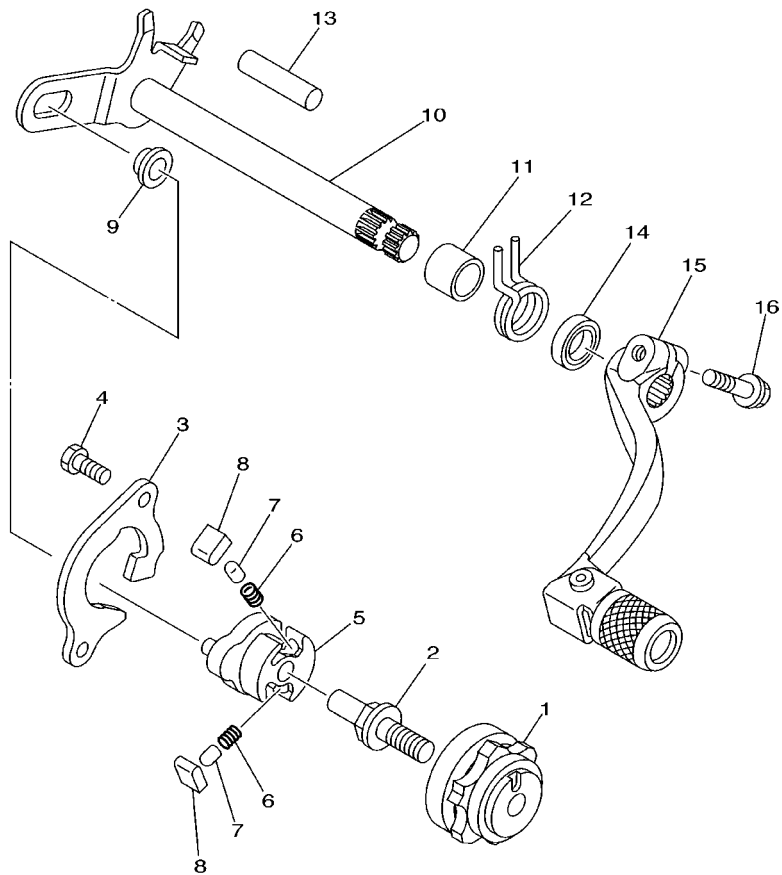
FIG. 17 SHIFT CAM. FORK

REF. NO.	PART NO.	DESCRIPTION	5PH1	5PH2	5PH4	REMARKS
1	5NL-18541-00	CAM, SHIFT	1	1	1	
2	93306-90501	BEARING	1	1	1	
3	90501-06022	SPRING, COMPRESSION	1	1	1	
4	4BA-18542-00	POINT, NEUTRAL	1	1	1	
5	5NL-18501-00	FORK, SHIFT 1	1	1	1	
6	5NL-18502-00	FORK, SHIFT 2	1	1	1	
7	5NL-18503-00	FORK, SHIFT 3	1	1	1	
8	3XK-18140-00	STOPPER LEVER ASSY	1	1	1	
9	90508-26561	SPRING, TORSION	1	1	1	
10	90109-063F8	BOLT	1	1	1	



5NL1100-1170

FIG. 18 SHIFT SHAFT

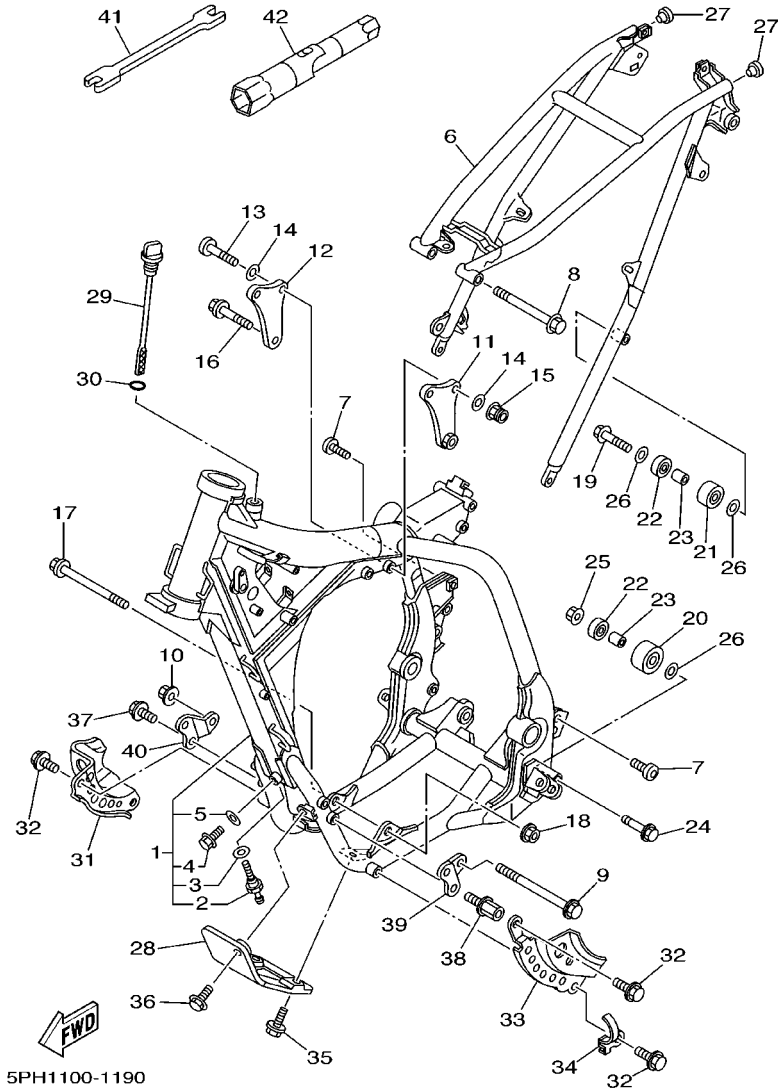


REF. NO.	PART NO.	DESCRIPTION	5PH1	5PH2	5PH4	REMARKS
1	4EW-18185-00	SEGMENT	1	1	1	
2	3XJ-18173-00	PIN, SHIFT	1	1	1	
3	5BE-18172-00	GUIDE, SHIFT	1	1	1	
4	90101-06664	BOLT	2	2	2	
5	5LP-18122-00	LEVER, SHIFT 2	1	1	1	
6	90501-052G5	SPRING, COMPRESSION	2	2	2	
7	3XJ-18184-00	PIN, PAWL	2	2	2	
8	3XJ-18182-00	PAWL, SHIFTER	2	2	2	
9	3XJ-18178-00	ROLLER, SHIFT LEVER	1	1	1	
10	5NL-18101-00	SHIFT SHAFT ASSY	1	1	1	
11	90387-124F4	COLLAR	1	1	1	
12	90508-291A8	SPRING, TORSION	1	1	1	
13	93608-33002	PIN, DOWEL	1	1	1	
14	93102-12224	OIL SEAL	1	1	1	
15	5NL-18110-00	SHIFT PEDAL ASSY	1	1	1	
16	95027-06020	BOLT, FLANGE	1	1	1	



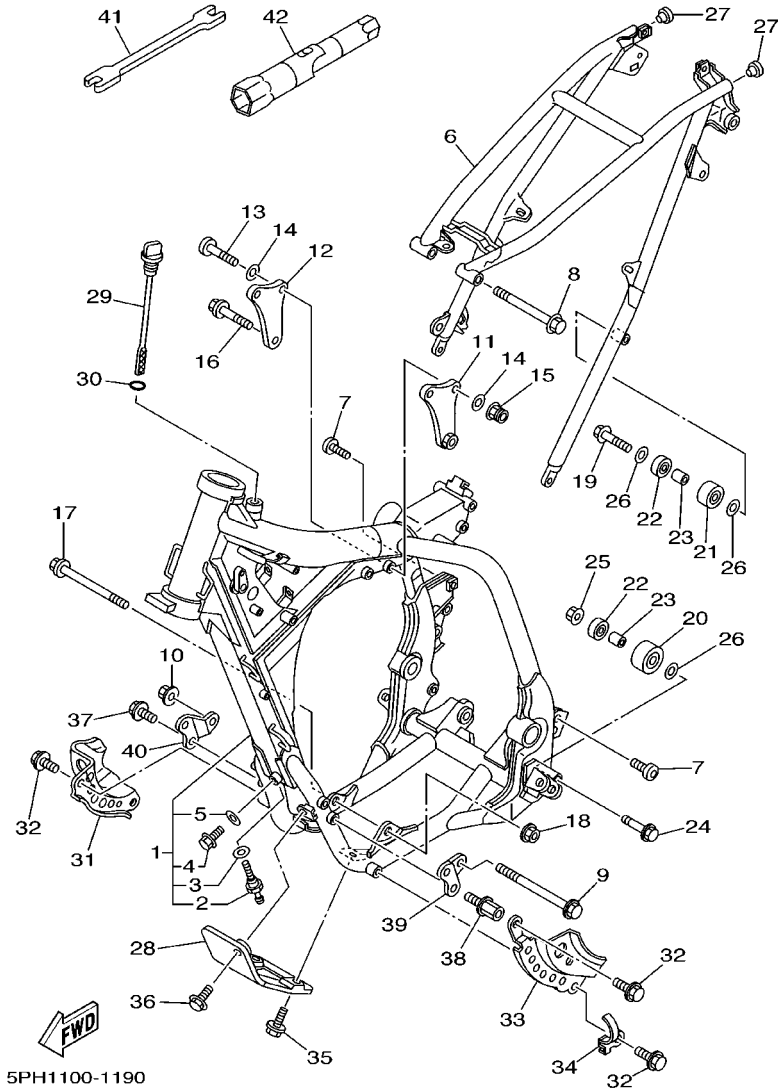
5NL1100-1180

FIG. 19 FRAME



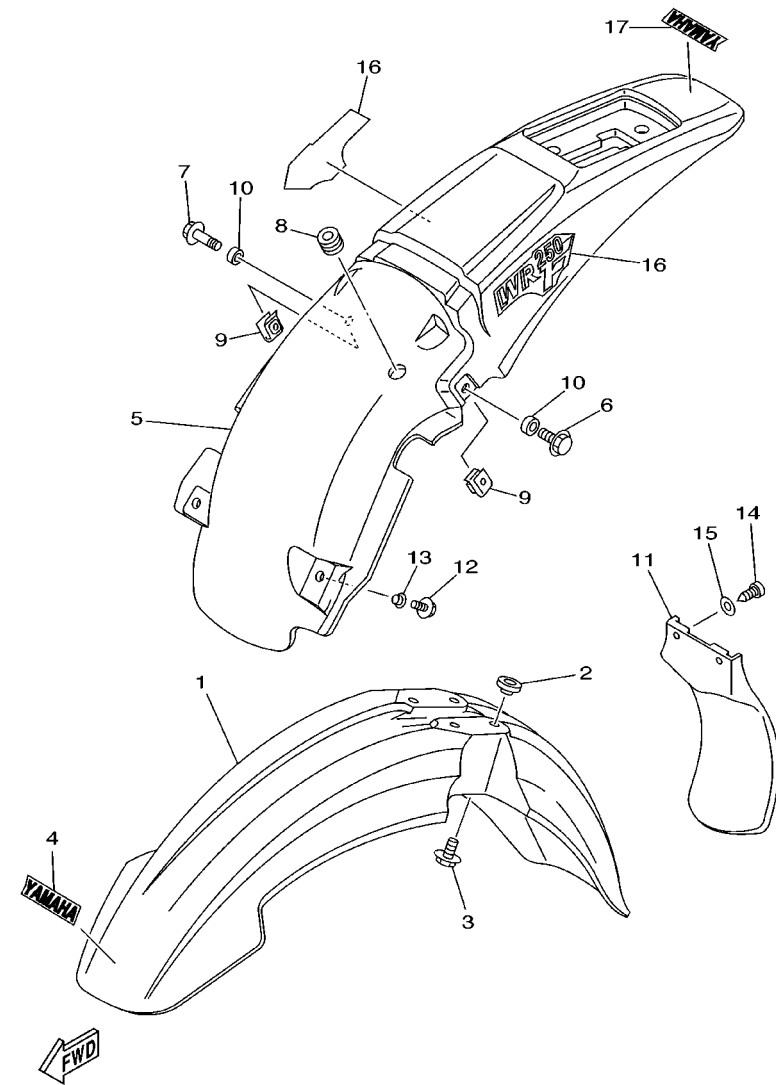
REF. NO.	PART NO.	DESCRIPTION	5PH1	5PH2	5PH4	REMARKS
1	5PH-21101-00-P0	FRONT FRAME COMP.	1	1	1	DPBMC
2	5BE-21756-00	.NET, FILTER	1	1	1	
3	90430-18130	.GASKET	1	1	1	
4	95827-08012	.BOLT, FLANGE	1	1	1	
5	90430-08119	.GASKET	1	1	1	
6	5NG-21190-00-P0	REAR FRAME COMP.	1	1	1	DPBMC
7	90110-08096	BOLT, HEXAGON SOCKET HEAD	2	2	2	
8	90105-08099	BOLT, WASHER BASED	1	1	1	
9	95817-10130	BOLT, FLANGE	1	1	1	
10	95607-10200	NUT, SELF-LOCKING	1	1	1	
11	5NL-21425-00	BRACKET, REAR UPPER 1	1	1	1	
12	5NL-21425-10	BRACKET, REAR UPPER 1	1	1	1	
13	92017-08055	BOLT, BUTTON HEAD	2	2	2	
14	90201-086P8	WASHER, PLATE	4	4	4	
15	90185-08169	NUT, SELF-LOCKING	2	2	2	
16	95817-10050	BOLT, FLANGE	1	1	1	
17	90105-10733	BOLT, WASHER BASED	1	1	1	
18	95607-10200	NUT, SELF-LOCKING	1	1	1	
19	95027-08040	BOLT, FLANGE	1	1	1	
20	3JD-22178-10	TENSIONER	1	1	1	
21	4EW-22178-00	TENSIONER	1	1	1	
22	93300-60804	BEARING	2	2	2	
23	90387-086N4	COLLAR	2	2	2	
24	95027-08065	BOLT, FLANGE	1	1	1	
25	95707-08500	NUT, FLANGE	1	1	1	
26	90201-086P8	WASHER, PLATE	3	3	3	
27	90480-17218	GROMMET	2	2	2	

FIG. 19 FRAME



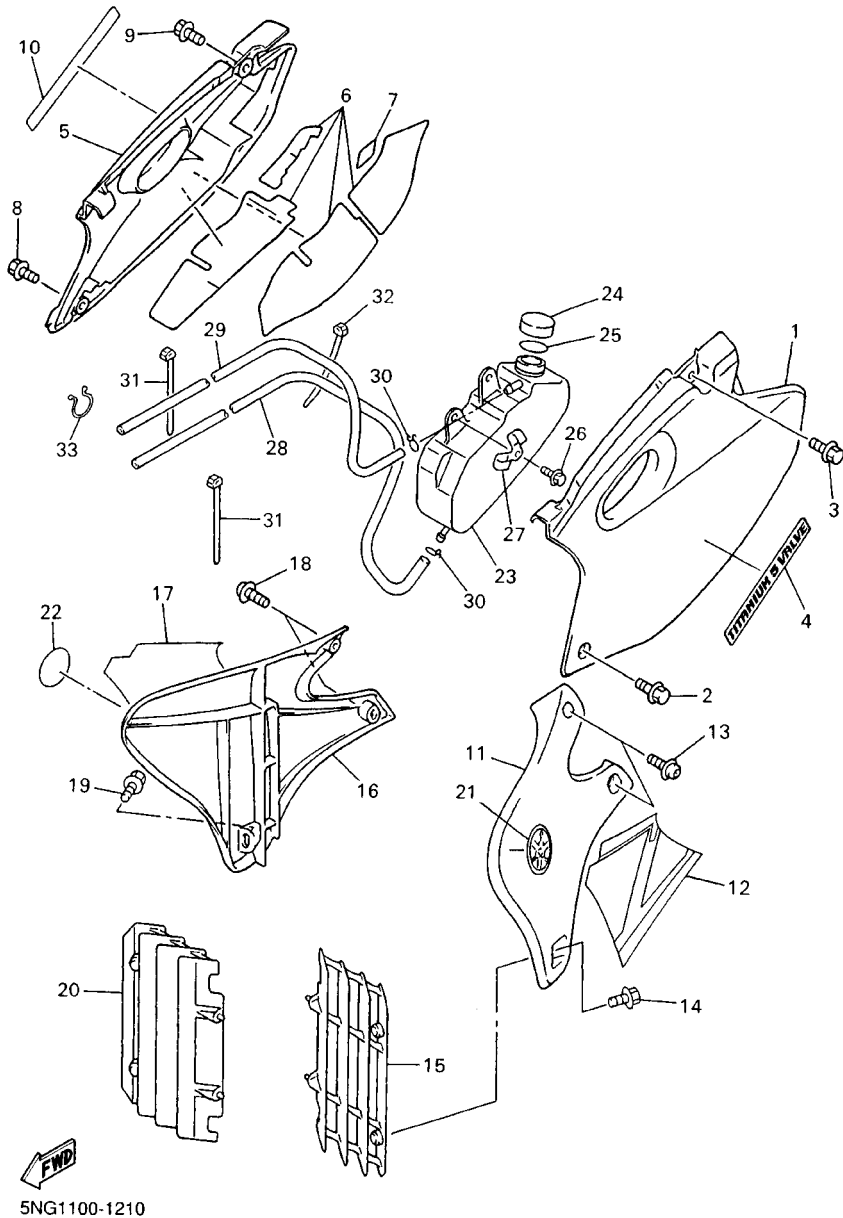
REF. NO.	PART NO.	DESCRIPTION	5PH1	5PH2	5PH4	REMARKS
28	5NL-21471-00	PROTECTOR, ENGINE	1	1	1	
29	5NL-15362-00	PLUG, OIL LEVEL	1	1	1	
30	93210-19123	O-RING	1	1	1	
31	5NL-2147A-00	GUARD, ENGINE 1	1	1	1	
32	95027-08012	BOLT, FLANGE	4	4	4	
33	5NG-2147A-10	GUARD, ENGINE 1	1	1	1	
34	5NG-21338-00	CLAMP	1	1	1	
35	95027-06012	BOLT, FLANGE	2	2	2	
36	90119-06001	BOLT, WITH WASHER	1	1	1	
37	95817-08016	BOLT, FLANGE	3			
	95027-08016	BOLT, FLANGE		3	3	
38	5PH-21481-00	BOLT, ENGINE MOUNTING 1	1	1	1	
39	5NL-21417-00	BRACKET, FRONT LOWER 1	1	1	1	
40	5NL-21417-10	BRACKET, FRONT LOWER 1	1	1	1	
41	5ET-28166-00	WRENCH, HEXAGON	1	1	1	
42	5BE-2814F-00	BOX, SPARK PLUG	1	1	1	

FIG. 20 FENDER



5PH1100-1200

REF. NO.	PART NO.	DESCRIPTION				REMARKS
			5PH1	5PH2	5PH4	
1	5HD-21511-00	FENDER, FRONT	1	1	1	
2	3JD-21748-00	COLLAR	4	4	4	
3	90119-06096	BOLT, WITH WASHER	4	4	4	
4	4ES-2153E-01	EMBLEM, YAMAHA	1	1	1	
5	5BF-21611-00	FENDER, REAR	1	1	1	
6	90105-06553	BOLT, WASHER BASED	1	1	1	
7	90119-06038	BOLT, WITH WASHER	1	1	1	
8	90480-14323	GROMMET	1	1	1	
9	90183-06023	NUT, SPRING	2	2	2	
10	90387-0701A	COLLAR	2	2	2	
11	5BE-21642-00	GUARD, FLAP	1	1	1	
12	90105-06690	BOLT, WASHER BASED	2	2	2	
13	90387-06009	COLLAR	2	2	2	
14	97707-60016	SCREW, TAPPING	2	2	2	
15	90201-06557	WASHER, PLATE	2	2	2	
16	5PH-2163G-00	EMBLEM 1	2	2	2	
17	4ES-2153E-01	EMBLEM, YAMAHA	1	1	1	



5NG1100-1210

FIG. 21 SIDE COVER

REF. NO.	PART NO.	DESCRIPTION	5PH1	5PH2	5PH4	REMARKS
1	5BF-21711-00	COVER, SIDE 1	1	1	1	
2	95827-06016	BOLT, FLANGE	1	1	1	
3	90119-08238	BOLT, WITH WASHER	1	1	1	
4	5JG-21781-50	EMBLEM 1	1	1	1	
5	5BF-21721-00	COVER, SIDE 2	1	1	1	
6	5BF-2174A-00	INSULATOR, SIDE COVER	1	1	1	
7	3FY-21575-01	SEAL 1	1	1	1	
8	95827-06016	BOLT, FLANGE	1	1	1	
9	90119-08238	BOLT, WITH WASHER	1	1	1	
10	5JG-21781-50	EMBLEM 1	1	1	1	
11	5NL-21731-00	COVER, SIDE 3	1		1	UR FOR CAN
	5JG-21731-01	COVER, SIDE 3		1	1	UR FOR OCE,ZAF
12	5JG-2173E-50	GRAPHIC 1	1	1	1	
13	90159-06182	SCREW, WITH WASHER	2	2	2	
14	90159-06078	SCREW, WITH WASHER	1	1	1	
15	5PH-2172A-00	PANEL 1	1	1	1	
16	5NL-21741-00	COVER, SIDE 4	1		1	UR FOR CAN
	5JG-21741-01	COVER, SIDE 4		1	1	UR FOR OCE,ZAF
17	5JG-2173F-50	GRAPHIC 2	1	1	1	
18	90159-06182	SCREW, WITH WASHER	2	2	2	
19	90159-06078	SCREW, WITH WASHER	1	1	1	
20	5PH-2172A-00	PANEL 1	1	1	1	
21	5MV-2175C-00	TUNING FORK MARK	1	1	1	
22	5MV-2175C-00	TUNING FORK MARK	1	1	1	
23	5GS-21871-00	TANK, RECOVERY	1	1	1	
24	26H-21875-00	CAP	1	1	1	
25	26H-21874-00	GASKET	1	1	1	

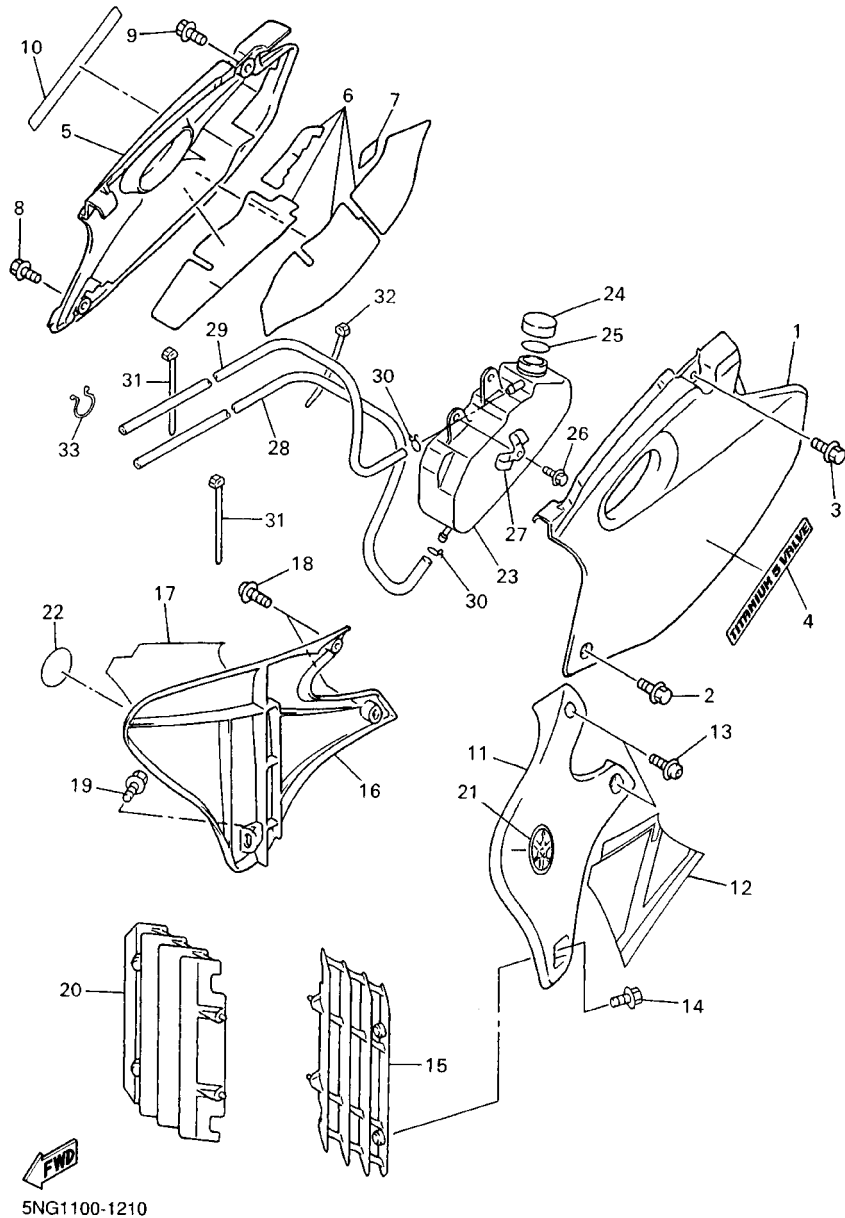
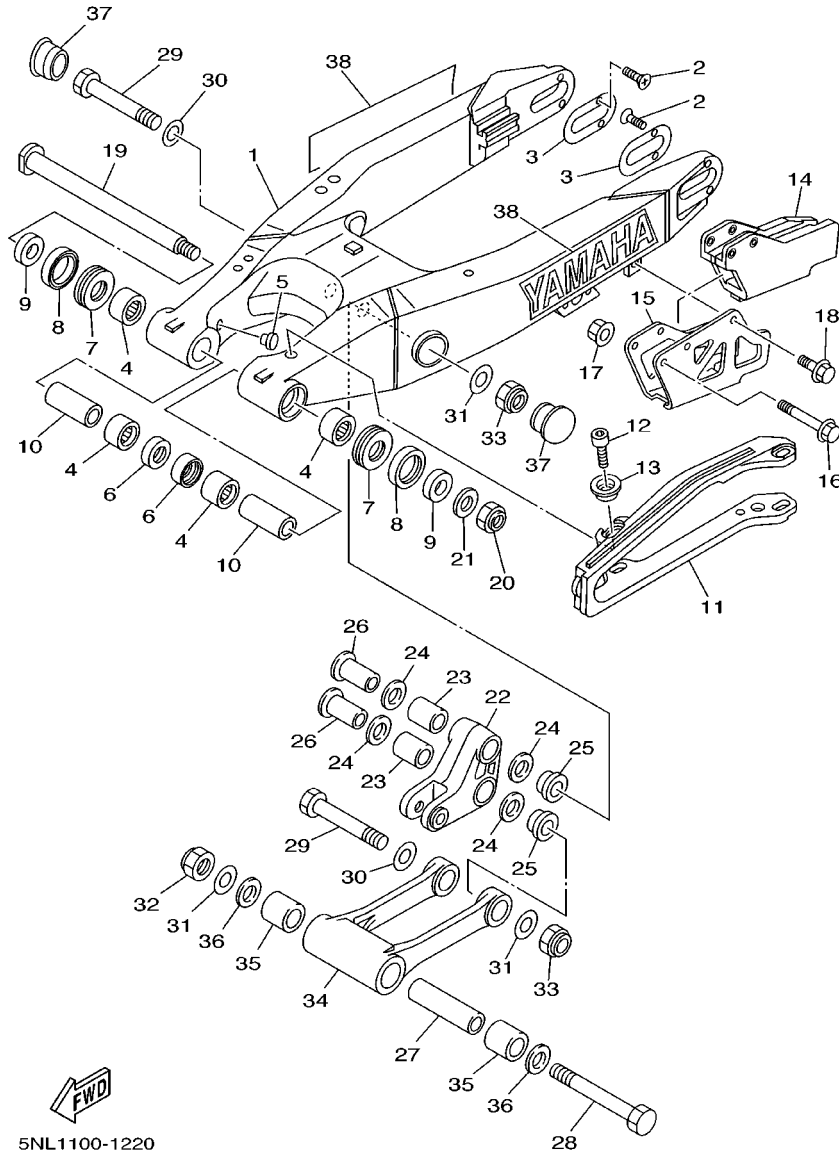


FIG. 21 SIDE COVER

REF. NO.	PART NO.	DESCRIPTION	5PH1	5PH2	5PH4	REMARKS
26	90119-06060	BOLT, WITH WASHER	1	1	1	
27	5BF-21823-00	CLAMP, HOSE	1	1	1	
28	91A20-05130	TUBE, FLEXIBLE VINYL	1	1	1	
29	91A21-05105	TUBE, FLEXIBLE	1	1	1	
30	90467-08017	CLIP	1	1	1	
31	90464-13077	CLAMP	2	2	2	
32	90464-13073	CLAMP	1	1	1	
33	90464-16039	CLAMP	1	1	1	

FIG. 22 REAR ARM



REF. NO.	PART NO.	DESCRIPTION	5PH1	5PH2	5PH4	REMARKS
1	5MV-22110-00	REAR ARM COMP.	1	1	1	
2	90151-04048	SCREW, COUNTERSUNK	4	4	4	
3	5ET-22355-00	PATCH	2	2	2	
4	93317-22262	BEARING	4	4	4	
5	90338-16148	PLUG	2	2	2	
6	93106-22019	OIL SEAL (DC 22-28-8)	2	2	2	
7	93342-22217	BEARING	2	2	2	
8	93109-28043	OIL SEAL	2	2	2	
9	90387-1714R	COLLAR	2	2	2	
10	90387-1714S	COLLAR	2	2	2	
11	5MV-22151-00	SEAL, GUARD	1	1	1	
12	91317-05008	BOLT	4	4	4	
13	5JG-22156-00	WASHER, PLATE	4	4	4	
14	4XM-22199-00	SUPPORT, CHAIN	1	1	1	
15	4XM-22128-00	COVER, THRUST 1	1	1	1	
16	95027-06050	BOLT, FLANGE	2	2	2	
17	90179-06568	NUT	2	2	2	
18	95027-06010	BOLT, FLANGE	1	1	1	
19	5DH-22141-00	SHAFT, PIVOT	1	1	1	
20	90185-16127	NUT, SELF-LOCKING	1	1	1	
21	90201-164H4	WASHER, PLATE	1	1	1	
22	5ET-2217A-00	ARM, RELAY	1	1	1	
23	93315-32056	BEARING	2	2	2	
24	93109-20076	OIL SEAL	4	4	4	
25	90387-16005	COLLAR	2	2	2	
26	90387-16007	COLLAR	2	2	2	
27	90387-167Y9	COLLAR	1	1	1	

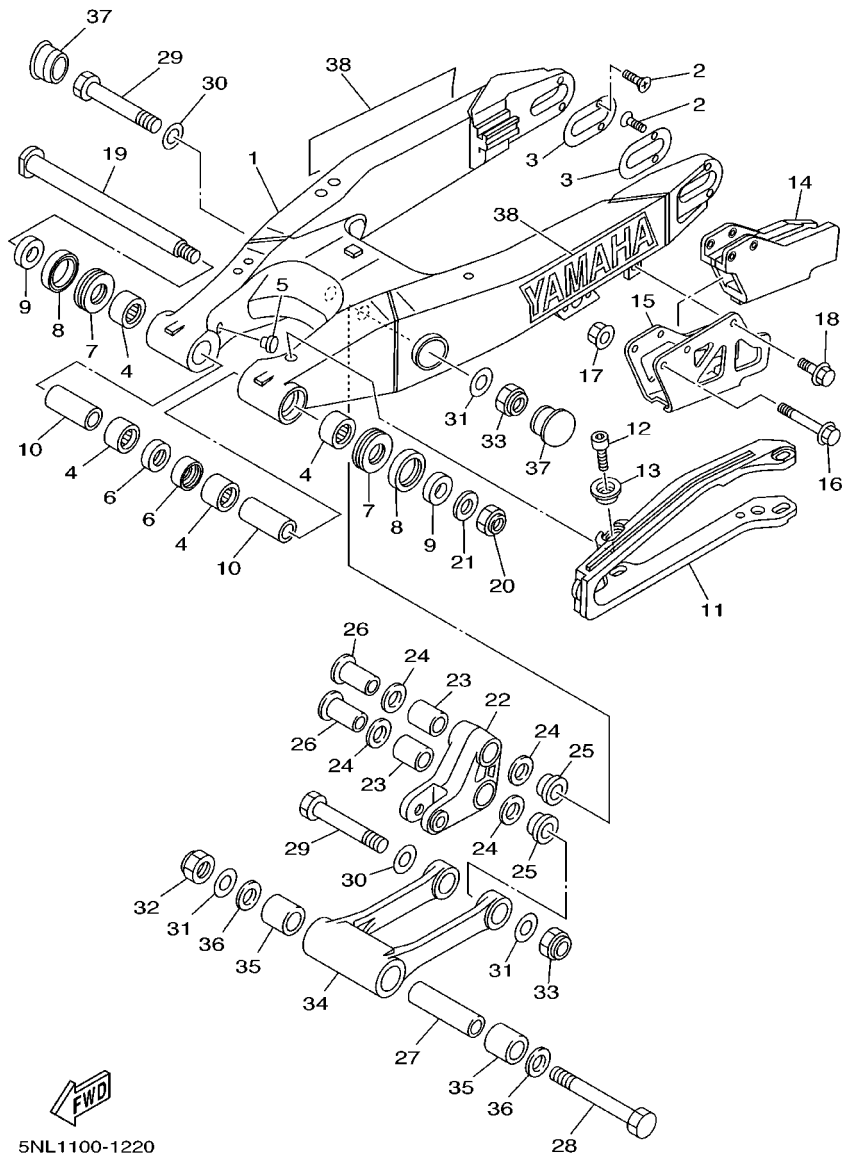
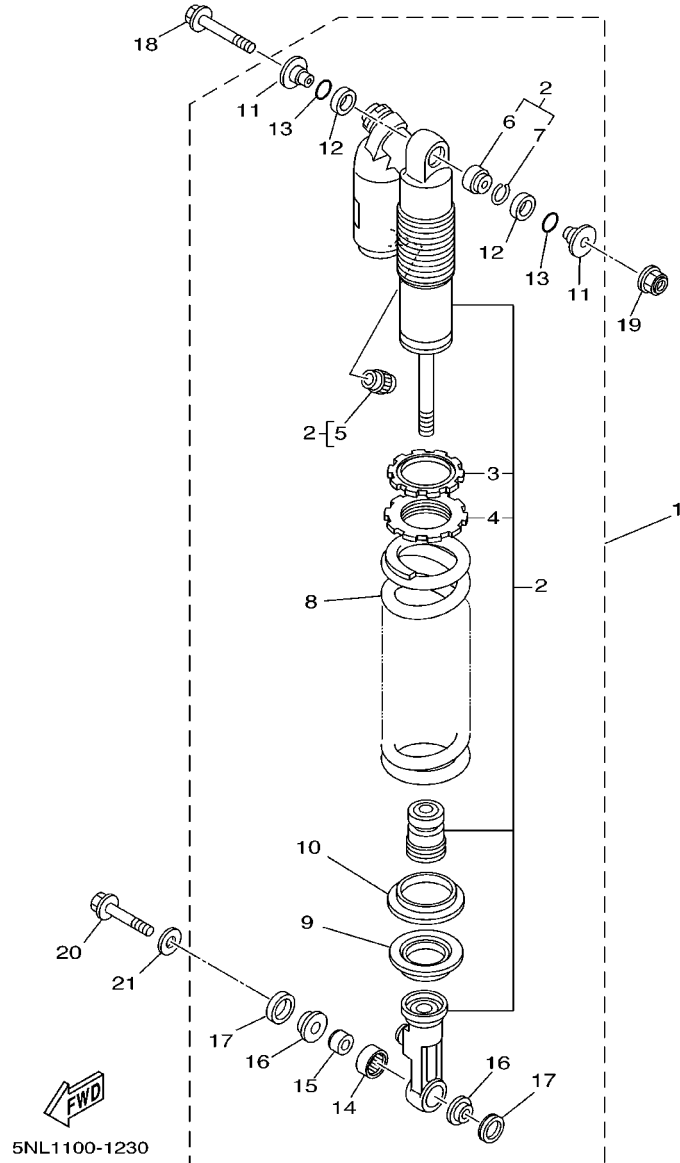


FIG. 22 REAR ARM

REF. NO.	PART NO.	DESCRIPTION	5PH1	5PH2	5PH4	REMARKS
28	90109-147F2	BOLT	1	1	1	
29	90109-142F4	BOLT	2	2	2	
30	90201-164H4	WASHER, PLATE	2	2	2	
31	90201-14740	WASHER, PLATE	3	3	3	
32	90185-14112	NUT, SELF-LOCKING	1	1	1	
33	95617-14100	NUT, U	2	2	2	
34	5DH-2217F-01	ROD, CONNECTING 1	1	1	1	
35	93315-32056	BEARING	2	2	2	
36	93109-20076	OIL SEAL	2	2	2	
37	5HD-2135F-00	COVER	2	2	2	
38	99244-00200	EMBLEM, YAMAHA	2	2	2	

5NL1100-1220

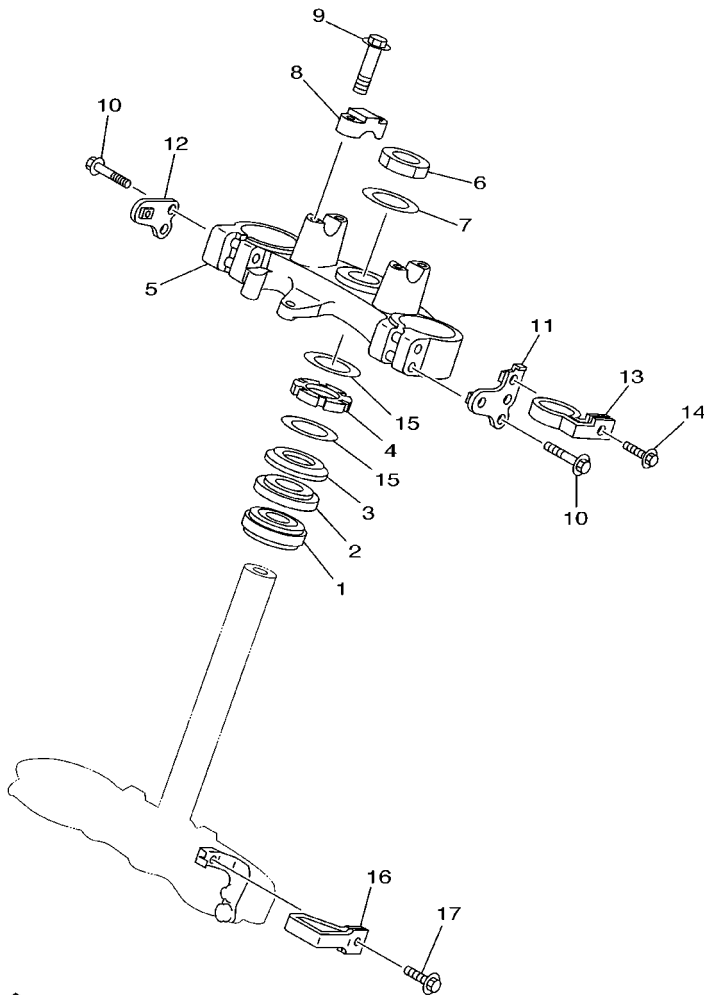
FIG. 23 REAR SUSPENSION



5NL1100-1230

REF. NO.	PART NO.	DESCRIPTION	5PH1	5PH2	5PH4	REMARKS
1	5PH-22210-00	SHOCK ABSORBER ASSY, REAR	1			
	5PH-22210-10	SHOCK ABSORBER ASSY, REAR		1		
	5PH-22210-30	SHOCK ABSORBER ASSY, REAR			1	UR FOR CAN
	5PH-22210-40	SHOCK ABSORBER ASSY, REAR			1	UR FOR OCE,ZAF
2	5PH-22201-00	.DAMPER SUB ASSY	1			
	5PH-22201-10	.DAMPER SUB ASSY		1		
	5PH-22201-40	.DAMPER SUB ASSY			1	
3	3SP-22234-00	..GUIDE, SPRING 3	1	1	1	
4	3SP-22213-00	..SEAT, SPRING UPPER	1	1	1	
5	509-23184-L0	..CAP, AIR VALVE	1	1	1	
6	4JX-22226-00	..BUSH, SHOCK ABSORBER LOWER	1	1	1	
7	5DH-23183-00	..CIRCLIP	2	2	2	
8	5DH-22212-20	..SPRING (K=4.8)	1	1	1	
9	5DH-22214-00	..GUIDE, SPRING 1	1	1	1	
10	5MV-22224-00	..GUIDE, SPRING 2	1	1	1	
11	5DH-22253-00	..COLLAR, DISTANCE	2	2	2	
12	3JE-22475-00	..SEAL, DUST	2	2	2	
13	4EW-22474-00	..SEAL, RING	2	2	2	
14	5MV-22176-00	..BEARING	1	1	1	
15	5MV-22184-00	..BUSH	1	1	1	
16	5MV-22253-00	..COLLAR, DISTANCE	2	2	2	
17	5MV-22475-00	..SEAL, DUST	2	2	2	
18	90105-10323	BOLT, WASHER BASED	1	1	1	
19	95607-10200	NUT, SELF-LOCKING	1	1	1	
20	90105-105A2	BOLT, WASHER BASED	1	1	1	
21	90201-112U6	WASHER, PLATE	1	1	1	

FIG. 24 STEERING

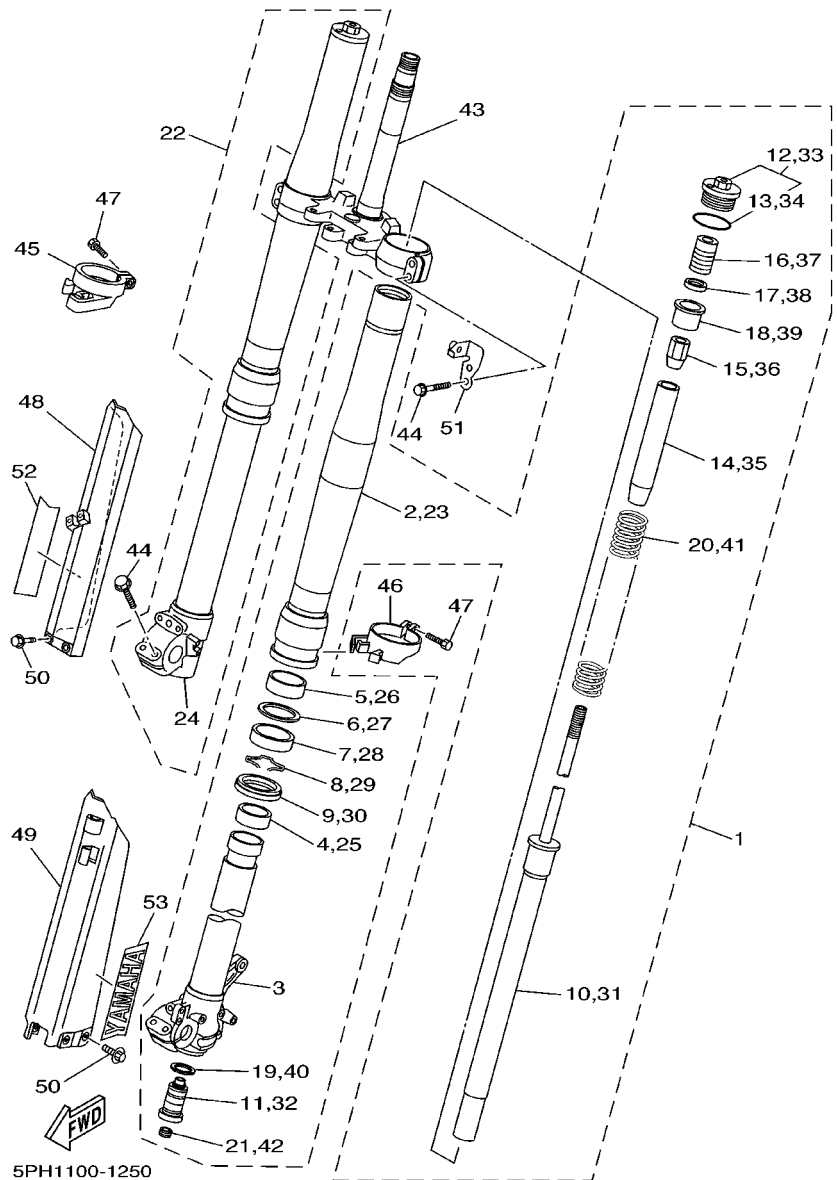


REF. NO.	PART NO.	DESCRIPTION	5PH1	5PH2	5PH4	REMARKS
1	93332-00081	BEARING	1	1	1	
2	93332-00068	BEARING	1	1	1	
3	4EW-23416-00	COVER, BALL RACE 2	1	1	1	
4	90179-28650	NUT	1	1	1	
5	5PH-23435-00	CROWN, HANDLE	1	1	1	
6	90170-24373	NUT	1	1	1	
7	90201-247L2	WASHER, PLATE	1	1	1	
8	3SP-23441-00	HOLDER, HANDLE UPPER	2	2	2	
9	95027-08035	BOLT, FLANGE	4	4	4	
10	95027-08040	BOLT, FLANGE	4	4	4	
11	4GY-2831V-00	STAY, HEAD LIGHT 1	1	1	1	
12	4GY-2832V-00	STAY, HEAD LIGHT 2	1	1	1	
13	4GY-23389-00	GUIDE, CABLE	1	1	1	
14	90105-05361	BOLT, WASHER BASED	1	1	1	
15	90201-286K9	WASHER, PLATE	2	2	2	
16	4DA-23389-00	GUIDE, CABLE	1	1	1	
17	90119-05071	BOLT, WITH WASHER	1	1	1	



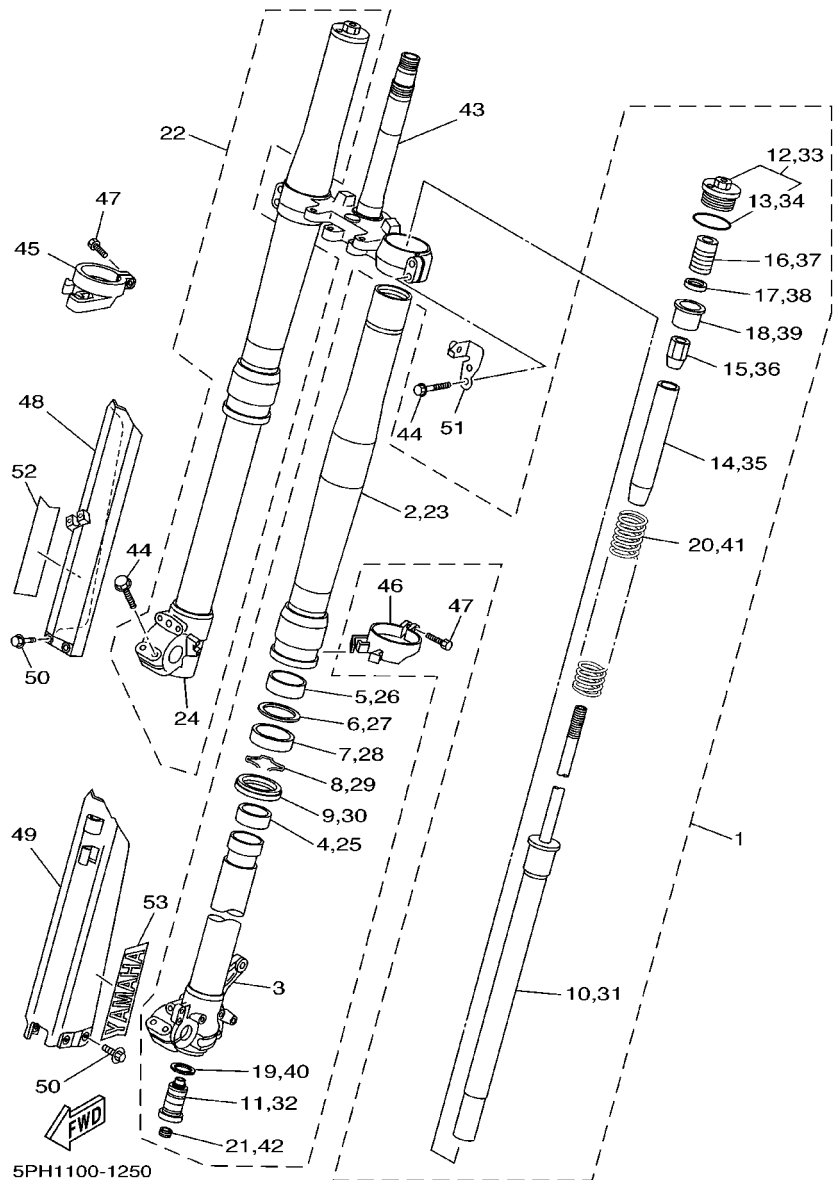
5PH1100-1240

FIG. 25 FRONT FORK



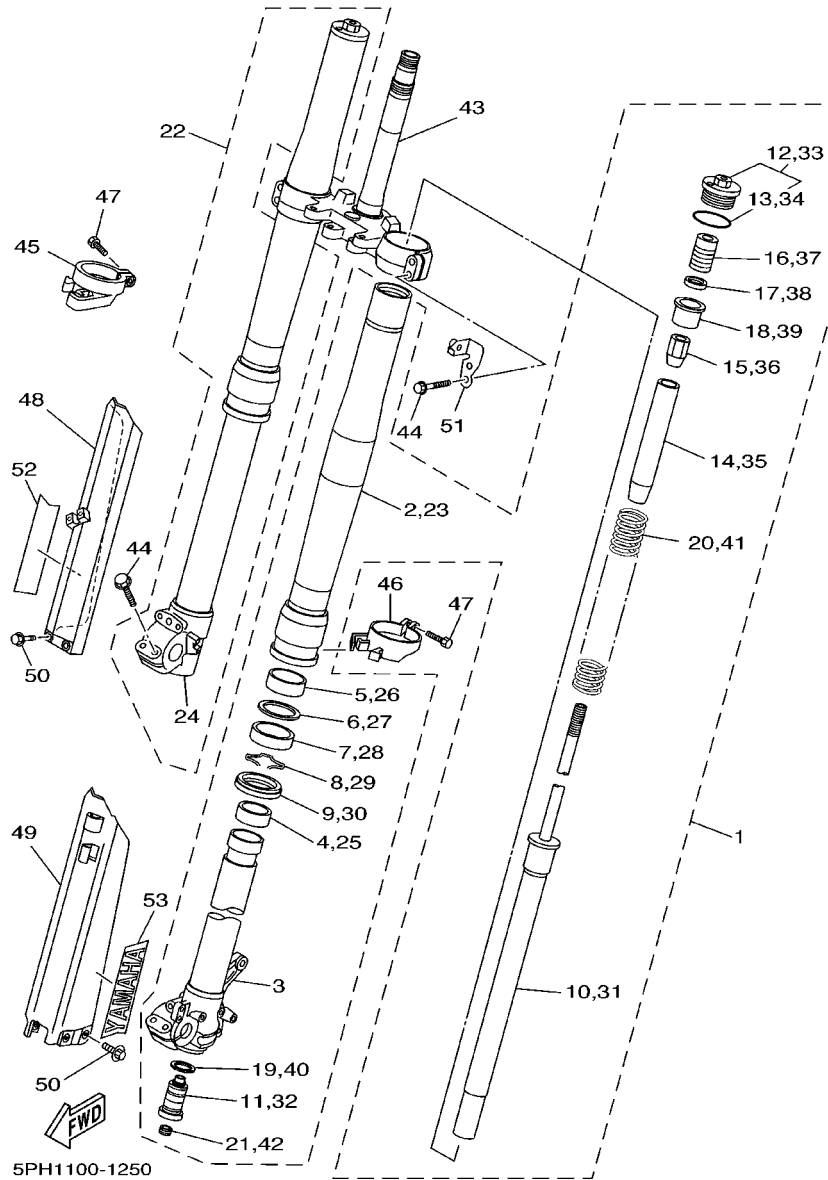
REF. NO.	PART NO.	DESCRIPTION	5PH1	5PH2	5PH4	REMARKS
1	5PH-23102-00	FRONT FORK ASSY (L.H)	1		1	UR FOR CAN
	5PH-23102-10	FRONT FORK ASSY (L.H)		1		
	5PH-23102-40	FRONT FORK ASSY (L.H)			1	UR FOR OCE,ZAF
2	5HD-23136-L0	.TUBE, OUTER (RIGHT)	1	1	1	
3	5DH-23120-L0	.INNER TUBE COMP.2	1	1	1	
4	5ET-23171-L0	.PISTON, FRONT FORK	1	1	1	
5	5ET-23125-L0	.METAL, SLIDE 1	1	1	1	
6	4SS-23146-L0	.WASHER, OIL SEAL	1	1	1	
7	5ET-23145-L0	.OIL SEAL	1	1	1	
8	4SS-23153-L0	.RING, SNAP	1	1	1	
9	5HD-23144-L0	.SEAL, DUST	1	1	1	
10	5NG-23170-10	.CYLINDER COMP., FRONT FORK	1	1	1	
11	5PH-2316A-00	.VALVE COMP.	1	1		UR FOR CAN
	5PH-2316A-10	.VALVE COMP.		1		
	5PH-2316A-40	.VALVE COMP.			1	UR FOR OCE,ZAF
12	5MV-23111-L0	.BOLT, CAP	1	1	1	
13	93210-42263	..O-RING	1	1	1	
14	5DH-23142-L0	.SEAT, SPRING UPPER	1	1	1	
15	5HD-23393-L0	.NUT, SPECIAL	1	1	1	
16	5DH-23195-L0	.RUBBER	1	1	1	
17	5DH-23149-L0	.WASHER, SPRING UPPER	1	1	1	
18	5DH-23118-L0	.SPACER	1	1	1	
19	4SS-23158-L0	.GASKET	1	1	1	
20	5NL-23141-00	.SPRING, FRONT FORK (K=0.44)	1	1		UR FOR CAN
	4SR-23141-L0	.SPRING, FRONT FORK (K=0.42)		1		
	4XM-23141-L0	.SPRING, FRONT FORK (K=0.41)			1	UR FOR OCE,ZAF
21	3JD-2312G-L0	.PLUG	1	1	1	

FIG. 25 FRONT FORK



REF. NO.	PART NO.	DESCRIPTION	5PH1	5PH2	5PH4	REMARKS
22	5PH-23103-00	FRONT FORK ASSY (R.H)	1		1	UR FOR CAN
	5PH-23103-10	FRONT FORK ASSY (R.H)		1		
	5PH-23103-40	FRONT FORK ASSY (R.H)			1	UR FOR OCE,ZAF
23	5HD-23136-L0	.TUBE, OUTER (RIGHT)	1	1	1	
24	5BF-23110-L0	.INNER TUBE COMP.1	1	1	1	
25	5ET-23171-L0	.PISTON, FRONT FORK	1	1	1	
26	5ET-23125-L0	.METAL, SLIDE 1	1	1	1	
27	4SS-23146-L0	.WASHER, OIL SEAL	1	1	1	
28	5ET-23145-L0	.OIL SEAL	1	1	1	
29	4SS-23153-L0	.RING, SNAP	1	1	1	
30	5HD-23144-L0	.SEAL, DUST	1	1	1	
31	5NG-23170-10	.CYLINDER COMP., FRONT FORK	1	1	1	
32	5PH-2316A-00	.VALVE COMP.	1	1		UR FOR CAN
	5PH-2316A-10	.VALVE COMP.		1		
	5PH-2316A-40	.VALVE COMP.			1	UR FOR OCE,ZAF
33	5MV-23111-L0	.BOLT, CAP	1	1	1	
34	93210-42263	..O-RING	1	1	1	
35	5DH-23142-L0	.SEAT, SPRING UPPER	1	1	1	
36	5HD-23393-L0	.NUT, SPECIAL	1	1	1	
37	5DH-23195-L0	.RUBBER	1	1	1	
38	5DH-23149-L0	.WASHER, SPRING UPPER	1	1	1	
39	5DH-23118-L0	.SPACER	1	1	1	
40	4SS-23158-L0	.GASKET	1	1	1	
41	5NL-23141-00	.SPRING, FRONT FORK (K=0.44)	1	1		UR FOR CAN
	4SR-23141-L0	.SPRING, FRONT FORK (K=0.42)		1		
	4XM-23141-L0	.SPRING, FRONT FORK (K=0.41)			1	UR FOR OCE,ZAF
42	3JD-2312G-L0	.PLUG	1	1	1	

FIG. 25 FRONT FORK



REF. NO.	PART NO.	DESCRIPTION	5PH1	5PH2	5PH4	REMARKS
43	5PH-23340-00	UNDER BRACKET COMP.	1	1	1	
44	5MV-23346-L0	BOLT 1	8	8	8	
45	4SS-2314G-L0	PROTECTOR GUIDE COMP., 2	1	1	1	
46	5DH-2314F-L0	PROTECTOR GUIDE COMP., 1	1	1	1	
47	4SS-23346-L0	BOLT 1	2	2	2	
48	5BF-2314J-00	PROTECTOR COMP., 2	1	1	1	
49	5DH-2314H-00	PROTECTOR COMP., 1	1	1	1	
50	3SP-23356-L0	BOLT 2	6	6	6	
51	5HC-2331E-00	GUIDE, CABLE	1	1	1	
52	4XL-2153A-10	EMBLEM, YAMAHA	1	1	1	
53	4XL-2153A-10	EMBLEM, YAMAHA	1	1	1	

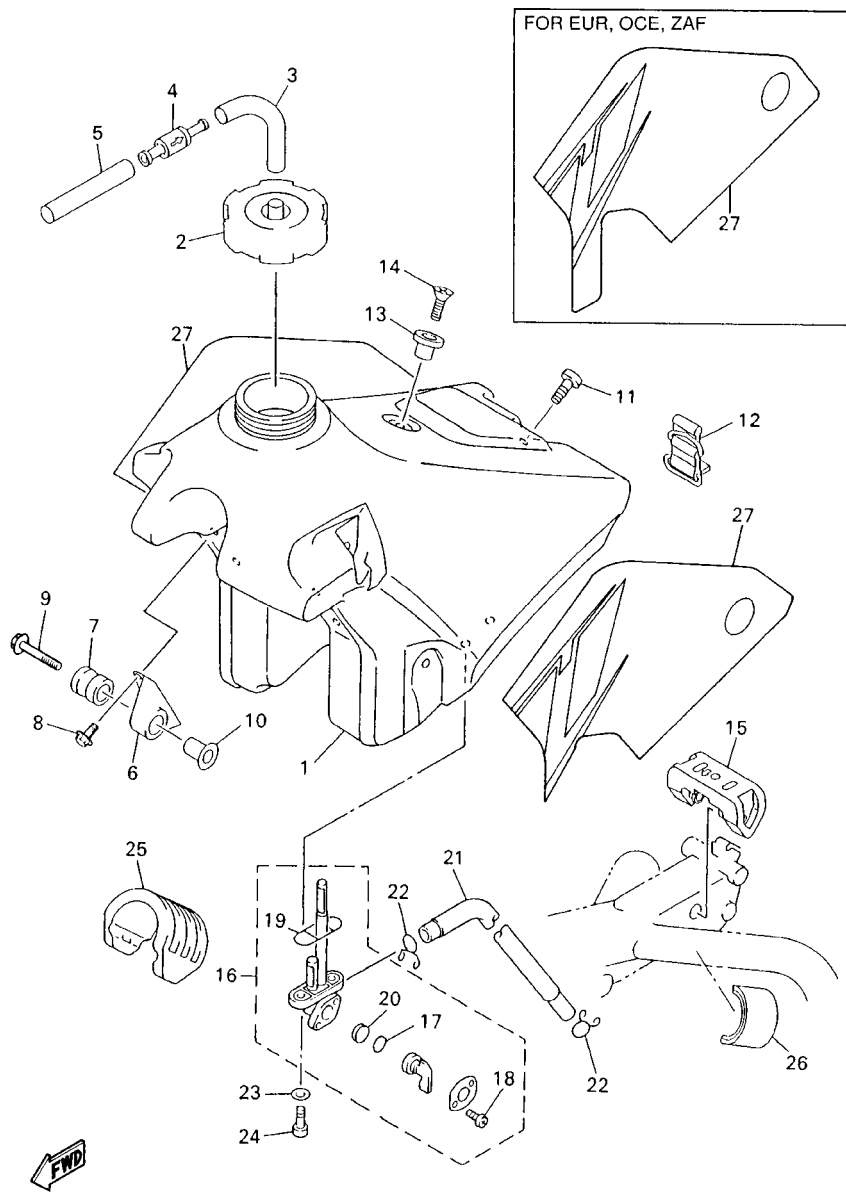
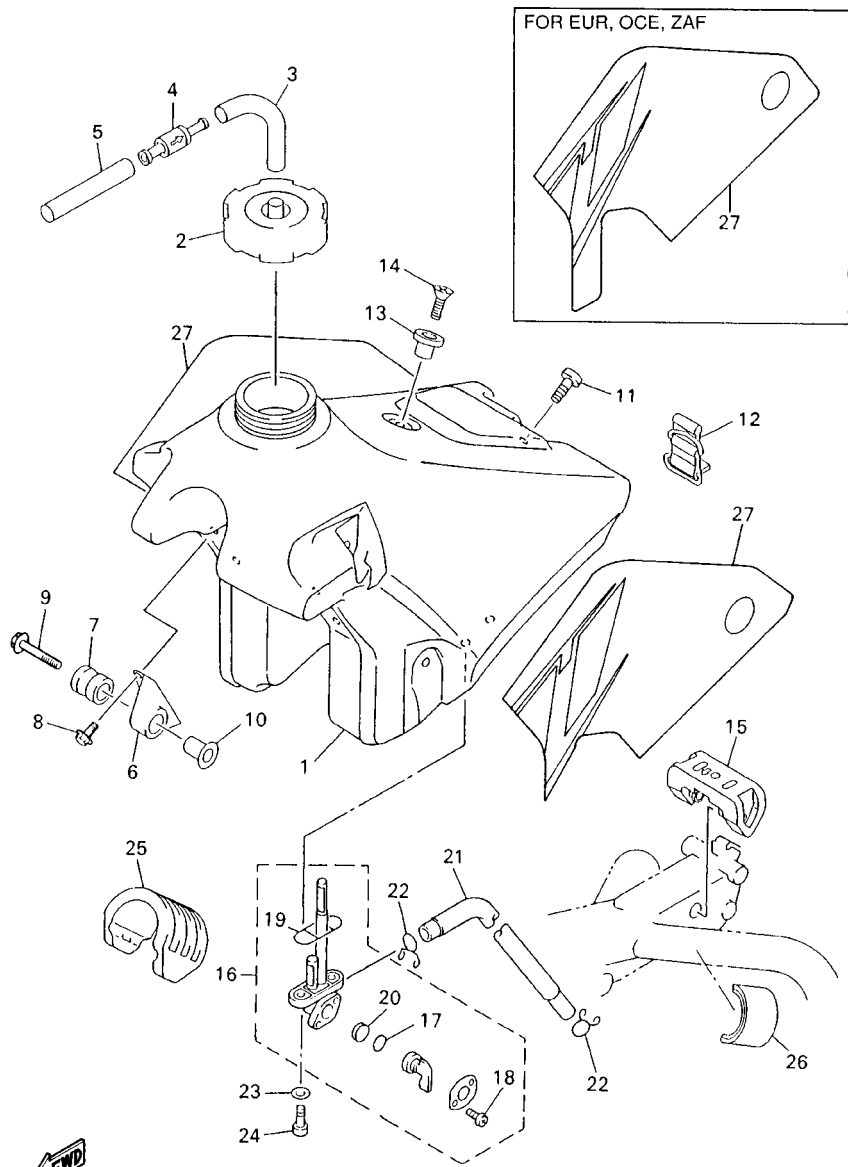


FIG. 26 FUEL TANK

REF. NO.	PART NO.	DESCRIPTION	5PH1	5PH2	5PH4	REMARKS
1	5GS-24110-00	FUEL TANK COMP.	1		1	UR FOR CAN
	5JG-24110-50	FUEL TANK COMP.		1	1	UR FOR OCE,ZAF
2	5MV-24610-00	CAP ASSY	1	1	1	
3	90445-09220	HOSE	1	1	1	
4	3XJ-24380-00	PIPE JOINT ASSY	1	1	1	
5	90445-09109	HOSE	1		1	UR FOR CAN
	90445-09251	HOSE (L350)		1	1	UR FOR OCE,ZAF
6	24X-24144-00	HOLDER, DAMPER	2	2	2	
7	90480-18549	GROMMET	2	2	2	
8	95027-06016	BOLT, FLANGE	4	4	4	
9	90119-06214	BOLT, WITH WASHER	2	2	2	
10	3JD-24186-00	WASHER, SPECIAL	2	2	2	
11	98907-06020	SCREW, BIND	1	1	1	
12	3SP-24173-00	BAND, TANK FITTING 1	1	1	1	
13	4EW-2412F-00	BRACKET, SEAT	1	1	1	
14	98707-06025	SCREW, FLAT HEAD	1	1	1	
15	4SS-24181-00	DAMPER, LOCATING 1	1	1	1	
16	2GU-24500-01	FUEL COCK ASSY 1	1	1	1	
17	3AJ-24534-00	.SEAL, COCK	1	1	1	
18	97801-03008	.SCREW, PAN HEAD	2	2	2	
19	4X8-24512-00	.O-RING	1	1	1	
20	3AJ-24523-00	.VALVE PACKING	1	1	1	
21	90445-114K9	HOSE (L185)	1		1	UR FOR CAN
	90445-11002	HOSE (L195)		1	1	UR FOR OCE,ZAF
22	90467-10008	CLIP	2	2	2	
23	90202-05193	WASHER, PLATE	2	2	2	
24	90149-06011	SCREW	2	2	2	

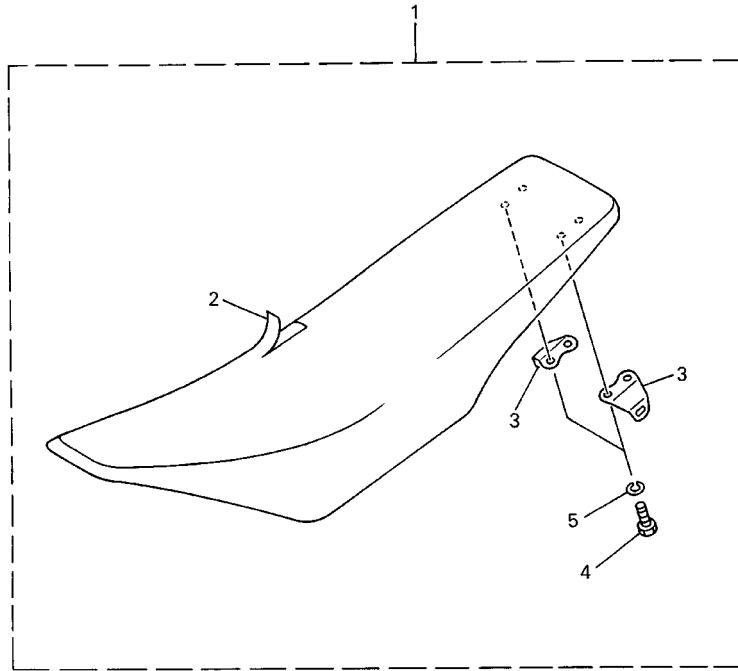


5NG1100-1260

FIG. 26 FUEL TANK

REF. NO.	PART NO.	DESCRIPTION	5PH1	5PH2	5PH4	REMARKS
25	5BE-24182-00	DAMPER, LOCATING 2	1	1	1	
26	3V6-22358-00	SEAL 1	2	2	2	
27	5NG-24240-00	GRAPHIC SET	1		1	UR FOR CAN
	5JG-24240-50	GRAPHIC SET		1	1	UR FOR OCE,ZAF

FIG. 27 SEAT

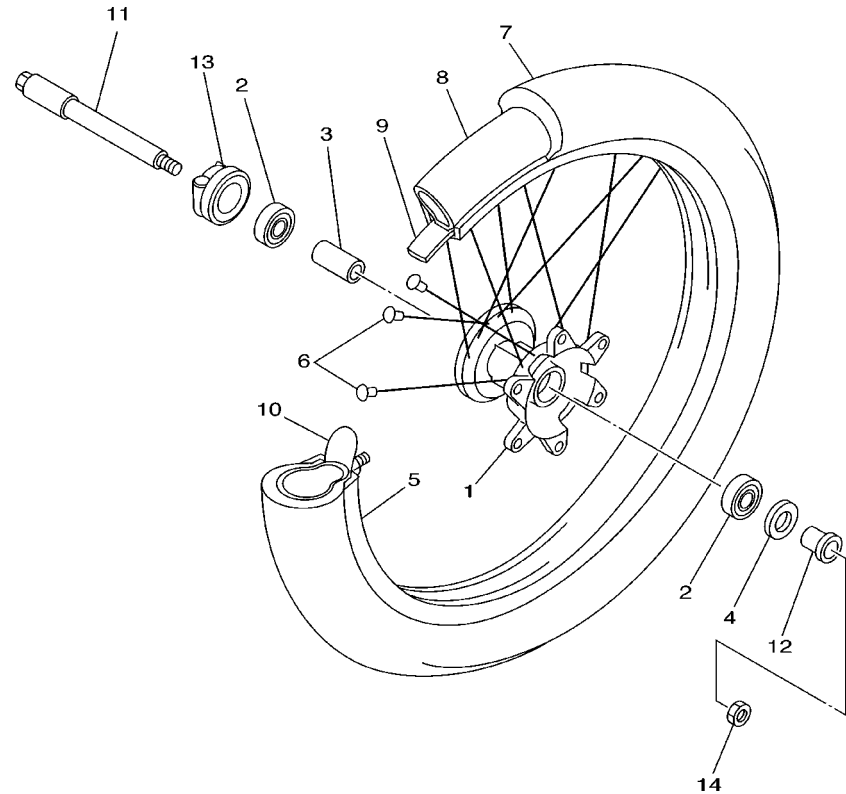


REF. NO.	PART NO.	DESCRIPTION	5PH1	5PH2	5PH4	REMARKS
1	5NG-24710-00	SINGLE SEAT ASSY	1		1	UR FOR CAN
	5JG-24710-50	SINGLE SEAT ASSY		1	1	UR FOR OCE,ZAF
2	5NG-24731-00	.COVER, SEAT	1		1	UR FOR CAN
	5JG-24731-50	.COVER, SEAT		1	1	UR FOR OCE,ZAF
3	5BE-24728-00	.BRACKET, SEAT	2	2	2	
4	97007-06012	.BOLT	4	4	4	
5	92907-06100	.WASHER, SPRING	4	4	4	



5BE100-8270

FIG. 28 FRONT WHEEL

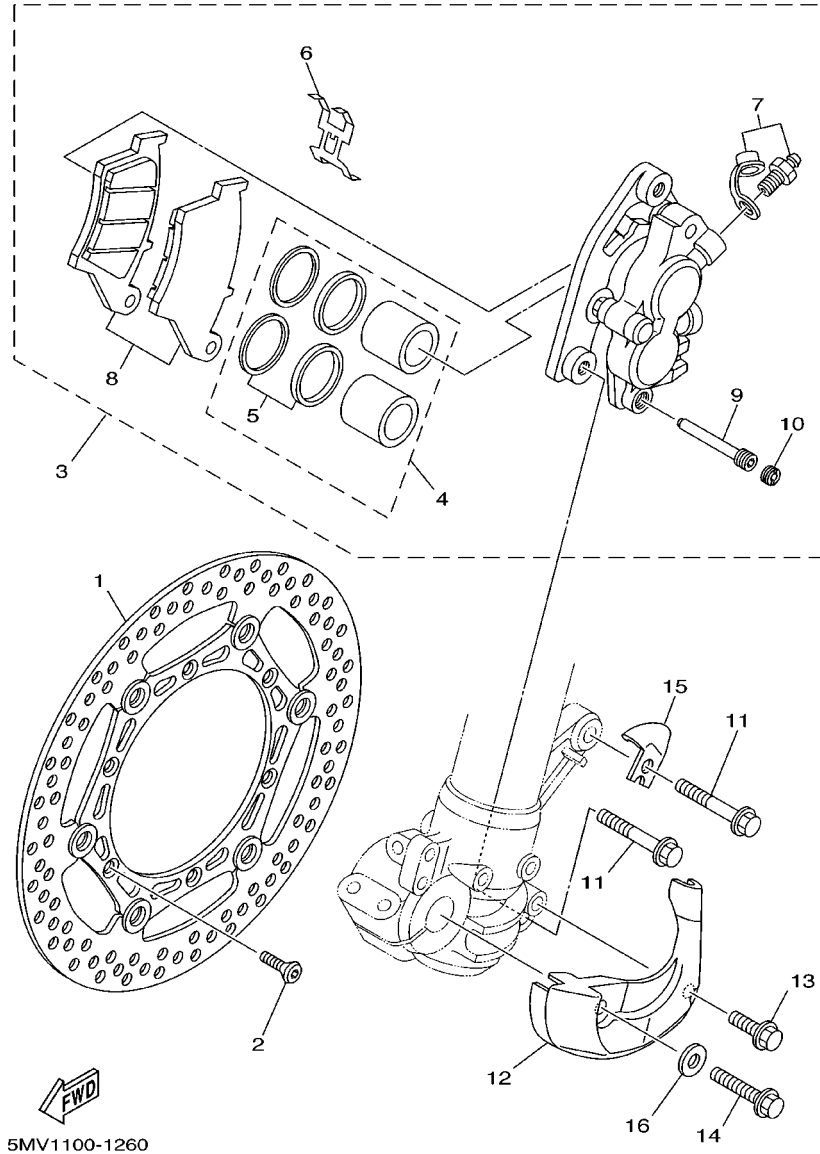


REF. NO.	PART NO.	DESCRIPTION	5PH1	5PH2	5PH4	REMARKS
1	5BF-25111-01	HUB, FRONT	1	1	1	
2	93306-90403	BEARING	2	2	2	
3	5DH-25117-00	SPACER, BEARING	1	1	1	
4	93102-26468	OIL SEAL	1	1	1	
5	94416-21002	RIM (1.60-21)	1	1	1	
6	4DA-25104-00	SPOKE SET, FRONT	1	1	1	
7	94108-21008	TIRE (80/100-21 51M D739F)	1		1	UR DUNLOP FOR CAN, ZAF
	*	TIRE (90/90-21 54R ENDURO COMP)		1		LM MICHELIN
	94109-21008	TIRE (90/90-21 54R D606F)			1	UR DUNLOP
8	94227-21101	TUBE (80/100-21 TR4 BTL)	1		1	DUNLOP
	*	TUBE (90/90-21)		1		LM MICHELIN
9	94309-21161	BAND, RIM (70-80/100-21)	1		1	DUNLOP
	*	BAND, RIM (2.75-21)		1		LM MICHELIN
10	2J5-25394-01	SPACER, BEAD	1	1	1	
11	5BE-25181-00	AXLE, WHEEL	1	1	1	
12	5DH-25183-00	COLLAR, WHEEL	1	1	1	
13	5BF-25190-01	GEAR UNIT ASSY	1	1	1	
14	90179-16672	NUT	1	1	1	



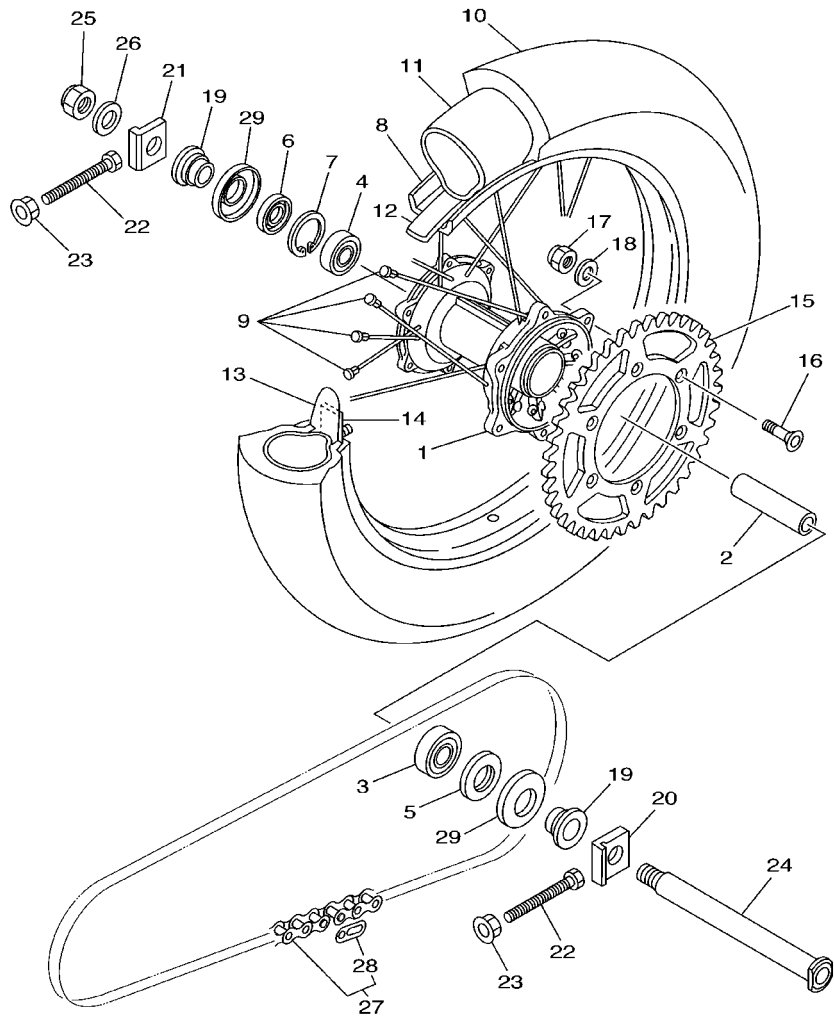
5PH1100-1280

FIG. 29 FRONT BRAKE CALIPER



REF. NO.	PART NO.	DESCRIPTION	5PH1	5PH2	5PH4	REMARKS
1	5MV-2581T-00	DISC BRAKE ASSY	1	1	1	
2	90149-06327	SCREW	6	6	6	
3	5MV-2580T-10	CALIPER ASSY (LEFT)	1	1	1	
4	4EW-W0057-00	.PISTON ASSY, CALIPER	1	1	1	
5	3JD-W0047-00	..CALIPER SEAL KIT	1	1	1	
6	5DH-25919-00	.SUPPORT, PAD	1	1	1	
7	1UY-W0048-50	.BLEED SCREW KIT	1	1	1	
8	5MV-W0045-00	.BRAKE PAD KIT	1	1	1	
9	5DH-25933-00	.PIN, PAD	1	1	1	
10	5DH-25916-00	.PLUG	1	1	1	
11	90105-08659	BOLT, WASHER BASED	2	2	2	
12	5DH-2314E-00	COVER, HOSE	1	1	1	
13	95827-06012	BOLT, FLANGE	1	1	1	
14	95027-08020	BOLT, FLANGE	1	1	1	
15	5DH-25875-00	HOLDER, BRAKE HOSE 1	1	1	1	
16	92907-08200	WASHER	1	1	1	

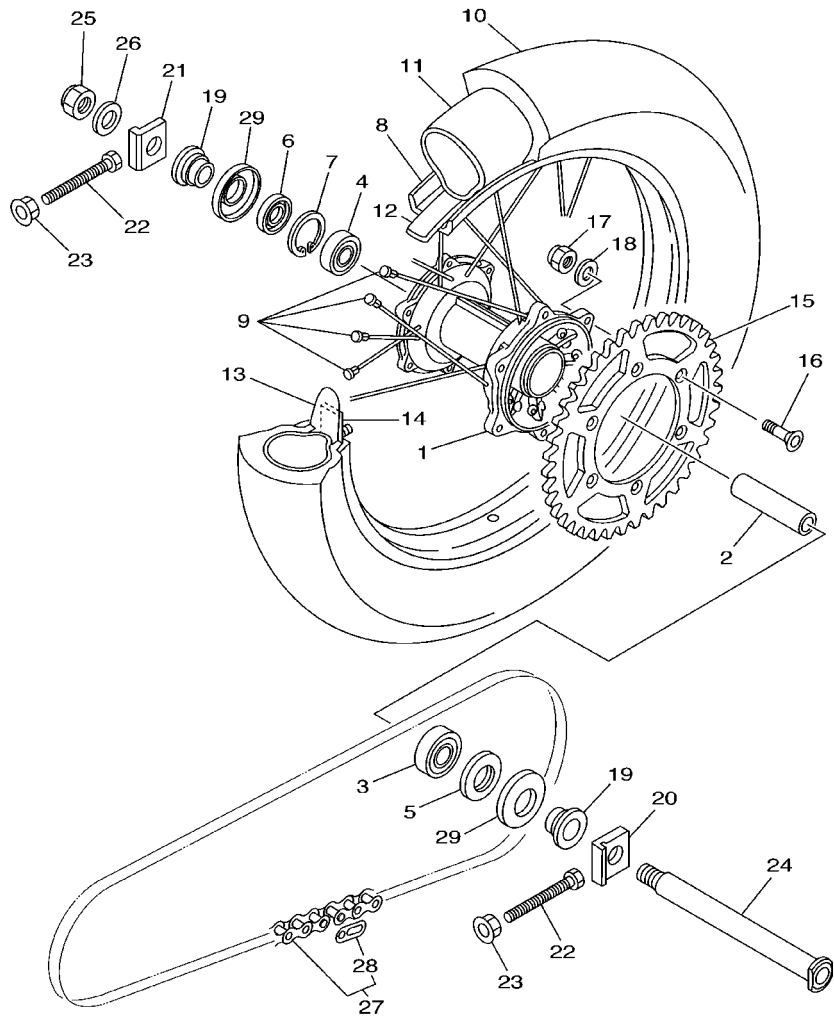
FIG. 30 REAR WHEEL



5PH1100-1300

REF. NO.	PART NO.	DESCRIPTION	5PH1	5PH2	5PH4	REMARKS
1	5ET-25311-00	HUB, REAR	1	1	1	
2	5ET-25317-00	SPACER, BEARING	1	1	1	
3	93306-27205	BEARING	1	1	1	
4	93306-07202	BEARING	1	1	1	
5	93106-30044	OIL SEAL	1	1	1	
6	93106-30045	OIL SEAL	1	1	1	
7	99009-45500	CIRCLIP	1	1	1	
8	94418-18005	RIM (1.85-18)	1	1	1	
9	5GS-25304-00	SPOKE SET, REAR	1	1	1	
10	94110-18008	TIRE (100/100-18 D739)	1		1	UR DUNLOP FOR CAN, ZAF
	*	TIRE (120/90-18)		1		LM MICHELIN
	94112-18015	TIRE (120/90-18 65R D606)			1	UR DUNLOP
11	94211-18176	TUBE (100-120/80-100-18)	1		1	UR DUNLOP FOR CAN, ZAF
	*	TUBE (120/90-18)			1	LM MICHELIN
	94212-18188	TUBE (120/90-18)			1	UR DUNLOP
12	94309-18146	BAND, RIM (110/100-18)	1		1	UR DUNLOP FOR CAN, ZAF
	*	BAND, RIM (2.15-18)			1	LM MICHELIN
	94380-18141	BAND, RIM (80-120/90-18)			1	UR DUNLOP
13	4XM-25394-00	SPACER, BEAD	2	2	2	
14	4XM-25364-00	DAMPER	2	2	2	
15	5GS-25452-50	SPROCKET, DRIVEN (52T)	1	1	1	STD
	5GS-25448-50	SPROCKET, DRIVEN (48T)	1	1	1	AP
	5GS-25450-50	SPROCKET, DRIVEN (50T)	1	1	1	AP
	5PH-25454-50	SPROCKET, DRIVEN (54T)	1	1	1	AP
16	90109-081G1	BOLT	6	6	6	
17	90185-08169	NUT, SELF-LOCKING	6	6	6	
18	90201-08326	WASHER, PLATE	6	6	6	

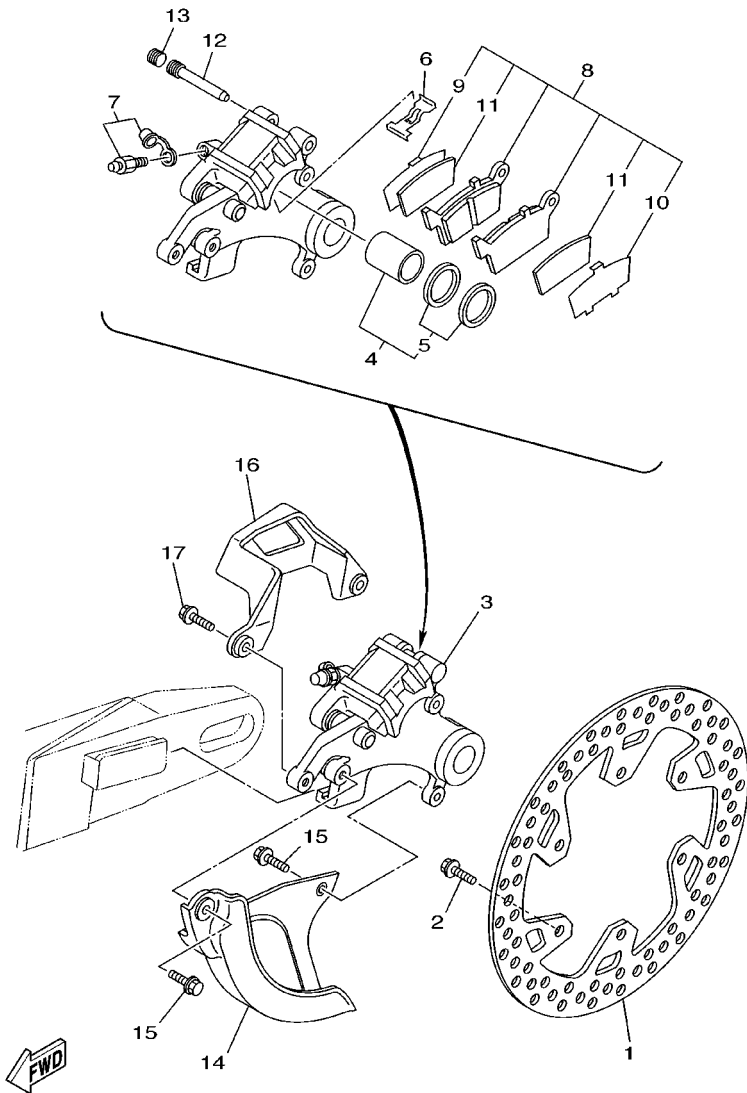
FIG. 30 REAR WHEEL



5PH1100-1300

REF. NO.	PART NO.	DESCRIPTION	5PH1	5PH2	5PH4	REMARKS
19	5ET-25383-00	COLLAR, WHEEL	2	2	2	
20	5ET-25388-00	PULLER, CHAIN 1	1	1	1	
21	5ET-25389-00	PULLER, CHAIN 2	1	1	1	
22	90101-08777	BOLT	2	2	2	
23	90179-08299	NUT	2	2	2	
24	5ET-25381-00	AXLE, WHEEL	1	1	1	
25	90185-20168	NUT, SELF-LOCKING	1	1	1	
26	90201-203U1	WASHER, PLATE	1	1	1	
27	9Y581-76113	CHAIN (DID 520VM-114LL)	1	1	1	
28	94681-76021	JOINT, CHAIN	1	1	1	
29	5ET-25367-00	COVER, HUB DUST	2	2	2	

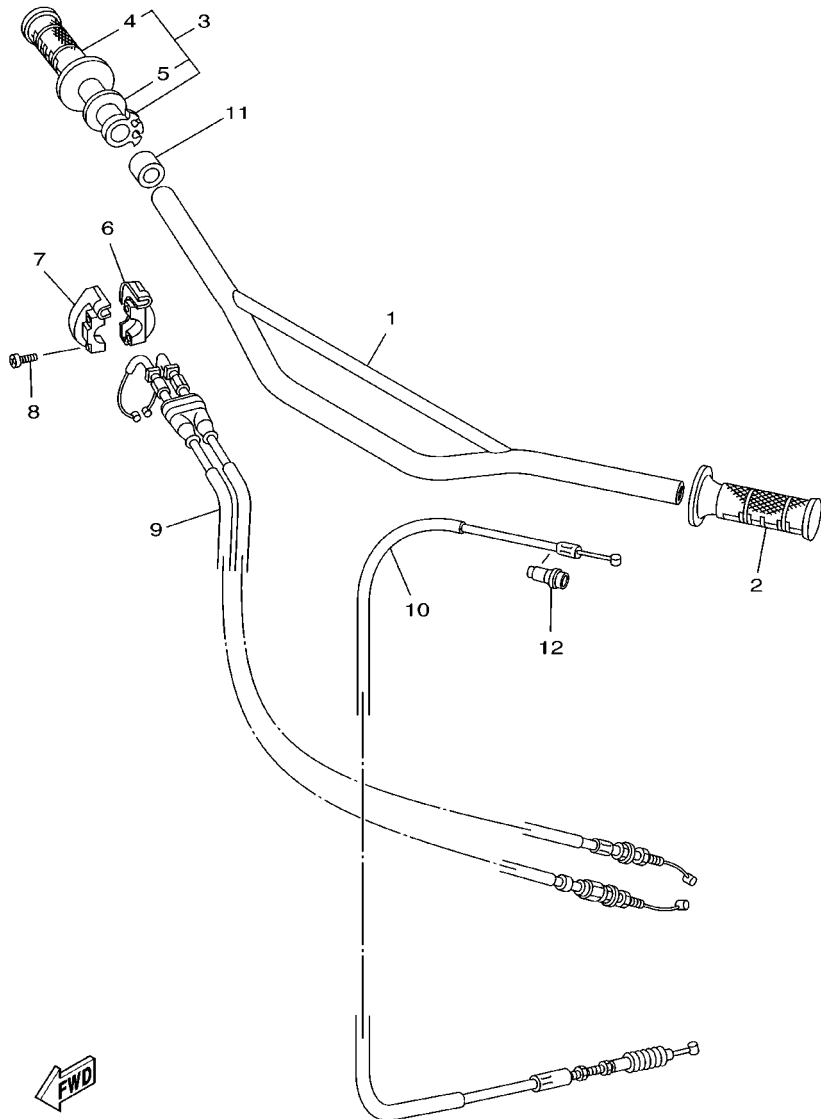
FIG. 31 REAR BRAKE CALIPER



5NL1100-1310

REF. NO.	PART NO.	DESCRIPTION	5PH1	5PH2	5PH4	REMARKS
1	5DH-2582W-00	DISC, REAR BRAKE 2	1	1	1	
2	90109-065G4	BOLT	6	6	6	
3	5GR-2580W-00	CALIPER ASSY, REAR 2	1	1	1	
4	5ET-W0057-50	.PISTON ASSY, CALIPER	1	1	1	
5	5ET-W0047-50	..CALIPER SEAL KIT	1	1	1	
6	5DH-25919-50	..SUPPORT, PAD	1	1	1	
7	1UY-W0048-50	..BLEED SCREW KIT	1	1	1	
8	5GR-W0046-00	..BRAKE PAD KIT 2	1	1	1	
9	5DH-25828-50	..SHIM, CALIPER	1	1	1	
10	5DH-25827-50	..SHIM, CALIPER	1	1	1	
11	5GR-22898-50	..INSULATOR, HEAT	2	2	2	
12	8CR-25924-00	..PIN, PAD	1	1	1	
13	5DH-25916-00	..PLUG	1	1	1	
14	5DH-25718-01	PROTECTOR, DISK BRAKE	1	1	1	
15	95027-06012	BOLT, FLANGE	2	2	2	
16	4GY-27491-00	PROTECTOR	1	1	1	
17	95027-06016	BOLT, FLANGE	2	2	2	

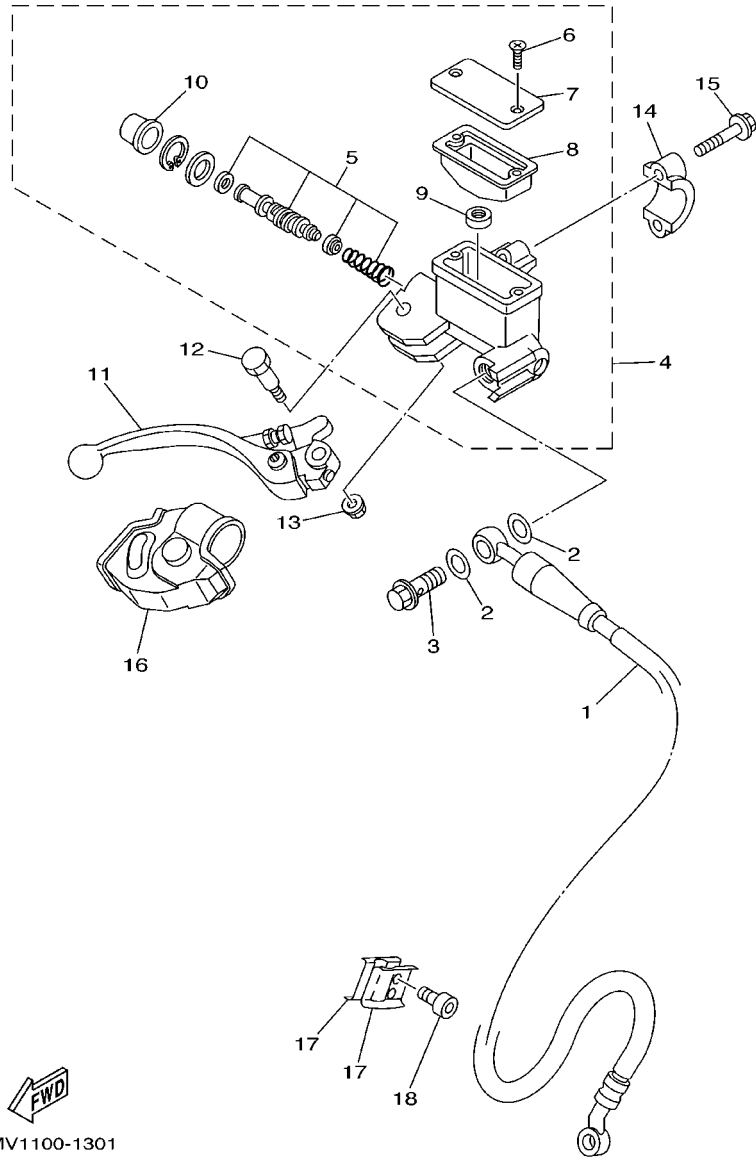
FIG. 32 STEERING HANDLE. CABLE



5NL1100-1320

REF. NO.	PART NO.	DESCRIPTION	5PH1	5PH2	5PH4	REMARKS
1	4XM-26111-00	HANDLEBAR	1	1	1	
2	4GY-26241-00	GRIP (LEFT)	1	1	1	
3	5BE-26240-00	GRIP ASSY	1	1	1	
4	4GY-26242-00	.GRIP (RIGHT)	1	1	1	
5	3Y1-26249-00	.RING, LEAF	1	1	1	
6	5BE-26281-00	CAP, GRIP UPPER	1	1	1	
7	5BE-26282-00	CAP, GRIP LOWER	1	1	1	
8	98507-05020	SCREW, PAN HEAD	2	2	2	
9	5JG-26302-50	THROTTLE CABLE ASSY	1	1	1	
10	5JG-26335-00	CABLE, CLUTCH	1	1	1	
11	90387-225N2	COLLAR	1	1	1	
12	5HD-26342-00	BOOT, CABLE	1	1	1	

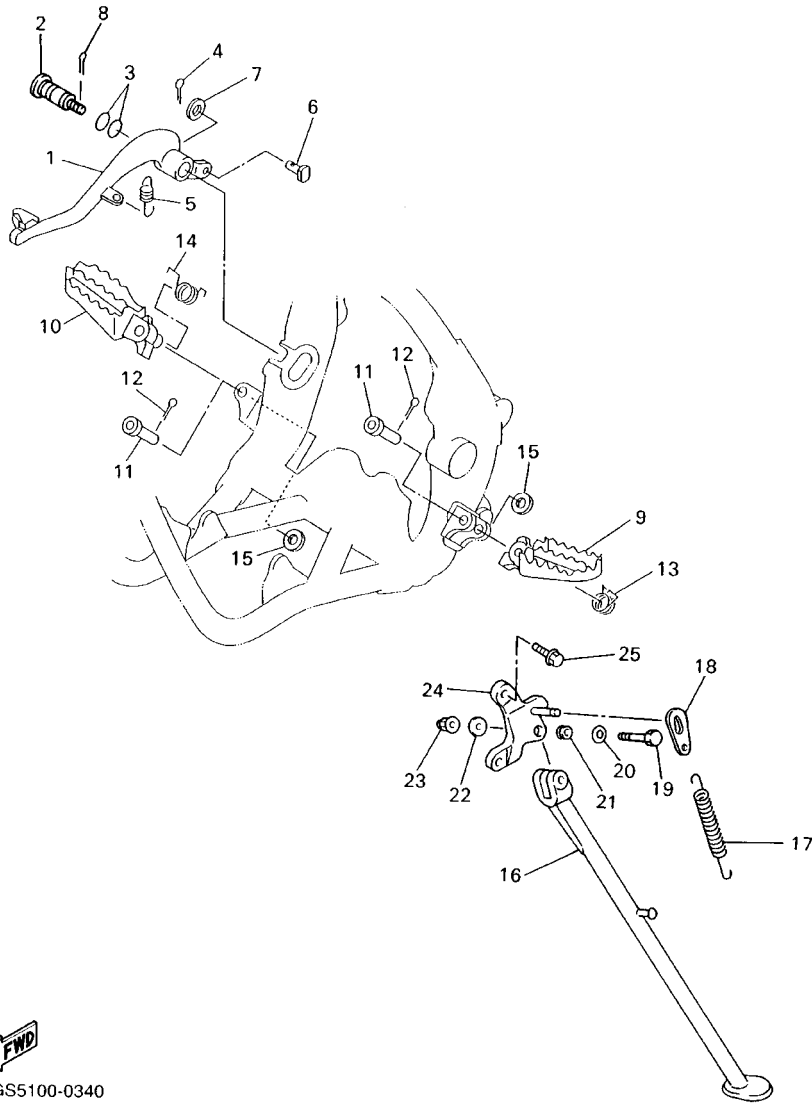
FIG. 33 FRONT MASTER CYLINDER



FWD
5MV1100-1301

REF. NO.	PART NO.	DESCRIPTION	5PH1	5PH2	5PH4	REMARKS
1	5PH-25872-00	HOSE, BRAKE 1	1	1	1	
2	90201-10118	WASHER, PLATE	4	4	4	
3	90401-10172	BOLT, UNION	2	2	2	
4	5MV-W2587-00	MASTER CYLINDER SUB ASSY	1	1	1	
5	5MV-W0041-00	.CYLINDER KIT, MASTER	1	1	1	
6	98706-04012	.SCREW, FLAT HEAD	2	2	2	
7	5MV-25852-00	.CAP, RESERVOIR	1	1	1	
8	56A-25854-00	.DIAPHRAGM, RESERVOIR	1	1	1	
9	8CR-25715-00	.SEPARATOR ASSY	1	1	1	
10	5G2-25868-00	.BOOT, MASTER CYLINDER	1	1	1	
11	5MV-83922-00	LEVER 2	1	1	1	
12	5MV-2589F-00	BOLT, LEVER	1	1	1	
13	95701-06500	NUT, FLANGE	1	1	1	
14	5MV-25867-00	BRACKET, MASTER CYLINDER	1	1	1	
15	5MV-25833-00	BOLT, FITTING	2	2	2	
16	5MV-26372-00	COVER, HANDLE LEVER 1	1	1	1	
17	90465-16258	CLAMP	2	2	2	
18	91317-06014	BOLT	2	2	2	

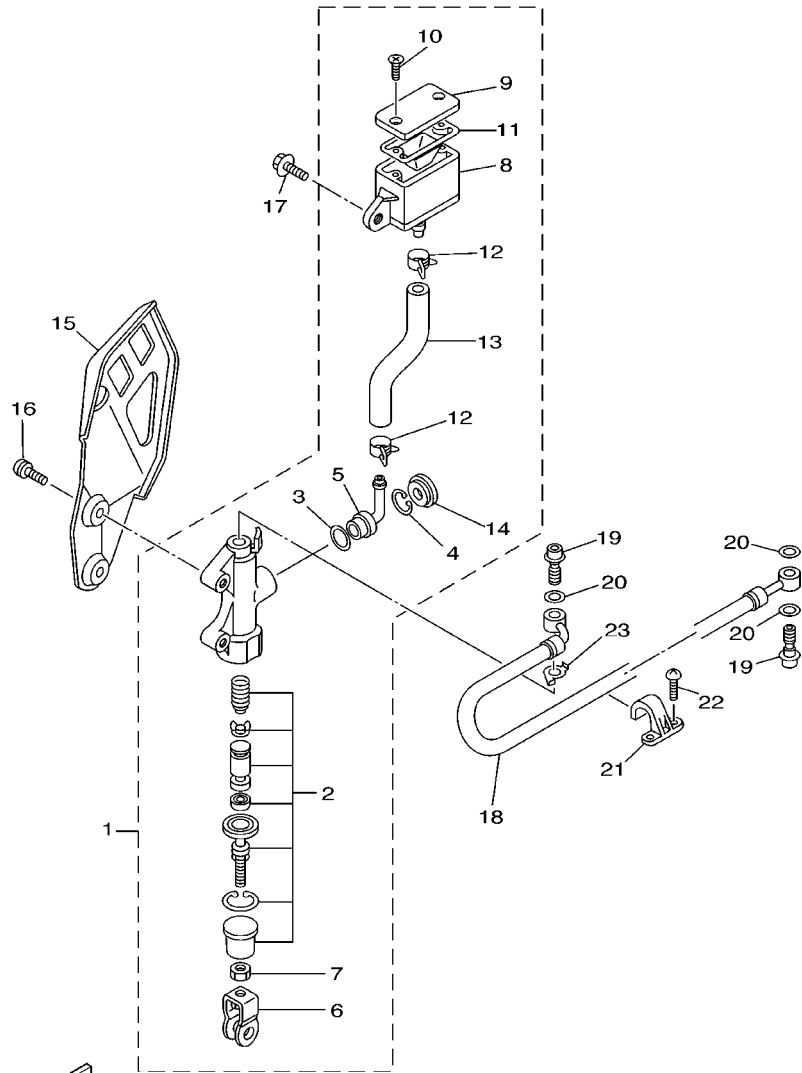
FIG. 34 STAND, FOOTREST



FWD
5GS5100-0340

REF. NO.	PART NO.	DESCRIPTION	5PH1	5PH2	5PH4	REMARKS
1	4XM-27200-00	PEDAL, BRAKE	1	1	1	
2	5JG-27217-00	BOLT	1	1	1	
3	93210-11073	O-RING	2	2	2	
4	91401-20012	PIN, COTTER	1	1	1	
5	90506-16500	SPRING, TENSION	1	1	1	
6	90240-08120	PIN, CLEVIS	1	1	1	
7	90201-08089	WASHER, PLATE	1	1	1	
8	90468-16191	CLIP	1	1	1	
9	5ET-27411-00	FOOTREST 1	1	1	1	
10	5ET-27421-00	FOOTREST 2	1	1	1	
11	90240-10142	PIN, CLEVIS	2	2	2	
12	91401-25015	PIN, COTTER	2	2	2	
13	90508-282B8	SPRING, TORSION	1	1	1	
14	90508-282B9	SPRING, TORSION	1	1	1	
15	90201-10119	WASHER, PLATE	2	2	2	
16	5BF-27311-00	STAND, SIDE	1	1	1	
17	90506-35473	SPRING, TENSION	1	1	1	
18	5GS-27315-50	LINK, SIDE STAND	1	1	1	
19	90101-10738	BOLT	1	1	1	
20	90201-112U6	WASHER, PLATE	1	1	1	
21	90387-1003G	COLLAR	1	1	1	
22	92990-10200	WASHER, PLAIN	1	1	1	
23	95617-10100	NUT, U	1	1	1	
24	5GS-21458-50	BRACKET, SIDE STAND	1	1	1	
25	95027-10020	BOLT, FLANGE	2	2	2	

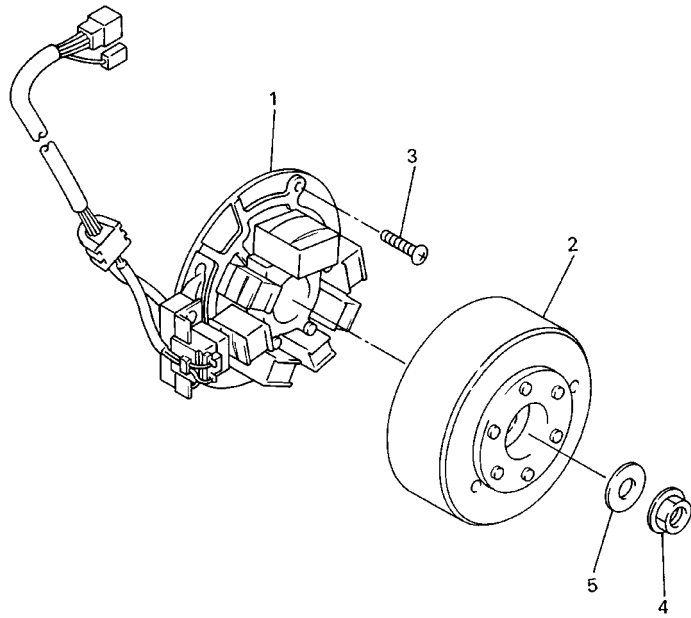
FIG. 35 REAR MASTER CYLINDER



5NL1100-1350

REF. NO.	PART NO.	DESCRIPTION	5PH1	5PH2	5PH4	REMARKS
1	5JG-2583V-00	RR. MASTER CYLINDER ASSY.	1	1	1	
2	4SS-W0042-50	.CYLINDER KIT, MASTER	1	1	1	
3	93210-15620	.O-RING	1	1	1	
4	2VN-25866-00	.CIRCLIP	1	1	1	
5	4ML-2582A-50	.JOINT	1	1	1	
6	3SP-27222-00	.JOINT	1	1	1	
7	95301-08700	.NUT	2	2	2	
8	5BE-25894-00	.TANK, RESERVOIR	1	1	1	
9	5BE-25852-00	.CAP, RESERVOIR	1	1	1	
10	98706-04040	.SCREW, FLAT HEAD	2	2	2	
11	56A-25854-00	.DIAPHRAGM, RESERVOIR	1	1	1	
12	90467-12085	.CLIP	2	2	2	
13	5BE-25895-00	.HOSE, RESERVOIR	1	1	1	
14	3FV-2589A-00	.COVER, DUST	1	1	1	
15	5BE-2117M-01	COVER 2	1	1	1	
16	92014-06016	BOLT, BUTTON HEAD	2	2	2	
17	90105-06553	BOLT, WASHER BASED	1	1	1	
18	5MV-25873-00	HOSE, BRAKE 2	1	1	1	
19	90401-10172	BOLT, UNION	2	2	2	
20	90201-10118	WASHER, PLATE	3	3	3	
21	2VM-25876-00	HOLDER, BRAKE HOSE 2	2	2	2	
22	97780-50510	SCREW, TAPPING	4	4	4	
23	5BE-25844-01	WASHER, LOCK	1	1	1	

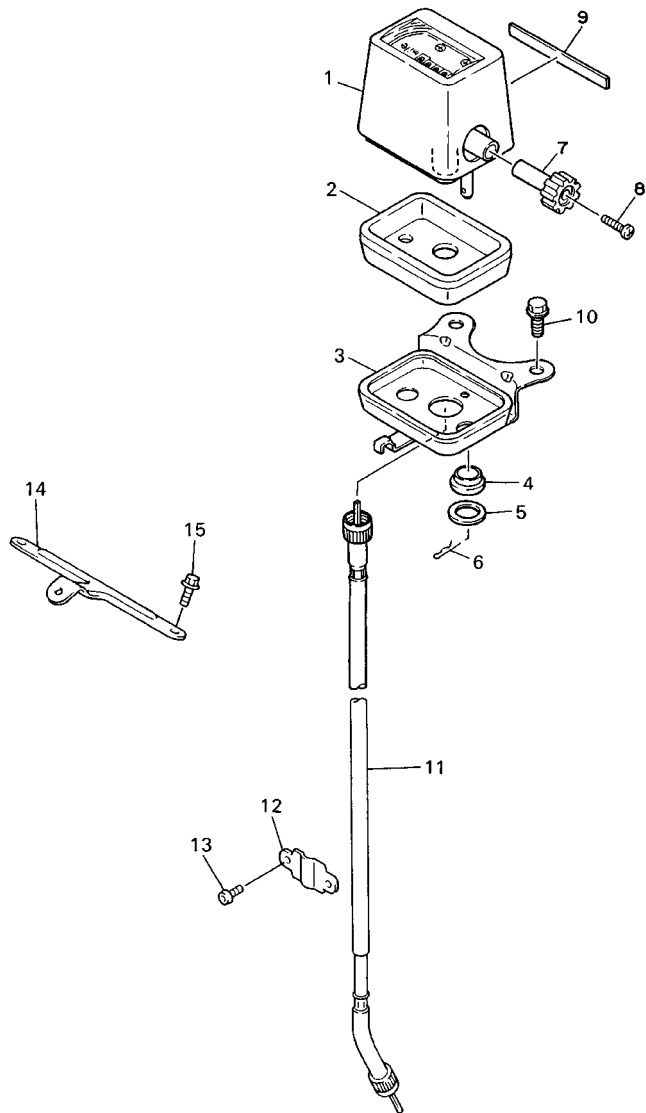
FIG. 36 GENERATOR



REF. NO.	PART NO.	DESCRIPTION	5PH1	5PH2	5PH4	REMARKS
1	5NG-85560-00	BASE ASSY	1	1	1	
2	5NG-85550-00	ROTOR ASSY	1	1	1	
3	90149-06324	SCREW	3	3	3	
4	90179-10247	NUT	1	1	1	
5	90201-101J1	WASHER, PLATE	1	1	1	


5BF100-8360

FIG. 37 METER

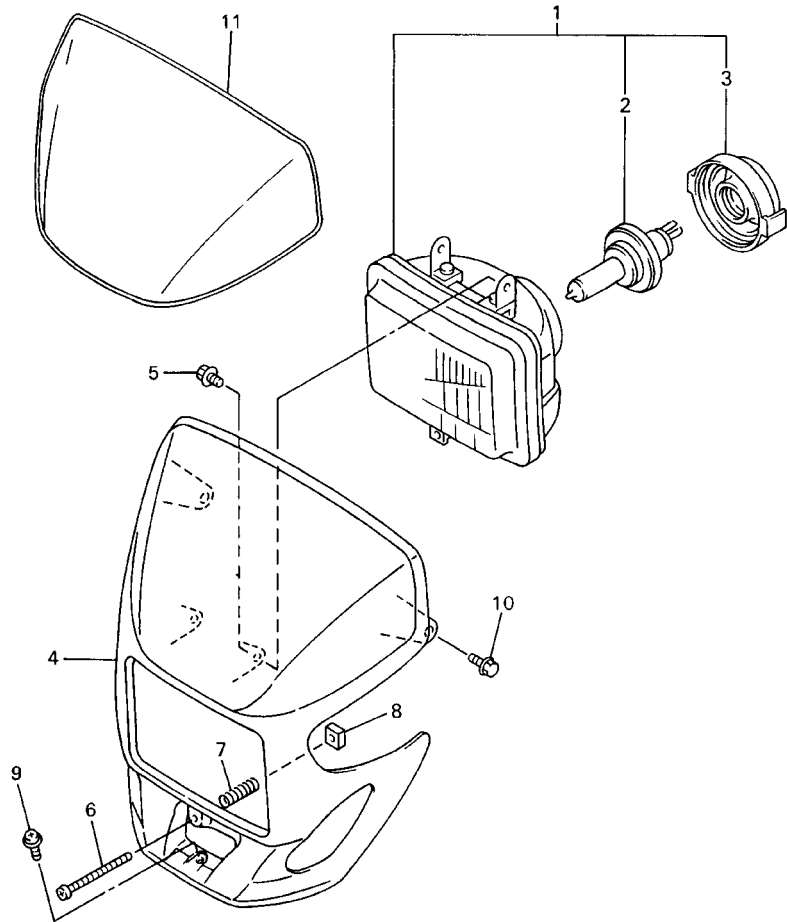


REF. NO.	PART NO.	DESCRIPTION	5PH1	5PH2	5PH4	REMARKS
1	2HR-83505-G0	TRIP METER COMP.	1	1		MILE (FOR GBR)
	2HR-83505-F0	TRIP METER COMP.		1	1	KM
2	4V5-83513-00	DAMPER	1	1	1	
3	5NG-83519-00	BRACKET, METER	1	1	1	
4	1M1-83526-00	DAMPER 2	2	2	2	
5	90201-05033	WASHER, PLATE	2	2	2	
6	437-83525-00	CLIP	2	2	2	
7	11H-83578-00	KNOB, TRIP METER	1	1	1	
8	90157-02031	SCREW, PAN HEAD	1	1	1	
9	2HR-83592-00	DAMPER	1	1	1	
10	95027-06010	BOLT, FLANGE	2	2	2	
11	5BF-83550-00	SPEEDOMETER CABLE ASSY	1	1	1	
12	5BF-2317M-00	STAY 3	1	1	1	
13	92017-05008	BOLT, BUTTON HEAD	2	2	2	
14	5BF-84319-00	STAY, HEADLIGHT 2	1	1	1	
15	95027-06010	BOLT, FLANGE	2	2	2	



5BF100-8370

FIG. 38 HEADLIGHT



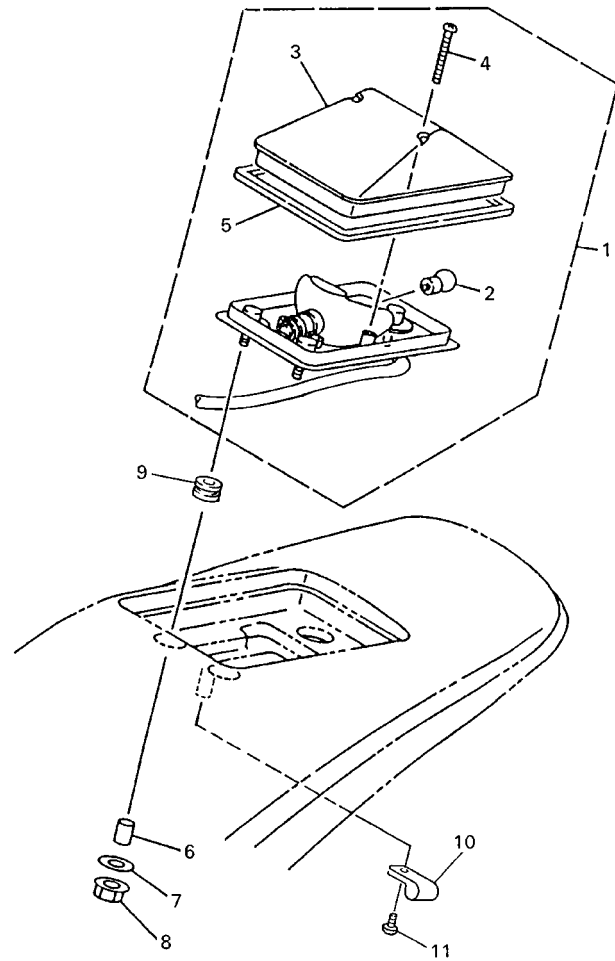
REF. NO.	PART NO.	DESCRIPTION	5PH1	5PH2	5PH4	REMARKS
1	5BF-84310-00	HEADLIGHT UNIT ASSY	1	1	1	
2	8G9-84314-00	.BULB (12V-60/55W)	1	1	1	(H4)HALOGEN
3	5BF-84397-00	.COVER, SOCKET	1	1	1	
4	5BF-84330-00	BODY ASSY	1	1	1	
5	55U-84337-00	BOLT, SPECIAL	2	2	2	
6	5BF-8433E-00	SCREW, ADJUSTING	1	1	1	
7	5BF-84335-00	SPRING	1	1	1	
8	5BF-84334-00	NUT, ADJUSTING	1	1	1	
9	90159-06189	SCREW, WITH WASHER	1	1	1	
10	95827-06010	BOLT, FLANGE	2	2	2	
11	5BF-2339E-00	GRAPHIC 1	1	1	1	



5NG1100-1380

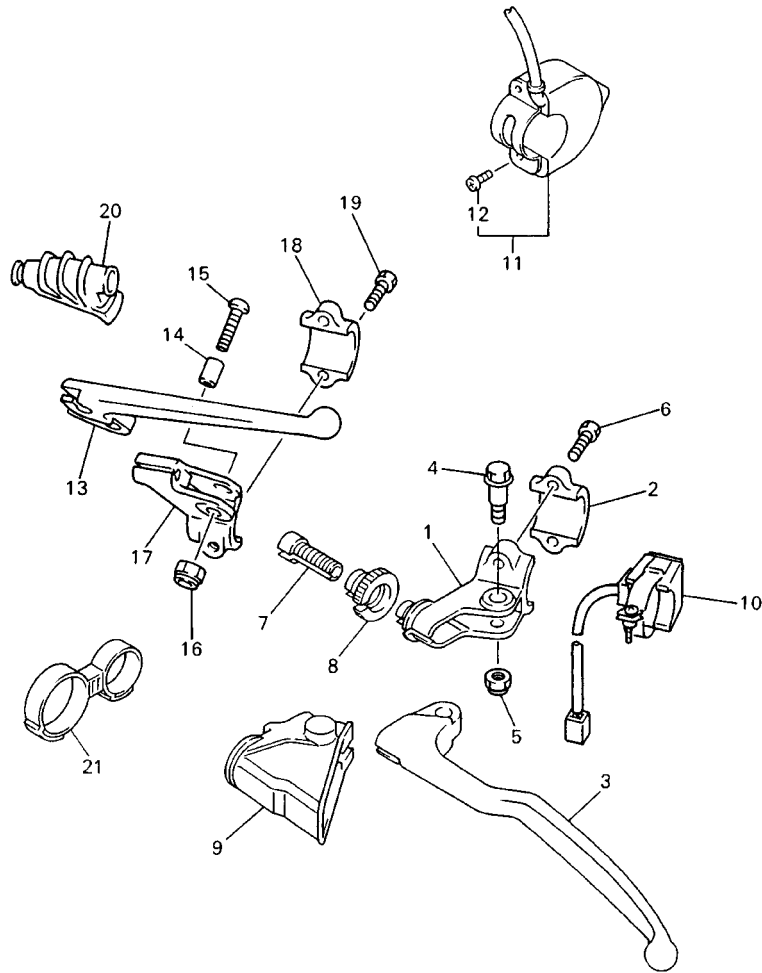
FIG. 39 TAILLIGHT

REF. NO.	PART NO.	DESCRIPTION	5PH1	5PH2	5PH4	REMARKS
1	5BF-84710-00	TAILLIGHT UNIT ASSY	1	1	1	
2	36Y-84714-40	.BULB, TAILLIGHT (12V-21/5W)	1	1	1	
3	4GY-84733-00	.LENS, TAILLIGHT	1	1	1	
4	97706-40530	.SCREW, TAPPING	2	2	2	
5	4GY-84723-00	.GASKET, TAIL LENS	1	1	1	
6	90387-065L5	COLLAR	3	3	3	
7	90201-06057	WASHER, PLATE	3	3	3	
8	95707-06500	NUT, FLANGE	3	3	3	
9	90480-14102	GROMMET	3	3	3	
10	90461-11099	CLAMP	2	2	2	
11	97780-40010	SCREW, TAPPING	2	2	2	



5BF100-8390

FIG. 40 HANDLE SWITCH. LEVER



REF. NO.	PART NO.	DESCRIPTION	5PH1	5PH2	5PH4	REMARKS
1	5HD-82911-00	HOLDER, LEVER 1	1	1	1	
2	38V-82913-00	HOLDER, LEVER LOWER 1	1	1	1	
3	5MV-83912-00	LEVER 1	1	1	1	
4	90109-06027	BOLT	1	1	1	
5	95607-06100	NUT, U	1	1	1	
6	97007-05016	BOLT	2	2	2	
7	5HD-26337-00	BOLT, ADJUSTING	1	1	1	
8	5HD-83951-00	BOLT, CABLE ADJUSTING	1	1	1	
9	5HD-26372-00	COVER, HANDLE LEVER 1	1	1	1	
10	23X-83976-00	SWITCH, HANDLE 1	1	1	1	
11	5BF-83976-00	SWITCH, HANDLE 1	1	1	1	
12	98507-04014	.SCREW, PAN HEAD	2	2	2	
13	583-83981-00	LEVER, DECOMPRESSION	1	1	1	
14	5BE-83913-00	COLLAR, LEVER 1	1	1	1	
15	98907-05020	SCREW, BIND	1	1	1	
16	95607-05100	NUT, U	1	1	1	
17	5BE-82912-00	HOLDER, LEVER UPPER 1	1	1	1	
18	38V-82913-00	HOLDER, LEVER LOWER 1	1	1	1	
19	97007-05016	BOLT	2	2	2	
20	583-26352-00	COVER, DECOMPRESSION CABLE	1	1	1	
21	90464-29223	CLAMP	1	1	1	



5NG1100-1400

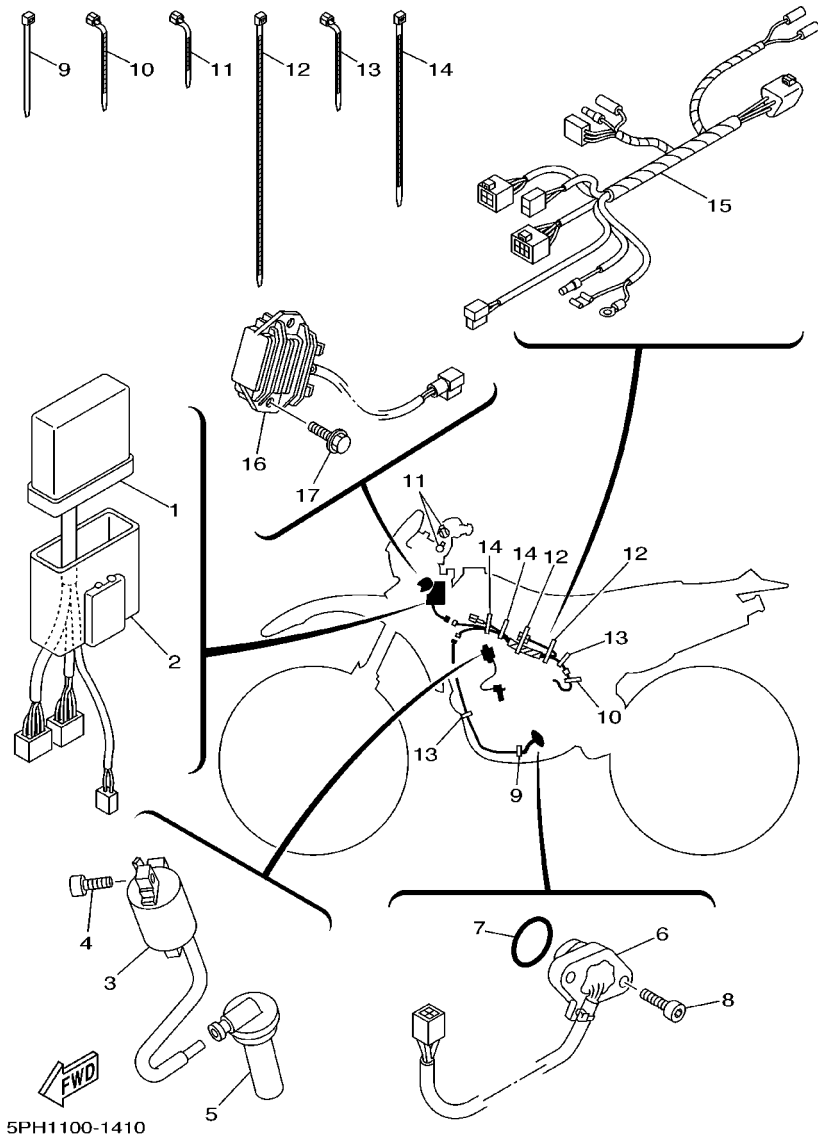
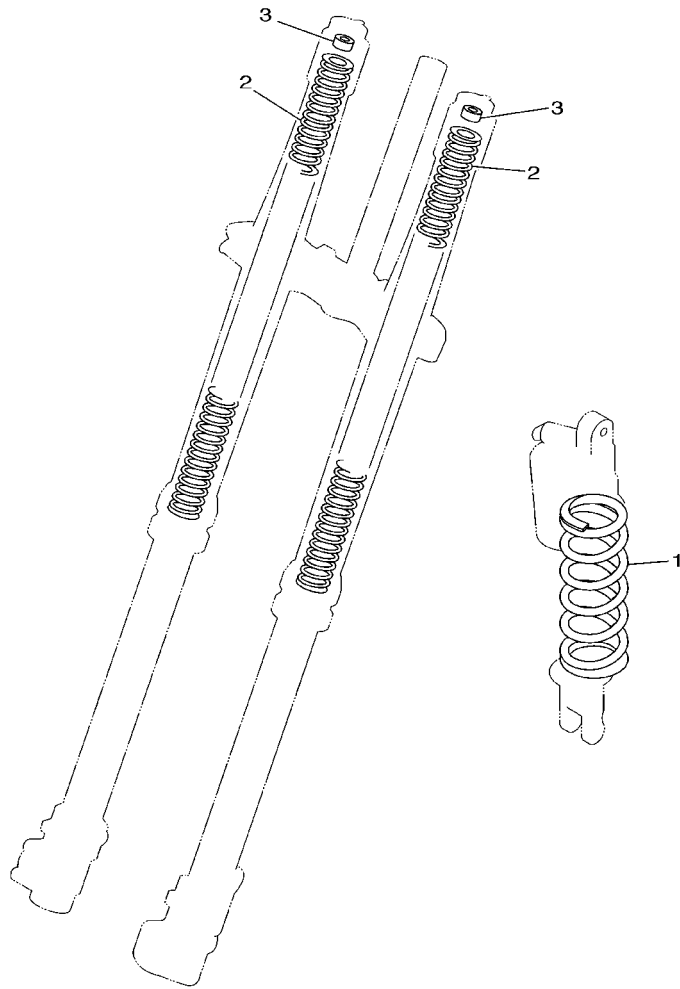


FIG. 41 ELECTRICAL 1

REF. NO.	PART NO.	DESCRIPTION	5PH1	5PH2	5PH4	REMARKS
1	5PH-85540-00	C.D.I. UNIT ASSY	1	1	1	
2	5NL-85546-00	BAND	1	1	1	
3	4SR-82310-00	IGNITION COIL ASSY	1	1	1	
4	91317-06016	BOLT	2	2	2	
5	5BE-82370-00	PLUG CAP ASSY	1	1	1	
6	5BE-82540-01	NEUTRAL SWITCH ASSY	1	1	1	
7	93210-21276	O-RING	1	1	1	
8	90154-05073	SCREW, BINDING	2	2	2	
9	90464-16061	CLAMP	1	1	1	
10	90464-13073	CLAMP	1	1	1	
11	90464-13077	CLAMP	2	2	2	
12	90464-15152	CLAMP	2	2	2	
13	90464-13073	CLAMP	2	2	2	
14	90465-13275	CLAMP	2	2	2	
15	5PH-82509-00	WIRE, SUB LEAD	1			
	5PH-82509-10	WIRE, SUB LEAD		1	1	
16	5GS-81910-50	VOLTAGE REGULATOR ASSY	1	1	1	
17	90119-06039	BOLT, WITH WASHER	2	2	2	

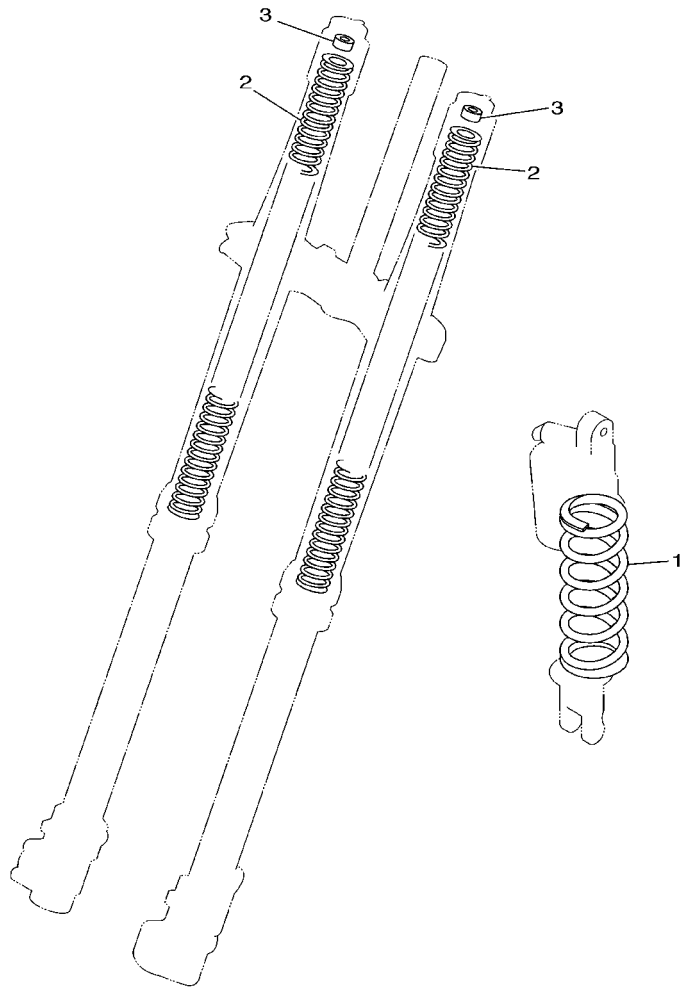
FIG. 42 ALTERNATE (CHASSIS)



REF. NO.	PART NO.	DESCRIPTION				REMARKS
			5PH1	5PH2	5PH4	
1	5DH-22212-70	SPRING (K=4.4)	1	1	1	AP
	5DH-22212-10	SPRING (K=4.6)	1	1	1	AP
	5DH-22212-20	SPRING (K=4.8)	1	1	1	AP
	5DH-22212-30	SPRING (K=5.0)	1	1	1	AP
	5DH-22212-40	SPRING (K=5.2)	1	1	1	AP
	5DH-22212-50	SPRING (K=5.4)	1	1	1	AP
	5DH-22212-60	SPRING (K=5.6)	1	1	1	AP
	5ET-22212-20	SPRING (K=APPROX.4.6)	1	1	1	AP
	5ET-22212-00	SPRING (K=APPROX.4.8)	1	1	1	AP
	5ET-22212-10	SPRING (K=APPROX.5.0)	1	1	1	AP
	5ET-22212-30	SPRING (K=APPROX.5.2)	1	1	1	AP
	5ET-22212-40	SPRING (K=APPROX.5.4)	1	1	1	AP
	5ET-22212-50	SPRING (K=APPROX.5.6)	1	1	1	AP
2	4SS-23141-10	SPRING, FRONT FORK (K=0.38)	2	2	2	AP
	4SS-23141-20	SPRING, FRONT FORK (K=0.39)	2	2	2	AP
	4SS-23141-30	SPRING, FRONT FORK (K=0.40)	2	2	2	AP
	4SS-23141-40	SPRING, FRONT FORK (K=0.41)	2	2	2	AP
	4SS-23141-50	SPRING, FRONT FORK (K=0.42)	2	2	2	AP
	4SS-23141-60	SPRING, FRONT FORK (K=0.43)	2	2	2	AP
	4SS-23141-70	SPRING, FRONT FORK (K=0.44)	2	2	2	AP
	5BE-23141-L0	SPRING, FRONT FORK (K=0.45)	2	2	2	AP
	5BE-23141-00	SPRING, FRONT FORK (K=0.46)	2	2	2	AP
	5GR-23141-00	SPRING, FRONT FORK (K=0.47)	2	2	2	AP
	5ET-23141-20	SPRING (K=APPROX.0.40)	2	2	2	AP
	5ET-23141-00	SPRING (K=APPROX.0.41)	2	2	2	AP
	5ET-23141-30	SPRING (K=APPROX.0.42)	2	2	2	AP
	5ET-23141-10	SPRING (K=APPROX.0.43)	2	2	2	AP


5NL1100-1390

FIG. 42 ALTERNATE (CHASSIS)



REF. NO.	PART NO.	DESCRIPTION	5PH1	5PH2	5PH4	REMARKS
2	5ET-23141-40	SPRING (K=APPROX.0.44)	2	2	2	AP
3	4SS-23364-L0	COLLAR 2	2	2	2	AP

FWD

5NL1100-1390

F5

NUMERICAL INDEX

PARTNO.	GRID NO.	PARTNO.	GRID NO.	PARTNO.	GRID NO.	PARTNO.	GRID NO.	PARTNO.	GRID NO.	PARTNO.	GRID NO.
5MV-W0041-00	E - 9	3GM-12126-00	B - 5	5NL-12459-00	B - 8	5JG-14379-00	C - 4	5NL-14916-E1	B - 15	4MX-14943-39	C - 2
4SS-W0042-50	E - 11	3FV-12153-00	B - 6	5PH-12461-00	B - 9	5JG-14388-00	B - 15	5NL-14916-GL	B - 15	4MX-14943-40	C - 2
5MV-W0045-00	E - 4	3FV-12153-10	B - 6	5HD-12462-00	B - 9	5JG-1440F-01	B - 13	5NL-14916-GM	B - 15	4MX-14943-41	C - 2
5GR-W0046-00	E - 7	3FV-12153-20	B - 6	5NL-12481-00	B - 9	5JG-14401-00	B - 13	5NL-14916-GN	B - 15	4MX-14943-42	C - 2
3JD-W0047-00	E - 4	3FV-12153-30	B - 6	5NL-12564-00	C - 8	5BE-1441A-10	B - 14	5NL-14916-GP	B - 15	4MX-14943-43	C - 2
5ET-W0047-50	E - 7	3LN-12153-00	B - 6	5NL-12576-00	B - 9	5BF-1441A-10	B - 13	5NL-14916-GR	B - 15	4MX-14943-44	C - 2
1UY-W0048-50	E - 4	3LN-12153-10	B - 6	5NL-12577-00	B - 9	5BE-1441E-10	B - 14	5NL-14916-GS	C - 2	4MX-14943-90	C - 2
	E - 7	3LN-12153-20	B - 6	5PH-12577-00	B - 9	5JG-14417-00	B - 14	5NL-14916-G1	B - 15	4MX-14943-91	C - 2
4EW-W0057-00	E - 4	3LN-12153-30	B - 6	5NL-12578-00	B - 9	5JG-14428-00	B - 13	5NL-14916-HL	C - 2	4MX-14943-92	C - 2
5ET-W0057-50	E - 7	1HX-12168-A0	B - 5	5NL-12579-00	B - 9	5BF-1443E-00	B - 14	5NL-14916-HM	C - 2	4MX-14943-93	C - 2
5MV-W2587-00	E - 9	1HX-12168-F0	B - 5	583-13113-00	B - 12	5BF-14437-00	B - 13	5NL-14916-HN	C - 2	4MX-14943-94	C - 2
5NL-11102-00	B - 2	1HX-12168-H1	B - 5	5NL-13161-00	B - 12	5BE-14449-00	C - 4	5NL-14916-HP	C - 2	7A9-14943-17	C - 3
4KG-1111G-00	B - 3	1HX-12168-K1	B - 5	5NL-13171-00	B - 12	4XM-14451-00	B - 13	5NL-14916-HR	C - 2	5JG-14947-00	C - 2
5NL-11133-10	B - 2	1HX-12168-M1	B - 5	5NL-13300-00	B - 10	5BF-14452-00	B - 13	5NL-14916-HS	C - 2	4MX-14948-01	C - 2
5NL-11134-10	B - 2	1HX-12168-R1	B - 5	5NL-13320-00	B - 10	5JG-14453-00	B - 13	5NL-14916-H1	C - 2	4MX-14948-02	C - 3
5BE-11166-00	B - 2	1HX-12168-U1	B - 5	5NL-13341-00	B - 10	5BF-14457-00	B - 13	5JG-14922-00	C - 4	4MX-14948-03	C - 3
371-11167-01	B - 2	1HX-12168-W1	B - 5	5BE-13342-00	B - 10	5BE-14458-00	B - 13	3TJ-14933-40	C - 4	4MX-14948-04	C - 2
5BE-11167-00	B - 2	1HX-12168-Y1	B - 5	5NL-13411-00	B - 10	3JD-14459-01	B - 13	5GS-14933-00	C - 5	4MX-14948-05	C - 3
5NL-11181-00	B - 2	1HX-12168-00	B - 5	5NL-13412-00	B - 10	5MV-14477-00	B - 13	4FN-14934-00	C - 4	4MX-14948-06	C - 3
5NL-11191-00	B - 2	1HX-12168-20	B - 5	5NL-13416-00	B - 10	5BF-14493-00	B - 13	3TJ-1494F-12	C - 3	4MX-14948-07	C - 3
5NL-11193-00	B - 3	1HX-12168-40	B - 5	1UY-13440-02	B - 12	5JG-14521-00	C - 2	3TJ-1494F-13	C - 3	5JG-14951-00	B - 15
5NL-11311-00	B - 3	1HX-12168-60	B - 5	5BE-13447-00	B - 12	5JG-14522-00	B - 15	3TJ-1494F-14	C - 3	5GS-14958-00	C - 5
5NL-11351-00	B - 3	1HX-12168-80	B - 5	5NL-13464-00	B - 10	5JG-14531-00	C - 4	3TJ-1494F-15	C - 3	5JG-14959-00	B - 15
5JG-11387-00	B - 3	1HX-12169-E0	B - 6	5NL-13465-00	B - 10	3TJ-14536-40	C - 3	3TJ-1494F-16	C - 3	5JG-14984-00	C - 3
5NL-11400-10	B - 4	1HX-12169-G0	B - 6	5NL-13597-00	B - 13	5JG-14546-01	B - 15	3TJ-1494F-17	C - 3	4SR-14985-00	C - 3
5NL-11412-00	B - 4	1HX-12169-J0	B - 6	5PH-14101-00	B - 15	676-14548-00	C - 3	3TJ-1494F-18	C - 3	5JG-14987-00	C - 4
5NL-11422-00	B - 4	1HX-12169-L0	B - 6	5PH-14101-10	B - 15	4YR-14557-00	C - 4	3TJ-1494F-19	C - 3	4FN-14997-00	B - 15
5NL-11454-00	B - 4	1HX-12169-N0	B - 6	5PH-14101-20	B - 15	4FN-14561-00	B - 13	3TJ-1494F-20	C - 3	5NL-15150-00	C - 7
5NL-11455-00	B - 4	1HX-12169-T0	B - 6	5NL-14105-00	C - 3	4MX-14561-00	C - 4	4JT-1494F-01	C - 5	5NL-15362-00	D - 3
5NL-11531-00	B - 4	1HX-12169-11	B - 6	5BE-14107-00	C - 3	6H4-14561-00	C - 4	4JT-1494F-03	C - 5	4JT-15381-01	C - 7
5NL-11536-00	B - 4	1HX-12169-31	B - 6	4MX-14115-00	C - 4	5BE-14562-00	C - 4	4JT-1494F-07	C - 5	5BE-15383-01	C - 7
5NL-11603-00	B - 4	1HX-12169-50	B - 6	3TJ-14137-40	C - 4	5JG-14565-00	C - 4	4JT-1494F-11	C - 4	5NL-15388-00	C - 7
5NL-11631-00	B - 4	1HX-12169-70	B - 6	5BE-14146-00	C - 4	5GS-14591-00	C - 4	4JT-1494F-15	C - 5	5NL-15411-00	C - 8
5NL-11633-00	B - 4	1HX-12169-90	B - 6	3TJ-14159-40	C - 2	5NL-14591-00	C - 4	4JT-1494F-17	C - 5	5NL-15415-00	C - 8
5NL-11651-10	B - 4	5PH-12170-00	B - 7	5NG-14169-00	B - 13	5NL-14611-00	C - 6	4JT-1494F-19	C - 5	5BE-15421-00	C - 7
5NL-11681-00	B - 4	5PH-12180-00	B - 7	5JG-14171-00	C - 4	5NL-14613-00	C - 6	4JT-1494F-21	C - 5	5NL-15431-00	C - 8
5NL-12111-00	B - 5	5BE-12210-00	B - 7	5NL-14196-00	C - 4	5NL-14628-00	C - 6	4JT-1494F-23	C - 5	5NL-15441-01	C - 7
5NL-12112-00	B - 5	4FM-12213-00	B - 7	5JG-14197-00	C - 4	5PH-14710-00	C - 6	4JT-1494F-25	C - 5	5NL-15451-00	C - 8
5NL-12113-00	B - 5	5BE-12241-00	B - 7	4YR-14216-00	C - 4	5PH-14710-10	C - 6	4JT-1494F-28	C - 5	5NL-15453-00	C - 8
5NL-12114-00	B - 5	5NL-12251-00	B - 7	5BE-14216-00	C - 3	5PH-14714-00	C - 6	4JT-1494F-30	C - 5	5NL-15462-00	C - 8
5NL-12116-00	B - 5	5NL-12252-00	B - 7	5JG-14264-00	C - 2	4BD-14766-00	C - 6	4JT-1494F-32	C - 5	5NL-15601-00	C - 9
1HX-12117-00	B - 5	5BE-12280-10	B - 7	3TJ-14267-40	B - 15	5BE-14788-00	C - 6	4JT-1494F-34	C - 5	5NL-15620-00	C - 9
1WG-12117-00	B - 5	5NL-12283-00	B - 7	5NL-14275-00	C - 2	5NL-14916-EL	B - 15	5GS-14940-00	C - 5	5NL-15621-00	C - 9
1HX-12118-00	B - 5	5BE-12292-10	B - 7	3TJ-14293-40	C - 3	5NL-14916-EM	B - 15	5JG-14940-06	C - 3	5NL-15641-00	C - 9
1WG-12118-00	B - 5	5PH-1240A-00	B - 9	5JG-14293-01	B - 13	5NL-14916-EN	B - 15	5JG-14940-07	C - 3	5NL-15651-00	C - 9
4SV-12119-00	B - 5	5NL-12422-00	B - 8	3TJ-14325-40	C - 4	5NL-14916-EP	B - 15	5JG-14940-08	C - 3	5NL-15664-00	C - 9
4TV-12119-00	B - 5	5NL-12439-00	B - 8	5JG-14346-00	C - 4	5NL-14916-ER	B - 15	5JG-14940-75	C - 3	2NX-15668-00	C - 9
5NL-12121-00	B - 5	5DH-12451-00	B - 8	5JG-14371-00	C - 4	5NL-14916-ES	B - 15	3TJ-14943-47	C - 2	4GY-15671-00	C - 9

NUMERICAL INDEX

PARTNO.	GRID NO.	PARTNO.	GRID NO.	PARTNO.	GRID NO.	PARTNO.	GRID NO.	PARTNO.	GRID NO.	PARTNO.	GRID NO.
214-15674-00	C - 9	5NG-21190-00-P0	D - 2	4XM-22199-00	D - 7	5DH-23120-L0	D - 11	5PH-2316A-10	D - 12	4DA-25104-00	E - 3
214-15686-00	C - 9	5NG-21338-00	D - 3	5PH-22201-00	D - 9	5ET-23125-L0	D - 11	5PH-2316A-40	D - 12	5BF-25111-01	E - 3
5NL-16111-00	C - 10	5HD-2135F-00	D - 8	5PH-22201-10	D - 9		D - 12		D - 12	5DH-25117-00	E - 3
5NL-16150-00	C - 10	5NL-21417-00	D - 3	5PH-22201-40	D - 9	5HD-23136-L0	D - 11	5BF-2317M-00	E - 13	5BE-25181-00	E - 3
5NL-16154-00	C - 10	5NL-21417-10	D - 3	5PH-22210-00	D - 9		D - 12	5NG-23170-10	D - 11	5DH-25183-00	E - 3
3XJ-16321-00	C - 10	5NL-21425-00	D - 2	5PH-22210-10	D - 9	5DH-2314E-00	E - 4		D - 12	5BF-25190-01	E - 3
5DH-16321-00	C - 10	5NL-21425-10	D - 2	5PH-22210-30	D - 9	5DH-2314F-L0	D - 13	5ET-23171-L0	D - 11	5GS-25304-00	E - 5
5NL-16325-00	C - 10	5GS-21458-50	E - 10	5PH-22210-40	D - 9	4SS-2314G-L0	D - 13		D - 12	5ET-25311-00	E - 5
5NL-16325-10	C - 10	5NG-2147A-10	D - 3	5DH-22212-10	F - 4	5DH-2314H-00	D - 13	5DH-23183-00	D - 9	5ET-25317-00	E - 5
5HD-16351-00	C - 10	5NL-2147A-00	D - 3	5DH-22212-20	D - 9	5BF-2314J-00	D - 13	509-23184-L0	D - 9	4XM-25364-00	E - 5
5NL-16356-00	C - 10	5NL-21471-00	D - 3		F - 4	4SR-23141-L0	D - 11	5DH-23195-L0	D - 11	5ET-25367-00	E - 6
5NL-16357-00	C - 10	5PH-21481-00	D - 3	5DH-22212-30	F - 4		D - 12		D - 12	5ET-25381-00	E - 6
5NL-16371-00	C - 10	5HD-21511-00	D - 4	5DH-22212-40	F - 4	4SS-23141-10	F - 4	5HC-2331E-00	D - 13	5ET-25383-00	E - 6
5JG-16381-00	C - 10	4XL-2153A-10	D - 13	5DH-22212-50	F - 4	4SS-23141-20	F - 4	5PH-23340-00	D - 13	5ET-25388-00	E - 6
5NL-16383-00	C - 10	4ES-2153E-01	D - 4	5DH-22212-60	F - 4	4SS-23141-30	F - 4	4SS-23346-L0	D - 13	5ET-25389-00	E - 6
4JT-16384-00	C - 10	3FY-21575-01	D - 5	5DH-22212-70	F - 4	4SS-23141-40	F - 4	5MV-23346-L0	D - 13	2J5-25394-01	E - 3
5NL-16384-00	C - 10	5BF-21611-00	D - 4	5ET-22212-00	F - 4	4SS-23141-50	F - 4	3SP-23356-L0	D - 13	4XM-25394-00	E - 5
5NL-17121-00	C - 12	5PH-2163G-00	D - 4	5ET-22212-10	F - 4	4SS-23141-60	F - 4	4SS-23364-L0	F - 5	5GS-25448-50	E - 5
5PH-17131-00	C - 12	5BE-21642-00	D - 4	5ET-22212-20	F - 4	4SS-23141-70	F - 4	4DA-23389-00	D - 10	5GS-25450-50	E - 5
5PH-17141-00	C - 12	5BF-21711-00	D - 5	5ET-22212-30	F - 4	4XM-23141-L0	D - 11	4GY-23389-00	D - 10	5GS-25452-50	E - 5
5PH-17151-00	C - 12	5PH-2172A-00	D - 5	5ET-22212-40	F - 4		D - 12	5BF-2339E-00	E - 14	5PH-25454-50	E - 5
5PH-17211-00	C - 12	5BF-21721-00	D - 5	5ET-22212-50	F - 4	5BE-23141-L0	F - 4	5HD-23393-L0	D - 11	8CR-25715-00	E - 9
5NL-17221-00	C - 12	5JG-2173E-50	D - 5	3SP-22213-00	D - 9	5BE-23141-00	F - 4		D - 12	5DH-25718-01	E - 7
5PH-17231-00	C - 12	5JG-2173F-50	D - 5	5DH-22214-00	D - 9	5ET-23141-00	F - 4	4EW-23416-00	D - 10	5MV-2580T-10	E - 4
5PH-17241-00	C - 12	5JG-21731-01	D - 5	5MV-22224-00	D - 9	5ET-23141-10	F - 4	5PH-23435-00	D - 10	5GR-2580W-00	E - 7
5PH-17251-00	C - 12	5NL-21731-00	D - 5	4JX-22226-00	D - 9	5ET-23141-20	F - 4	3SP-23441-00	D - 10	5MV-2581T-00	E - 4
5PH-17411-00	C - 12	5BF-2174A-00	D - 5	3SP-22234-00	D - 9	5ET-23141-30	F - 4	5GS-24110-00	D - 14	4ML-2582A-50	E - 11
5NL-17421-00	C - 12	5JG-21741-01	D - 5	5DH-22253-00	D - 9	5ET-23141-40	F - 5	5JG-24110-50	D - 14	5DH-2582W-00	E - 7
5NL-17466-00	C - 7	5NL-21741-00	D - 5	5MV-22253-00	D - 9	5GR-23141-00	F - 4	4EW-2412F-00	D - 14	5DH-25827-50	E - 7
5NL-17471-00	C - 13	3JD-21748-00	D - 4	5ET-22355-00	D - 7	5NL-23141-00	D - 11	24X-24144-00	D - 14	5DH-25828-50	E - 7
5NL-18101-00	C - 15	5MV-2175C-00	D - 5	3V6-22358-00	D - 15		D - 12	3SP-24173-00	D - 14	5JG-2583V-00	E - 11
5NL-18110-00	C - 15	5BE-21756-00	D - 2	4EW-22474-00	D - 9	5DH-23142-L0	D - 11	22W-24181-00	C - 6	5MV-25833-00	E - 9
5LP-18122-00	C - 15	5JG-21781-50	D - 5	3JE-22475-00	D - 9		D - 12	4SS-24181-00	D - 14	5BE-25844-01	E - 11
3XK-18140-00	C - 14	5BF-21823-00	D - 6	5MV-22475-00	D - 9	5HD-23144-L0	D - 11	5BE-24182-00	D - 15	5BE-25852-00	E - 11
5BE-18172-00	C - 15	5GS-21871-00	D - 5	5GR-22898-50	E - 7		D - 12	3JD-24186-00	D - 14	5MV-25852-00	E - 9
3XJ-18173-00	C - 15	26H-21874-00	D - 5	5PH-23102-00	D - 11	5ET-23145-L0	D - 11	5JG-24240-50	D - 15	56A-25854-00	E - 11
3XJ-18178-00	C - 15	26H-21875-00	D - 5	5PH-23102-10	D - 11		D - 12	5NG-24240-00	D - 15		E - 9
3XJ-18182-00	C - 15	5MV-22110-00	D - 7	5PH-23102-40	D - 11	4SS-23146-L0	D - 11	3XJ-24380-00	D - 14	2VN-25866-00	E - 11
3XJ-18184-00	C - 15	4XM-22128-00	D - 7	5PH-23103-00	D - 12		D - 12	2GU-24500-01	D - 14	5MV-25867-00	E - 9
4EW-18185-00	C - 15	5DH-22141-00	D - 7	5PH-23103-10	D - 12	5DH-23149-L0	D - 11	4X8-24512-00	D - 14	5G2-25868-00	E - 9
5NL-18501-00	C - 14	5MV-22151-00	D - 7	5PH-23103-40	D - 12		D - 12	3AJ-24523-00	D - 14	5PH-25872-00	E - 9
5NL-18502-00	C - 14	5JG-22156-00	D - 7	5BF-23110-L0	D - 12	4SS-23153-L0	D - 11	3AJ-24534-00	D - 14	5MV-25873-00	E - 11
5NL-18503-00	C - 14	5ET-2217A-00	D - 7	5MV-23111-L0	D - 11		D - 12	5MV-24610-00	D - 14	5DH-25875-00	E - 4
5NL-18541-00	C - 14	5DH-2217F-01	D - 8		D - 12	4SS-23158-L0	D - 11	5JG-24710-50	E - 2	2VM-25876-00	E - 11
4BA-18542-00	C - 14	5MV-22176-00	D - 9	5DH-23118-L0	D - 11		D - 12	5NG-24710-00	E - 2	3FV-2589A-00	E - 11
5DH-18562-00	C - 7	3JD-22178-10	D - 2		D - 12	5PH-2316A-00	D - 11	5BE-24728-00	E - 2	5MV-2589F-00	E - 9
5PH-21101-00-P0	D - 2	4EW-22178-00	D - 2	3JD-2312G-L0	D - 11		D - 12	5JG-24731-50	E - 2	5BE-25894-00	E - 11
5BE-2117M-01	E - 11	5MV-22184-00	D - 9		D - 12	5PH-2316A-10	D - 11	5NG-24731-00	E - 2	5BE-25895-00	E - 11

NUMERICAL INDEX

PARTNO.	GRID NO.	PARTNO.	GRID NO.	PARTNO.	GRID NO.	PARTNO.	GRID NO.	PARTNO.	GRID NO.	PARTNO.	GRID NO.
5DH-25916-00	E - 4	11H-83578-00	E - 13	90109-063F8	C - 14	90185-08169	E - 5	90280-03001	B - 4	90464-13073	D - 6
	E - 7	2HR-83592-00	E - 13	90109-06418	B - 7	90185-14112	D - 8	90338-16148	D - 7		F - 3
5DH-25919-00	E - 4	5MV-83912-00	F - 2	90109-065G2	B - 12	90185-16127	D - 7	90340-12112	B - 2	90464-13077	D - 6
5DH-25919-50	E - 7	5BE-83913-00	F - 2	90109-065G4	E - 7	90185-20168	E - 6	90340-14128	C - 8		F - 3
8CR-25924-00	E - 7	5MV-83922-00	E - 9	90109-066F0	B - 3	90201-03313	B - 14	90340-32123	C - 8	90464-15152	F - 3
5DH-25933-00	E - 4	5HD-83951-00	F - 2	90109-081G1	E - 5	90201-05033	E - 13	90387-06004	B - 9	90464-16039	D - 6
4XM-26111-00	E - 8	23X-83976-00	F - 2	90109-082G0	C - 9	90201-06057	E - 15	90387-06009	D - 4	90464-16061	F - 3
5BE-26240-00	E - 8	5BF-83976-00	F - 2	90109-142F4	D - 8	90201-06071	B - 9	90387-0614M	B - 9	90464-29223	F - 2
4GY-26241-00	E - 8	583-83981-00	F - 2	90109-147F2	D - 8	90201-06557	D - 4	90387-065L5	E - 15	90465-08029	C - 8
4GY-26242-00	E - 8	5BF-84310-00	E - 14	90110-08096	D - 2	90201-080H1	C - 10	90387-0701A	D - 4	90465-10013	C - 7
3Y1-26249-00	E - 8	8G9-84314-00	E - 14	90116-06541	B - 2	90201-08089	E - 10	90387-086N4	D - 2	90465-13275	F - 3
5BE-26281-00	E - 8	5BF-84319-00	E - 13	90119-05071	D - 10	90201-08091	C - 9	90387-1003G	E - 10	90465-16258	E - 9
5BE-26282-00	E - 8	5BF-8433E-00	E - 14	90119-06001	D - 3	90201-08326	E - 5	90387-124F4	C - 15	90467-08017	D - 6
5JG-26302-50	E - 8	5BF-84330-00	E - 14	90119-06038	D - 4	90201-08410	C - 4	90387-16005	D - 7	90467-09006	B - 9
5JG-26335-00	E - 8	5BF-84334-00	E - 14	90119-06039	F - 3	90201-08512	B - 8	90387-16007	D - 7	90467-10008	D - 14
5HD-26337-00	F - 2	5BF-84335-00	E - 14	90119-06060	D - 6	90201-086P8	D - 2	90387-167Y9	D - 7	90467-11106	B - 3
5HD-26342-00	E - 8	55U-84337-00	E - 14	90119-06096	D - 4	90201-096J9	B - 2	90387-1712Y	C - 7	90467-12085	E - 11
583-26352-00	F - 2	5BF-84397-00	E - 14	90119-06214	D - 14	90201-101J1	E - 12	90387-1714R	D - 7	90467-14015	B - 2
5HD-26372-00	F - 2	5BF-84710-00	E - 15	90119-08238	D - 5	90201-10118	E - 11	90387-1714S	D - 7	90467-17089	B - 14
5MV-26372-00	E - 9	36Y-84714-40	E - 15	90122-06035	B - 13		E - 9	90387-20006	C - 12	90468-16191	E - 10
4XM-27200-00	E - 10	4GY-84723-00	E - 15	90146-06014	B - 13	90201-10119	E - 10	90387-22001	C - 12	90480-14102	E - 15
5JG-27217-00	E - 10	4GY-84733-00	E - 15	90149-06011	D - 14	90201-112U6	D - 9	90387-225N2	E - 8	90480-14323	D - 4
3SP-27222-00	E - 11	5PH-85540-00	F - 3	90149-06126	C - 7		E - 10	90401-08038	B - 12	90480-15528	B - 9
5BF-27311-00	E - 10	5NL-85546-00	F - 3	90149-06250	B - 4	90201-12166	B - 10	90401-10159	B - 12	90480-17218	D - 2
5GS-27315-50	E - 10	5NG-85550-00	E - 12	90149-06324	E - 12	90201-14740	D - 8	90401-10172	E - 11	90480-18549	D - 14
5ET-27411-00	E - 10	5NG-85560-00	E - 12	90149-06326	C - 7	90201-15701	C - 8		E - 9	90501-043E0	B - 12
5ET-27421-00	E - 10	5JG-85885-00	C - 4	90149-06327	E - 4	90201-162H4	C - 9	90430-06014	B - 2	90501-052G5	C - 15
4GY-27491-00	E - 7	9Y581-76113	E - 6	90151-04048	D - 7	90201-164H4	D - 7		B - 7	90501-06022	C - 14
5BE-2814F-00	D - 3	90101-06001	C - 9	90152-06010	C - 9		D - 8		B - 8	90501-12081	C - 9
5ET-28166-00	D - 3	90101-06664	C - 15	90154-05073	F - 3	90201-167P7	C - 9	90430-08119	B - 12	90501-16107	C - 9
4GY-2831V-00	D - 10	90101-08777	E - 6	90157-02031	E - 13	90201-177G4	C - 9		D - 2	90501-22001	C - 10
4GY-2832V-00	D - 10	90101-10738	E - 10	90159-06078	D - 5	90201-203U1	E - 6	90430-10188	B - 12	90506-16500	E - 10
5GS-81910-50	F - 3	90105-05361	D - 10	90159-06092	C - 10	90201-20685	C - 9		C - 7	90506-35473	E - 10
4SR-82310-00	F - 3	90105-065A1	C - 8	90159-06182	D - 5	90201-247L2	D - 10	90430-18130	D - 2	90508-142B5	C - 11
5BE-82370-00	F - 3	90105-06553	C - 13	90159-06189	E - 14	90201-286K9	D - 10	90445-09109	D - 14	90508-162B2	B - 7
5PH-82509-00	F - 3		C - 7	90170-14171	B - 4	90202-05193	D - 14	90445-09220	D - 14	90508-26561	C - 14
5PH-82509-10	F - 3		D - 4	90170-16326	C - 10	90202-08045	B - 15	90445-09251	D - 14	90508-282B8	E - 10
5BE-82540-01	F - 3		E - 11	90170-24373	D - 10	90206-06090	C - 6	90445-11002	D - 14	90508-282B9	E - 10
5HD-82911-00	F - 2	90105-06690	D - 4	90179-06568	D - 7	90209-06096	B - 13	90445-112K0	B - 3	90508-291A8	C - 15
5BE-82912-00	F - 2	90105-067A6	B - 2	90179-08299	E - 6	90209-20008	C - 12	90445-114K9	D - 14	90508-30743	C - 9
38V-82913-00	F - 2	90105-08099	D - 2	90179-10247	E - 12	90209-23012	C - 12	90450-22017	B - 10	91A20-05130	D - 6
2HR-83505-F0	E - 13	90105-08659	E - 4	90179-16672	E - 3	90215-14204	B - 4		B - 9	91A21-05105	D - 6
2HR-83505-G0	E - 13	90105-09002	B - 2	90179-18001	C - 10	90215-16289	C - 10	90450-25037	B - 9	91314-06030	B - 10
4V5-83513-00	E - 13	90105-09555	B - 2		C - 13	90215-20003	C - 10	90450-32015	B - 9	91316-04008	B - 15
5NG-83519-00	E - 13	90105-10323	D - 9	90179-28650	D - 10		C - 12	90450-54093	B - 13	91316-04012	B - 15
437-83525-00	E - 13	90105-105A2	D - 9	90183-06023	B - 14	90240-08120	E - 10	90450-57092	B - 13	91317-05008	D - 7
1M1-83526-00	E - 13	90105-10733	D - 2		D - 4	90240-10142	E - 10	90450-61001	B - 13	91317-05014	B - 13
5BF-83550-00	E - 13	90109-06027	F - 2	90185-08169	D - 2	90267-32070	B - 13	90461-11099	E - 15	91317-06014	E - 9

NUMERICAL INDEX

PARTNO.	GRID NO.	PARTNO.	GRID NO.	PARTNO.	GRID NO.	PARTNO.	GRID NO.	PARTNO.	GRID NO.	PARTNO.	GRID NO.
91317-06016	F - 3	93210-42263	D - 11	94211-18176	E - 5	95027-10016	C - 7	99009-16400	C - 9		
91317-06025	B - 10		D - 12	94212-18188	E - 5	95027-10020	E - 10	99009-17400	C - 9		
91317-06045	C - 7	93210-47675	B - 12	94227-21101	E - 3	95301-08700	E - 11	99009-22500	C - 8		
91317-06055	C - 7	93300-60804	D - 2	94309-18146	E - 5	95607-05100	B - 13	99009-45500	E - 5		
91317-06070	C - 7	93306-00105	B - 8	94309-21161	E - 3		F - 2	99244-00200	D - 8		
91317-08020	C - 6	93306-00317	C - 12	94380-18141	E - 5	95607-06100	F - 2	99530-08012	B - 10		
91401-20012	E - 10	93306-00320	C - 12	94416-21002	E - 3	95607-10200	D - 2	99530-08016	C - 8		
91401-25015	E - 10	93306-07202	E - 5	94418-18005	E - 5		D - 9	99530-10114	B - 10		
91808-16023	B - 2	93306-20335	B - 4	94591-53114	B - 7	95617-08620	B - 2		C - 7		
91812-16001	C - 8	93306-20447	C - 12	94681-76021	E - 6	95617-10100	E - 10	99530-10116	C - 7		
92014-06016	E - 11	93306-20648	B - 4	94701-00318	B - 2	95617-14100	D - 8				
92017-05008	E - 13	93306-27205	E - 5	94701-00319	B - 2	95701-06500	E - 9				
92017-08055	D - 2	93306-27208	C - 12	94701-00329	B - 2	95704-06500	B - 3				
92907-06100	E - 2	93306-90403	E - 3	94701-00330	B - 2	95707-06500	E - 15				
92907-06600	B - 7	93306-90501	C - 14	95024-06020	B - 10	95707-08500	B - 2				
92907-08200	E - 4	93310-63003	B - 4	95027-06010	C - 11		D - 2				
92990-10200	E - 10	93311-32261	B - 4		D - 7	95804-06010	C - 6				
93101-14164	C - 8	93315-11206	C - 10		E - 13	95804-06016	C - 6				
93102-12106	B - 8	93315-32056	D - 7	95027-06012	B - 12	95817-08014	C - 6				
93102-12224	B - 7		D - 8		B - 14	95817-08016	D - 3				
	C - 10	93317-22262	D - 7		B - 2	95817-10050	D - 2				
	C - 15	93332-00068	D - 10		B - 8	95817-10130	D - 2				
93102-18278	C - 9	93332-00081	D - 10		B - 9	95827-06010	B - 9				
93102-26468	E - 3	93340-21008	C - 10		D - 3		E - 14				
93102-28008	C - 12	93342-22217	D - 7		E - 7	95827-06012	E - 4				
93106-22019	D - 7	93410-20038	C - 9	95027-06016	D - 14	95827-06014	B - 7				
93106-30044	E - 5	93410-22039	C - 12		E - 7	95827-06016	D - 5				
93106-30045	E - 5	93410-26067	C - 12	95027-06020	C - 15	95827-08012	D - 2				
93109-11073	B - 8	93420-16086	B - 4	95027-06025	B - 10	97007-05016	F - 2				
93109-20076	D - 7	93440-07149	B - 2		B - 11	97007-06012	E - 2				
	D - 8	93440-07182	B - 8		B - 12	97027-06016	B - 7				
	D - 7		C - 10		B - 7	97706-40530	E - 15				
93210-07003	B - 12	93440-10153	B - 10		B - 8	97707-50012	B - 13				
93210-07135	B - 12		B - 2		B - 9	97707-60016	D - 4				
93210-09008	B - 12	93440-41178	B - 7		C - 8	97780-40010	E - 15				
93210-10197	B - 10	93503-08007	B - 12	95027-06030	B - 9	97780-50510	E - 11				
	C - 7	93507-32009	C - 9	95027-06035	B - 3	97801-03008	D - 14				
	E - 10	93511-32027	C - 10		C - 8	98507-04014	F - 2				
93210-11073	B - 12	93603-16219	B - 10	95027-06050	D - 7	98507-05020	E - 8				
93210-12759	C - 8	93604-10011	B - 8	95027-06065	B - 12	98507-06025	C - 7				
93210-14369	B - 9	93608-33002	C - 15		B - 8	98706-04012	E - 9				
93210-15414	E - 11	93612-16254	B - 3	95027-08012	D - 3	98706-04040	E - 11				
93210-15620	C - 8		C - 7	95027-08016	D - 3	98707-06025	D - 14				
93210-16716	C - 9	9383B-13218	C - 12	95027-08020	E - 4	98907-05020	F - 2				
93210-17570	D - 3	94108-21008	E - 3	95027-08035	D - 10	98907-06020	D - 14				
93210-19123	C - 12	94109-21008	E - 3	95027-08040	D - 10	98980-06008	C - 6				
93210-196A4	F - 3	94110-18008	E - 5		D - 2	99001-08600	B - 10				
93210-21276	C - 8	94112-18015	E - 5	95027-08065	D - 2	99009-12400	B - 10				

CONTENTS

ENGINE

CYLINDER	B2
CRANKSHAFT. PISTON	B4
VALVE	B5
CAMSHAFT. CHAIN	B7
WATER PUMP	B8
RADIATOR. HOSE	B9
OIL PUMP	B10
OIL CLEANER	B12
INTAKE	B13
CARBURETOR	B15
EXHAUST	C6
CRANKCASE	C7
CRANKCASE COVER 1	C8
STARTER	C9
CLUTCH	C10
TRANSMISSION	C12
SHIFT CAM. FORK	C14
SHIFT SHAFT	C15

CHASSIS

FRAME	D2
FENDER	D4
SIDE COVER	D5
REAR ARM	D7
REAR SUSPENSION	D9
STEERING	D10
FRONT FORK	D11
FUEL TANK	D14
SEAT	E2

FRONT WHEEL	E3
FRONT BRAKE CALIPER	E4
REAR WHEEL	E5
REAR BRAKE CALIPER	E7
STEERING HANDLE. CABLE	E8
FRONT MASTER CYLINDER	E9
STAND. FOOTREST	E10
REAR MASTER CYLINDER	E11
GENERATOR	E12
METER	E13
HEADLIGHT	E14
TAILLIGHT	E15
HANDLE SWITCH. LEVER	F2
ELECTRICAL 1	F3
ALTERNATE (CHASSIS)	F4

INDEX

NUMERICAL INDEX	M1
-----------------------	----