

PARTS CATALOGUE

WR250FA (1HC2) CANADA

WR250F (1HC3) EUROPE

WR250FA (1HC4) OCEANIA, SOUTH AFRICA



2010-12-17

1K1HC-100E1

()

NEWS No.	DATE	COMMENT
PE0-MC-100026	Sep.,27,2010	MOD: FIG.4: CAMSHAFT & CHAIN LIST/ILLUSTRATION REVISION
PE0-MC-100034	Nov.,30,2010	MOD: FIG.23: SIDE COVER LIST/ILLUSTRATION REVISION

WR250FA/WR250F
PARTS CATALOGUE
©2010 by Yamaha Motor Co., Ltd.
1st edition, June 2010
All rights reserved.
Any reprinting or unauthorized use
without the written permission of
Yamaha Motor Co., Ltd.
is expressly prohibited.
Printed in Japan.

FOREWORD

This Parts Catalogue is related to the parts for the model(s) on the cover page. When you are ordering replacement parts, please refer to this Parts Catalogue and quote both part numbers and part names correctly.

1. Modifications or additions which have been made after the issue of the Parts Catalogue will be announced in the Parts News.

It is advisable that you make the necessary corrections to the Parts Catalogue according to the Parts News.

2. Abbreviations

The following abbreviations are used in this Parts Catalogue.

“UR” Use specified parts number.

“UN” Use as many as needed.

“AP” Alternate Parts

“LM” Locally Made (Parts need to be ordered locally)

“F#” Frame No. (Applicable machine No.)

“O/S” Over Size

3. The number of components for assembly

- Parts, which are to be supplied in an assembly, are listed with a dot (.) in front of the part name as shown below.
- The numeral appearing to the right of each component part indicates the quantity of parts for each assembly unit.

PART NO.	DESCRIPTION	Q'TY	REMARKS
2F5-83310-60	FRONT FLASHER LIGHT ASSY	2	
115-83311-60	.BULB (6V-18W)	1	

4. Applicable colours of graphics are represented in the “REMARKS” as shown below.

PART NO.	DESCRIPTION	Q'TY	REMARKS
2N4-24110-00-X5	FUEL TANK COMP.	2	MXR
3J1-24240-10	.GRAPHIC, FUEL TANK	1	FOR MXR

5. Note that the illustrations for reference in finding parts numbers are not to be used for assembling. When assembling, please use the applicable service manual.

6. The asterisk (*) before a reference number indicates modified items after the first edition.

CONTENTS

ENGINE

CYLINDER	1
CRANKSHAFT & PISTON	3
VALVE	4
CAMSHAFT & CHAIN	6
WATER PUMP	7
RADIATOR & HOSE	8
OIL PUMP	9
OIL CLEANER	11
INTAKE	12
CARBURETOR	14
AIR INDUCTION SYSTEM	19
EXHAUST	20
CRANKCASE	21
CRANKCASE COVER 1	22
STARTER	24
STARTER CLUTCH	25
CLUTCH	26
TRANSMISSION	28
SHIFT CAM & FORK	30
SHIFT SHAFT	31

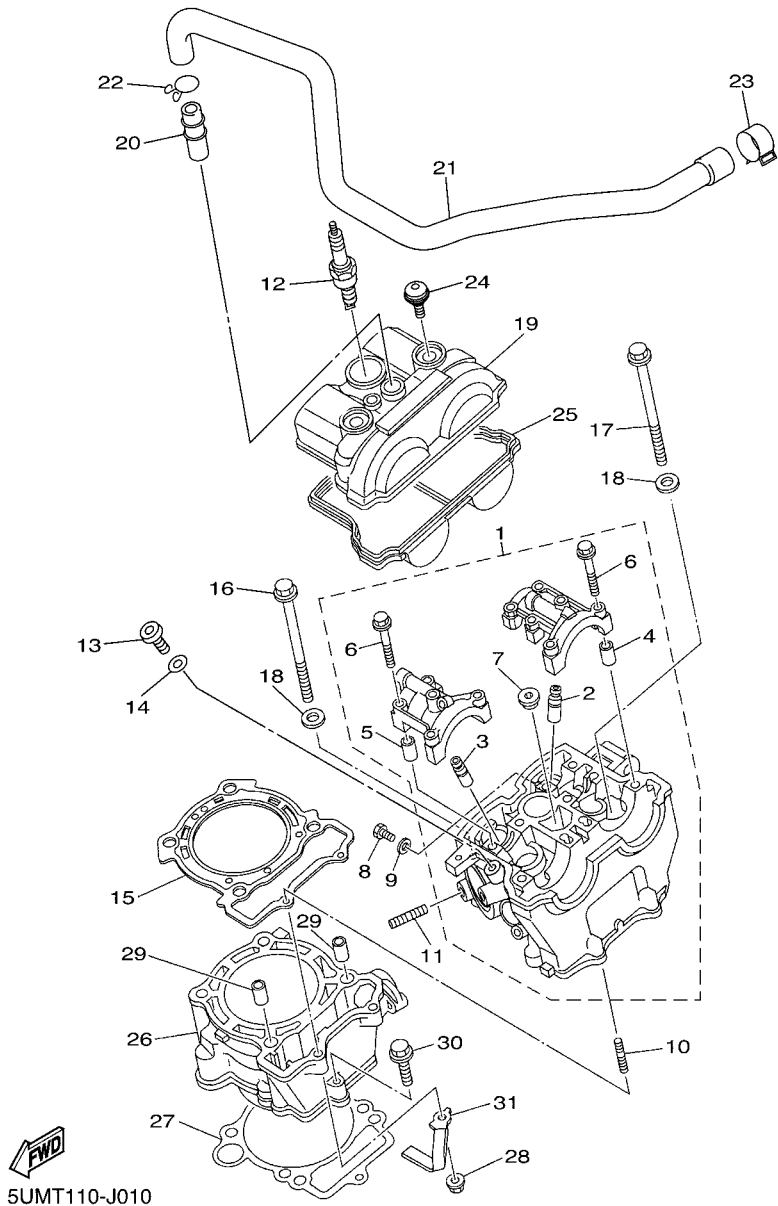
CHASSIS

FRAME	32
FENDER	34
SIDE COVER	36
REAR ARM	38
REAR SUSPENSION	40
STEERING	42
FRONT FORK	43
FUEL TANK	46
SEAT	48
FRONT WHEEL	49
FRONT BRAKE CALIPER	50
REAR WHEEL	51
REAR BRAKE CALIPER	53
STEERING HANDLE & CABLE	54
FRONT MASTER CYLINDER	55
STAND & FOOTREST	56
REAR MASTER CYLINDER	57
GENERATOR	58
STARTING MOTOR	59

METER	60
HEADLIGHT	61
TAILLIGHT	62
HANDLE SWITCH & LEVER	63
ELECTRICAL 1	64
ALTERNATE FOR CHASSIS	66

INDEX

NUMERICAL INDEX	67
-----------------------	----



5UMT110-J010

FIG. 1 CYLINDER

REF. NO.	PART NO.	DESCRIPTION	1HC2	1HC3	1HC4	REMARKS
1	5UM-11101-10	CYLINDER HEAD ASSY	1	1	1	
2	5NL-11133-10	.GUIDE, VALVE 1	3	3	3	
3	5NL-11134-10	.GUIDE, VALVE 2	2	2	2	
4	91808-16023	.PIN, DOWEL	2	2	2	
5	91808-16023	.PIN, DOWEL	2	2	2	
6	90105-06027	.BOLT, FLANGE	10	10	10	
7	90340-12007	.PLUG, STRAIGHT SCREW	1	1	1	
8	95022-06010	BOLT, FLANGE	1	1	1	
9	90430-06014	GASKET	1	1	1	
10	90116-06038	BOLT, STUD	2	2	2	
11	95612-08620	BOLT, STUD	2	2	2	
12	94701-00410	PLUG, SPARK (NGK R CR9E)	1	1	1	STD
	94701-00411	PLUG, SPARK (NGK R CR8E)	1	1	1	AP
13	90340-12007	PLUG, STRAIGHT SCREW	1	1	1	
14	90201-12790	WASHER, PLATE	1	1	1	
15	5NL-11181-00	GASKET, CYLINDER HEAD 1	1	1	1	
16	90105-09004	BOLT, FLANGE	2	2	2	
17	90105-09002	BOLT, FLANGE	2	2	2	
18	90201-096J9	WASHER, PLATE	4	4	4	
19	5NL-11191-40	COVER, CYLINDER HEAD 1	1	1	1	
20	371-11167-01	PIPE, BREATHER 2	1	1	1	
21	5UM-11166-00	PIPE, BREATHER 1	1	1	1	
22	90467-140A4	CLIP	1	1	1	
23	90467-17089	CLIP	1	1	1	
24	5UM-1119E-00	BOLT, COVER HEAD	2	2	2	
25	5NL-11193-00	GASKET, HEAD COVER 1	1	1	1	
26	5XC-11311-10	CYLINDER 1	1	1	1	



5UME100-F020

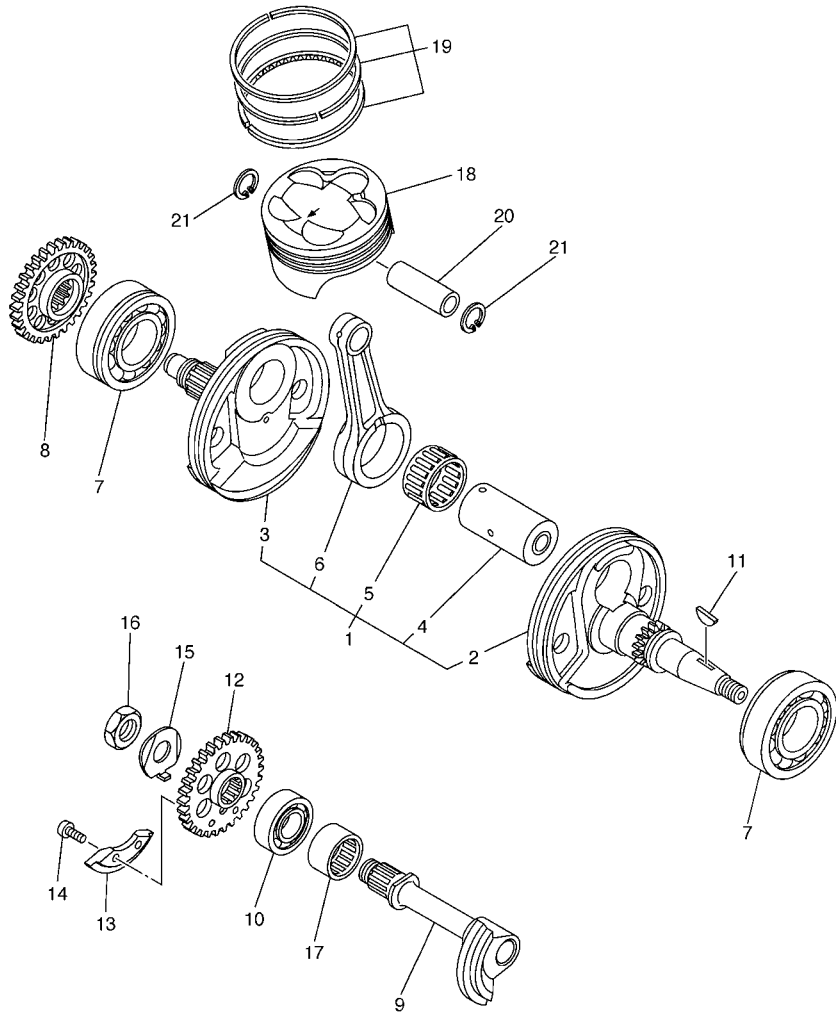
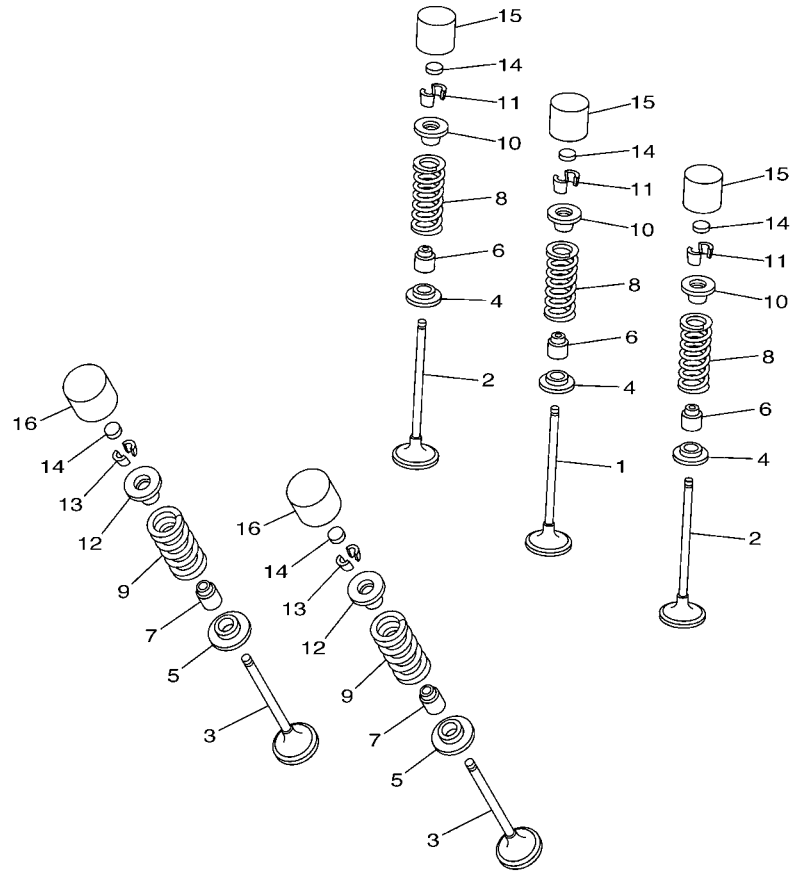


FIG. 2 CRANKSHAFT & PISTON

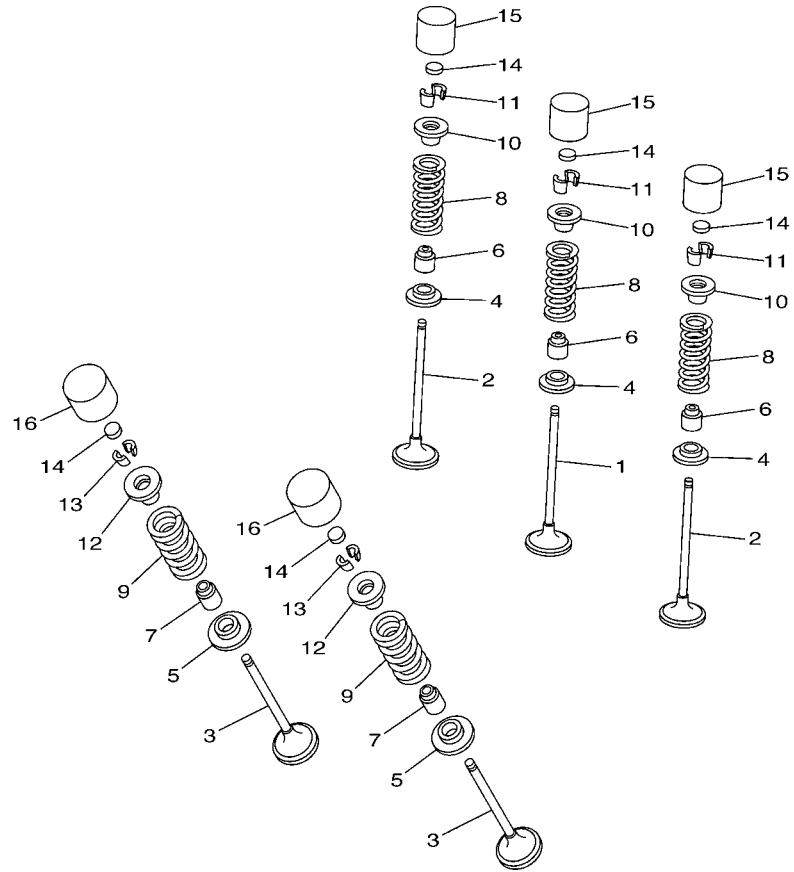
REF. NO.	PART NO.	DESCRIPTION	1HC2	1HC3	1HC4	REMARKS
1	5UM-11400-31	CRANKSHAFT ASSY	1	1	1	
2	5UM-11412-20	.CRANK 1	1	1	1	
3	5UL-11422-10	.CRANK 2	1	1	1	
4	5XC-11681-01	.PIN, CRANK 1	1	1	1	
5	93310-63238	.BEARING	1	1	1	
6	5XC-11651-00	.ROD, CONNECTING	1	1	1	
7	93306-20648	BEARING	2	2	2	
8	5NL-11536-10	GEAR, DRIVE	1	1	1	
9	5NL-11455-00	SHAFT 1	1	1	1	
10	93306-20335	BEARING	1	1	1	
11	90280-03006	KEY, WOODRUFF	1	1	1	
12	5NL-11531-00	GEAR, BALANCE WEIGHT	1	1	1	
13	5NL-11454-00	WEIGHT 1	1	1	1	
14	90149-06084	SCREW	2	2	2	
15	90215-14204	WASHER, LOCK	1	1	1	
16	90170-14171	NUT	1	1	1	
17	93311-32261	BEARING	1	1	1	
18	5NL-11631-20	PISTON (STD)	1	1	1	
19	5NL-11603-00	PISTON RING SET (STD)	1	1	1	
20	5NL-11633-00	PIN, PISTON	1	1	1	
21	93420-16086	CIRCLIP	2	2	2	



5NL1100-1030

FIG. 3 VALVE

REF. NO.	PART NO.	DESCRIPTION	1HC2	1HC3	1HC4	REMARKS
1	5NL-12111-20	VALVE, INTAKE	1	1	1	
2	5NL-12112-20	VALVE, INTAKE 2	2	2	2	
3	5NL-12121-10	VALVE, EXHAUST	2	2	2	
4	5NL-12116-00	SEAT, VALVE SPRING	3	3	3	
5	3GM-12126-00	SEAT, VALVE SPRING 2	2	2	2	
6	4TV-12119-00	SEAL, VALVE STEM	3	3	3	
7	4SV-12119-00	SEAL, VALVE STEM	2	2	2	
8	5UM-12113-00	SPRING, VALVE INNER	3	3	3	
9	5NL-12114-00	SPRING, VALVE OUTER	2	2	2	
10	1HX-12117-00	RETAINER, VALVE SPRING	3	3	3	
11	1HX-12118-00	COTTER, VALVE	6	6	6	
12	1WG-12117-00	RETAINER, VALVE SPRING	2	2	2	
13	1WG-12118-00	COTTER, VALVE	4	4	4	
14	1HX-12168-00	PAD, ADJUSTING 2 (1.20)	5	5	5	UR
	1HX-12168-20	PAD, ADJUSTING 2 (1.25)	5	5	5	UR
	1HX-12168-40	PAD, ADJUSTING 2 (1.30)	5	5	5	UR
	1HX-12168-60	PAD, ADJUSTING 2 (1.35)	5	5	5	UR
	1HX-12168-80	PAD, ADJUSTING 2 (1.40)	5	5	5	UR
	1HX-12168-A0	PAD, ADJUSTING 2 (1.45)	5	5	5	UR
	1HX-12168-F0	PAD, ADJUSTING 2 (1.50)	5	5	5	UR
	1HX-12168-H1	PAD, ADJUSTING 2 (1.55)	5	5	5	UR
	1HX-12168-K1	PAD, ADJUSTING 2 (1.60)	5	5	5	UR
	1HX-12168-M1	PAD, ADJUSTING 2 (1.65)	5	5	5	UR
	1HX-12168-R1	PAD, ADJUSTING 2 (1.70)	5	5	5	UR
	1HX-12168-U1	PAD, ADJUSTING 2 (1.75)	5	5	5	UR
	1HX-12168-W1	PAD, ADJUSTING 2 (1.80)	5	5	5	UR
	1HX-12168-Y1	PAD, ADJUSTING 2 (1.85)	5	5	5	UR



5NL1100-1030

FIG. 3 VALVE

REF. NO.	PART NO.	DESCRIPTION	HC2	HC3	HC4	REMARKS
14	1HX-12169-11	PAD, ADJUSTING 2 (1.90)	5	5	5	UR
	1HX-12169-31	PAD, ADJUSTING 2 (1.95)	5	5	5	UR
	1HX-12169-50	PAD, ADJUSTING 2 (2.00)	5	5	5	UR
	1HX-12169-70	PAD, ADJUSTING 2 (2.05)	5	5	5	UR
	1HX-12169-90	PAD, ADJUSTING 2 (2.10)	5	5	5	UR
	1HX-12169-E0	PAD, ADJUSTING 2 (2.15)	5	5	5	UR
	1HX-12169-G0	PAD, ADJUSTING 2 (2.20)	5	5	5	UR
	1HX-12169-J0	PAD, ADJUSTING 2 (2.25)	5	5	5	UR
	1HX-12169-L0	PAD, ADJUSTING 2 (2.30)	5	5	5	UR
	1HX-12169-N0	PAD, ADJUSTING 2 (2.35)	5	5	5	UR
	1HX-12169-T0	PAD, ADJUSTING 2 (2.40)	5	5	5	UR
15	3LN-12153-10	LIFTER, VALVE	3	3	3	YELLOW
16	3FV-12153-10	LIFTER, VALVE	2	2	2	YELLOW

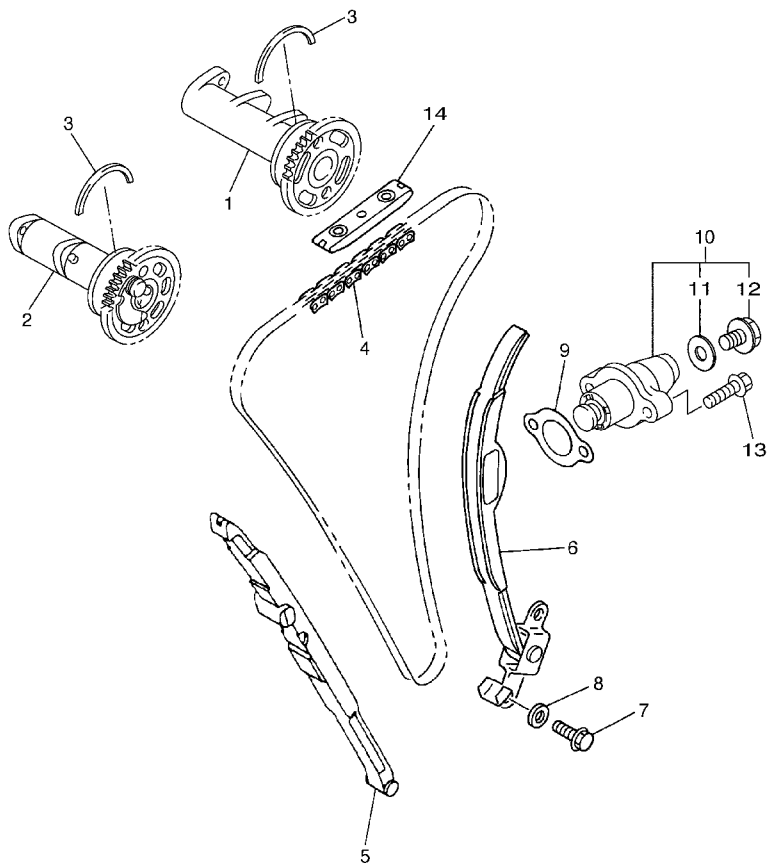
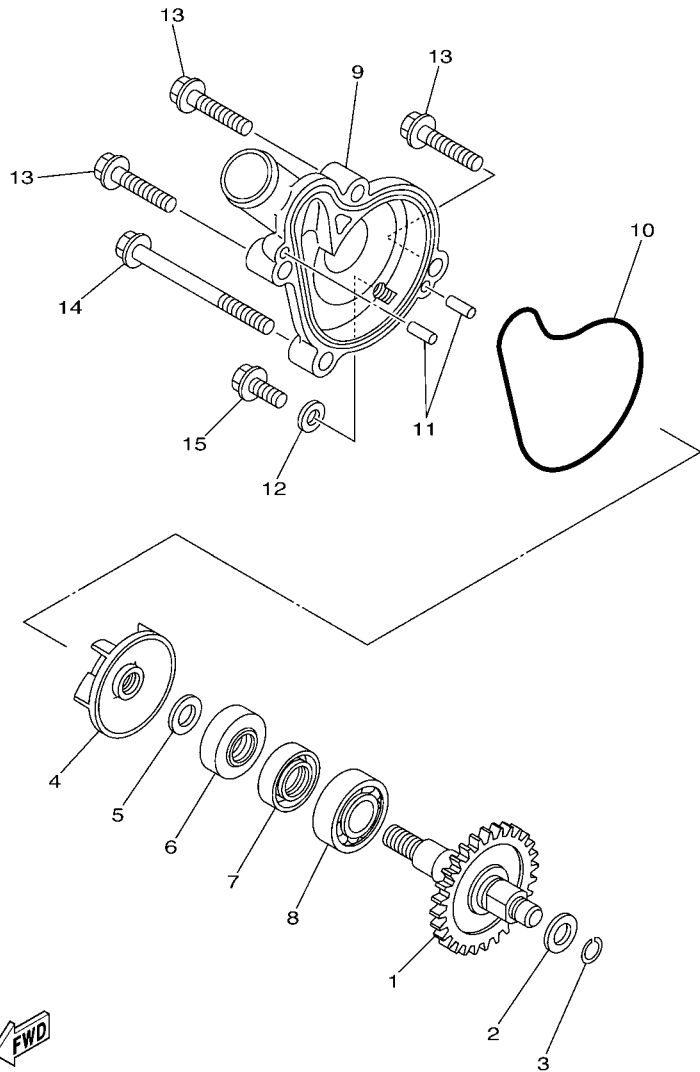


FIG. 4 CAMSHAFT & CHAIN

REF. NO.	PART NO.	DESCRIPTION	1HC2	1HC3	1HC4	REMARKS
1	5UM-12170-10	CAMSHAFT ASSY 1	1	1	1	
2	5UM-12180-20	CAMSHAFT ASSY 2	1	1	1	
3	93440-41178	CIRCLIP	2	2	2	
4	94591-53114	CHAIN	1	1	1	
5	5NL-12251-10	DAMPER, CHAIN 1	1	1	1	
6	5NL-12252-00	DAMPER, CHAIN 2	1	1	1	
7	97022-06016	BOLT	2	2	2	
8	92902-06600	WASHER, PLATE	2	2	2	
9	4FM-12213-00	GASKET, TENSIONER CASE	1	1	1	
10	5TA-12210-20	TENSIONER ASSY, CAM CHAIN	1	1	1	
11	5EL-12214-00	.GASKET	1	1	1	
12	5EL-12228-00	.BOLT, FLANGE	1	1	1	
13	95022-06025	BOLT, FLANGE	2	2	2	
14	5BE-12241-00	GUIDE, STOPPER 2	1	1	1	



5UMB100-E041



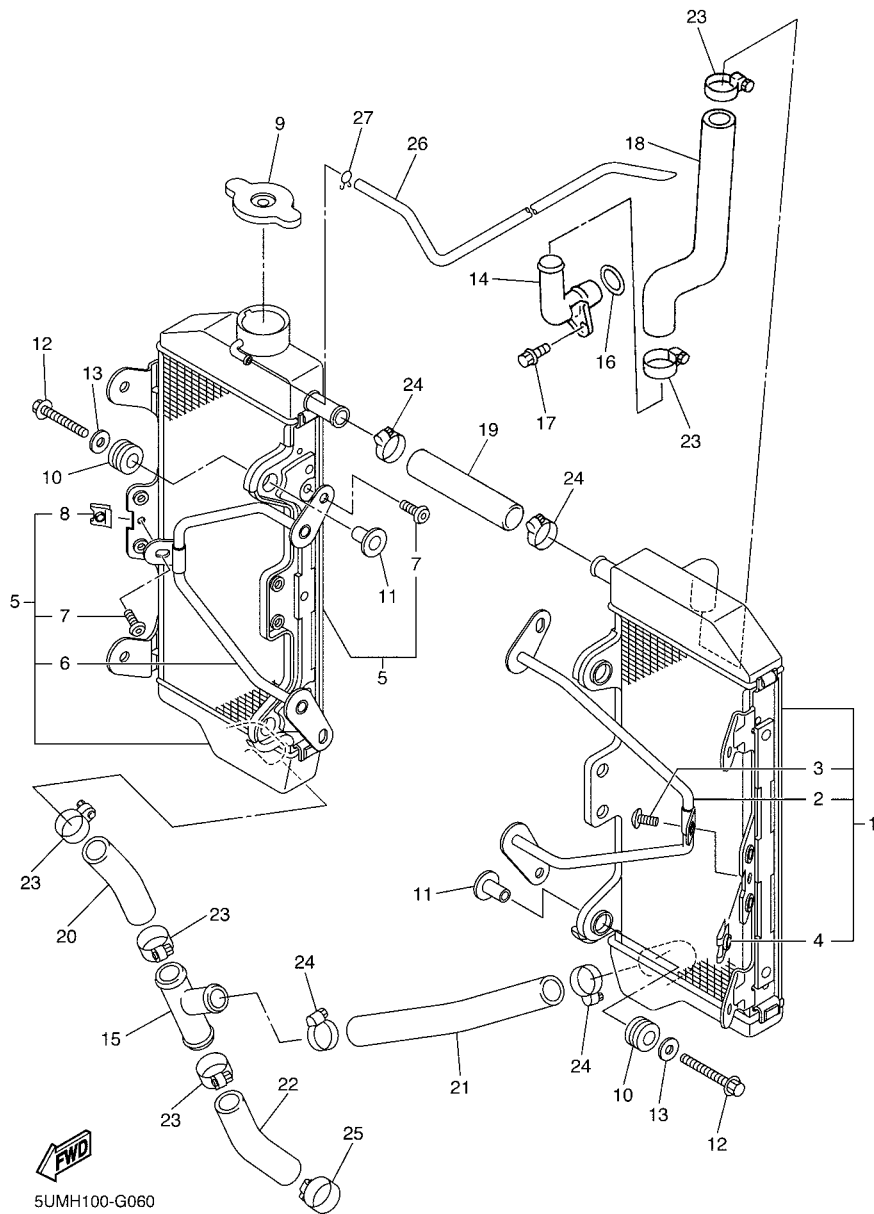
5NL1100-1050

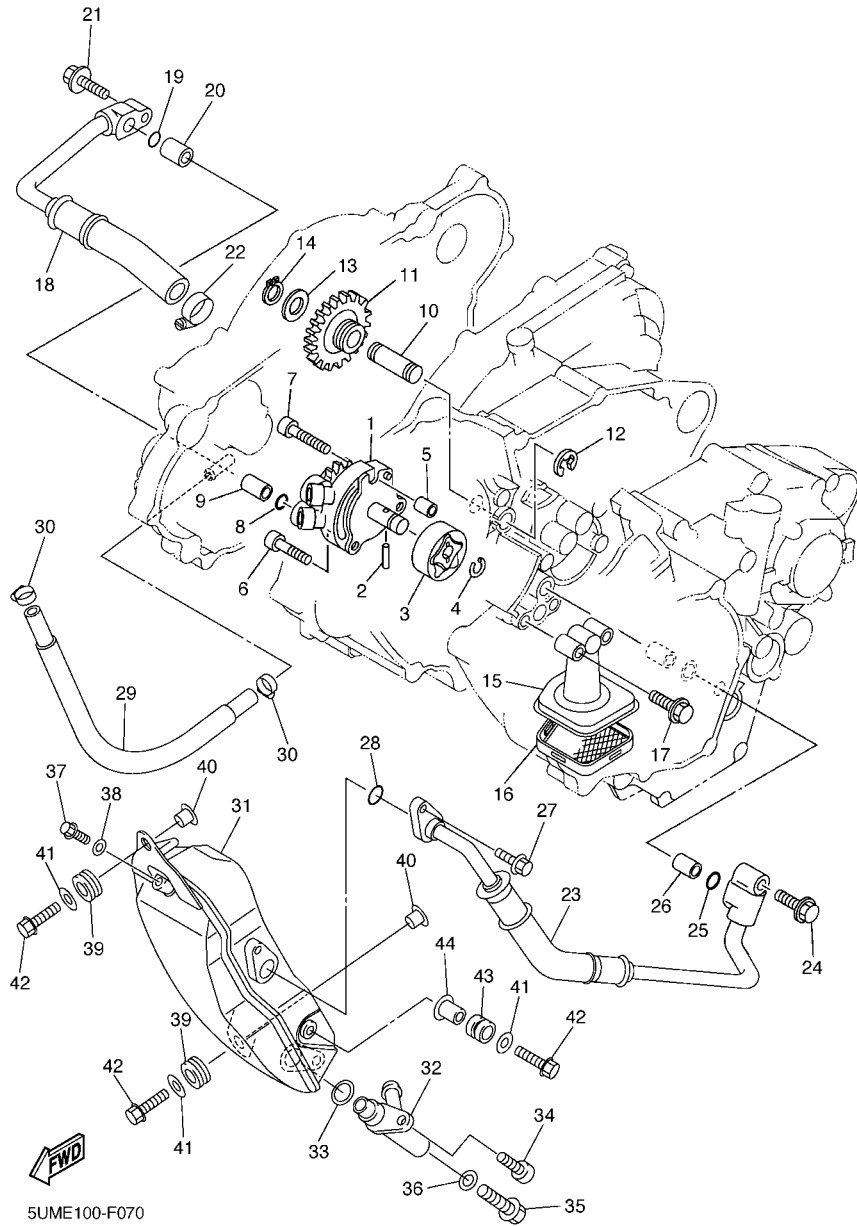
FIG. 5 WATER PUMP

REF. NO.	PART NO.	DESCRIPTION	1HC2	1HC3	1HC4	REMARKS
1	5XC-12459-00	GEAR, IMPELLER SHAFT	1	1	1	
2	90201-08512	WASHER, PLATE	1	1	1	
3	93440-07182	CIRCLIP	1	1	1	
4	5DH-12451-00	IMPELLER, WATER PUMP	1	1	1	
5	90201-08512	WASHER, PLATE	1	1	1	
6	93109-11073	OIL SEAL	1	1	1	
7	93102-12106	OIL SEAL (SD 12-22-5 HS)	1	1	1	
8	93306-00105	BEARING	1	1	1	
9	5NL-12422-10	COVER, HOUSING	1	1	1	
10	5NL-12439-00	O-RING	1	1	1	
11	93604-10011	PIN, DOWEL	2	2	2	
12	90430-06014	GASKET	1	1	1	
13	95022-06025	BOLT, FLANGE	3	3	3	
14	95022-06065	BOLT, FLANGE	1	1	1	
15	95022-06012	BOLT, FLANGE	1	1	1	

FIG. 6 RADIATOR & HOSE

REF. NO.	PART NO.	DESCRIPTION	1HC2	1HC3	1HC4	REMARKS
1	5UM-1240A-E0	RADIATOR ASSY	1	1	1	
2	2S2-12464-70	.STAY, RADIATOR	1	1	1	
3	92012-06010	.BOLT, BUTTON HEAD	3	3	3	
4	90183-060A6	.NUT, SPRING	1	1	1	
5	5UM-12461-E0	RADIATOR COMP	1	1	1	
6	2S2-12464-70	.STAY, RADIATOR	1	1	1	
7	92012-06010	.BOLT, BUTTON HEAD	3	3	3	
8	90183-060A6	.NUT, SPRING	1	1	1	
9	22W-12462-00	CAP, RADIATOR	1	1	1	
10	90480-15528	GROMMET	4	4	4	
11	90387-06065	COLLAR	4	4	4	
12	90105-06111	BOLT, FLANGE	4	4	4	
13	90201-06571	WASHER, PLATE	4	4	4	
14	5XC-12481-90	PIPE 1	1	1	1	
15	5XC-12482-90	PIPE 2	1	1	1	
16	93210-15414	O-RING	1	1	1	
17	91312-06012	BOLT	1	1	1	
18	5XC-12576-90	HOSE 1	1	1	1	
19	1C3-12482-00	PIPE 2	1	1	1	
20	5XC-12578-90	HOSE 3	1	1	1	
21	5XC-12579-91	HOSE 4	1	1	1	
22	5XC-1244H-90	HOSE 5	1	1	1	
23	90450-25001	HOSE CLAMP ASSY	5	5	5	
24	90450-22001	HOSE CLAMP ASSY	4	4	4	
25	90450-32003	HOSE CLAMP ASSY	1	1	1	
26	91A20-05140	TUBE, FLEXIBLE VINYL	1	1	1	
27	90467-090A2	CLIP	1	1	1	

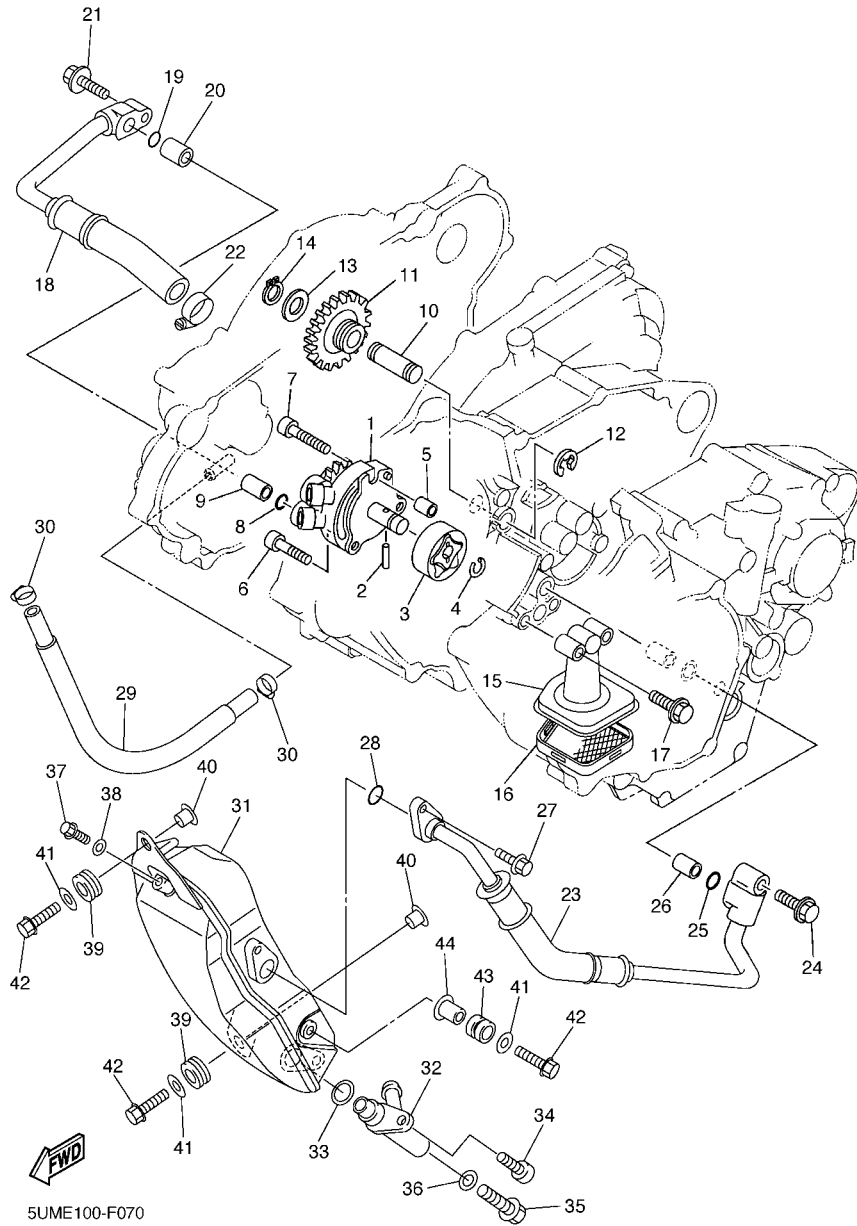




5UME100-F070

FIG. 7 OIL PUMP

REF. NO.	PART NO.	DESCRIPTION	1HC2	1HC3	1HC4	REMARKS
1	5SG-13300-01	OIL PUMP ASSY	1	1	1	
2	93603-16219	PIN, DOWEL	1	1	1	
3	5NL-13320-00	ROTOR ASSY 2	1	1	1	
4	93440-10153	CIRCLIP	1	1	1	
5	99530-08012	PIN, DOWEL	1	1	1	
6	91312-06025	BOLT	2	2	2	
7	91317-06030	BOLT	1	1	1	
8	93210-10197	O-RING	1	1	1	
9	99530-10114	PIN, DOWEL	1	1	1	
10	5BE-13342-00	SHAFT, IDLE GEAR	1	1	1	
11	5NL-13341-00	GEAR, OIL PUMP IDLE	1	1	1	
12	99001-08600	CIRCLIP	1	1	1	
13	90201-12166	WASHER, PLATE	1	1	1	
14	99009-12400	CIRCLIP	1	1	1	
15	5XC-13412-00	HOUSING, STRAINER	1	1	1	
16	5NL-13411-00	STRAINER, OIL	1	1	1	
17	95022-06025	BOLT, FLANGE	2	2	2	
18	5XC-13464-20	HOSE, OIL 1	1	1	1	
19	93210-10197	O-RING	1	1	1	
20	99530-10114	PIN, DOWEL	1	1	1	
21	95022-06025	BOLT, FLANGE	1	1	1	
22	90450-22001	HOSE CLAMP ASSY	1	1	1	
23	5XC-13465-10	HOSE, OIL 2	1	1	1	
24	95022-06025	BOLT, FLANGE	1	1	1	
25	93210-10197	O-RING	1	1	1	
26	99530-10114	PIN, DOWEL	1	1	1	
27	95022-06016	BOLT, FLANGE	1	1	1	

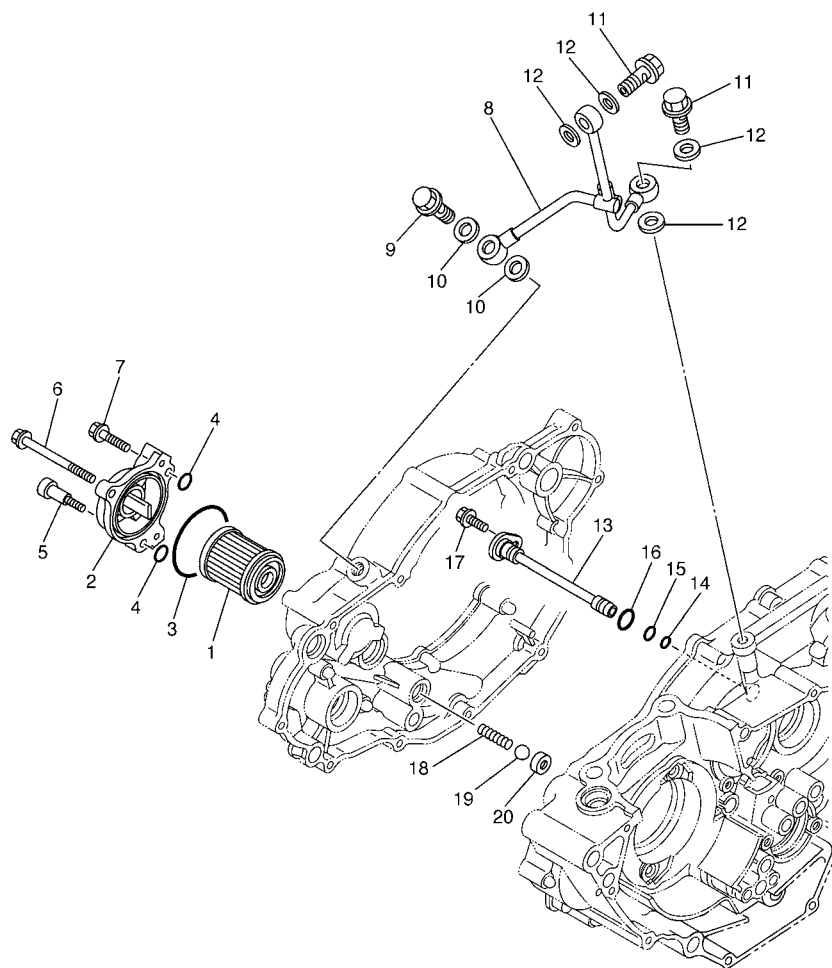


5UME100-F070

FIG. 7 OIL PUMP

REF. NO.	PART NO.	DESCRIPTION	1HC2	1HC3	1HC4	REMARKS
28	93210-09754	O-RING	1	1	1	
29	90445-14010	HOSE	1	1	1	
30	90450-17001	HOSE CLAMP ASSY	2	2	2	
31	5XC-21751-90	TANK, OIL	1	1	1	
32	5XC-13416-90	PIPE, OIL 1	1	1	1	
33	93210-14369	O-RING	1	1	1	
34	91312-06016	BOLT	1	1	1	
35	90105-08151	BOLT, FLANGE	1	1	1	
36	90201-082A6	WASHER, PLATE	1	1	1	
37	90105-06128	BOLT, FLANGE	1	1	1	
38	90201-06630	WASHER, PLATE	1	1	1	
39	90480-10289	GROMMET	2	2	2	
40	90387-06150	COLLAR	2	2	2	
41	90201-06571	WASHER, PLATE	3	3	3	
42	90105-06112	BOLT, FLANGE	3	3	3	
43	90480-14433	GROMMET	1	1	1	
44	90387-06161	COLLAR	1	1	1	

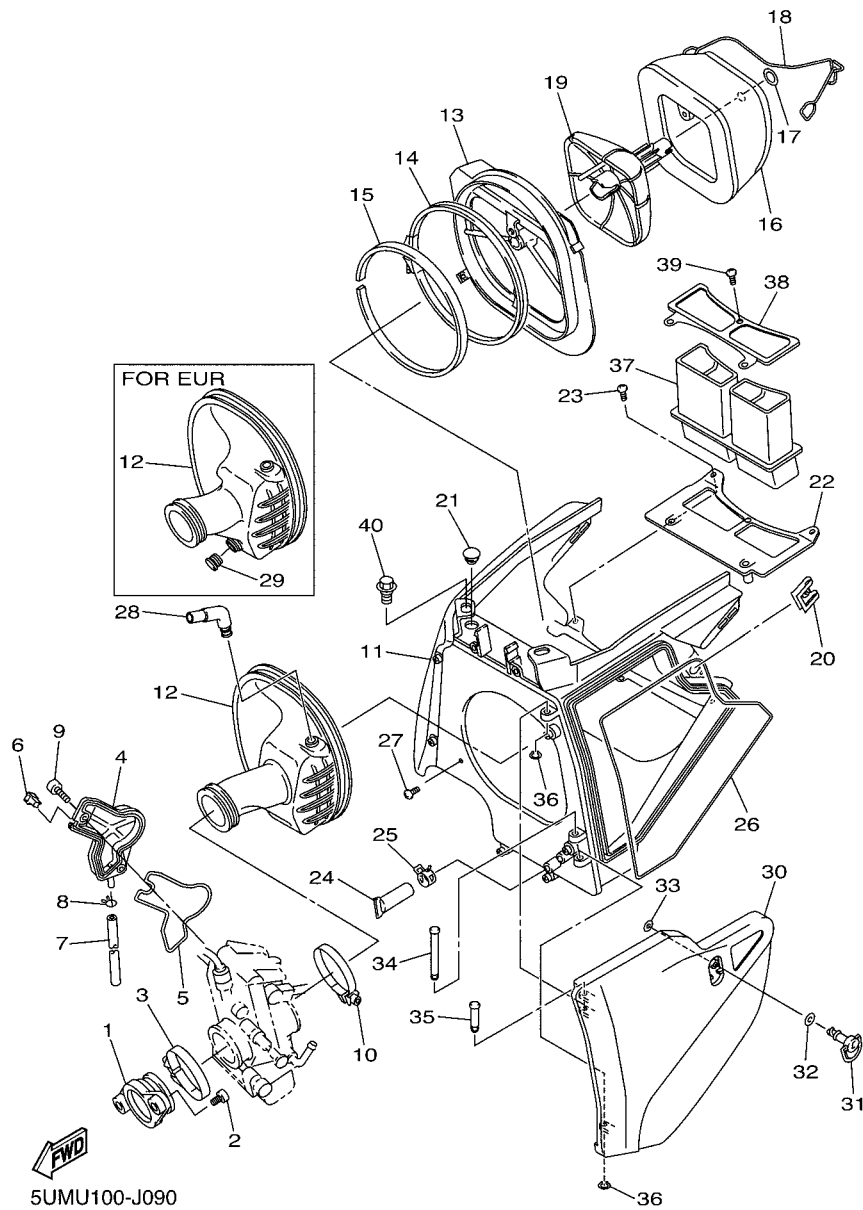
FIG. 8 OIL CLEANER



REF. NO.	PART NO.	DESCRIPTION	1HC2	1HC3	1HC4	REMARKS
1	5D3-13440-00	ELEMENT ASSY, OIL CLEANER	1	1	1	
2	5BE-13447-20	COVER, OIL ELEMENT	1	1	1	
3	93210-47675	O-RING	1	1	1	
4	93210-07135	O-RING	3	3	3	
5	90110-06228	BOLT, HEXAGON SOCKET HEAD	1	1	1	
6	91312-06065	BOLT	1	1	1	
7	91312-06025	BOLT	1	1	1	
8	5NL-13161-20	PIPE, DELIVERY 1	1	1	1	
9	90401-10015	BOLT, UNION	1	1	1	
10	90430-10188	GASKET	2	2	2	
11	90401-08006	BOLT, UNION	2	2	2	
12	90430-08119	GASKET	4	4	4	
13	5NL-13171-10	PIPE, DELIVERY 2	1	1	1	
14	93210-07003	O-RING	1	1	1	
15	93210-09525	O-RING	1	1	1	
16	93210-12010	O-RING	1	1	1	
17	95022-06012	BOLT, FLANGE	1	1	1	
18	90501-043E0	SPRING, COMPRESSION	1	1	1	
19	93503-08007	BALL	1	1	1	
20	583-13113-00	SEAT, CHECK BALL	1	1	1	



5XC9100-E080



5UMU100-J090

FIG. 9 INTAKE

REF. NO.	PART NO.	DESCRIPTION	1HC2	1HC3	1HC4	REMARKS
1	5XC-13597-30	JOINT, CARBURETOR 3	1	1	1	
2	91312-06025	BOLT	2	2	2	
3	90450-57010	HOSE CLAMP ASSY	1	1	1	
4	5TA-14293-00	COVER 1	1	1	1	
5	5TA-14227-00	GASKET	1	1	1	
6	5TA-14239-00	SEAL	1	1	1	
7	5TA-14987-00	HOSE	1	1	1	
8	3TJ-14137-40	CLIP	1	1	1	
9	90110-05038	BOLT, HEXAGON SOCKET HEAD	2	2	2	
10	90450-61002	HOSE CLAMP ASSY	1	1	1	
11	5UM-14401-E0	AIR CLEANER CASE ASSY	1	1	1	
12	5UM-14453-E0	JOINT, AIR CLEANER 1	1		1	
	5UM-14453-L0	JOINT, AIR CLEANER 1		1		
13	5TJ-14459-01	HOLDER, GUIDE	1	1	1	
14	5NY-14455-20	BAND	1	1	1	
15	5NY-14442-00	SPACER	1	1	1	
16	5UM-14451-E0	ELEMENT, AIR CLEANER	1	1	1	
17	5TJ-14475-00	WASHER	1	1	1	
18	5UM-1441G-E0	BINDER 1	1	1	1	
19	5TJ-14458-00	GUIDE	1	1	1	
20	4XV-2177L-01	PLATE, SPRING	1	1	1	
21	90338-07043	PLUG	1	1	1	
22	5UM-14437-E0	DUCT	1	1	1	
23	97702-50516	SCREW, TAPPING	2	2	2	
24	5BF-1443E-00	PIPE, DRAIN	1	1	1	
25	90467-17089	CLIP	1	1	1	
26	5UM-14462-E0	SEAL	1	1	1	

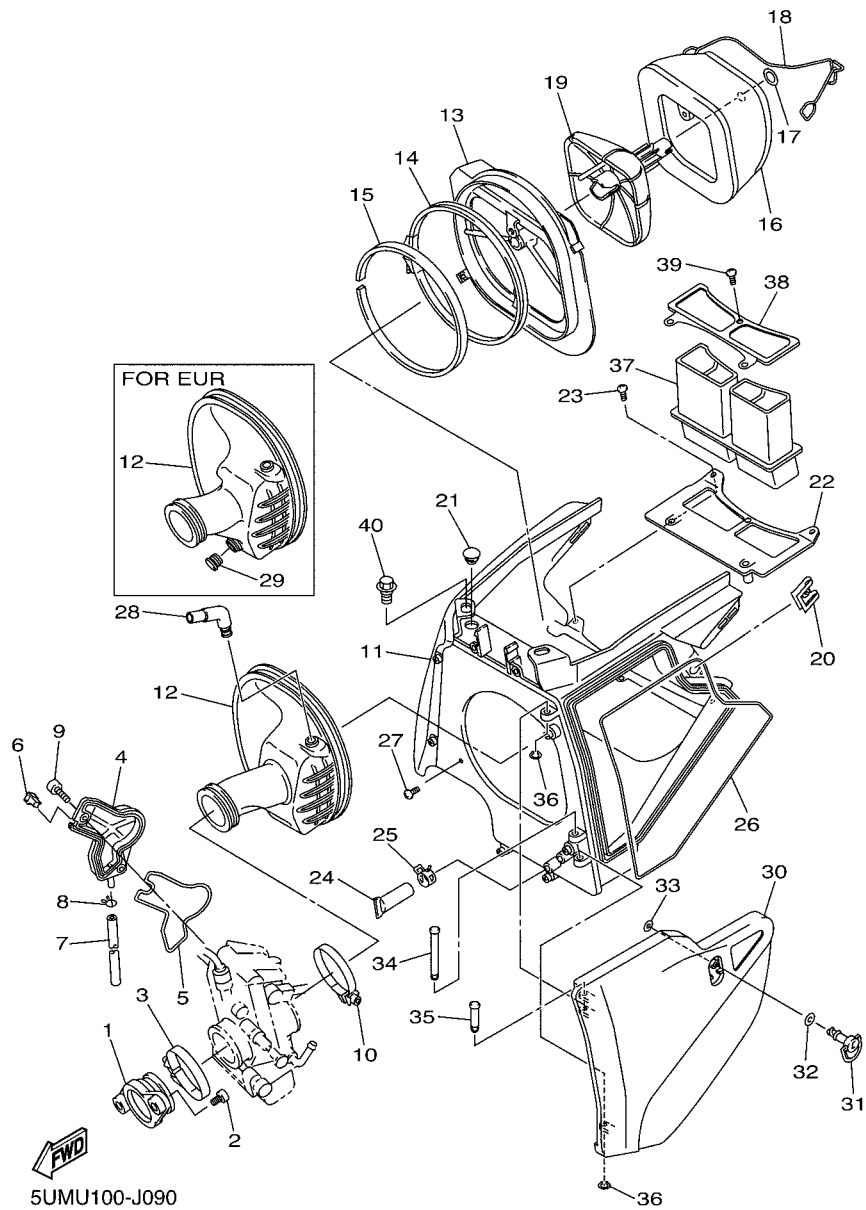
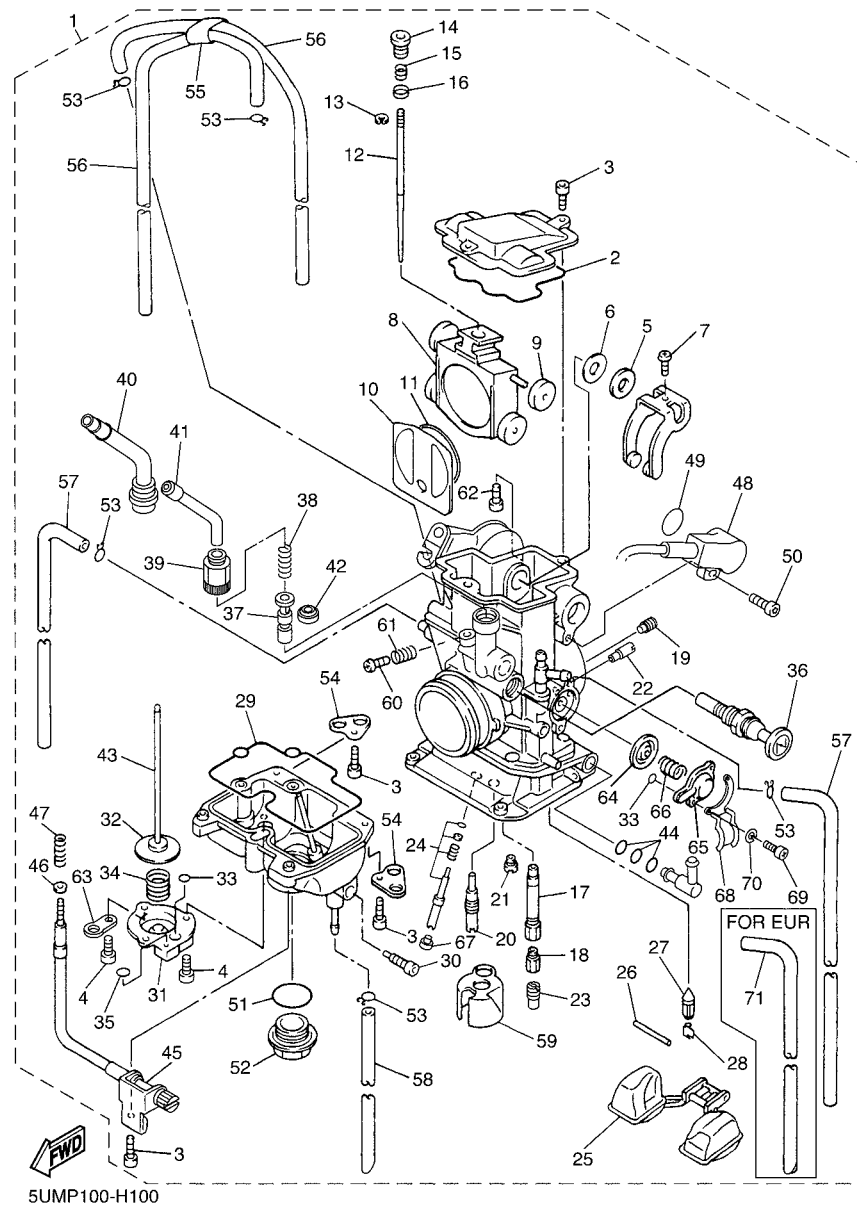


FIG. 9 INTAKE

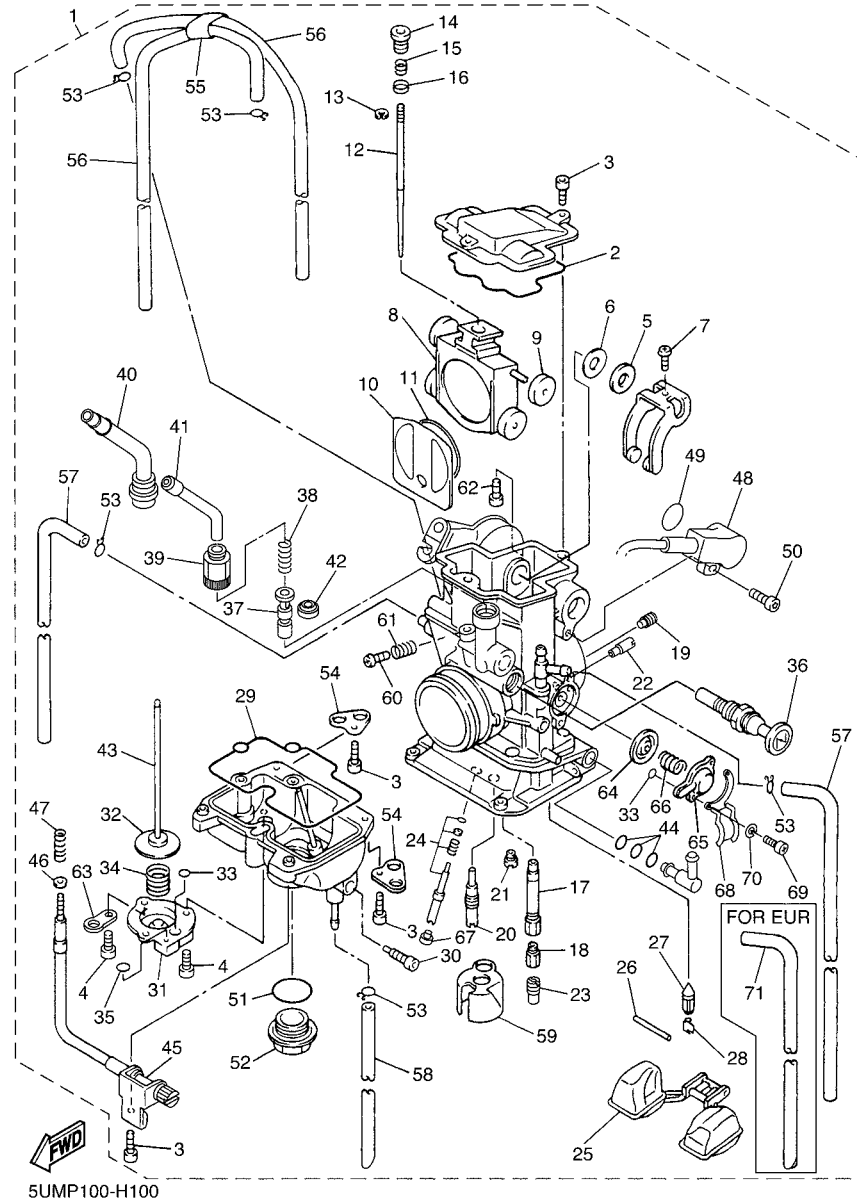
REF. NO.	PART NO.	DESCRIPTION	1HC2	1HC3	1HC4	REMARKS
27	97702-50516	SCREW, TAPPING	1	1	1	
28	5TJ-14419-00	PIPE	1	1	1	
29	5UM-1443B-L0	PLUG, BLIND		1		
30	5UM-1441A-E0	COVER, CLEANER CASE 1	1	1	1	
31	3FV-28386-00	HEAD	1	1	1	
32	2TK-21757-00	WASHER, SPECIAL 1	1	1	1	
33	5TJ-21757-00	WASHER, SPECIAL 1	1	1	1	
34	90249-05005	PIN	1	1	1	
35	90249-05004	PIN	1	1	1	
36	99002-04600	CIRCLIP	2	2	2	
37	5UM-1443A-E0	DUCT	1	1	1	
38	5UM-14417-E0	COVER 1	1	1	1	
39	97702-50516	SCREW, TAPPING	3	3	3	
40	90109-06245	BOLT	2	2	2	



5UMP100-H100

FIG. 10 CARBURETOR

REF. NO.	PART NO.	DESCRIPTION	1HC2	1HC3	1HC4	REMARKS
1	5UM-14101-E0	CARBURETOR ASSY 1	1		1	
	5UM-14101-L0	CARBURETOR ASSY 1		1		
2	5JG-14959-00	.GASKET	1	1	1	
3	91316-04012	.BOLT	6	6	6	
4	688-14592-00	.SCREW	3	3	3	
5	90202-08045	.WASHER, PLATE	1	1	1	
6	5JG-14951-00	.WASHER	1	1	1	
7	5JG-14522-00	.SCREW, ADJUST	1	1	1	
8	2S2-14388-00	.VALVE, VACUUM CONTROL	1	1	1	
9	3TJ-14267-40	.ROLLER	1	1	1	
10	5JG-14546-01	.VALVE, NEEDLE	1	1	1	
11	4FN-14997-00	.SEAL	1	1	1	
12	5UM-14916-RU	.NEEDLE (NJRU)	1		1	STD
	5UM-14916-LU	.NEEDLE (NNGU)		1		STD
	5UM-14916-VP	.NEEDLE (GDEMP)		1		AP
	5UM-14916-V1	.NEEDLE (GDEMQ)		1		AP
	5UM-14916-VR	.NEEDLE (GDEMR)		1		AP
	5UM-14916-VS	.NEEDLE (GDEMS)		1		AP
	5UM-14916-VT	.NEEDLE (GDEMT)		1		AP
	5UM-14916-VU	.NEEDLE (GDEMU)		1		AP
	5UM-14916-VV	.NEEDLE (GDEMV)		1		AP
	5UM-14916-BN	.NEEDLE (GDEPN)			1	AP
	5UM-14916-BP	.NEEDLE (GDEPP)			1	AP
	5UM-14916-B1	.NEEDLE (GDEPQ)			1	AP
	5UM-14916-BR	.NEEDLE (GDEPR)			1	AP
	5UM-14916-BS	.NEEDLE (GDEPS)			1	AP
	5UM-14916-BT	.NEEDLE (GDEPT)			1	AP



5UMP100-H100

FIG. 10 CARBURETOR

REF. NO.	PART NO.	DESCRIPTION	1HC2	1HC3	1HC4	REMARKS
12	5UM-14916-BU	.NEEDLE (GDEPU)			1	AP
13	3TJ-14159-40	.CLIP	1	1	1	
14	5JG-14521-00	.SCREW, ADJUST	1	1	1	
15	5JG-14275-00	.SPRING	1	1	1	
16	5JG-14264-00	.COLLAR	1	1	1	
17	5TJ-14947-00	.JET, NEEDLE	1	1	1	
18	4MX-14943-41	.JET, MAIN (#170)	1		1	STD
	4MX-14943-39	.JET, MAIN (#160)		1		STD
	4MX-14943-41	.JET, MAIN (#170)		1		AP
	4MX-14943-43	.JET, MAIN (#180)		1		AP
	4MX-14943-94	.JET, MAIN (#182)		1		AP
	4MX-14943-89	.JET, MAIN (#158)			1	AP
	4MX-14943-39	.JET, MAIN (#160)			1	AP
	4MX-14943-90	.JET, MAIN (#162)		1	1	AP
	4MX-14943-40	.JET, MAIN (#165)		1	1	AP
	4MX-14943-91	.JET, MAIN (#168)		1	1	AP
	4MX-14943-92	.JET, MAIN (#172)			1	AP
	4MX-14943-42	.JET, MAIN (#175)			1	AP
	4MX-14943-93	.JET, MAIN (#178)			1	AP
19	5UM-1494F-30	.JET (#115)	1	1	1	
20	4MX-14948-04	.JET, SLOW (#42)	1		1	STD
	4MX-14948-05	.JET, SLOW (#45)		1		STD
	4MX-14948-04	.JET, SLOW (#42)		1		AP
	4MX-14948-05	.JET, SLOW (#45)			1	AP
	4MX-14948-03	.JET, SLOW (#40)			1	AP
	4MX-14948-06	.JET, SLOW (#48)		1	1	AP
	4MX-14948-07	.JET, SLOW (#50)			1	AP

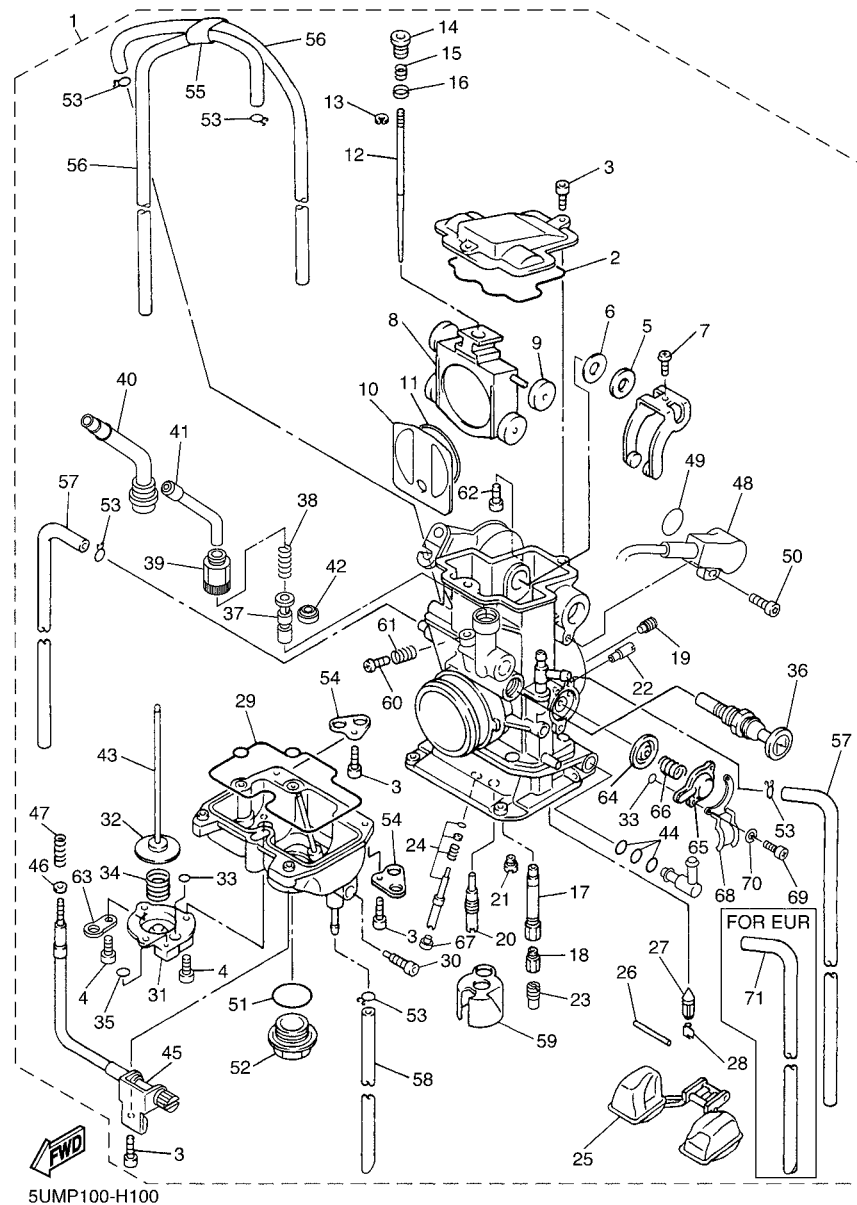
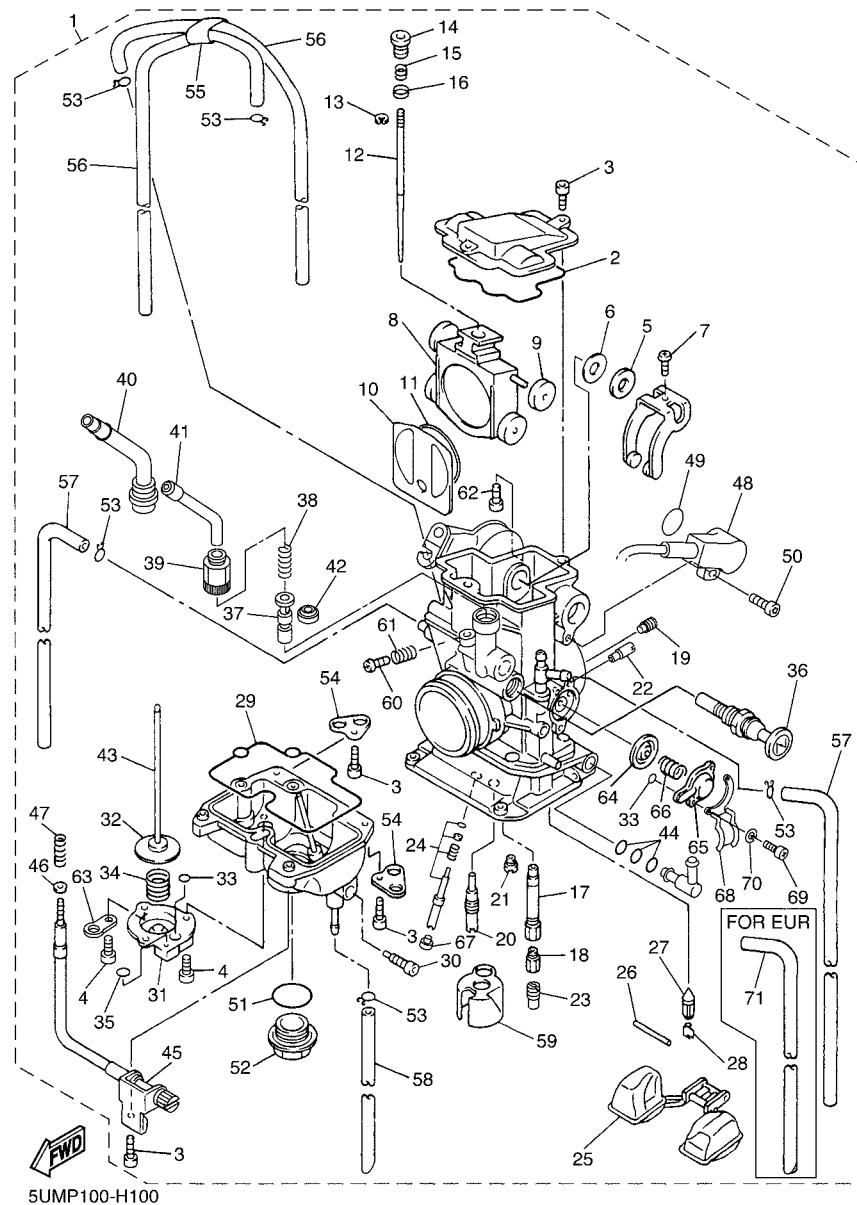


FIG. 10 CARBURETOR

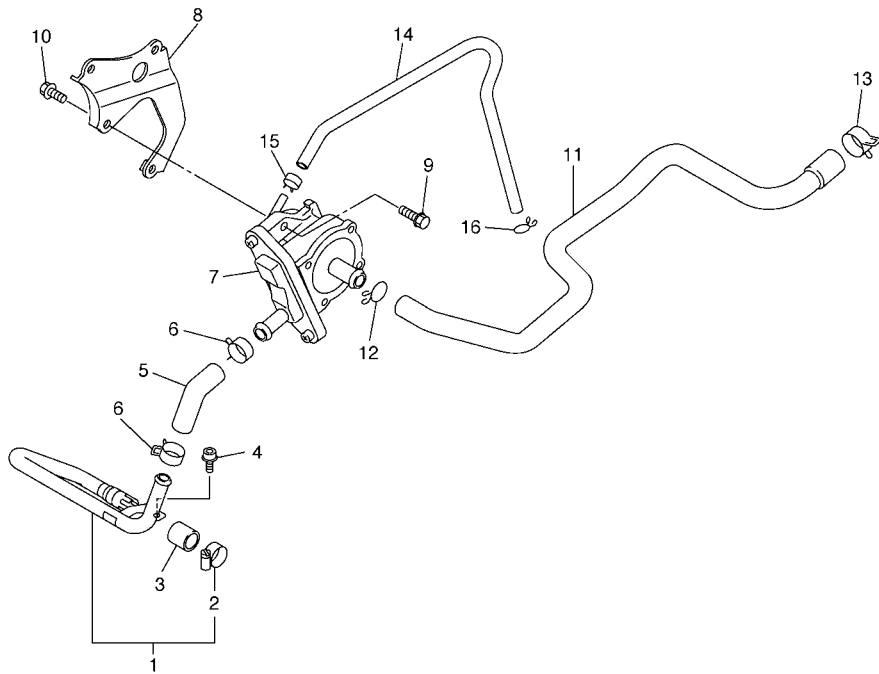
REF. NO.	PART NO.	DESCRIPTION	1HC2	1HC3	1HC4	REMARKS
21	3TJ-1494F-14	.JET (#68)	1	1	1	STD
	3TJ-1494F-12	.JET (#62)		1	1	AP
	3TJ-1494F-13	.JET (#65)		1	1	AP
	3TJ-1494F-15	.JET (#70)		1	1	AP
	3TJ-1494F-16	.JET (#72)		1	1	AP
22	5TA-14943-15	.JET, MAIN (#70)	1	1	1	
23	4JT-1494F-15	.JET (#70)	1	1	1	STD
	4JT-1494F-11	.JET (#60)		1	1	AP
	4JT-1494F-19	.JET (#80)		1	1	AP
	4JT-1494F-23	.JET (#90)		1	1	AP
	4JT-1494F-27	.JET(#100)		1	1	AP
	4JT-1494F-29	.JET(#110)		1	1	AP
	4JT-1494F-31	.JET(#120)		1	1	AP
24	5NL-14105-00	.PILOT SCREW SET	1	1	1	
25	4SR-14985-00	.FLOAT	1	1	1	
26	676-14548-00	.PIN, FLOAT ARM	1	1	1	
27	4MX-14392-00	.VALVE, NEEDLE	1	1	1	
28	633-14159-00	.CLIP	1	1	1	
29	5JG-14984-00	.GASKET, FLOAT CHAMBER	1	1	1	
30	3TJ-14191-40	.PLUG, DRAIN	1	1	1	
31	3TJ-14293-40	.COVER 1	1	1	1	
32	5JG-14940-76	.DIAPHRAGM, ACC PUMP (DPH#30)	1	1	1	STD
	5JG-14940-16	.DIAPHRAGM, ACC PUMP (DPH#45)		1	1	AP
	5JG-14940-17	.DIAPHRAGM, ACC PUMP (DPH#35)		1	1	AP
	5JG-14940-18	.DIAPHRAGM, ACC PUMP (DPH#25)		1	1	AP
33	3TJ-14536-40	.GASKET	2	2	2	
34	3TJ-14933-40	.SPRING, DIAPHRAGM	1	1	1	



5UMP100-H100

FIG. 10 CARBURETOR

REF. NO.	PART NO.	DESCRIPTION	1HC2	1HC3	1HC4	REMARKS
35	6H4-14561-00	.O-RING	1	1	1	
36	5XC-14171-00	.PLUNGER, STARTER	1	1	1	
37	5TA-14371-00	.PLUNGER, STARTER	1	1	1	
38	5TA-14335-00	.SPRING, PLUNGER	1	1	1	
39	5TA-14991-00	.SCREW	1	1	1	
40	2S2-14374-00	.CAP, PLUNGER	1	1	1	
41	5TA-14155-00	.GUIDE, CABLE	1	1	1	
42	5TA-14997-00	.SEAL	1	1	1	
43	5JG-14379-00	.ROD, STARTER	1	1	1	
44	3TJ-14564-40	.O-RING	3	3	3	
45	5XC-14922-00	.SCREW, THROTTLE	1	1	1	
46	90201-08410	.WASHER, PLATE	1	1	1	
47	5TA-14934-00	.SPRING, THROTTLE STOP	1	1	1	
48	5XC-85885-00	.THROTTLE SENSOR ASSY	1	1	1	
49	5NX-14562-00	.O-RING	1	1	1	
50	5NX-14216-00	.SCREW	1	1	1	
51	4MX-14561-00	.O-RING	1	1	1	
52	4MX-14115-00	.PLUG, SCREW	1	1	1	
53	3TJ-14137-40	.CLIP	5	5	5	
54	5BE-14146-00	.PLATE	2	2	2	
55	5TA-14261-00	.HOLDER	1	1	1	
56	5UL-14196-00	.PIPE, OVER FLOW 1	2	2	2	
57	5TA-14197-00	.PIPE	2	1	2	
58	5TJ-14987-00	.HOSE	1	1	1	
59	5JG-14346-00	.PLATE	1	1	1	
60	5JG-14565-00	.SCREW	1	1	1	
61	5JG-14531-00	.SPRING, ADJUST SCREW	1	1	1	



5UME100-F110

FIG. 11 AIR INDUCTION SYSTEM

REF. NO.	PART NO.	DESCRIPTION	1HC2	1HC3	1HC4	REMARKS
1	5UM-14871-10	PIPE 1	1	1	1	
2	90450-20078	.HOSE CLAMP ASSY	1	1	1	
3	4KM-14714-01	GASKET, MUFFLER	1	1	1	
4	90109-060E9	BOLT	1	1	1	
5	5UM-14881-00	HOSE, BEND 1	1	1	1	
6	90467-16063	CLIP	2	2	2	
7	5UM-14803-00	AIR INDUCTION SYSTEM ASSY	1	1	1	
8	5UM-14834-E0	STAY	1	1	1	
9	90105-06107	BOLT, FLANGE	2	2	2	
10	90105-06105	BOLT, FLANGE	2	2	2	
11	5UM-14882-00	HOSE, BEND 2	1	1	1	
12	90467-140A4	CLIP	1	1	1	
13	90467-17089	CLIP	1	1	1	
14	90445-08027	HOSE	1	1	1	
15	90467-07138	CLIP	1	1	1	
16	90467-09006	CLIP	1	1	1	

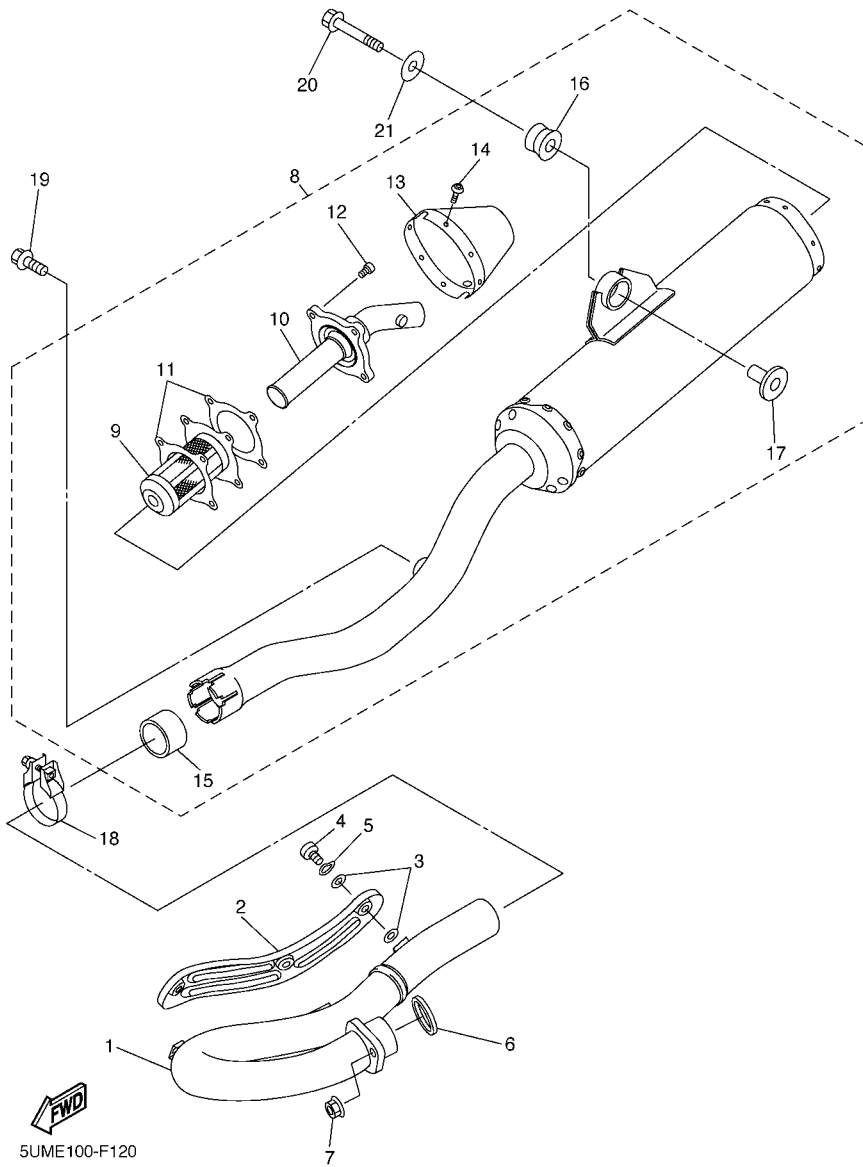
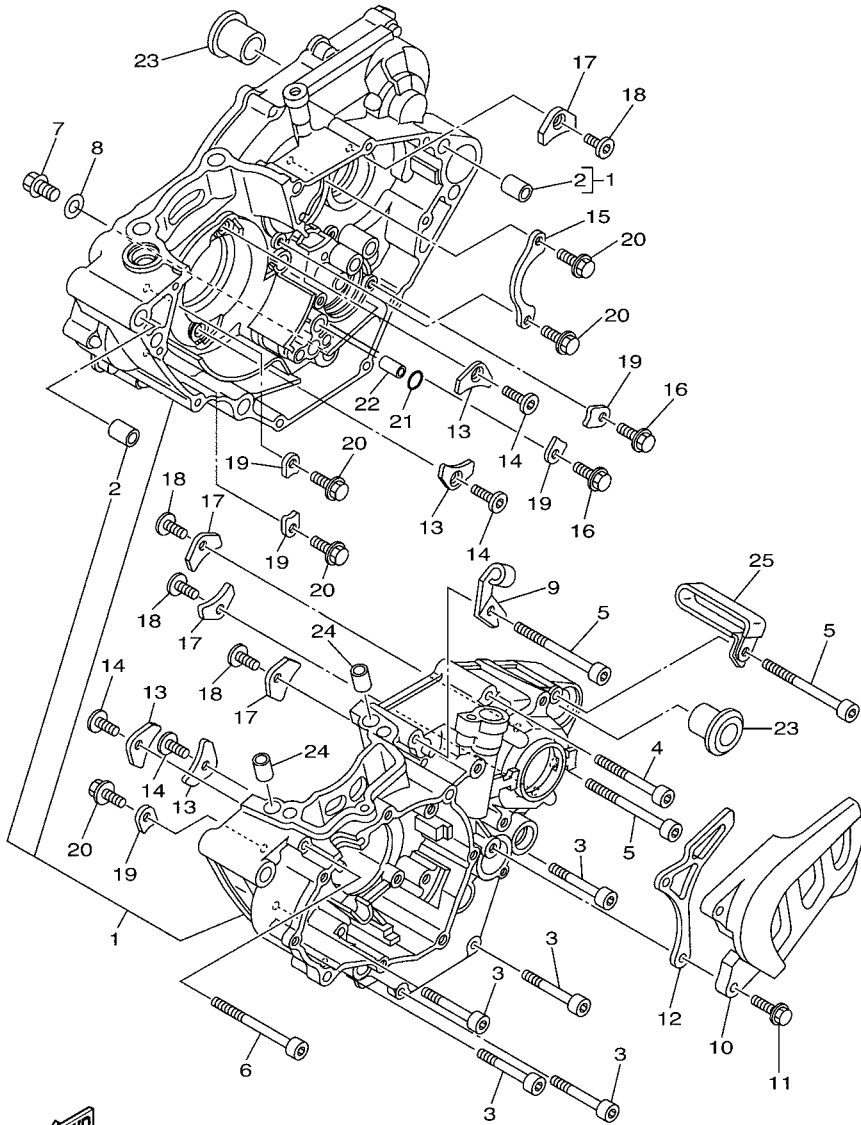


FIG. 12 EXHAUST

REF. NO.	PART NO.	DESCRIPTION	1HC2	1HC3	1HC4	REMARKS
1	5UM-14611-10	PIPE, EXHAUST 1	1	1	1	
2	5XC-14628-00	PROTECTOR, EXHAUST PIPE	1	1	1	
3	4BD-14766-00	WASHER, PROTECTOR	6	6	6	
4	98980-06008	SCREW, BIND	3	3	3	
5	90206-06090	WASHER, WAVE	3	3	3	
6	5NL-14613-00	GASKET, EXHAUST PIPE	1	1	1	
7	95702-08500	NUT, FLANGE	2	2	2	
8	5UM-14710-E0	MUFFLER ASSY 1	1	1	1	
9	5TJ-14780-00	.SPARK ARRESTER ASSY	1	1	1	
10	5TJ-14784-00	.PIPE, TAIL	1	1	1	
11	5TJ-14623-00	.GASKET, EXHAUST PIPE	2	2	2	
12	90110-05041	.BOLT, HEXAGON SOCKET HEAD	4	4	4	
13	5TJ-14799-00	.CAP	1	1	1	
14	92012-05008	.BOLT, BUTTON HEAD	6	6	6	
15	5PH-14714-00	.GASKET, MUFFLER	1	1	1	
16	5BE-14747-00	.DAMPER, MUFFLER	1	1	1	
17	90387-08081	.COLLAR	1	1	1	
18	5BE-14788-00	BAND, SILENCER	1	1	1	
19	90105-08224	BOLT, FLANGE	1	1	1	
20	90105-08137	BOLT, FLANGE	1	1	1	
21	90201-08061	WASHER, PLATE	1	1	1	

FIG. 13 CRANKCASE

REF. NO.	PART NO.	DESCRIPTION	1HC2	1HC3	1HC4	REMARKS
1	5UM-15100-21-YX	CRANKCASE ASSY	1	1	1	
2	93612-16254	.PIN, DOWEL	2	2	2	
3	91312-06045	BOLT	5	5	5	
4	91312-06055	BOLT	1	1	1	
5	91312-06070	BOLT	3	3	3	
6	91312-06100	BOLT	1	1	1	
7	95022-10016	BOLT, FLANGE	1	1	1	
8	90430-10188	GASKET	1	1	1	
9	5NL-15441-01	HOLDER, CLUTCH CABLE	1	1	1	
10	5BE-15421-30	COVER, CRANKCASE 2	1	1	1	
11	90105-06189	BOLT, FLANGE	2	2	2	
12	5NL-17466-00	GUIDE, CHAIN	1	1	1	
	5UM-17466-00	GUIDE, CHAIN		1		STD
	5NL-17466-00	GUIDE, CHAIN		1		AP 13T SPROCKET
13	5BE-15383-01	PLATE, BEARING COVER	4	4	4	
14	90151-06044	SCREW, COUNTERSUNK	4	4	4	
15	5NL-15388-00	PLATE, BEARING COVER	1	1	1	
16	90105-06081	BOLT, FLANGE	2	2	2	
17	4JT-15381-01	PLATE, BEARING COVER	4	4	4	
18	90149-06074	SCREW	4	4	4	
19	5DH-18562-00	PLATE, STOPPER 2	5	5	5	
20	90105-06081	BOLT, FLANGE	5	5	5	
21	93210-10197	O-RING	1	1	1	
22	99530-10114	PIN, DOWEL	1	1	1	
23	90387-18007	COLLAR	2	2	2	
24	99530-10116	PIN, DOWEL	2	2	2	
25	90465-10013	CLAMP	1	1	1	



1HC1110-K130

FIG. 14 CRANKCASE COVER 1

REF. NO.	PART NO.	DESCRIPTION	1HC2	1HC3	1HC4	REMARKS
1	5UM-15411-20	COVER, CRANKCASE 1	1	1	1	
2	90340-27004	PLUG, STRAIGHT SCREW	1	1	1	
3	93210-27370	O-RING	1	1	1	
4	90340-14015	PLUG, STRAIGHT SCREW	1	1	1	
5	93210-14369	O-RING	1	1	1	
6	3Y1-15363-10	PLUG, OIL	1	1	1	
7	93210-19123	O-RING	1	1	1	
8	5UM-15451-00	GASKET, CRANKCASE COVER 1	1	1	1	
9	99530-08016	PIN, DOWEL	2	2	2	
10	95022-06040	BOLT, FLANGE	2	2	2	
11	95022-06030	BOLT, FLANGE	4	4	4	
12	91312-06110	BOLT	1	1	1	
13	5UM-1549B-20	COVER ASSY 2	1	1	1	
14	93210-60426	O-RING	1	1	1	
15	95022-06016	BOLT, FLANGE	3	3	3	
16	5XC-15431-01	COVER, CRANKCASE 3	1	1	1	
17	93101-14164	OIL SEAL	1	1	1	
18	90201-15701	WASHER, PLATE (T=1.0)	1	1	1	
19	99009-22500	CIRCLIP	1	1	1	
20	5XC-15373-00	PIPE, BREATHER	1	1	1	
21	5NL-15462-00	GASKET, CRANKCASE COVER 3	1	1	1	
22	91812-16001	PIN, DOWEL	2	2	2	
23	95022-06035	BOLT, FLANGE	8	8	8	
24	5NL-12564-00	PIPE, WATER	2	2	2	
25	93210-16716	O-RING	2	2	2	
26	5NL-15415-30	COVER, GENERATOR	1	1	1	
27	95022-06025	BOLT, FLANGE	4	4	4	

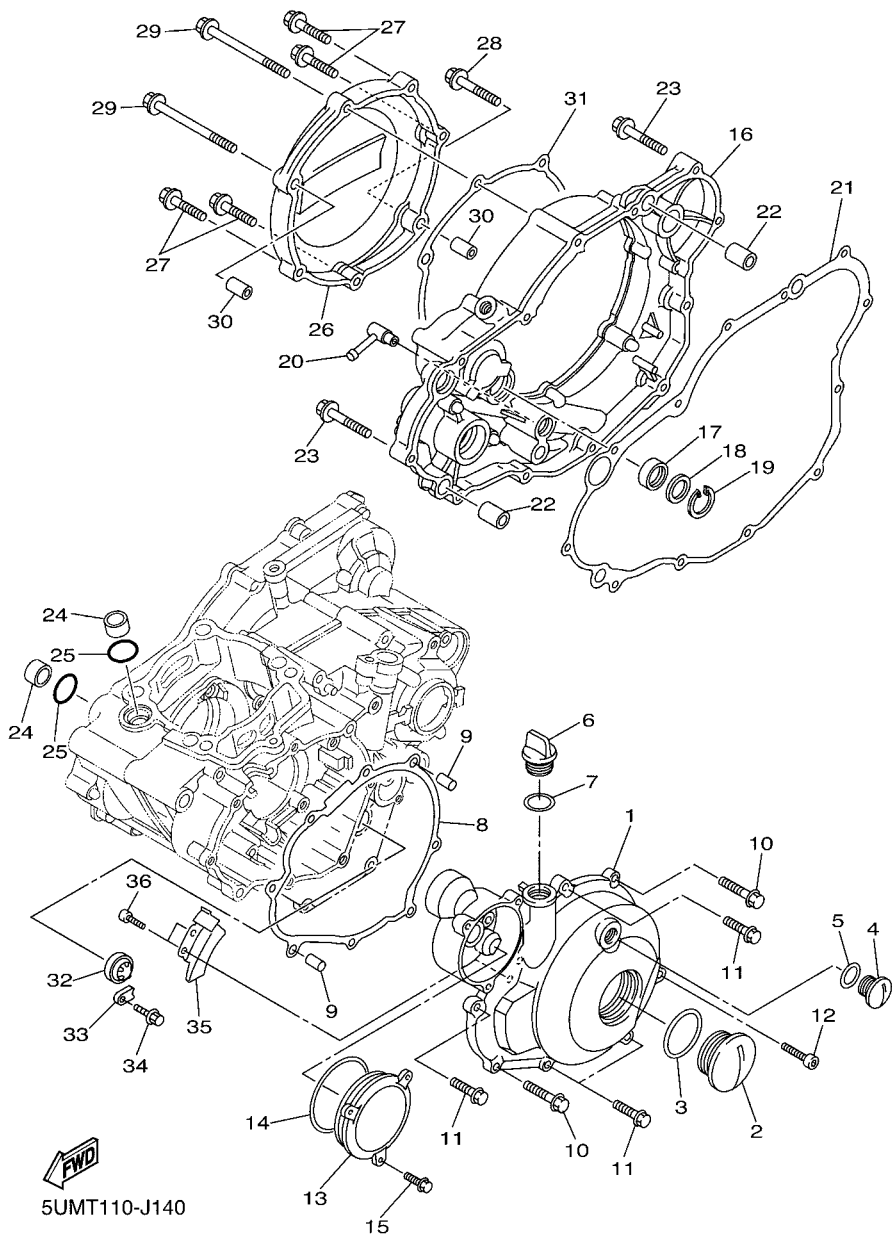
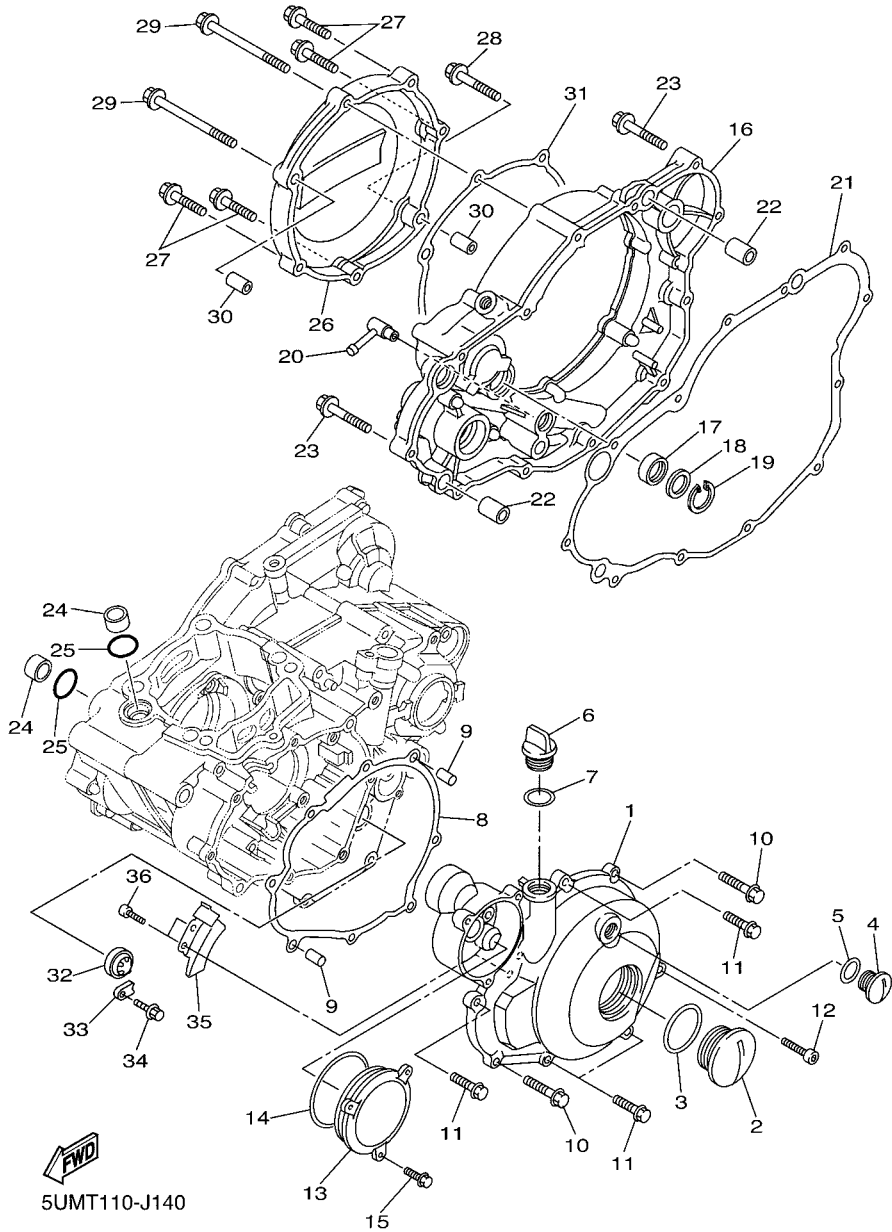


FIG. 14 CRANKCASE COVER 1

REF. NO.	PART NO.	DESCRIPTION	1HC2	1HC3	1HC4	REMARKS
28	95022-06035	BOLT, FLANGE	1	1	1	
29	90105-06098	BOLT, FLANGE	2	2	2	
30	99530-08016	PIN, DOWEL	2	2	2	
31	5NL-15453-10	GASKET	1	1	1	
32	3Y1-15361-00	GAUGE, LEVEL	1	1	1	
33	5XC-15118-00	HOLDER	1	1	1	
34	90105-06094	BOLT, FLANGE	1	1	1	
35	5UM-81528-00	CLAMP 1	1	1	1	
36	91312-05012	BOLT	2	2	2	



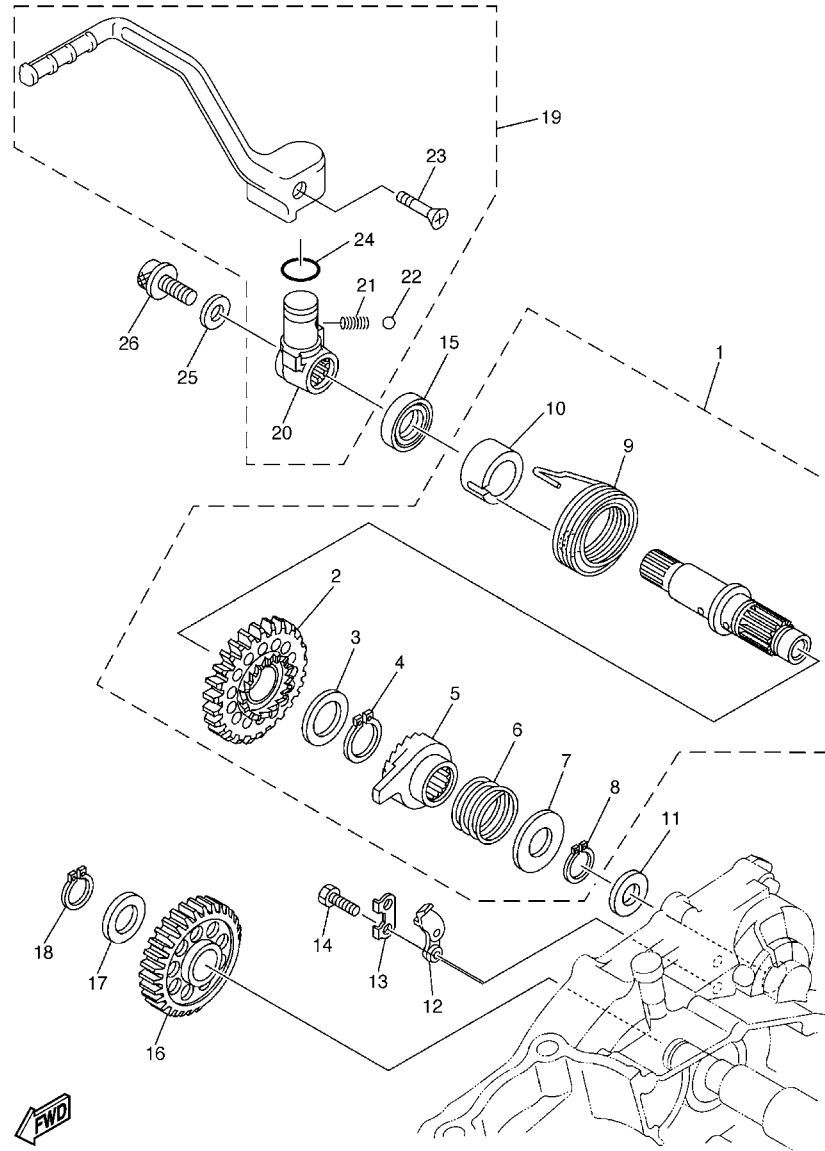


FIG. 15 STARTER

REF. NO.	PART NO.	DESCRIPTION	1HC2	1HC3	1HC4	REMARKS
1	5NL-15601-20	KICK SHAFT ASSY	1	1	1	
2	5NL-15641-20	.GEAR, KICK	1	1	1	
3	90201-20685	.WASHER, PLATE (T=0.5)	1	1	1	
4	93410-20038	.CIRCLIP	1	1	1	
5	2S2-15671-00	.WHEEL, RATCHET	1	1	1	
6	90501-160A2	.SPRING, COMPRESSION	1	1	1	
7	90201-167P7	.WASHER, PLATE	1	1	1	
8	99009-16400	.CIRCLIP	1	1	1	
9	90508-30743	.SPRING, TORSION	1	1	1	
10	5NL-15664-00	.GUIDE, SPRING	1	1	1	
11	90201-162H4	WASHER, PLATE	1	1	1	
12	5SG-15668-00	STOPPER	1	1	1	
13	214-15686-00	WASHER, LOCK	1	1	1	
14	90101-06044	BOLT	2	2	2	
15	93102-18278	OIL SEAL	1	1	1	
16	5NL-15651-00	GEAR, KICK IDLE	1	1	1	
17	90201-177G4	WASHER, PLATE	1	1	1	
18	99009-17400	CIRCLIP	1	1	1	
19	5XC-15620-10	KICK CRANK ASSY	1	1	1	
20	5XC-15621-10	.BOSS, KICK CRANK	1	1	1	
21	90501-147A5	.SPRING, COMPRESSION	1	1	1	
22	93507-32009	.BALL	1	1	1	
23	90152-06010	.SCREW, COUNTERSUNK	1	1	1	
24	93210-17570	.O-RING	1	1	1	
25	90201-08048	WASHER, PLATE	1	1	1	
26	90110-08051	BOLT, HEXAGON SOCKET HEAD	1	1	1	

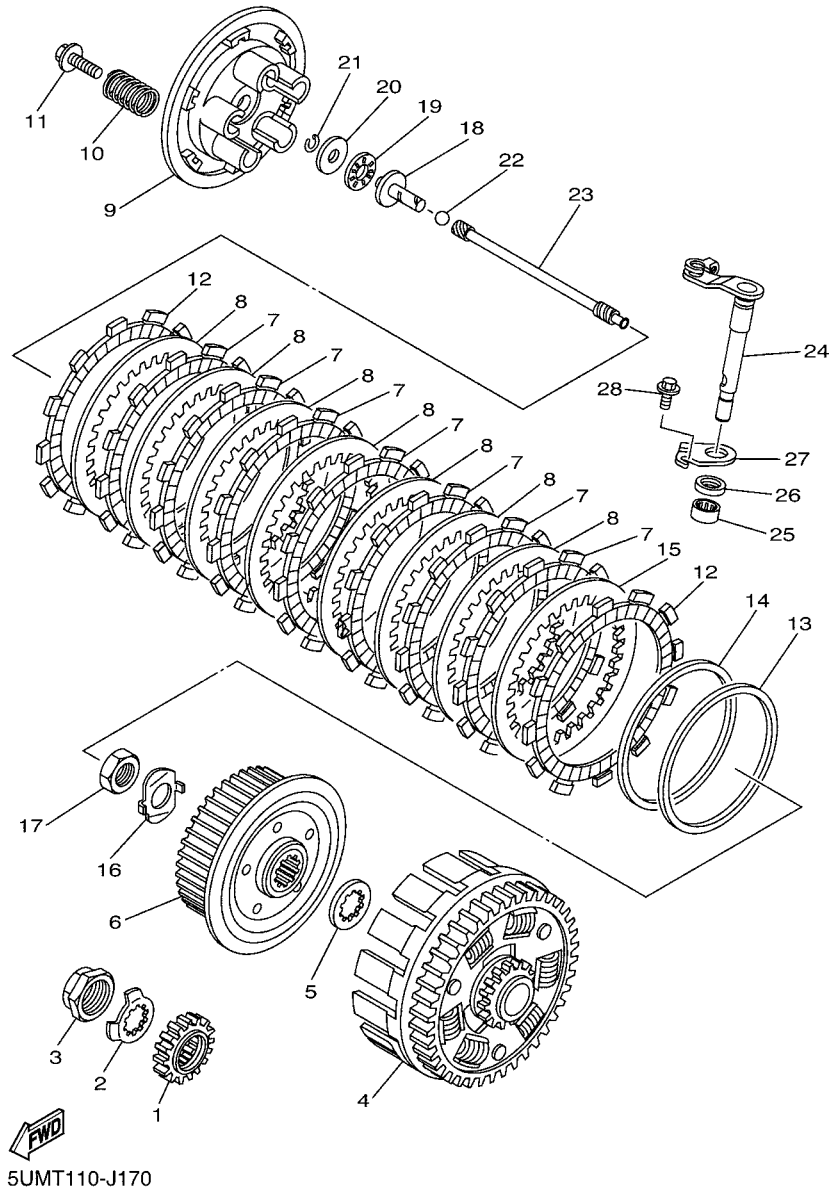


FIG. 17 CLUTCH

REF. NO.	PART NO.	DESCRIPTION	1HC2	1HC3	1HC4	REMARKS
1	5NL-16111-01	GEAR, PRIMARY DRIVE	1	1	1	
2	90215-20003	WASHER, LOCK	1	1	1	
3	90179-18001	NUT	1	1	1	
4	5XC-16150-00	PRIMARY DRIVEN GEAR COMP.	1	1	1	
5	5NL-16154-00	PLATE, THRUST 1	1	1	1	
6	5NL-16371-01	BOSS, CLUTCH	1	1	1	
7	5DH-16321-00	PLATE, FRICTION	7	7	7	
8	5NL-16325-00	PLATE, CLUTCH 2	7	7	7	
9	5HD-16351-00	PLATE, PRESSURE 1	1	1	1	
10	90501-220A0	SPRING, COMPRESSION	5	5	5	
11	90159-06092	SCREW, WITH WASHER	5	5	5	
12	3XJ-16321-00	PLATE, FRICTION	2	2	2	
13	5NL-16384-00	PLATE, SEAT	1	1	1	
14	5NL-16383-10	SPRING, CUSHION	1	1	1	
15	5NL-16325-10	PLATE, CLUTCH 2	1	1	1	
16	90215-16289	WASHER, LOCK	1	1	1	
17	90170-16326	NUT	1	1	1	
18	5XC-16356-00	ROD, PUSH 1	1	1	1	
19	93340-21008	BEARING	1	1	1	
20	90201-080H1	WASHER, PLATE	1	1	1	
21	93440-07182	CIRCLIP	1	1	1	
22	93511-32027	BALL	1	1	1	
23	5NL-16357-10	ROD, PUSH 2	1	1	1	
24	5XC-16381-10	PUSH LEVER COMP.	1	1	1	
25	93317-11287	BEARING	1	1	1	
26	93102-12224	OIL SEAL	1	1	1	
27	4JT-16384-00	PLATE, SEAT	1	1	1	

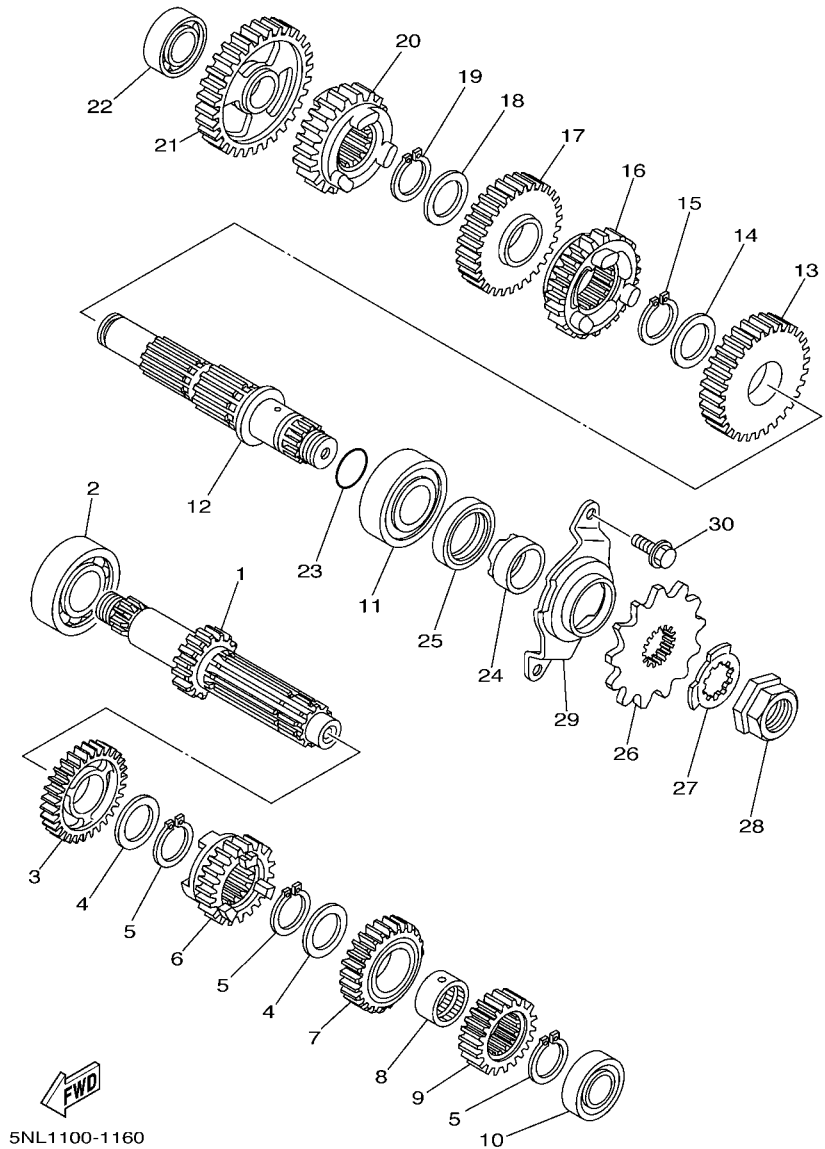


FIG. 18 TRANSMISSION

REF. NO.	PART NO.	DESCRIPTION	1HC2	1HC3	1HC4	REMARKS
1	5UM-17411-00	AXLE, MAIN (13T)	1	1	1	
2	93306-20447	BEARING	1	1	1	
3	5UM-17151-00	GEAR,5TH PINION (19T)	1	1	1	
4	90209-20008	WASHER	2	2	2	
5	93410-22039	CIRCLIP	3	3	3	
6	5UM-17131-00	GEAR,3RD PINION (17T)	1	1	1	
7	5UM-17141-00	GEAR, 4TH PINION (21T)	1	1	1	
8	90387-20006	COLLAR	1	1	1	
9	5NL-17121-00	GEAR, 2ND PINION (16T)	1	1	1	
10	93306-00320	BEARING	1	1	1	
11	93306-27208	BEARING	1	1	1	
12	5NL-17402-01	DRIVE AXLE ASSY	1	1	1	
13	5NL-17221-00	GEAR, 2ND WHEEL (28T)	1	1	1	
14	90209-23012	WASHER	1	1	1	
15	93410-26067	CIRCLIP	1	1	1	
16	5UM-17241-00	GEAR, 4TH WHEEL (23T)	1	1	1	
17	5UM-17231-00	GEAR,3RD WHEEL (23T)	1	1	1	
18	90209-20008	WASHER	1	1	1	
19	93410-22039	CIRCLIP	1	1	1	
20	5UM-17251-00	GEAR,5TH WHEEL (17T)	1	1	1	
21	5PH-17211-00	GEAR,1ST WHEEL (31T)	1	1	1	
22	93306-00317	BEARING	1	1	1	
23	93210-196A4	O-RING	1	1	1	
24	90387-22001	COLLAR	1	1	1	
25	93102-28010	OIL SEAL	1	1	1	
26	9383B-13218	SPROCKET, DRIVE (13T)	1	1	1	
	9383B-14222	SPROCKET, DRIVE (14T)		1		STD

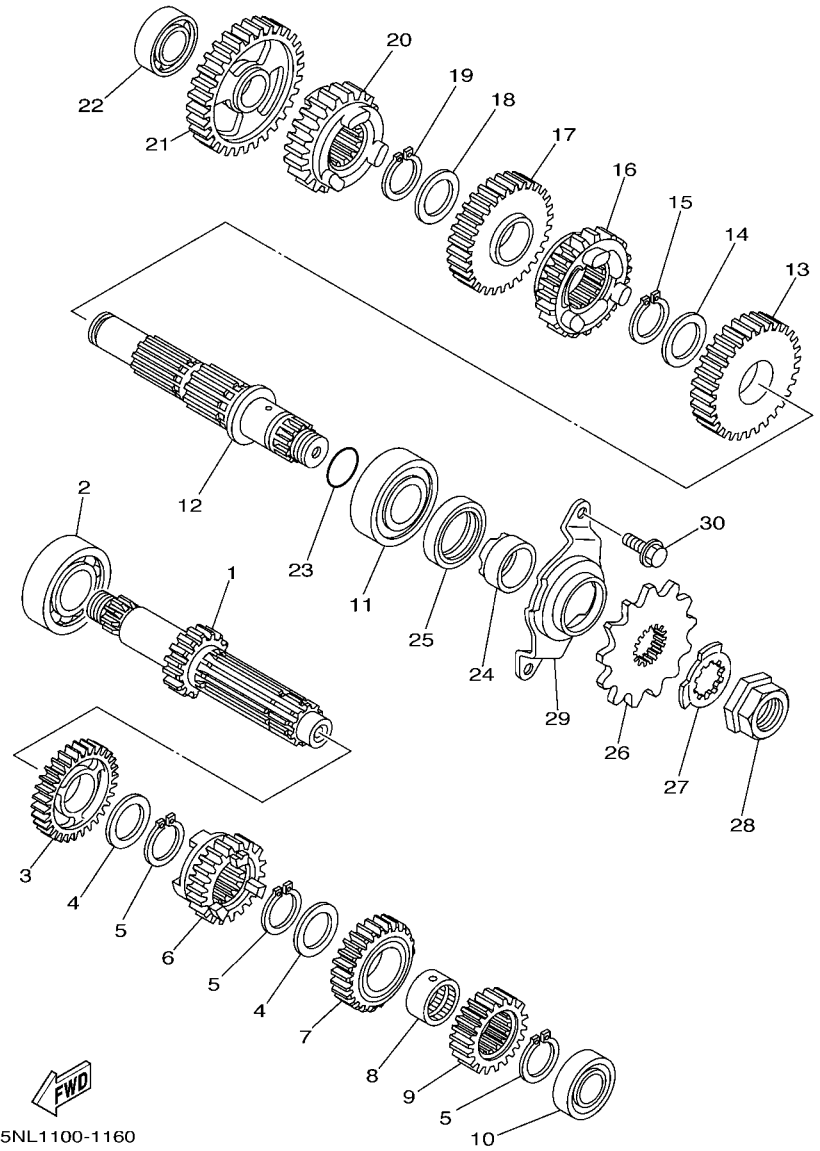
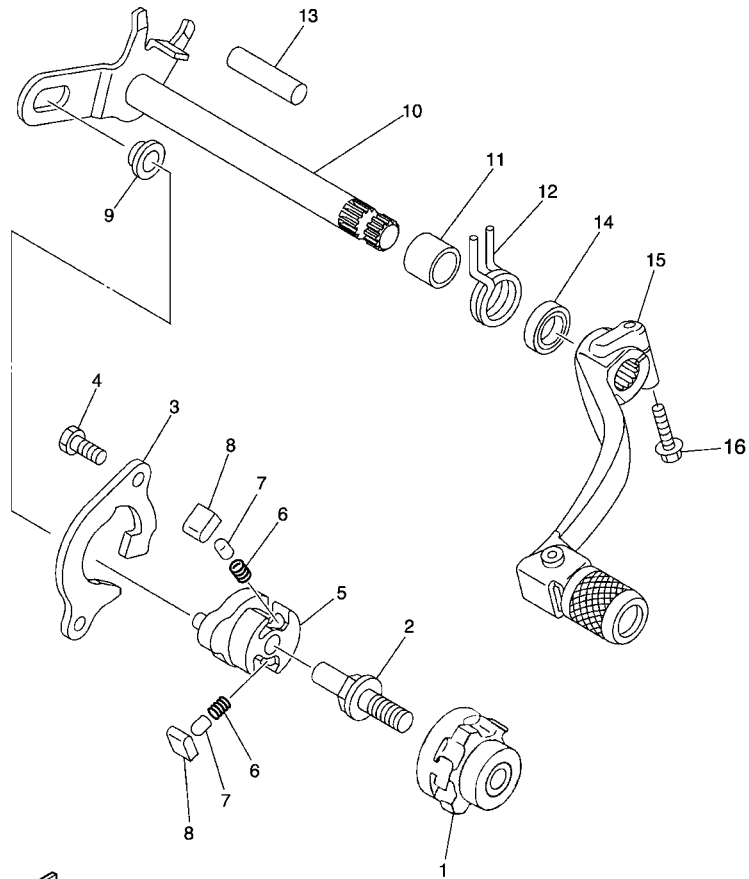


FIG. 18 TRANSMISSION

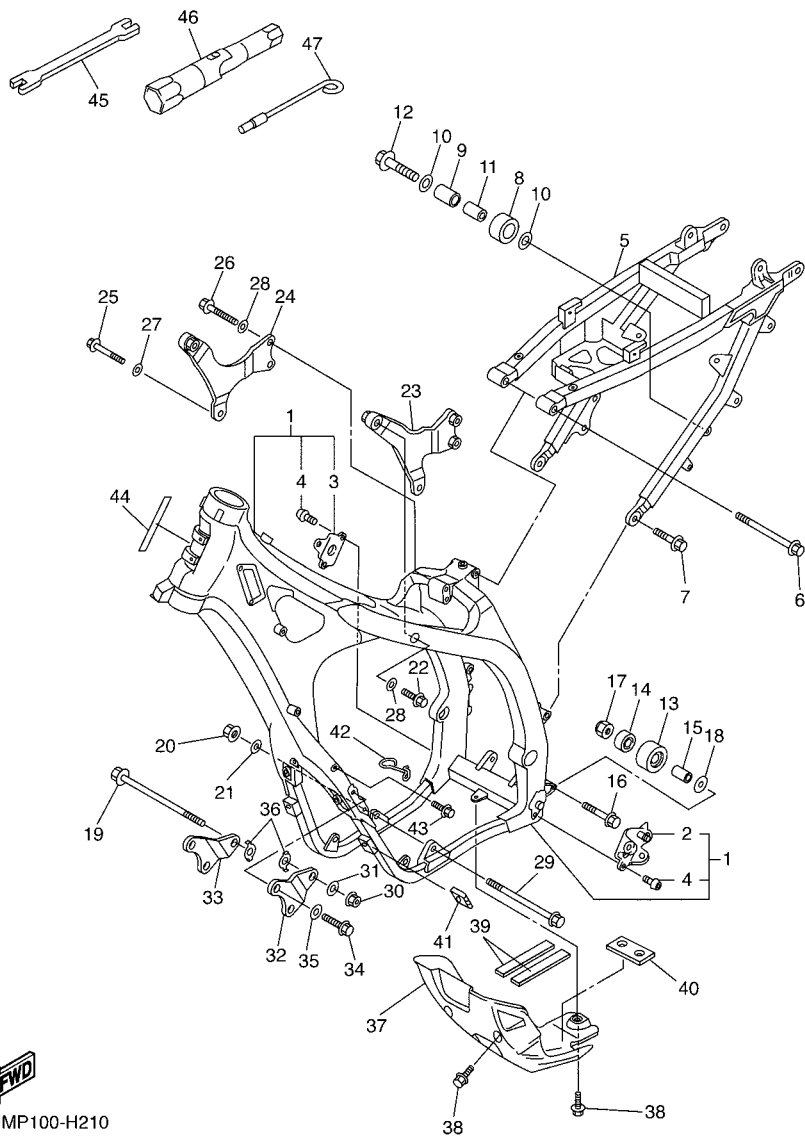
REF. NO.	PART NO.	DESCRIPTION	1HC2	1HC3	1HC4	REMARKS
26	9383B-13218	SPROCKET, DRIVE (13T)		1		AP
27	90215-20003	WASHER, LOCK	1	1	1	
28	90179-18001	NUT	1	1	1	
29	5NL-17471-10	PLATE, COVER	1	1	1	
30	90105-06081	BOLT, FLANGE	2	2	2	



5UME100-F200

FIG. 20 SHIFT SHAFT

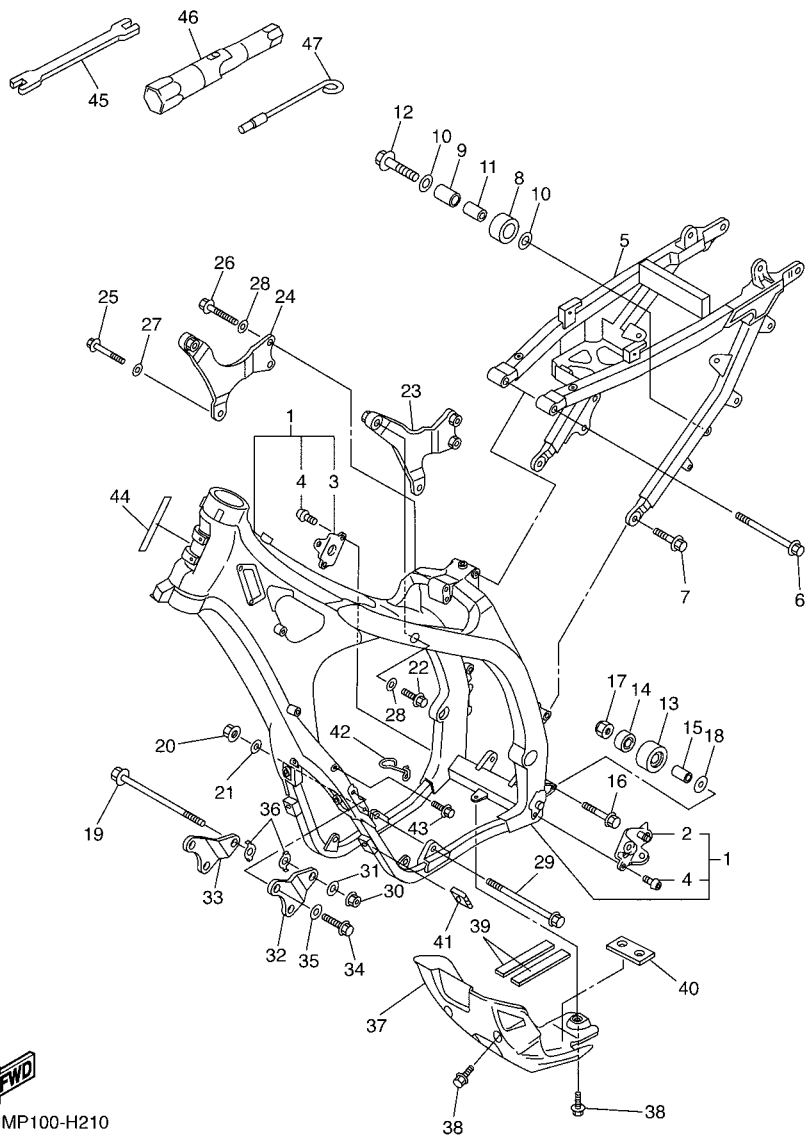
REF. NO.	PART NO.	DESCRIPTION	1HC2	1HC3	1HC4	REMARKS
1	2S2-18185-00	SEGMENT	1	1	1	
2	3XJ-18173-10	PIN, SHIFT	1	1	1	
3	5BE-18172-00	GUIDE, SHIFT	1	1	1	
4	90101-06041	BOLT	2	2	2	
5	5LP-18122-01	LEVER, SHIFT 2	1	1	1	
6	90501-052G5	SPRING, COMPRESSION	2	2	2	
7	3XJ-18184-00	PIN, PAWL	2	2	2	
8	3XJ-18182-00	PAWL, SHIFTER	2	2	2	
9	3XJ-18178-00	ROLLER, SHIFT LEVER	1	1	1	
10	5UL-18101-10	SHIFT SHAFT ASSY	1	1	1	
11	90387-124F4	COLLAR	1	1	1	
12	90508-291A8	SPRING, TORSION	1	1	1	
13	93608-33002	PIN, DOWEL	1	1	1	
14	93102-12224	OIL SEAL	1	1	1	
15	5XC-18110-00	SHIFT PEDAL ASSY	1	1	1	
16	90105-06127	BOLT, FLANGE	1	1	1	



5UMP100-H210

FIG. 21 FRAME

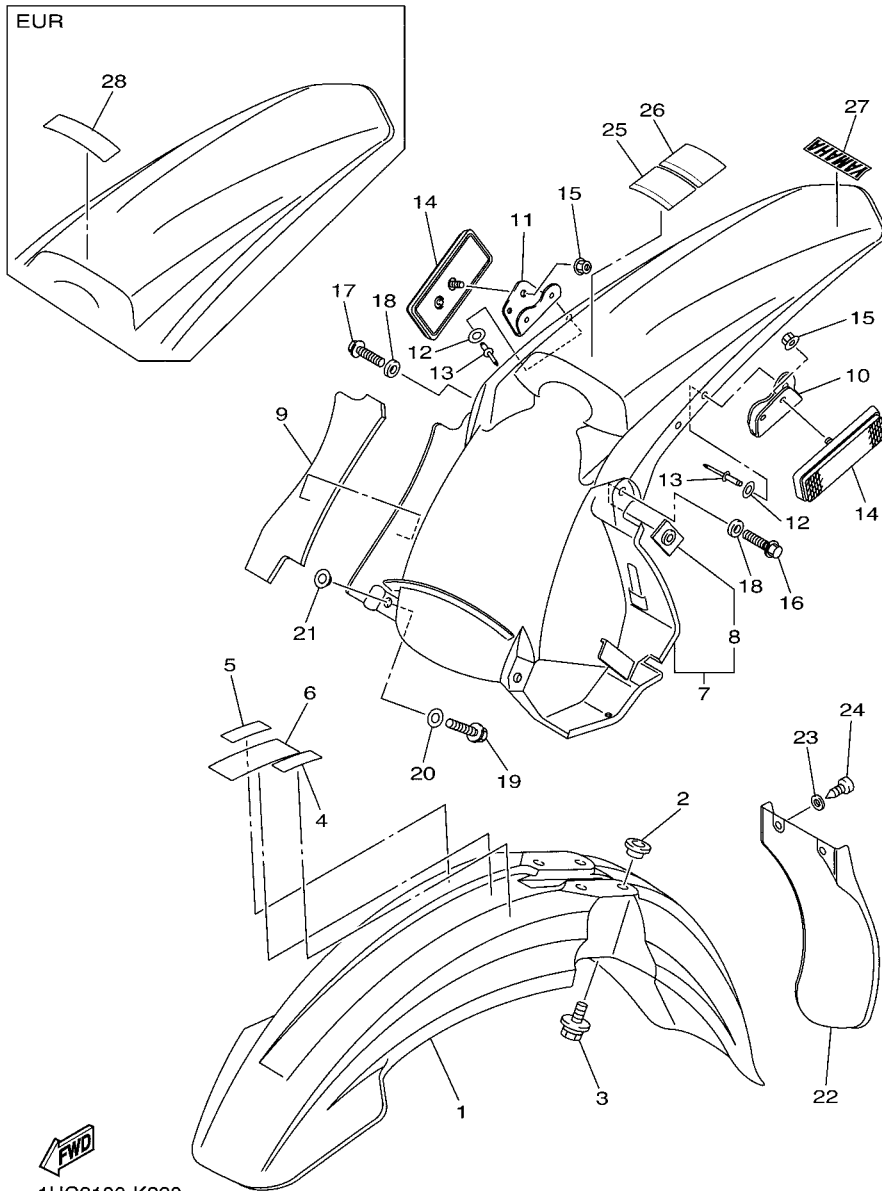
REF. NO.	PART NO.	DESCRIPTION	1HC2	1HC3	1HC4	REMARKS
1	5UM-21101-E0	FRONT FRAME COMP.	1	1	1	
2	5UM-21447-E0	.BRACKET, FOOTREST	1	1	1	
3	1C3-21448-10	.BRACKET, FOOTREST	1	1	1	
4	90149-10031	.SCREW	4	4	4	
5	5UM-21190-E0	REAR FRAME COMP.	1	1	1	
6	90105-08156	BOLT, FLANGE	1	1	1	
7	90105-08307	BOLT, FLANGE	2	2	2	
8	30X-22178-00	TENSIONER	1	1	1	
9	4V4-22184-00	BUSH	1	1	1	
10	90201-08045	WASHER, PLATE	2	2	2	
11	90387-08041	COLLAR	1	1	1	
12	95022-08040	BOLT, FLANGE	1	1	1	
13	3JD-22178-20	TENSIONER	1	1	1	
14	93300-60839	BEARING	1	1	1	
15	90387-086N4	COLLAR	1	1	1	
16	90105-08133	BOLT, FLANGE	1	1	1	
17	90185-08009	NUT, SELF-LOCKING	1	1	1	
18	90201-08043	WASHER, PLATE	1	1	1	
19	90105-10174	BOLT, FLANGE	1	1	1	
20	90179-10658	NUT	1	1	1	
21	90201-10045	WASHER, PLATE	1	1	1	
22	90105-08150	BOLT, FLANGE	2	2	2	
23	5UM-21425-E0	BRACKET, REAR UPPER 1	1	1	1	
24	5UM-21426-E0	BRACKET, REAR UPPER 2	1	1	1	
25	90105-10191	BOLT, FLANGE	1	1	1	
26	90105-08147	BOLT, FLANGE	2	2	2	
27	90201-10045	WASHER, PLATE	1	1	1	



5UMP100-H210

FIG. 21 FRAME

REF. NO.	PART NO.	DESCRIPTION	1HC2	1HC3	1HC4	REMARKS
28	92902-08200	WASHER	4	4	4	
29	90105-10176	BOLT, FLANGE	1	1	1	
30	90179-10658	NUT	1	1	1	
31	90201-10045	WASHER, PLATE	1	1	1	
32	5UM-21417-E0	BRACKET, FRONT LOWER 1	1	1	1	
33	5UM-21418-E0	BRACKET, FRONT LOWER 2	1	1	1	
34	90105-08143	BOLT, FLANGE	4	4	4	
35	92902-08200	WASHER	4	4	4	
36	5XC-21456-90	PLATE, PATCH	2	2	2	
37	5UM-2147A-E0	GUARD, ENGINE 1	1	1	1	
38	90119-06166	BOLT, WITH WASHER	3	3	3	
39	5UM-21486-E0	DAMPER 2	2	2	2	
40	5UM-21485-E0	DAMPER, RUBBER 1	1	1	1	
41	5UM-21455-E0	PLATE, PATCH	2	2	2	
42	5XC-21288-90	GUIDE, CABLE	1	1	1	
43	90105-05014	BOLT, FLANGE	1	1	1	
44	5UM-21268-E0	SEAL	1	1	1	
45	5ET-28166-10	WRENCH, HEXAGON	1	1	1	
46	5TA-2814F-00	BOX, SPARK PLUG	1	1	1	
47	5XC-28116-00	TOOL, SPECIAL	1	1		



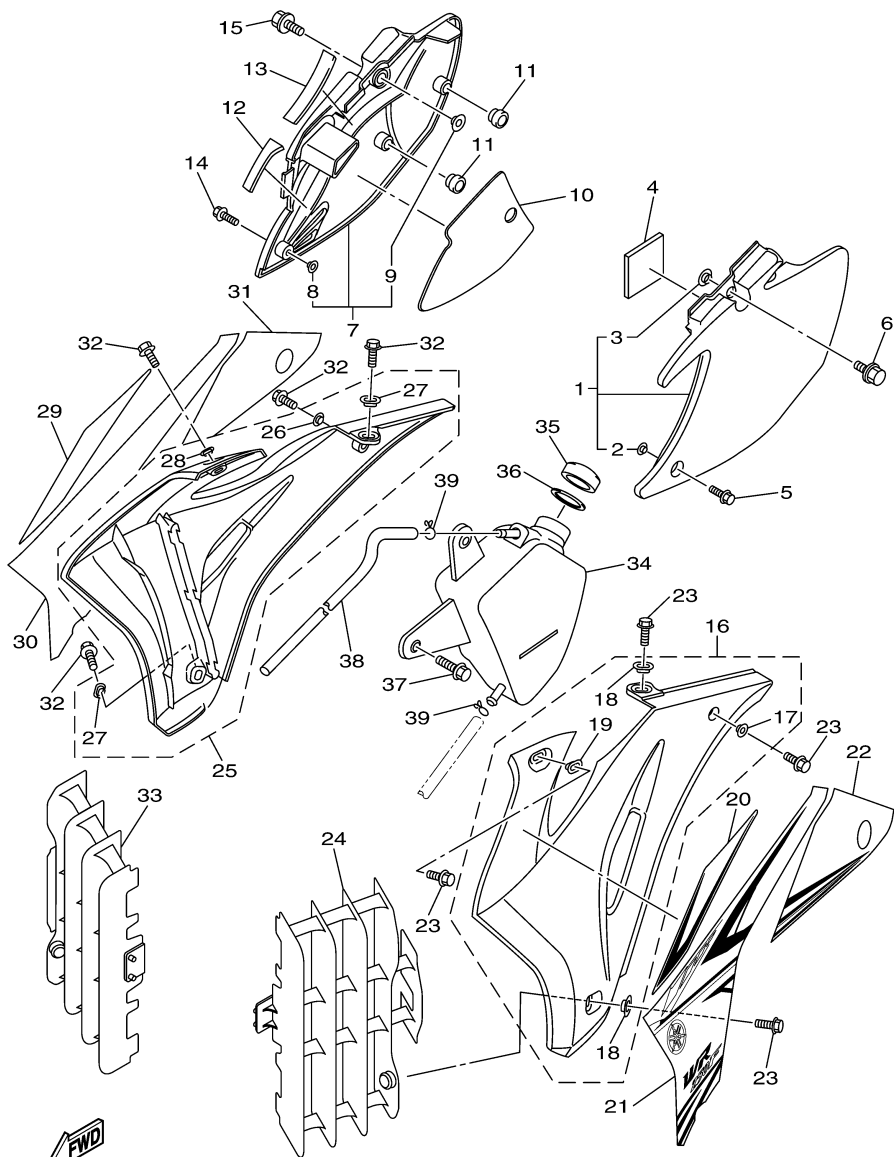
1HC2100-K220

FIG. 22 FENDER

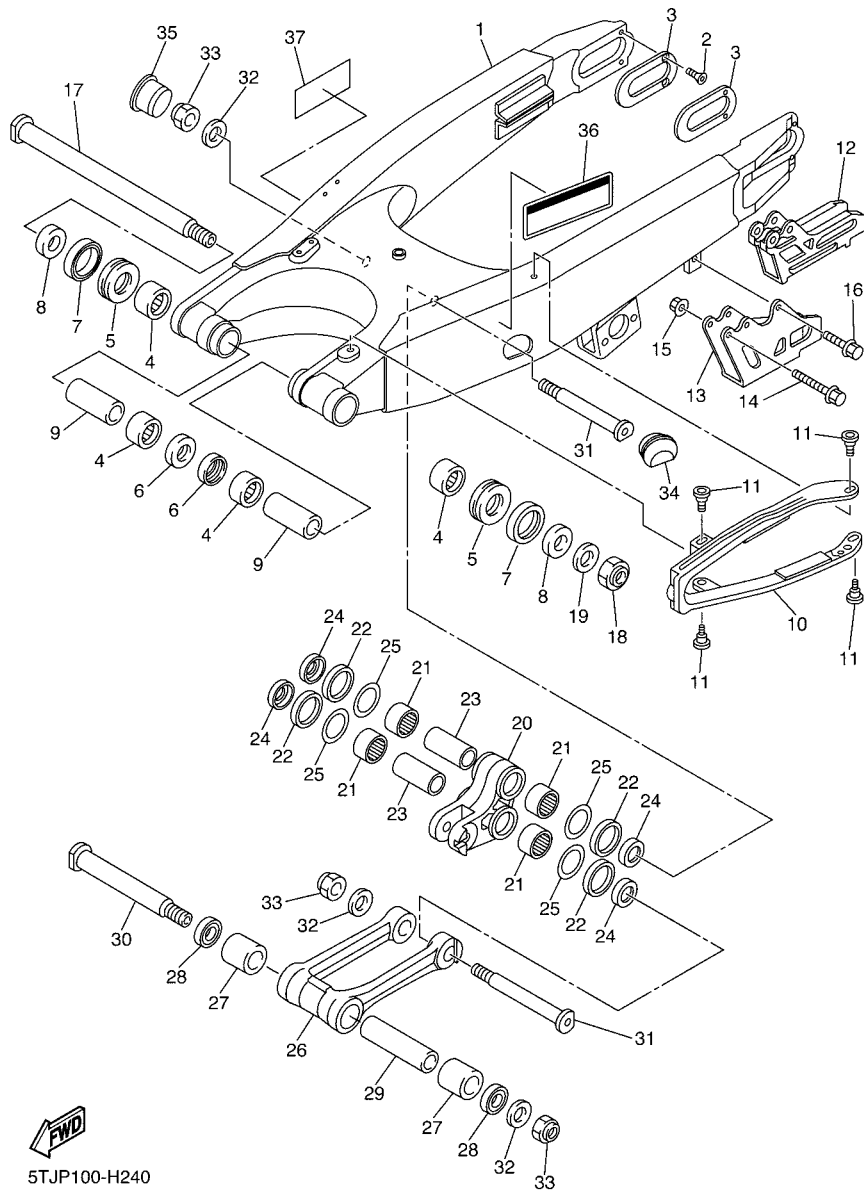
REF. NO.	PART NO.	DESCRIPTION	1HC2	1HC3	1HC4	REMARKS
1	1C3-21511-51	FENDER, FRONT	1	1	1	
2	90387-06090	COLLAR	4	4	4	
3	90119-06147	BOLT, WITH WASHER	4	4	4	
4	3FB-2415E-02	LABEL, CAUTION	1			
5	3FB-2415E-12	LABEL, CAUTION	1			
6	3PT-2416E-10	LABEL, CAUTION CANADA	1			
7	5TJ-21610-U0	REAR FENDER COMP.	1			
	5UM-21610-E0	REAR FENDER COMP.		1	1	
8	5XE-21635-10	.NUT, REAR FENDER	2	2	2	
9	5UM-2174T-E0	INSULATOR, SIDE COVER 2	1	1	1	
10	5TJ-2164F-U0	STAY 1	1			
11	5TJ-2164G-U0	STAY 2	1			
12	90201-04018	WASHER, PLATE	4			
13	90267-40129	RIVET, BLIND	4			
14	3Y6-85130-02	REAR REFLECTOR ASSY	2			
15	95602-05200	NUT, SELF-LOCKING	2			
16	90105-06127	BOLT, FLANGE	1	1	1	
17	90105-06100	BOLT, FLANGE	1	1	1	
18	90201-06032	WASHER, PLATE	2	2	2	
19	90105-06106	BOLT, FLANGE	2	2	2	
20	90201-06571	WASHER, PLATE	2	2	2	
21	90387-06009	COLLAR	2	2	2	
22	5TA-21642-00	GUARD, FLAP	1	1	1	
23	90201-06084	WASHER, PLATE	2	2	2	
24	97702-60016	SCREW, TAPPING	2	2	2	
25	5PA-2118K-00	LABEL, CAUTION	1		1	
26	5PA-2118K-10	LABEL, CAUTION	1			

FIG. 23 SIDE COVER

REF. NO.	PART NO.	DESCRIPTION	1HC2	1HC3	1HC4	REMARKS
1	5UM-21711-E0	COVER, SIDE 1	1	1	1	
4	5UM-21717-E0	DAMPER	1	1	1	
5	90105-06103	BOLT, FLANGE	1	1	1	
6	90119-08095	BOLT, WITH WASHER	1	1	1	
7	5UM-21721-E0	COVER, SIDE 2	1	1	1	
10	5UM-2174A-E0	INSULATOR, SIDE COVER	1	1	1	
11	5XC-21719-90	GROMMET	2	2	2	
12	5UM-2172S-E0	INSULATOR 3	1	1	1	
13	5UM-2173S-E0	INSULATOR 4	1	1	1	
14	90105-06103	BOLT, FLANGE	1	1	1	
15	90119-08095	BOLT, WITH WASHER	1	1	1	
16	5UM-21730-E0	SIDE COVER ASSY 3	1	1	1	
20	1HB-2173E-00	GRAPHIC, 1	1	1	1	
21	1HC-2174G-00	GRAPHIC, 3	1	1	1	
22	1HB-2174J-00	GRAPHIC, 5	1	1	1	
23	90105-06064	BOLT, FLANGE	4	4	4	
24	2S2-2172A-70	PANEL 1	1	1	1	
25	5UM-21740-E0	SIDE COVER ASSY 4	1	1	1	
29	1HB-2173F-00	GRAPHIC, 2	1	1	1	
30	1HC-2174H-00	GRAPHIC, 4	1	1	1	
31	1HB-2174K-00	GRAPHIC, 6	1	1	1	
32	90105-06064	BOLT, FLANGE	4	4	4	
33	2S2-2172A-80	PANEL 1	1	1	1	
34	5UM-21860-E0	TANK ASSY	1	1	1	
35	26H-21875-00	CAP	1	1	1	
36	26H-21874-00	GASKET	1	1	1	
37	90119-06146	BOLT, WITH WASHER	1	1	1	



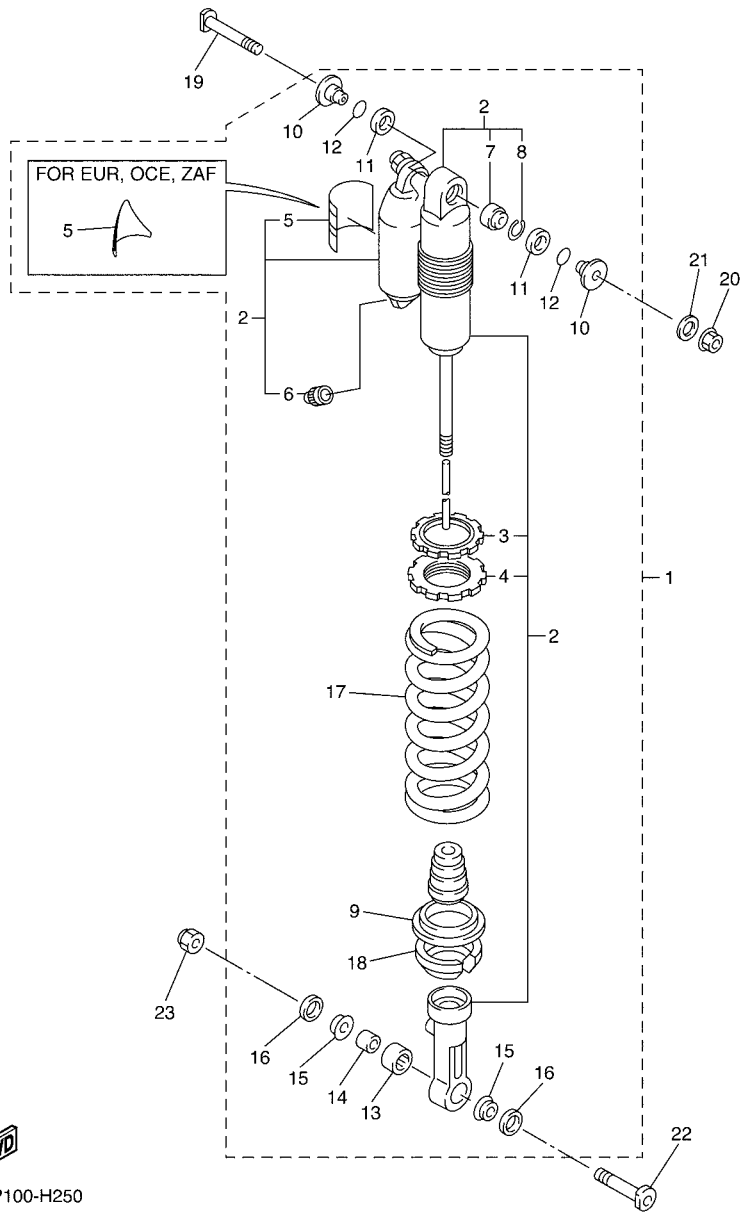
1HC1110-K231



5TJP100-H240

FIG. 24 REAR ARM

REF. NO.	PART NO.	DESCRIPTION	1HC2	1HC3	1HC4	REMARKS
1	1C3-22110-90	REAR ARM COMP.	1	1	1	
2	90151-04003	SCREW, COUNTERSUNK	4	4	4	
3	1P8-22355-00	PATCH	2	2	2	
4	93317-22262	BEARING	4	4	4	
5	93342-22217	BEARING	2	2	2	
6	93106-22002	OIL SEAL	2	2	2	
7	93109-28043	OIL SEAL	2	2	2	
8	90387-18012	COLLAR	2	2	2	
9	90387-18004	COLLAR	2	2	2	
10	2S2-22151-70	SEAL, GUARD	1	1	1	
11	1C3-22969-90	SCREW, 1	4	4	4	
12	5UM-22199-E0	SUPPORT, CHAIN	1	1	1	
13	2S2-22128-70	COVER, THRUST 1	1	1	1	
14	90105-06104	BOLT, FLANGE	2	2	2	
15	90179-06028	NUT	2	2	2	
16	90105-06105	BOLT, FLANGE	1	1	1	
17	1C3-22141-10	SHAFT, PIVOT	1	1	1	
18	90185-16002	NUT, SELF-LOCKING	1	1	1	
19	90201-16018	WASHER, PLATE	1	1	1	
20	5XC-2217A-90	ARM, RELAY	1	1	1	
21	93315-32166	BEARING	4	4	4	
22	93109-25001	OIL SEAL	4	4	4	
23	90387-16025	COLLAR	2	2	2	
24	90209-16011	WASHER	4	4	4	
25	90201-21014	WASHER, PLATE	4	4	4	
26	5XC-2217F-90	ROD, CONNECTING 1	1	1	1	
27	93315-32269	BEARING	2	2	2	



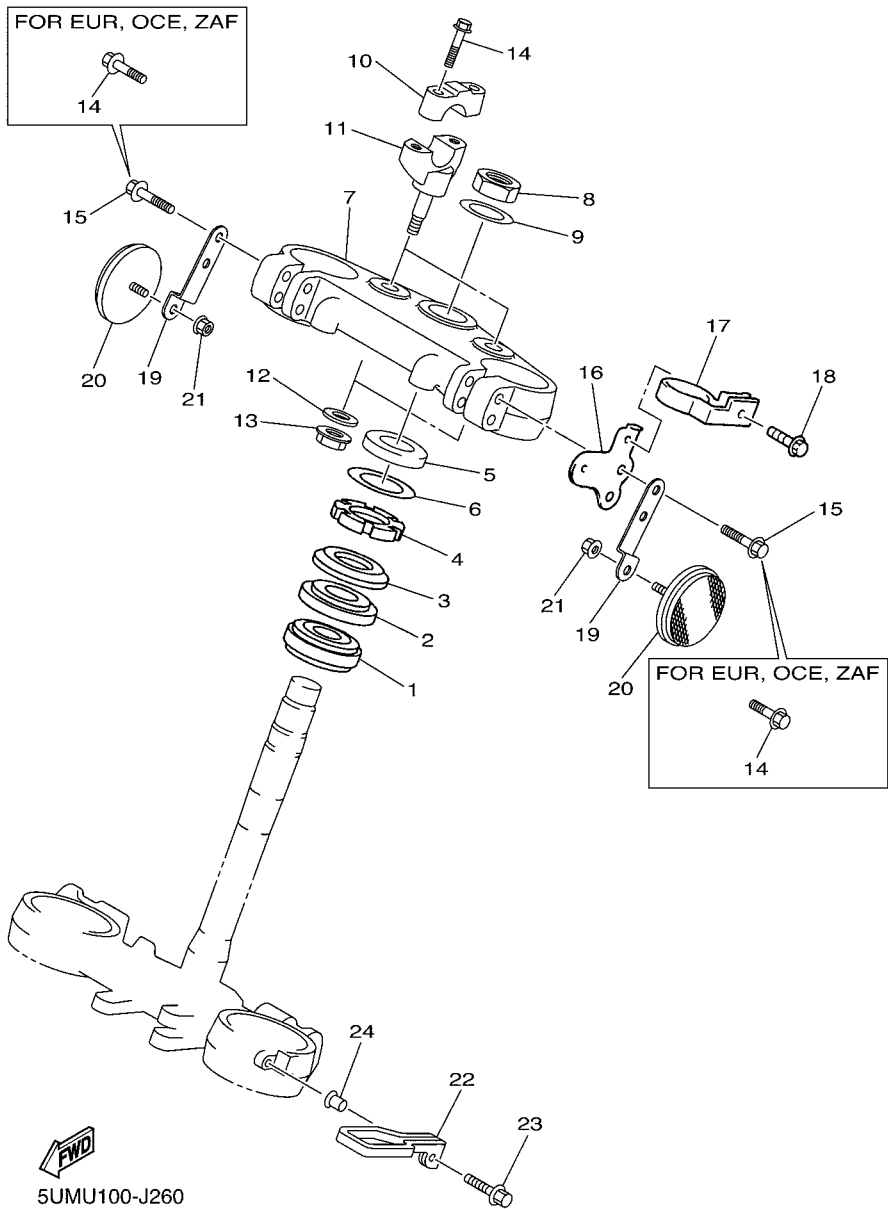
5TJP100-H250

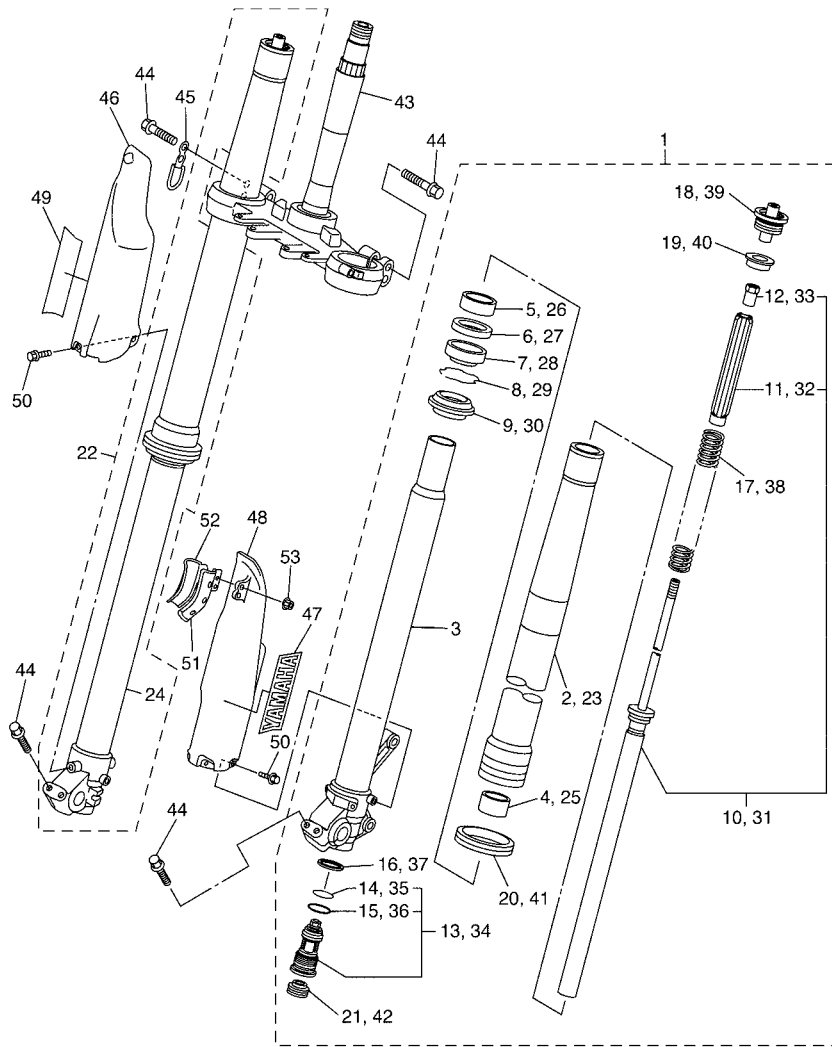
FIG. 25 REAR SUSPENSION

REF. NO.	PART NO.	DESCRIPTION	1HC2	1HC3	1HC4	REMARKS
1	5UM-22210-21	SHOCK ABSORBER ASSY, REAR	1			
	5UM-22210-F1	SHOCK ABSORBER ASSY, REAR		1		
	5UM-22210-G1	SHOCK ABSORBER ASSY, REAR			1	
2	5UM-22201-20	.DAMPER SUB ASSY	1			
	5UM-22201-F0	.DAMPER SUB ASSY		1		
	5UM-22201-G0	.DAMPER SUB ASSY			1	
3	3SP-22234-00	..GUIDE, SPRING 3	1	1	1	
4	3SP-22213-00	..SEAT, SPRING UPPER	1	1	1	
5	4AA-22259-60	..LABEL, WARNING	1			
	4AA-22259-40	..LABEL, WARNING		1	1	
6	509-23184-L0	..CAP, AIR VALVE	1	1	1	
7	4JX-22226-00	..BUSH, SHOCK ABSORBER LOWER	1	1	1	
8	5DH-23183-00	..CIRCLIP	1	1	1	
9	5MV-22224-00	.GUIDE, SPRING 2	1	1	1	
10	1C3-22253-50	.COLLAR, DISTANCE	2	2	2	
11	3JE-22475-00	.SEAL, DUST	2	2	2	
12	4EW-22474-00	.SEAL, RING	2	2	2	
13	5UN-22176-00	.BEARING	1	1	1	
14	5MV-22184-00	.BUSH	1	1	1	
15	5MV-22253-00	.COLLAR, DISTANCE	2	2	2	
16	5NY-22475-00	.SEAL, DUST	2	2	2	
17	5UN-22212-50	.SPRING (K=52N/MM)	1	1	1	
18	5XE-22214-00	.GUIDE, SPRING 1	1	1	1	
19	5XE-22242-00	BOLT 2	1	1	1	
20	95602-10200	NUT, U FLANGE	1	1	1	
21	92902-10200	WASHER	1	1	1	
22	5NY-22241-00	BOLT 1	1	1	1	

FIG. 26 STEERING

REF. NO.	PART NO.	DESCRIPTION	1HC2	1HC3	1HC4	REMARKS
1	93332-00081	BEARING	1	1	1	
2	93332-00068	BEARING	1	1	1	
3	4EW-23416-00	COVER, BALL RACE 2	1	1	1	
4	90179-28013	NUT	1	1	1	
5	5UM-23113-E0	COLLAR	1	1	1	
6	90201-286K9	WASHER, PLATE (T1.0)	1	1	1	
7	5UM-23435-E1	CROWN, HANDLE	1	1	1	
8	90170-24003	NUT	1	1	1	
9	90201-24016	WASHER, PLATE	1	1	1	
10	18P-23441-00	HOLDER, HANDLE UPPER	2	2	2	
11	5UM-23442-T0	HOLDER, HANDLE LOWER	2	2	2	
12	92902-10200	WASHER	2	2	2	
13	95602-10200	NUT, U FLANGE	2	2	2	
14	90105-08154	BOLT, FLANGE	4	8	8	
15	90105-08134	BOLT, FLANGE	4			
16	5UM-2831V-E0	STAY, HEAD LIGHT 1	1	1	1	
17	5TJ-2331E-80	GUIDE, CABLE	1	1	1	
18	90105-05016	BOLT, FLANGE	1	1	1	
19	5TJ-2317E-U0	STAY 1	2			
20	4AG-85111-00	REFLECTOR, 1	2			
21	95602-06200	NUT, SELF-LOCKING	2			
22	5TJ-23389-80	GUIDE, CABLE	1	1	1	
23	90105-06107	BOLT, FLANGE	1	1	1	
24	90387-06104	COLLAR	1	1	1	

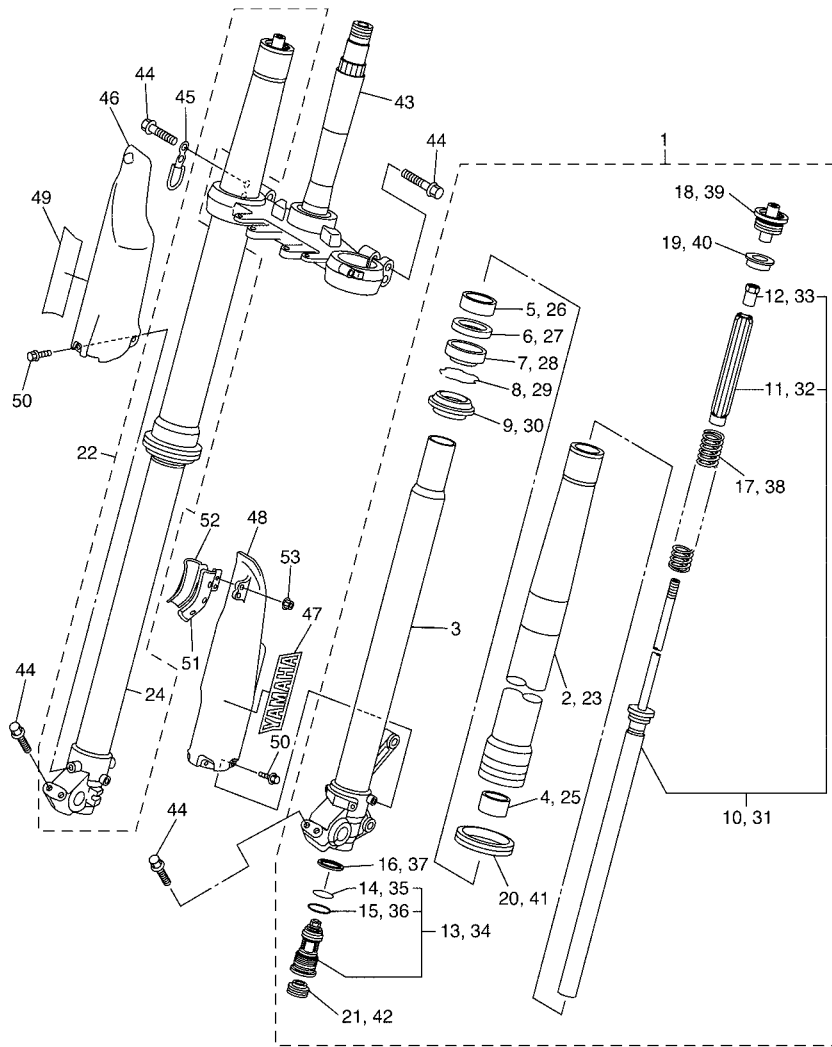




5TJP100-H270

FIG. 27 FRONT FORK

REF. NO.	PART NO.	DESCRIPTION	1HC2	1HC3	1HC4	REMARKS
1	5UM-23102-E0	FRONT FORK ASSY (L.H)	1			
	5UM-23102-F0	FRONT FORK ASSY (L.H)		1	1	
2	5TJ-23136-C0	.TUBE, OUTER	1	1	1	
3	5TJ-23120-C0	.INNER TUBE COMP.2	1	1	1	
4	5XE-23171-L0	.PISTON, FRONT FORK	1	1	1	
5	5XE-23125-L0	.METAL, SLIDE 1	1	1	1	
6	5XE-23146-L0	.WASHER, OIL SEAL	1	1	1	
7	1C3-23145-L0	.OIL SEAL	1	1	1	
8	5XE-23153-L0	.RING, SNAP	1	1	1	
9	5XE-23144-L0	.SEAL, DUST	1	1	1	
10	5UM-23170-E0	.CYLINDER COMP., FRONT FORK	1	1	1	
11	5XE-23142-L0	..SEAT, SPRING UPPER	1	1	1	
12	5XE-23393-L0	..NUT, SPECIAL	1	1	1	
13	5TJ-2316A-E0	.VALVE COMP.	1			
	5UM-2316A-F0	.VALVE COMP.		1	1	
14	5NY-23188-L0	..O-RING	1	1	1	
15	5NY-23147-L0	..O-RING	1	1	1	
16	4SS-23158-L0	.GASKET	1	1	1	
17	5TJ-23141-A0	.SPRING,FRONT FORK(K=4.4N/MM)	1	1	1	
18	5XE-23111-L0	.BOLT, CAP	1	1	1	
19	5XE-23117-L0	.GUIDE, SPRING	1	1	1	
20	1C3-2314F-M0	.PROTECTOR GUIDE COMP, 1	1	1	1	
21	3JD-2312G-L0	.PLUG	1	1	1	
22	5UM-23103-E0	FRONT FORK ASSY (R.H)	1			
	5UM-23103-F0	FRONT FORK ASSY (R.H)		1	1	
23	5TJ-23136-C0	.TUBE, OUTER	1	1	1	
24	5TJ-23110-C0	.INNER TUBE COMP.1	1	1	1	



5TJP100-H270

FIG. 27 FRONT FORK

REF. NO.	PART NO.	DESCRIPTION	1HC2	1HC3	1HC4	REMARKS
25	5XE-23171-L0	.PISTON, FRONT FORK	1	1	1	
26	5XE-23125-L0	.METAL, SLIDE 1	1	1	1	
27	5XE-23146-L0	.WASHER, OIL SEAL	1	1	1	
28	1C3-23145-L0	.OIL SEAL	1	1	1	
29	5XE-23153-L0	.RING, SNAP	1	1	1	
30	5XE-23144-L0	.SEAL, DUST	1	1	1	
31	5UM-23170-E0	.CYLINDER COMP., FRONT FORK	1	1	1	
32	5XE-23142-L0	..SEAT, SPRING UPPER	1	1	1	
33	5XE-23393-L0	..NUT, SPECIAL	1	1	1	
34	5TJ-2316A-E0	.VALVE COMP.	1			
	5UM-2316A-F0	.VALVE COMP.		1	1	
35	5NY-23188-L0	..O-RING	1	1	1	
36	5NY-23147-L0	..O-RING	1	1	1	
37	4SS-23158-L0	.GASKET	1	1	1	
38	5TJ-23141-A0	.SPRING,FRONT FORK(K=4.4N/MM)	1	1	1	
39	5XE-23111-L0	.BOLT, CAP	1	1	1	
40	5XE-23117-L0	.GUIDE, SPRING	1	1	1	
41	1C3-2314F-M0	.PROTECTOR GUIDE COMP, 1	1	1	1	
42	3JD-2312G-L0	.PLUG	1	1	1	
43	5UM-23340-L0	UNDER BRACKET COMP.	1	1	1	
44	90105-08134	BOLT, FLANGE	8	8	8	
45	5TJ-23525-C0	GUIDE	1	1	1	
46	5TJ-2315J-C0	PROTECTOR 2	1	1	1	
47	4XL-2153A-10	EMBLEM, YAMAHA	1	1	1	
48	1C3-2315H-10	PROTECTOR 1	1	1	1	
49	4XL-2153A-10	EMBLEM, YAMAHA	1	1	1	
50	3SP-23356-L0	BOLT 2	6	6	6	

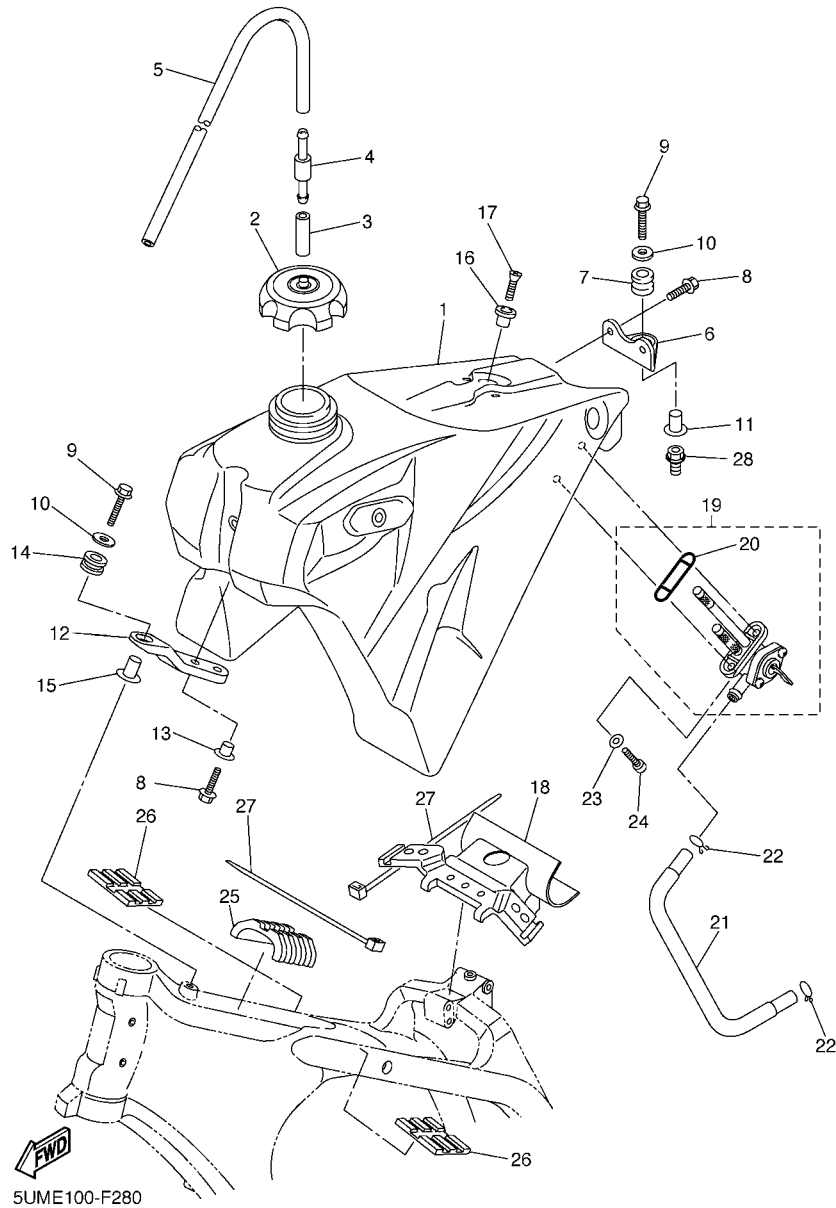


FIG. 28 FUEL TANK

REF. NO.	PART NO.	DESCRIPTION	1HC2	1HC3	1HC4	REMARKS
1	5TJ-24110-J0	FUEL TANK COMP.	1			
	5UM-24110-E1	FUEL TANK COMP.		1	1	
2	5NY-24610-00	CAP ASSY	1	1	1	
3	90445-09027	HOSE (L30)	1			
	90445-09220	HOSE (L30)		1	1	
4	3XJ-24380-00	PIPE JOINT ASSY	1	1	1	
5	90445-09251	HOSE (L350)	1	1	1	
6	5XE-24144-00	HOLDER, DAMPER	1	1	1	
7	90480-18549	GROMMET	1	1	1	
8	90105-06107	BOLT, FLANGE	4	4	4	
9	90105-06111	BOLT, FLANGE	2	2	2	
10	90201-06570	WASHER, PLATE	2	2	2	
11	3JD-24186-00	WASHER, SPECIAL	1	1	1	
12	5UM-2419A-E0	HOLDER	1	1	1	
13	90387-06090	COLLAR	2	2	2	
14	5XC-24339-90	GROMMET	1	1	1	
15	90387-06065	COLLAR	1	1	1	
16	4EW-2412F-00	BRACKET, SEAT	1	1	1	
17	98702-06025	SCREW, FLAT HEAD	1	1	1	
18	5UM-24181-E0	DAMPER, LOCATING 1	1	1	1	
19	5UM-24500-E0	FUEL COCK ASSY 1	1	1	1	
20	1P6-24512-00	.GASKET	1	1	1	
21	5UM-24311-J0	PIPE, FUEL 1	1			
	5UM-24311-E0	PIPE, FUEL 1		1	1	
22	90467-100A1	CLIP	2	2	2	
23	90202-05193	WASHER, PLATE	2	2	2	
24	90149-06108	SCREW	2	2	2	

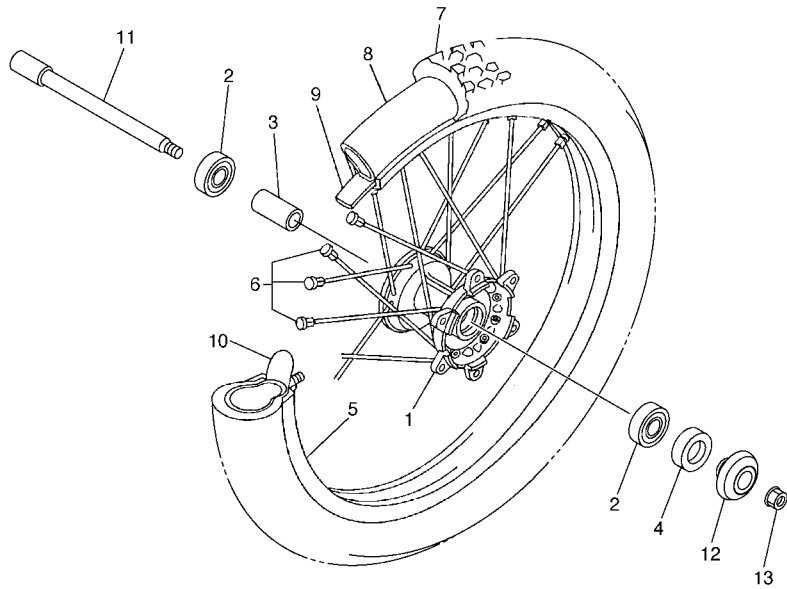


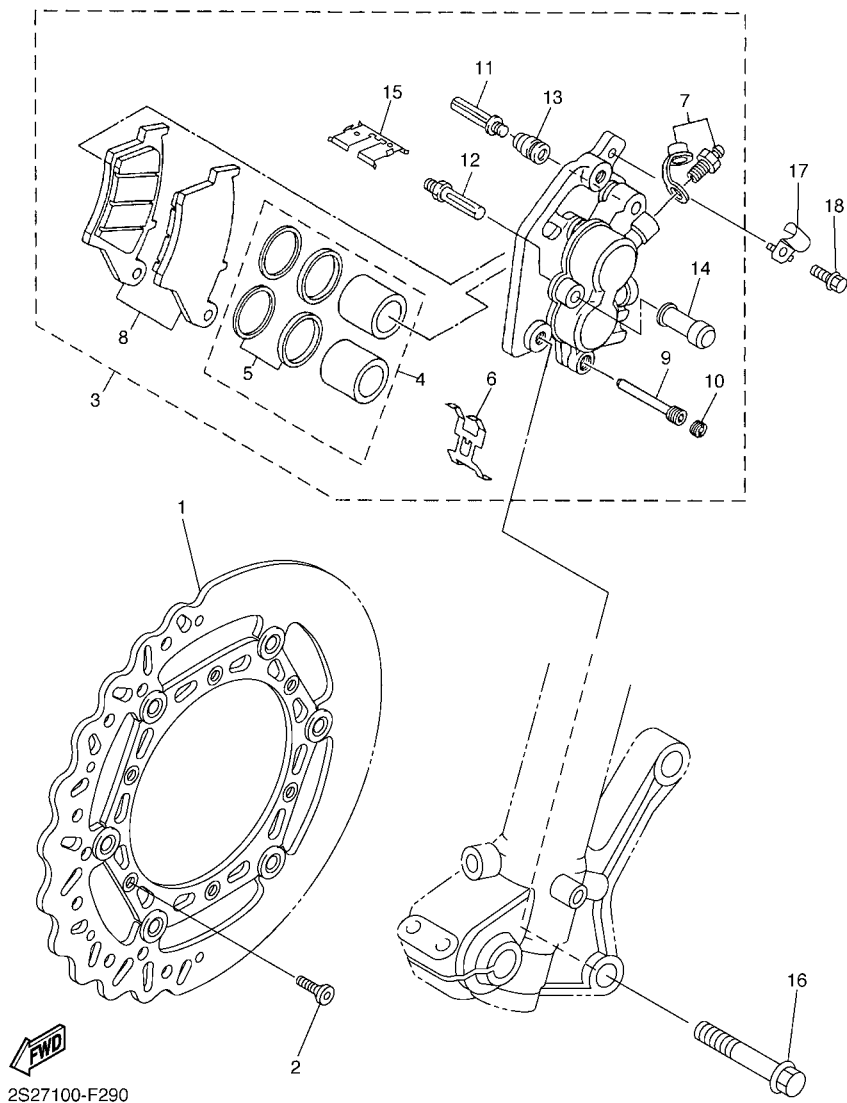
FIG. 30 FRONT WHEEL

REF. NO.	PART NO.	DESCRIPTION	1HC2	1HC3	1HC4	REMARKS
1	5NG-25111-50	HUB, FRONT	1	1	1	
2	93306-90409	BEARING	2	2	2	
3	5NY-25117-00	SPACER, BEARING	1	1	1	
4	93102-26468	OIL SEAL	1	1	1	
5	94416-21005	RIM (1.60-21)	1	1	1	
6	5NY-25104-00	SPOKE SET, FRONT	1	1	1	
7	94108-21015	TIRE (80/100-21 51M D739FA)	1	1		DUNLOP(ZAF)
*		TIRE (90/90-21 M/C 54M M+S)		1	1	LM METZELER(OCE)
8	94227-21101	TUBE (80/100-21 M/C TR4)	1	1		DUNLOP(ZAF)
*		TUBE (80/100-21)		1	1	LM PIRELLI(OCE)
9	94309-21161	BAND, RIM (22-21)	1	1		DUNLOP(ZAF)
*		BAND, RIM (80/100-21)		1	1	LM PIRELLI(OCE)
10	5SF-25394-00	SPACER, BEAD	1	1	1	
11	1C3-25181-10	AXLE, WHEEL	1	1	1	
12	5TJ-2510C-80	COLLAR ASSY.	1	1	1	
13	90179-16011	NUT	1	1	1	

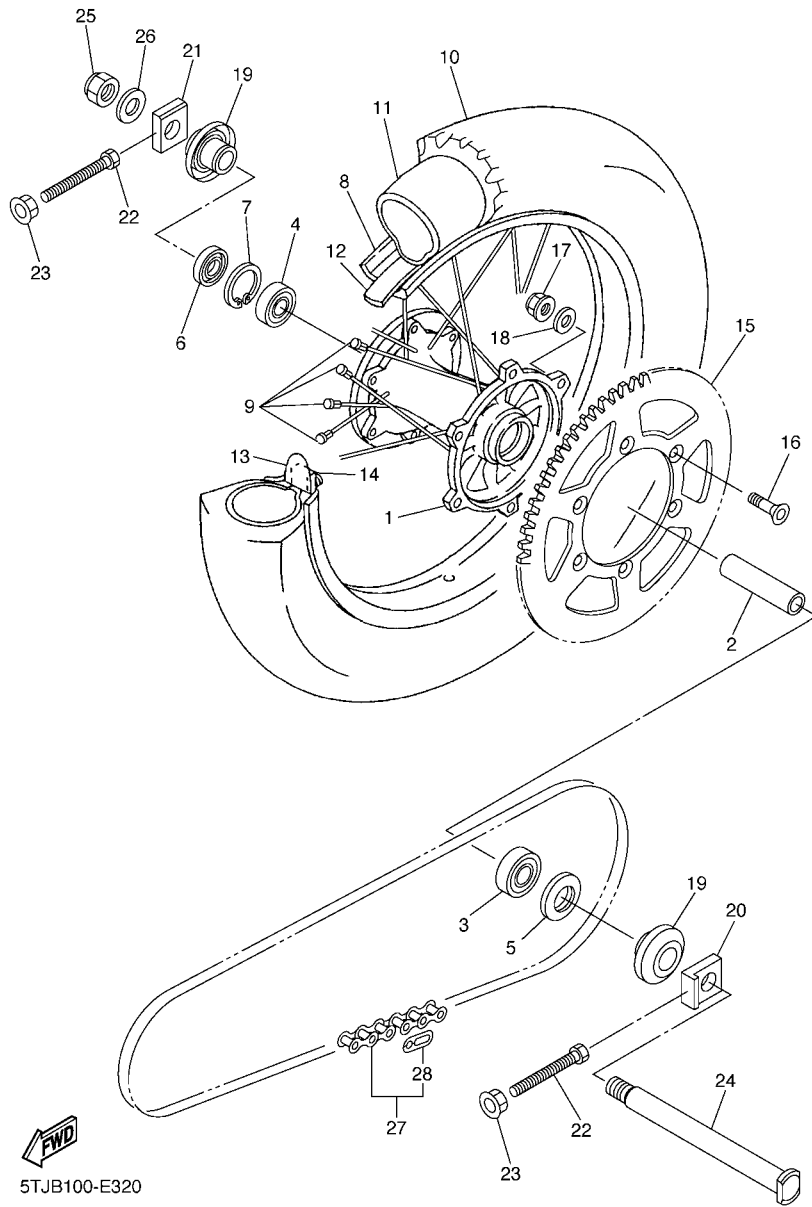


5TJB100-E300

FIG. 31 FRONT BRAKE CALIPER



REF. NO.	PART NO.	DESCRIPTION	1HC2	1HC3	1HC4	REMARKS
1	2S2-2581T-70	DISK BRAKE ASSY	1	1	1	
2	90151-06051	SCREW, COUNTERSUNK	6	6	6	
3	1C3-2580T-00	CALIPER ASSY (LEFT)	1	1	1	
4	5UN-W0057-00	.PISTON ASSY, CALIPER	1	1	1	
5	3JD-W0047-00	..CALIPER SEAL KIT	1	1	1	
6	5DH-25919-00	.SUPPORT, PAD	1	1	1	
7	1UY-W0048-50	.BLEED SCREW KIT	1	1	1	
8	5MV-W0045-01	.BRAKE PAD KIT	1	1	1	
9	5DH-25933-00	.PIN, PAD	1	1	1	
10	5DH-25916-00	.PLUG	1	1	1	
11	3SP-25926-51	.BOLT	1	1	1	
12	3SP-25914-51	.PIN, SLIDE	1	1	1	
13	3JD-25917-00	.BOOT, CALIPER	1	1	1	
14	1UY-25937-51	.BOOT 2	1	1	1	
15	5DH-25849-00	.RETAINER, CALIPER	1	1	1	
16	90105-08137	BOLT, FLANGE	2	2	2	
17	1C3-25875-50	HOLDER, BRAKE HOSE 1	1	1	1	
18	90105-06105	BOLT, FLANGE	1	1	1	



5TJB100-E320

FIG. 32 REAR WHEEL

REF. NO.	PART NO.	DESCRIPTION	1HC2	1HC3	1HC4	REMARKS
1	5ET-25311-00	HUB, REAR	1	1	1	
2	5ET-25317-00	SPACER, BEARING	1	1	1	
3	93306-27212	BEARING	1	1	1	
4	93306-07202	BEARING	1	1	1	
5	93106-30001	OIL SEAL	1	1	1	
6	93106-30045	OIL SEAL	1	1	1	
7	99009-45500	CIRCLIP	1	1	1	
8	94418-18006	RIM (1.85-18)	1	1	1	UR FOR CAN,ZAF
	94421-18005	RIM (2.15-18)		1	1	UR FOR EUR,OCE
9	5GS-25304-00	SPOKE SET, REAR	1	1	1	
10	94110-18009	TIRE (100/100-18 59M D756)	1	1	1	DUNLOP(ZAF)
	*	TIRE (130/90-18 M/C 69M M+S)		1	1	LM METZELER(OCE)
11	94211-18176	TUBE (100/100-18 M/C TR4)	1	1	1	DUNLOP(ZAF)
	*	TUBE (120-150/70-90-18 M/C)		1	1	LM METZELER(OCE)
12	94309-18146	BAND, RIM (25-18)	1	1	1	DUNLOP(ZAF)
	*	BAND, RIM (3.50-18)		1	1	LM METZELER(OCE)
13	4XM-25394-00	SPACER, BEAD	2	2	2	UR FOR CAN,ZAF
	3JE-25394-00	SPACER, BEAD		2	2	UR FOR EUR,OCE
14	4XM-25364-00	DAMPER	2	2	2	
15	5TJ-25450-80	SPROCKET, DRIVEN (50T)	1	1	1	STD FOR CAN,ZAF
	1C3-25447-00	SPROCKET, DRIVEN (47T)		1	1	STD
	1C3-25450-00	SPROCKET, DRIVEN (50T)		1	1	STD FOR OCE
	5GS-25448-50	SPROCKET, DRIVEN (48T)	1	1	1	AP EXCEPT FOR OCE
	5TJ-25452-80	SPROCKET, DRIVEN (52T)	1	1	1	AP EXCEPT FOR OCE
	5TJ-25450-80	SPROCKET, DRIVEN (50T)		1	1	AP
	1C3-25448-00	SPROCKET, DRIVEN (48T)		1	1	AP FOR OCE
	1C3-25449-00	SPROCKET, DRIVEN (49T)		1	1	AP FOR OCE

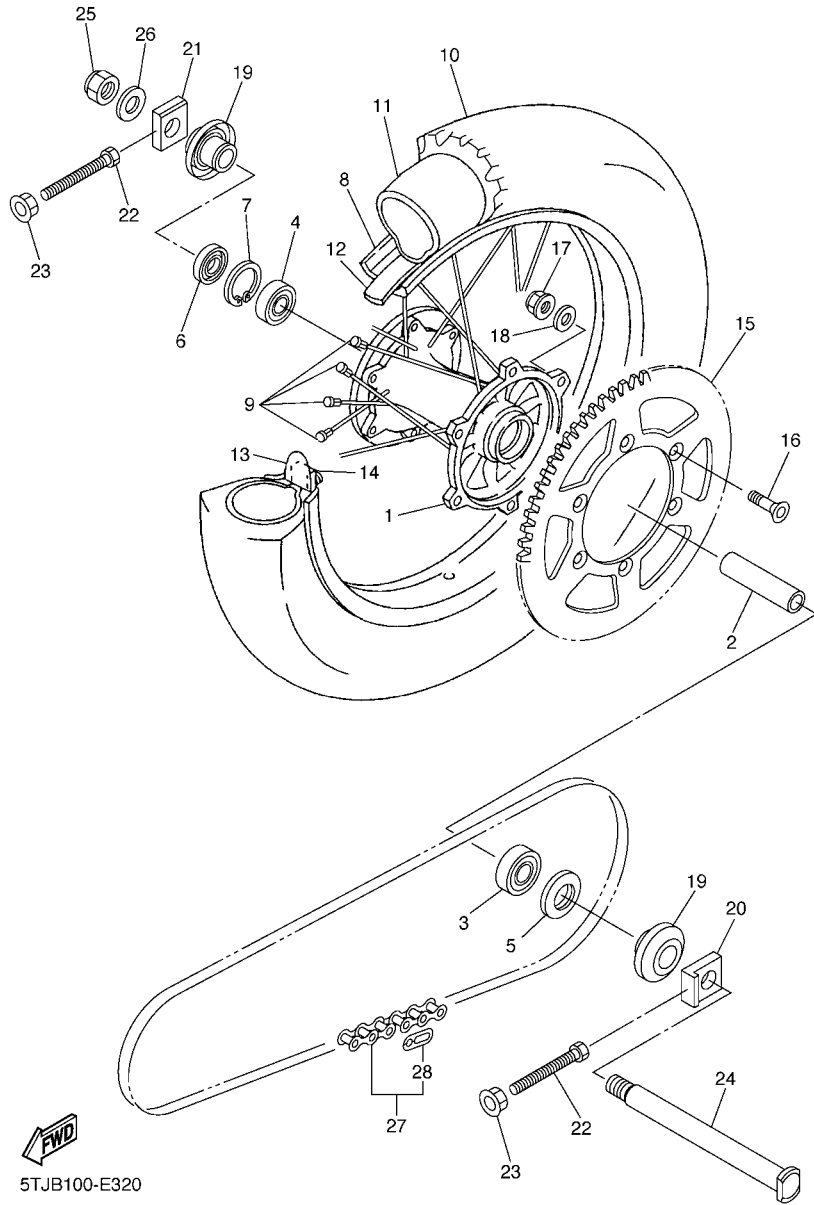


FIG. 32 REAR WHEEL

REF. NO.	PART NO.	DESCRIPTION	1HC2	1HC3	1HC4	REMARKS
15	1C3-25451-00	SPROCKET, DRIVEN (51T)			1	AP FOR OCE
	1C3-25452-00	SPROCKET, DRIVEN (52T)			1	AP FOR OCE
16	90109-08078	BOLT	6	6	6	
17	90185-08008	NUT, SELF-LOCKING	6	6	6	
18	90201-08048	WASHER, PLATE	6	6	6	
19	5TJ-2530S-80	COLLAR ASSY	2	2	2	
20	1C3-25388-H0	PULLER, CHAIN 1	1	1	1	
21	1C3-25389-H0	PULLER, CHAIN 2	1	1	1	
22	90101-08006	BOLT	2	2	2	
23	90179-08019	NUT	2	2	2	
24	1C3-25381-90	AXLE, WHEEL	1	1	1	
25	90185-20002	NUT, SELF-LOCKING	1	1	1	
26	90201-20020	WASHER, PLATE	1	1	1	
27	9Y581-76113	CHAIN (DID 520VM-114LL)	1	1	1	
28	94681-76021	.JOINT, CHAIN (DID 520VM-ZJ)	1	1	1	

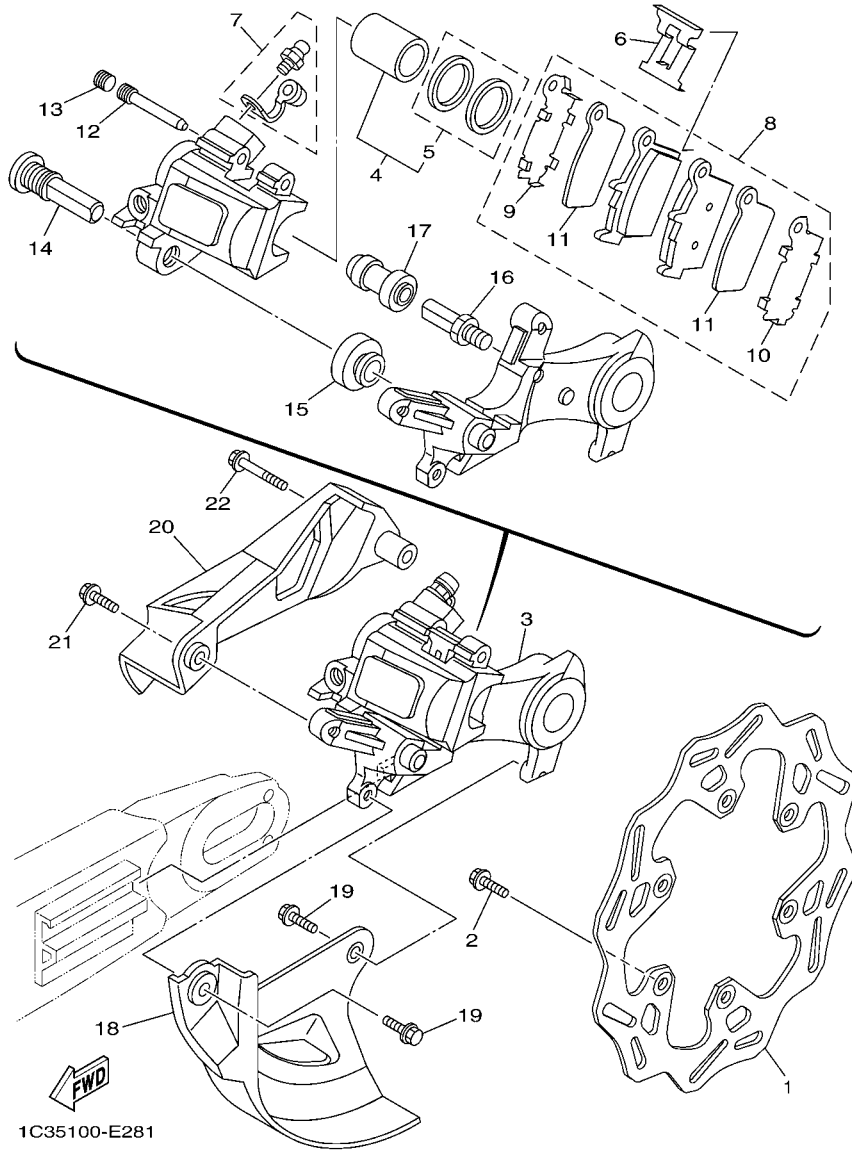


FIG. 33 REAR BRAKE CALIPER

REF. NO.	PART NO.	DESCRIPTION	1HC2	1HC3	1HC4	REMARKS
1	2S2-2582W-70	DISK, REAR BRAKE 2	1	1	1	
2	90105-06108	BOLT, FLANGE	6	6	6	
3	1C3-2580W-72	CALIPER ASSY, REAR 2	1	1	1	
4	5UN-W0057-50	.PISTON ASSY, CALIPER	1	1	1	
5	5UN-W0047-50	..CALIPER SEAL KIT	1	1	1	
6	5DH-25919-50	..SUPPORT, PAD	1	1	1	
7	1UY-W0048-50	.BLEED SCREW KIT	1	1	1	
8	1C3-W0046-B0	.BRAKE PAD KIT 2	1	1	1	
9	5UN-25828-60	..SHIM, CALIPER	1	1	1	
10	5UN-25827-60	..SHIM, CALIPER	1	1	1	
11	5UN-22898-60	..INSULATOR, HEAT	2	2	2	
12	8CR-25924-00	.PIN, PAD	1	1	1	
13	5DH-25916-00	.PLUG	1	1	1	
14	5DH-25914-50	.PIN, SLIDE	1	1	1	
15	3JD-25917-00	.BOOT, CALIPER	1	1	1	
16	5UN-25914-00	.PIN, SLIDE	1	1	1	
17	1UY-25937-51	.BOOT 2	1	1	1	
18	1C3-25718-50	PROTECTOR, DISK BRAKE	1	1	1	
19	90105-06110	BOLT, FLANGE	2	2	2	
20	1C3-27491-50	PROTECTOR	1	1	1	
21	90105-06107	BOLT, FLANGE	1	1	1	
22	90105-06111	BOLT, FLANGE	1	1	1	

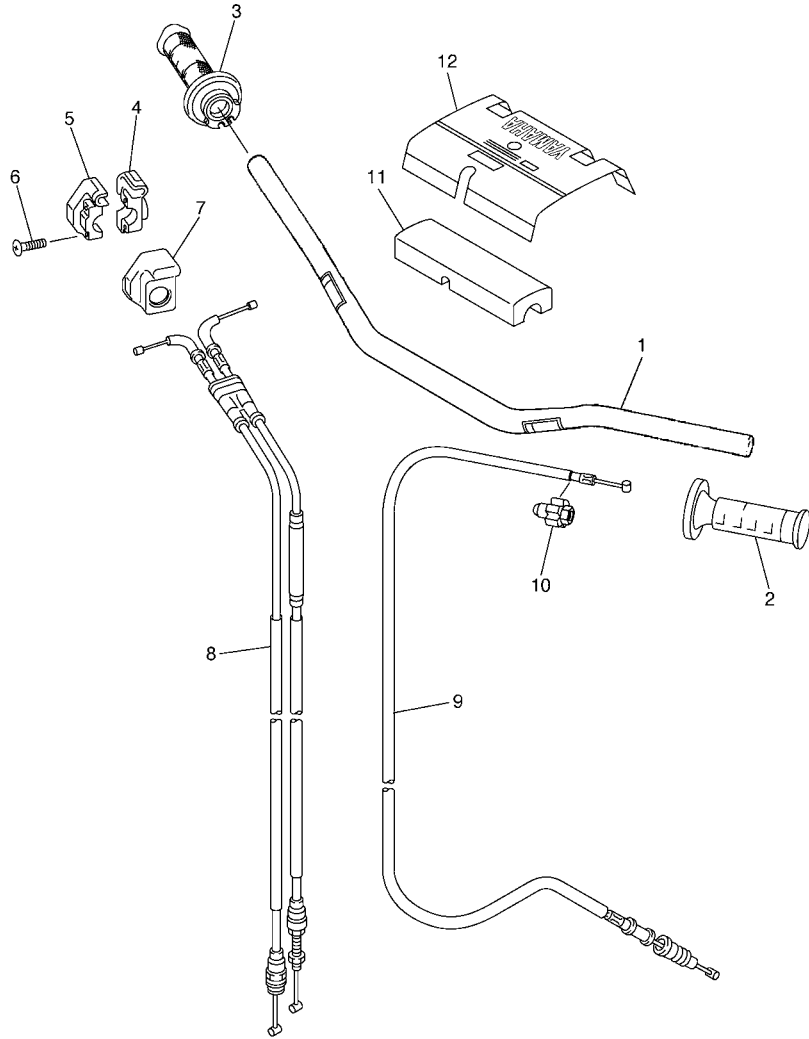
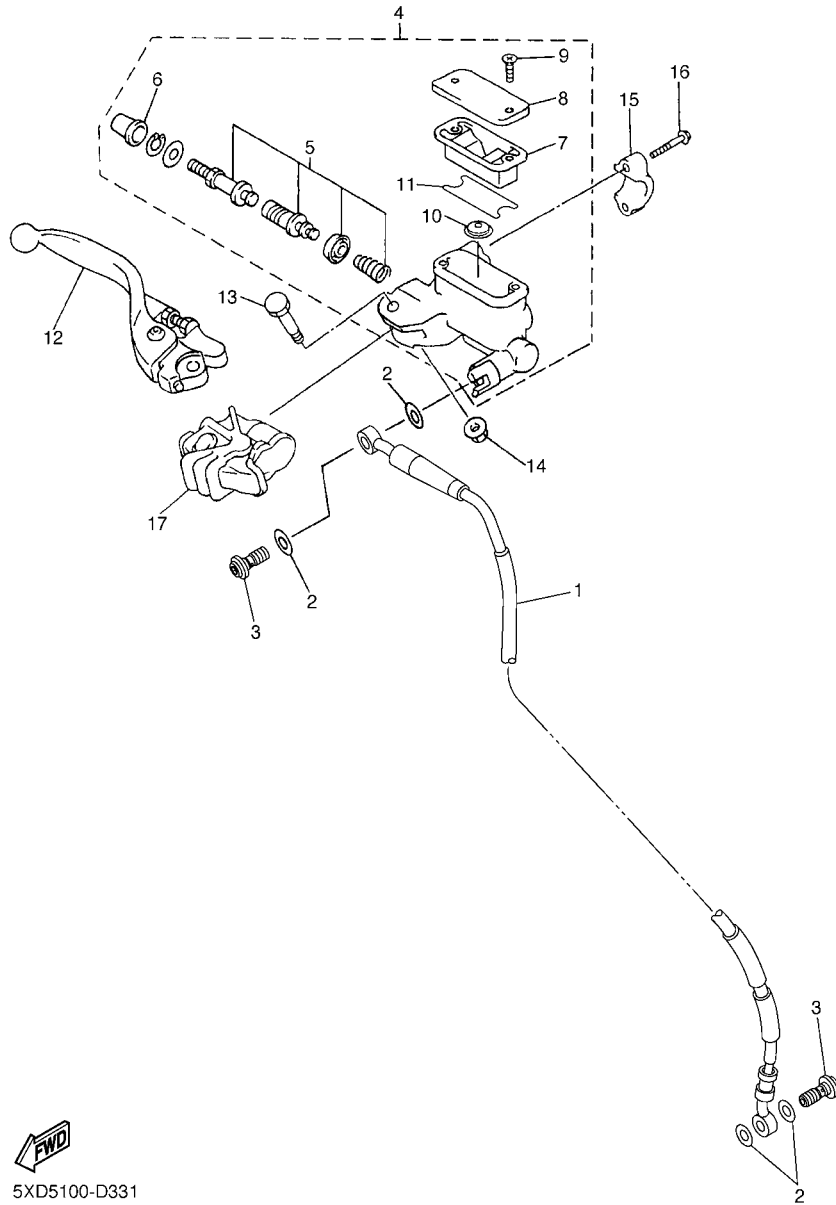


FIG. 34 STEERING HANDLE & CABLE

REF. NO.	PART NO.	DESCRIPTION	1HC2	1HC3	1HC4	REMARKS
1	5XC-26111-L1	HANDLEBAR	1	1	1	
2	4GY-26241-00	GRIP	1	1	1	
3	5TJ-26240-C0	GRIP ASSY	1	1	1	
4	5BE-26281-00	CAP, GRIP UPPER	1	1	1	
5	5BE-26282-00	CAP, GRIP UNDER	1	1	1	
6	98507-05020	SCREW, PAN HEAD	2	2	2	
7	5SF-26287-10	COVER, CAP GRIP	1	1	1	
8	5UM-26302-E0	THROTTLE CABLE ASSY	1	1	1	
9	5UM-26335-E0	CABLE, CLUTCH	1	1	1	
10	1C3-26342-50	BOOT, CABLE	1	1	1	
11	5XC-26124-90	PROTECTOR, HANDLEBAR	1	1	1	
12	5XC-26143-L0	COVER,HAND,UPPER 1	1	1	1	



5XD5100-D331

FIG. 35 FRONT MASTER CYLINDER

REF. NO.	PART NO.	DESCRIPTION	1HC2	1HC3	1HC4	REMARKS
1	5TJ-25872-80	HOSE, BRAKE 1	1	1	1	
2	90430-10005	GASKET	4	4	4	
3	90401-10172	BOLT, UNION	2	2	2	
4	5XE-W2587-10	MASTER CYLINDER SUB ASSY	1	1	1	
5	5NY-W0041-00	.CYLINDER KIT, MASTER	1	1	1	
6	5NY-25868-00	.BOOT, MASTER CYLINDER	1	1	1	
7	5XE-25854-00	.DIAPHRAGM, RESERVOIR	1	1	1	
8	5MV-25852-01	.CAP, RESERVOIR	1	1	1	
9	98706-04012	.SCREW, FLAT HEAD	2	2	2	
10	5CG-25715-00	.SEPARATOR ASSY	1	1	1	
11	5XE-25853-00	.FLOAT, RESERVOIR	1	1	1	
12	1C3-83922-50	LEVER 2	1	1	1	
13	5MV-2589F-00	BOLT, LEVER	1	1	1	
14	95701-06500	NUT, WITH WASHER	1	1	1	
15	5MV-25867-00	BRACKET, MASTER CYLINDER	1	1	1	
16	5MV-25833-00	BOLT, FITTING	2	2	2	
17	5NY-26372-00	COVER, HANDLE LEVER 1	1	1	1	

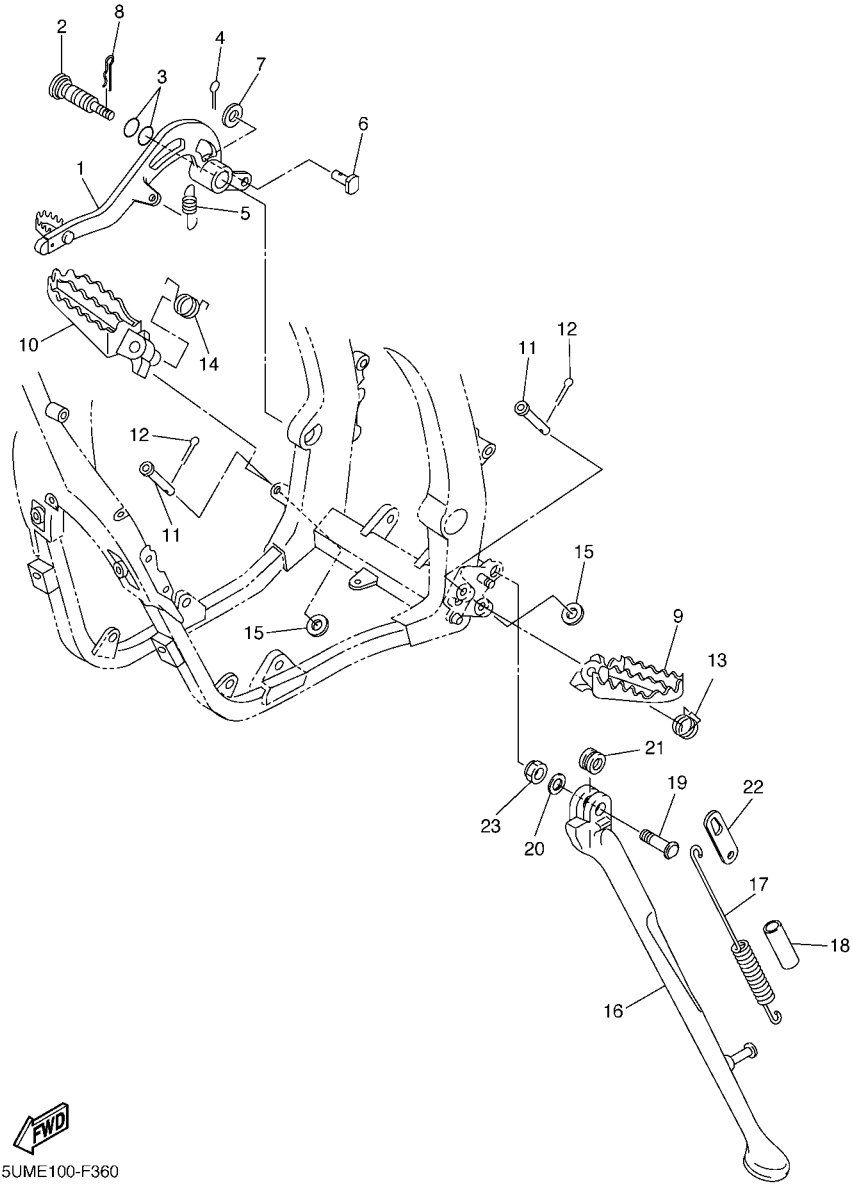


FIG. 36 STAND & FOOTREST

REF. NO.	PART NO.	DESCRIPTION	1HC2	1HC3	1HC4	REMARKS
1	5XC-27200-A1	PEDAL, BRAKE	1	1	1	
2	5XC-27217-90	BOLT	1	1	1	
3	93210-11073	O-RING	2	2	2	
4	91402-20012	PIN, COTTER	1	1	1	
5	90506-16007	SPRING, TENSION	1	1	1	
6	90240-08120	PIN, CLEVIS	1	1	1	
7	90201-08044	WASHER, PLATE	1	1	1	
8	90468-16001	CLIP	1	1	1	
9	5XC-27411-M1	FOOTREST 1	1	1	1	
10	5XC-27421-M1	FOOTREST 2	1	1	1	
11	90240-10004	PIN, CLEVIS	2	2	2	
12	91402-25015	PIN, COTTER	2	2	2	
13	90508-28015	SPRING, TORSION	1	1	1	
14	90508-28018	SPRING, TORSION	1	1	1	
15	90201-10032	WASHER, PLATE	2	2	2	
16	5UM-27311-E0	STAND, SIDE	1	1	1	
17	90506-30005	SPRING, TENSION	1	1	1	
18	90445-217G3	HOSE (L70)	1	1	1	
19	90109-10026	BOLT	1	1	1	
20	90201-10045	WASHER, PLATE	1	1	1	
21	90387-1003G	COLLAR	1	1	1	
22	5UM-27315-E0	LINK, SIDE STAND	1	1	1	
23	90185-10018	NUT, SELF-LOCKING	1	1	1	

FWD
5TJP100-H370

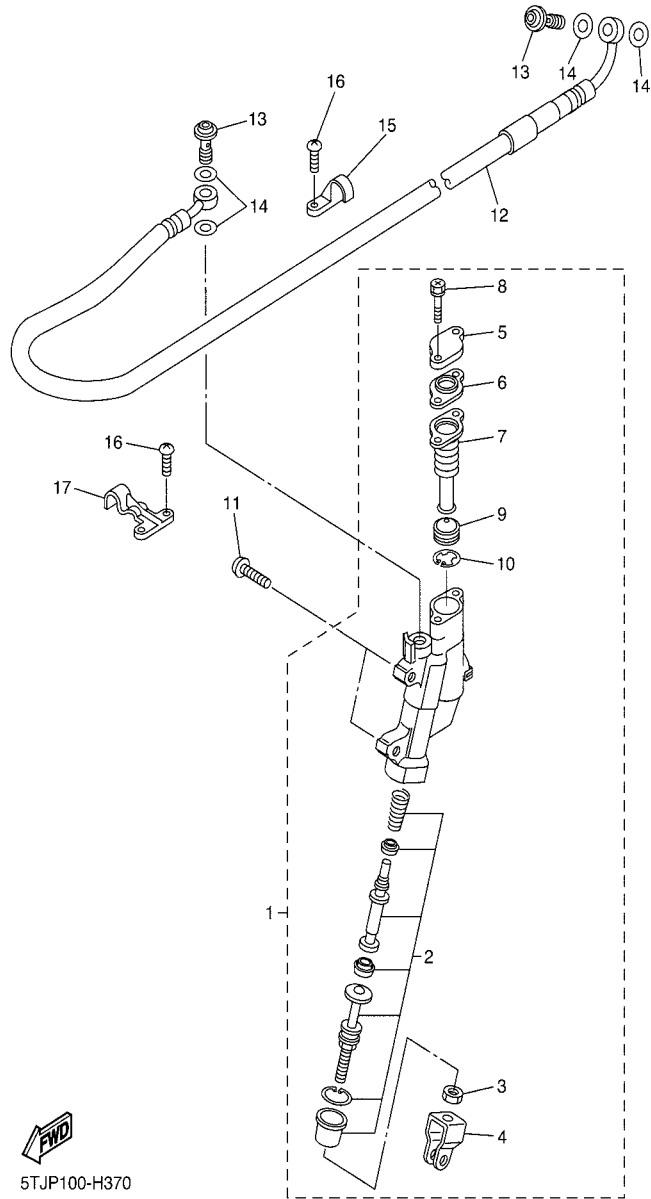


FIG. 37 REAR MASTER CYLINDER

REF. NO.	PART NO.	DESCRIPTION	1HC2	1HC3	1HC4	REMARKS
1	17D-2583V-00	RR. MASTER CYLINDER ASSY.	1	1	1	
2	5UN-W0042-50	.CYLINDER KIT, MASTER	1	1	1	
3	5UN-27218-00	.NUT	1	1	1	
4	5UN-27222-00	.JOINT	1	1	1	
5	5UN-25852-50	.CAP, RESERVOIR	1	1	1	
6	5UN-2585B-00	.PLATE, DIAPHRAGM	1	1	1	
7	5UN-25854-00	.DIAPHRAGM, RESERVOIR	1	1	1	
8	5UN-27217-00	.BOLT	2	2	2	
9	5CG-25715-00	.SEPARATOR ASSY	1	1	1	
10	5CG-2585G-00	.CIRCLIP	1	1	1	
11	90111-06116	BOLT,HEX. SOCKET BUTTON	2	2	2	
12	5XC-25873-L0	HOSE, BRAKE 2	1	1	1	
13	90401-10172	BOLT, UNION	2	2	2	
14	90430-10005	GASKET	4	4	4	
15	1C3-25886-50	HOLDER, BRAKE HOSE	1	1	1	
16	98502-05010	SCREW, PAN HEAD	4	4	4	
17	1C3-25876-50	HOLDER, BRAKE HOSE 2	1	1	1	

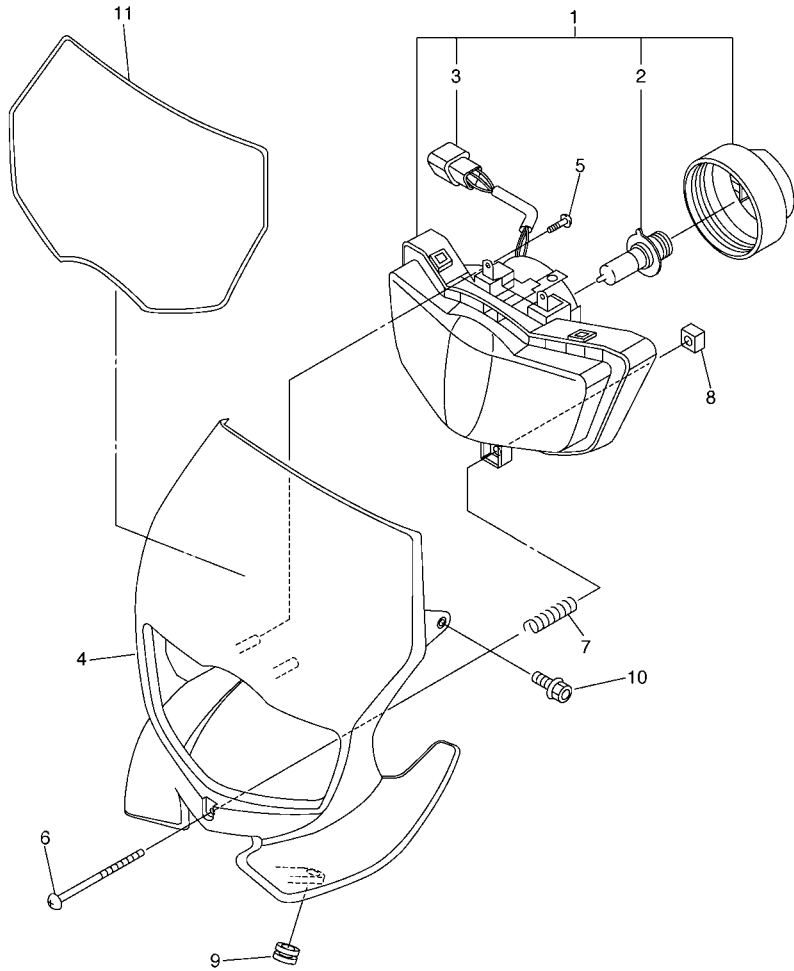


FIG. 41 HEADLIGHT

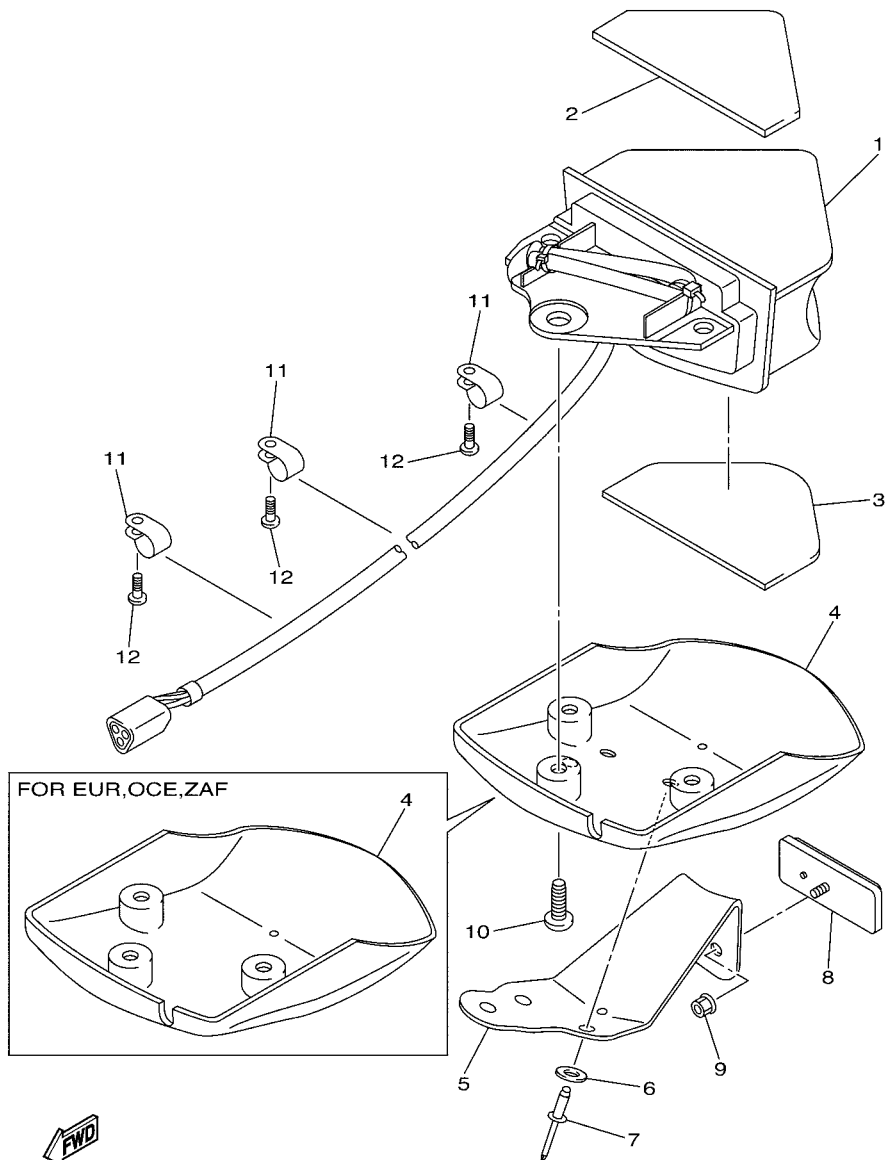
REF. NO.	PART NO.	DESCRIPTION	1HC2	1HC3	1HC4	REMARKS
1	5UM-84310-E1	HEADLIGHT UNIT ASSY	1	1	1	
2	5VM-84314-00	.BULB, HEADLIGHT(12V-35/36.5W)	1	1	1	HALOGEN
3	5UM-84340-E1	.SOCKET CORD ASSY 1	1	1	1	
4	5UM-84330-E0	BODY ASSY	1	1	1	
5	97702-50516	SCREW, TAPPING	2	2	2	
6	90157-04005	SCREW, PAN HEAD	1	1	1	
7	90501-120A3	SPRING, COMPRESSION	1	1	1	
8	5BF-84334-00	NUT, ADJUSTING	1	1	1	
9	90480-12020	GROMMET	2	2	2	
10	90105-06064	BOLT, FLANGE	2	2	2	
11	5TJ-2339E-00	GRAPHIC 1	1	1	1	



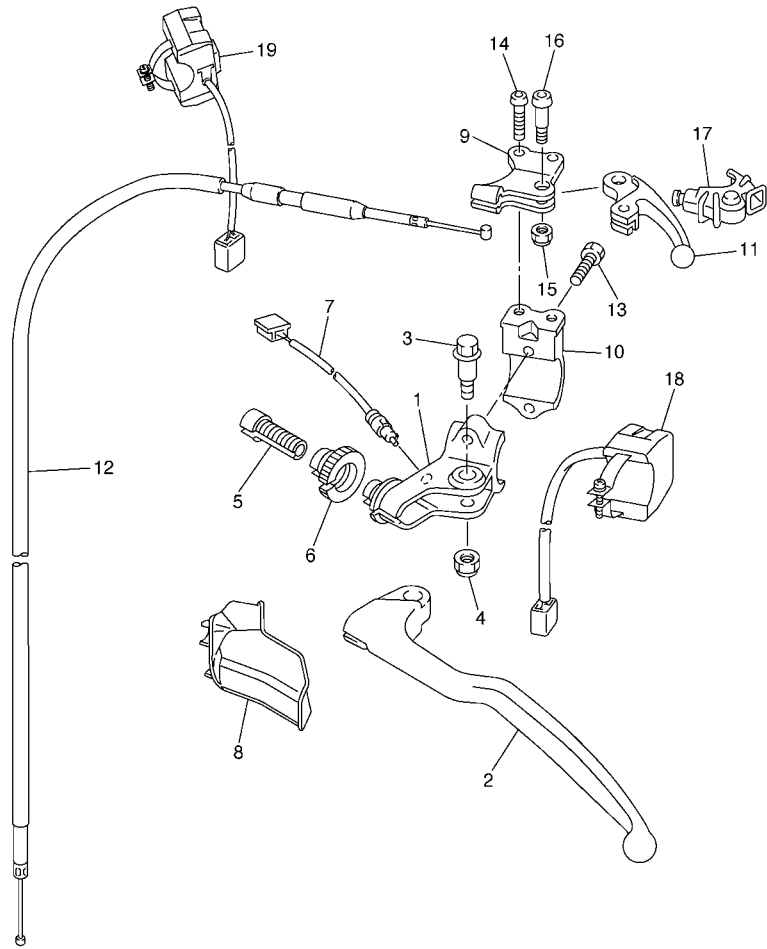
5UME100-F410

FIG. 42 TAILLIGHT

REF. NO.	PART NO.	DESCRIPTION	1HC2	1HC3	1HC4	REMARKS
1	5UM-84710-E0	TAILLIGHT UNIT ASSY	1	1	1	
2	5UM-84736-E0	DAMPER, TAIL 1	1	1	1	
3	5UM-84737-E0	DAMPER, TAIL 2	1	1	1	
4	5TJ-84716-U0	COVER, TAILLIGHT	1			
	5UM-84716-E0	COVER, TAILLIGHT		1	1	
5	5TJ-84781-U0	BRACKET 1	1			
6	90201-047R8	WASHER, PLATE	3			
7	90267-48084	RIVET, BLIND	3			
8	3Y6-85130-02	REAR REFLECTOR ASSY	1			
9	95602-05200	NUT, SELF-LOCKING	1			
10	90160-05012	SCREW, ROUND TAPPING	3			
	97702-50016	SCREW, TAPPING		3	3	
11	90464-11M18	CLAMP	3	3	3	
12	97702-40010	SCREW, TAPPING	3	3	3	



5TJU100-J420



5UME100-F430

FIG. 43 HANDLE SWITCH & LEVER

REF. NO.	PART NO.	DESCRIPTION	1HC2	1HC3	1HC4	REMARKS
1	5TJ-82911-80	HOLDER, LEVER 1	1	1	1	
2	5TJ-83912-80	LEVER 1	1	1	1	
3	90109-06034	BOLT	1	1	1	
4	5LP-84126-10	NUT, LENS FITTING	1	1	1	
5	5HD-26337-00	BOLT, ADJUSTING	1	1	1	
6	5HD-83951-00	BOLT, CABLE ADJUSTING	1	1	1	
7	5TJ-82917-02	SWITCH	1	1	1	
8	5TJ-26372-80	COVER, HANDLE LEVER 1	1	1	1	
9	5XD-82946-00	HOLDER, STARTER LEVER	1	1	1	
10	5XD-82913-00	HOLDER, LEVER LOWER 1	1	1	1	
11	5TA-83941-00	LEVER, STARTER	1	1	1	
12	5UM-26334-E0	CABLE, STARTER 2	1	1	1	
13	97002-05016	BOLT	2	2	2	
14	92012-05012	BOLT, BUTTON HEAD	2	2	2	
15	95602-05100	NUT, U	1	1	1	
16	90149-05162	SCREW	1	1	1	
17	5TA-26339-00	BOOT	1	1	1	
18	5UM-83976-E2	SWITCH, ENGINE STOP	1	1	1	
19	5UM-83976-F2	SWITCH, HANDLE 1	1	1	1	

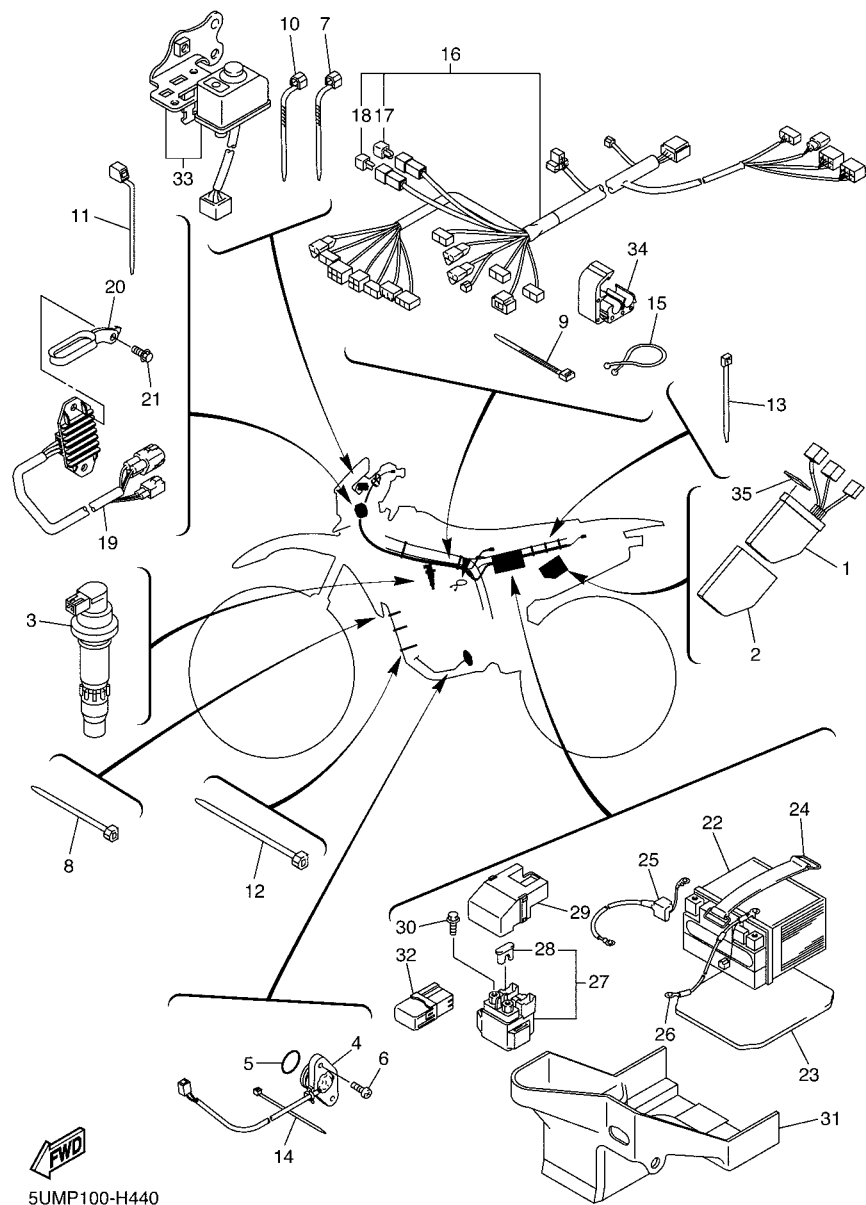


FIG. 44 ELECTRICAL 1

REF. NO.	PART NO.	DESCRIPTION	1HC2	1HC3	1HC4	REMARKS
1	5UM-85540-E0	C.D.I. UNIT ASSY	1			
	5UM-85540-L1	C.D.I. UNIT ASSY		1		
	5UM-85540-F1	C.D.I. UNIT ASSY			1	
2	5UM-85546-E0	BAND	1	1	1	
3	5UL-82310-10	IGNITION COIL ASSY	1	1	1	
4	5TJ-82540-01	NEUTRAL SWITCH ASSY	1	1	1	
5	93210-21001	O-RING	1	1	1	
6	90154-05022	SCREW, BINDING	2	2	2	
7	90464-13077	CLAMP	2	2	2	
8	90464-15152	CLAMP	3	3	3	
9	90465-13275	CLAMP	7	7	7	
10	90464-13073	CLAMP	3	3	3	
11	90464-16061	CLAMP	2	2	2	
12	90464-15195	CLAMP	1	3	3	
13	90465-13152	CLAMP	5	5	5	
14	5Y9-12491-00	CLAMP 1	2	2	2	
15	90464-23041	CLAMP	1	1	1	
16	5TJ-82590-E0	WIRE HARNESS ASSY	1	1		
	5TJ-82590-F0	WIRE HARNESS ASSY			1	
17	5TJ-81980-00	.DIODE ASSY	1	1	1	
18	4WA-81980-00	.DIODE ASSY	1	1	1	
19	5UM-81960-E0	RECTIFIER & REGULATOR ASSY	1	1	1	
20	5UM-21288-E0	GUIDE, CABLE	1	1	1	
21	90105-06110	BOLT, FLANGE	2	2	2	
22	5TJ-82100-01	BATTERY ASSY (YTZ7S)	1	1	1	
23	5UM-82176-E0	DAMPER	1	1	1	
24	8CY-82131-00	BAND, BATTERY	1	1	1	

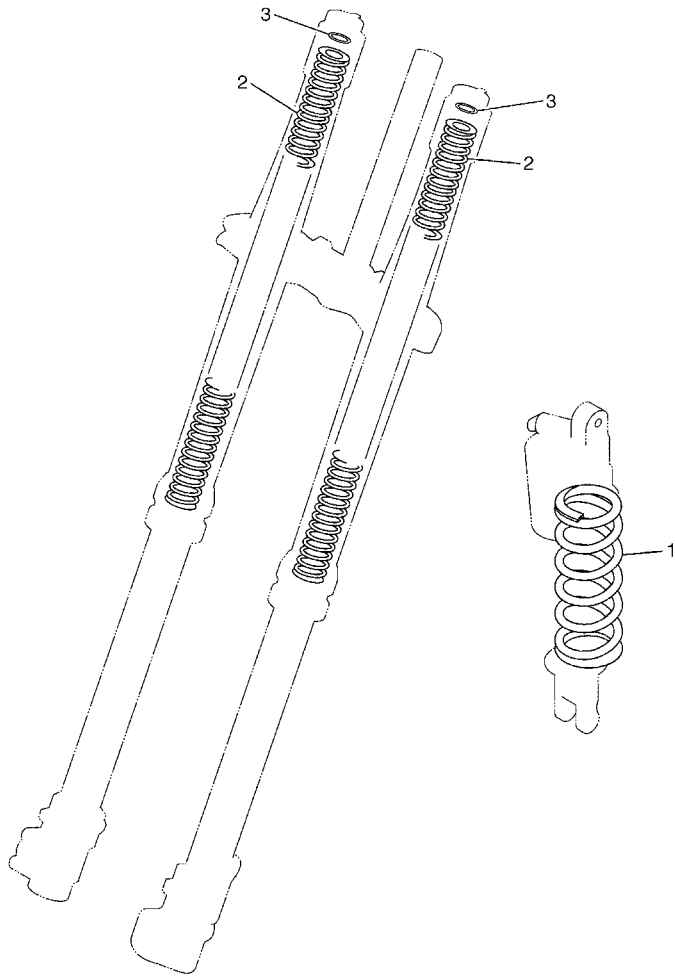


FIG. 45 ALTERNATE FOR CHASSIS

REF. NO.	PART NO.	DESCRIPTION	1HC2	1HC3	1HC4	REMARKS
1	5UN-22212-00	SPRING (K=42N/MM)	1	1	1	AP
	5UN-22212-10	SPRING (K=44N/MM)	1	1	1	AP
	5UN-22212-20	SPRING (K=46N/MM)	1	1	1	AP
	5UN-22212-30	SPRING (K=48N/MM)	1	1	1	AP
	5UN-22212-40	SPRING (K=50N/MM)	1	1	1	AP
	5UN-22212-60	SPRING (K=54N/MM)	1	1	1	AP
	5UN-22212-70	SPRING (K=56N/MM)	1	1	1	AP
2	5TJ-23141-00	SPRING (K=4.0N/MM)	1	1	1	AP
	5TJ-23141-10	SPRING (K=4.1N/MM)	1	1	1	AP
	5TJ-23141-20	SPRING (K=4.2N/MM)	1	1	1	AP
	5TJ-23141-30	SPRING (K=4.3N/MM)	1	1	1	AP
	5TJ-23141-40	SPRING (K=4.4N/MM)	1	1	1	AP
	5TJ-23141-50	SPRING (K=4.5N/MM)	1	1	1	AP
	5TJ-23141-60	SPRING (K=4.6N/MM)	1	1	1	AP
3	5XE-23364-00	COLLAR 2	1	1	1	AP



5XC1100-C390

NUMERICAL INDEX

PART NO.	REF. NO.	PART NO.	REF. NO.	PART NO.	REF. NO.	PART NO.	REF. NO.	PART NO.	REF. NO.	PART NO.	REF. NO.
5UM-11101-10	1 - 1	1HX-12168-M1	3 - 14	5BE-13342-00	7 - 10	5UM-14437-E0	9 - 22	5UM-14916-BR	10 - 12	3TJ-1494F-15	10 - 21
5NL-11133-10	1 - 2	1HX-12168-R1	3 - 14	5NL-13411-00	7 - 16	5UM-1443A-E0	9 - 37	5UM-14916-BS	10 - 12	4JT-1494F-15	10 - 23
5NL-11134-10	1 - 3	1HX-12168-U1	3 - 14	5XC-13412-00	7 - 15	5UM-1443B-L0	9 - 29	5UM-14916-BT	10 - 12	3TJ-1494F-16	10 - 21
5UM-11166-00	1 - 21	1HX-12168-W1	3 - 14	5XC-13416-90	7 - 32	5BF-1443E-00	9 - 24	5UM-14916-BU	10 - 12	4JT-1494F-19	10 - 23
371-11167-01	1 - 20	1HX-12168-Y1	3 - 14	5D3-13440-00	8 - 1	5NY-14442-00	9 - 15	5UM-14916-LU	10 - 12	4JT-1494F-23	10 - 23
5NL-11181-00	1 - 15	1HX-12169-11	3 - 14	5BE-13447-20	8 - 2	5UM-14451-E0	9 - 16	5UM-14916-RU	10 - 12	4JT-1494F-27	10 - 23
5NL-11191-40	1 - 19	1HX-12169-31	3 - 14	5XC-13464-20	7 - 18	5UM-14453-E0	9 - 12	5UM-14916-V1	10 - 12	4JT-1494F-29	10 - 23
5NL-11193-00	1 - 25	1HX-12169-50	3 - 14	5XC-13465-10	7 - 23	5UM-14453-L0	9 - 12	5UM-14916-VP	10 - 12	5UM-1494F-30	10 - 19
5UM-1119E-00	1 - 24	1HX-12169-70	3 - 14	5XC-13597-30	9 - 1	5NY-14455-20	9 - 14	5UM-14916-VR	10 - 12	4JT-1494F-31	10 - 23
5XC-11311-10	1 - 26	1HX-12169-90	3 - 14	5UM-14101-E0	10 - 1	5TJ-14458-00	9 - 19	5UM-14916-VS	10 - 12	5JG-14951-00	10 - 6
5NL-11351-00	1 - 27	1HX-12169-E0	3 - 14	5UM-14101-L0	10 - 1	5TJ-14459-01	9 - 13	5UM-14916-VT	10 - 12	5GS-14958-00	10 - 65
5UM-11387-00	1 - 31	1HX-12169-G0	3 - 14	5NL-14105-00	10 - 24	5UM-14462-E0	9 - 26	5UM-14916-VU	10 - 12	5JG-14959-00	10 - 2
5UM-11400-31	2 - 1	1HX-12169-J0	3 - 14	4MX-14115-00	10 - 52	5TJ-14475-00	9 - 17	5UM-14916-VV	10 - 12	5JG-14984-00	10 - 29
5UM-11412-20	2 - 2	1HX-12169-L0	3 - 14	5TJ-14118-00	10 - 67	5JG-14521-00	10 - 14	5XC-14922-00	10 - 45	4SR-14985-00	10 - 25
5UL-11422-10	2 - 3	1HX-12169-N0	3 - 14	3TJ-14137-40	9 - 8	5JG-14522-00	10 - 7	5GS-14933-00	10 - 66	5TA-14987-00	9 - 7
5NL-11454-00	2 - 13	1HX-12169-T0	3 - 14		10 - 53	5JG-14531-00	10 - 61	3TJ-14933-40	10 - 34	5TJ-14987-00	10 - 58
5NL-11455-00	2 - 9	5UM-12170-10	4 - 1	5BE-14146-00	10 - 54	3TJ-14536-40	10 - 33	5TA-14934-00	10 - 47	5TA-14991-00	10 - 39
5NL-11531-00	2 - 12	5UM-12180-20	4 - 2	5PA-14146-00	10 - 63	5JG-14546-01	10 - 10	5GS-14940-00	10 - 64	4FN-14997-00	10 - 11
5NL-11536-10	2 - 8	5TA-12210-20	4 - 10	5TA-14155-00	10 - 41	676-14548-00	10 - 26	5JG-14940-16	10 - 32	5TA-14997-00	10 - 42
5NL-11603-00	2 - 19	4FM-12213-00	4 - 9	633-14159-00	10 - 28	4MX-14561-00	10 - 51	5JG-14940-17	10 - 32	5UM-15100-21-YX	13 - 1
5NL-11631-20	2 - 18	5BE-12241-00	4 - 12	3TJ-14159-40	10 - 13	6H4-14561-00	10 - 35	5JG-14940-18	10 - 32	5XC-15118-00	14 - 33
5NL-11633-00	2 - 20	5NL-12251-10	4 - 5	5XC-14171-00	10 - 36	5NX-14562-00	10 - 49	5JG-14940-76	10 - 32	3Y1-15361-00	14 - 32
5XC-11651-00	2 - 6	5NL-12252-00	4 - 6	3TJ-14191-40	10 - 30	3TJ-14564-40	10 - 44	5TA-14943-15	10 - 22	3Y1-15363-10	14 - 6
5XC-11681-01	2 - 4	5UM-1240A-E0	6 - 1	5JG-14196-00	10 - 56	5JG-14565-00	10 - 60	4MX-14943-39	10 - 18	5XC-15373-00	14 - 20
5NL-12111-20	3 - 1	5NL-12422-10	5 - 9	5TA-14197-00	10 - 57	5GS-14591-00	10 - 62		10 - 18	4JT-15381-01	13 - 17
5NL-12112-20	3 - 2	5NL-12439-00	5 - 10	5UM-14197-00	10 - 71	5UM-14591-00	10 - 62	4MX-14943-40	10 - 18	5BE-15383-01	13 - 13
5UM-12113-00	3 - 8	5XC-1244H-90	6 - 22	5NX-14216-00	10 - 50	688-14592-00	10 - 4	4MX-14943-41	10 - 18	5NL-15388-00	13 - 15
5NL-12114-00	3 - 9	5UM-1244J-E0	23 - 28	5TA-14227-00	9 - 5	5UM-14611-10	12 - 1		10 - 18	5UM-15411-20	14 - 1
5NL-12116-00	3 - 4	5DH-12451-00	5 - 4	5TA-14239-00	9 - 6	5NL-14613-00	12 - 6	4MX-14943-42	10 - 18	5NL-15415-30	14 - 26
1HX-12117-00	3 - 10	5XC-12459-00	5 - 1	5TJ-14243-00	10 - 68	5TJ-14623-00	12 - 11	4MX-14943-43	10 - 18	5BE-15421-30	13 - 10
1WG-12117-00	3 - 12	5UM-12461-E0	6 - 5	5TA-14261-00	10 - 55	5XC-14628-00	12 - 2	4MX-14943-89	10 - 18	5XC-15431-01	14 - 16
1HX-12118-00	3 - 11	22W-12462-00	6 - 9	5JG-14264-00	10 - 16	5UM-14710-E0	12 - 8	4MX-14943-90	10 - 18	5NL-15441-01	13 - 9
1WG-12118-00	3 - 13	2S2-12464-70	6 - 2	3TJ-14267-40	6 - 2	5PH-14714-00	12 - 15	4MX-14943-91	10 - 18	5UM-15451-00	14 - 8
4SV-12119-00	3 - 7		6 - 6	5JG-14275-00	10 - 15	4KM-14714-01	11 - 3	4MX-14943-92	10 - 18	5NL-15453-10	14 - 31
4TV-12119-00	3 - 6	5XC-12481-90	6 - 14	5TA-14293-00	9 - 4	5BE-14747-00	12 - 16	4MX-14943-93	10 - 18	5NL-15462-00	14 - 21
5NL-12121-10	3 - 3	1C3-12482-00	6 - 19	3TJ-14293-40	10 - 31	4BD-14766-00	12 - 3	4MX-14943-94	10 - 18	5UM-1549B-20	14 - 13
3GM-12126-00	3 - 5	5XC-12482-90	6 - 15	5TA-14335-00	10 - 38	5TJ-14780-00	12 - 9	5TJ-14947-00	10 - 17	5UM-15515-20	16 - 4
3FV-12153-10	3 - 16	5Y9-12491-00	44 - 14	5JG-14346-00	10 - 59	5TJ-14784-00	12 - 10	4MX-14948-03	10 - 20	5UM-15517-00	16 - 3
3LN-12153-10	3 - 15	5NL-12564-00	14 - 24	5TA-14371-00	10 - 37	5BE-14788-00	12 - 18	4MX-14948-04	10 - 20	5UM-15532-00	16 - 10
1HX-12168-00	3 - 14	5XC-12576-90	6 - 18	2S2-14374-00	10 - 40	5TJ-14799-00	12 - 13		10 - 20	5UM-15560-10	16 - 1
1HX-12168-20	3 - 14	5XC-12578-90	6 - 20	5JG-14379-00	10 - 43	5UM-14803-00	11 - 7	4MX-14948-05	10 - 20	5UM-15570-00	16 - 8
1HX-12168-40	3 - 14	5XC-12579-91	6 - 21	2S2-14388-00	10 - 8	5UM-14834-E0	11 - 8		10 - 20	5VY-15586-00	16 - 9
1HX-12168-60	3 - 14	583-13113-00	8 - 20	4MX-14392-00	10 - 27	5UM-14871-10	11 - 1	4MX-14948-06	10 - 20	5NL-15601-20	15 - 1
1HX-12168-80	3 - 14	5NL-13161-20	8 - 8	5UM-14401-E0	9 - 11	5UM-14881-00	11 - 5	4MX-14948-07	10 - 20	5XC-15620-10	15 - 19
1HX-12168-A0	3 - 14	5NL-13171-10	8 - 13	5UM-14417-E0	9 - 38	5UM-14882-00	11 - 11	4JT-1494F-11	10 - 23	5XC-15621-10	15 - 20
1HX-12168-F0	3 - 14	5SG-13300-01	7 - 1	5TJ-14419-00	9 - 28	5UM-14916-B1	10 - 12	3TJ-1494F-12	10 - 21	5NL-15641-20	15 - 2
1HX-12168-H1	3 - 14	5NL-13320-00	7 - 3	5UM-1441A-E0	9 - 30	5UM-14916-BN	10 - 12	3TJ-1494F-13	10 - 21	5NL-15651-00	15 - 16
1HX-12168-K1	3 - 14	5NL-13341-00	7 - 11	5UM-1441G-E0	9 - 18	5UM-14916-BP	10 - 12	3TJ-1494F-14	10 - 21	5NL-15664-00	15 - 10

NUMERICAL INDEX

PART NO.	REF. NO.	PART NO.	REF. NO.	PART NO.	REF. NO.	PART NO.	REF. NO.	PART NO.	REF. NO.	PART NO.	REF. NO.
5SG-15668-00	15 - 12	5DH-18562-00	13 - 19	1HC-2174H-00	23 - 20	4AA-22259-40	25 - 5	4SS-23158-L0	27 - 16	3XJ-24380-00	28 - 4
2S2-15671-00	15 - 5	5UM-21101-E0	21 - 1	1HB-2174J-00	23 - 15	4AA-22259-60	25 - 5		27 - 37	5UM-24500-E0	28 - 19
214-15686-00	15 - 13	5PA-2118K-00	22 - 25	1HB-2174K-00	23 - 21	1P8-22355-00	24 - 3	1C3-2315H-10	27 - 48	1P6-24512-00	28 - 20
5NL-16111-01	17 - 1	5PA-2118K-10	22 - 26	5UM-2174T-E0	22 - 9	4EW-22474-00	25 - 12	5TJ-2315J-C0	27 - 46	5NY-24610-00	28 - 2
5XC-16150-00	17 - 4	5UM-21190-E0	21 - 5	5XC-22475-00	7 - 31	3JE-22475-00	25 - 11	5TJ-2316A-E0	27 - 13	5UM-2470F-T0	29 - 2
5NL-16154-00	17 - 5	1C3-21244-10	28 - 28	2TK-21757-00	9 - 32	5NY-22475-00	25 - 16		27 - 34	5UM-24710-T0	29 - 1
3XJ-16321-00	17 - 12	5UM-21268-E0	21 - 44	5TJ-21757-00	9 - 33	5UN-22898-60	33 - 11	5UM-2316A-F0	27 - 13	5UM-24723-E0	29 - 3
5DH-16321-00	17 - 7	5XC-21288-90	21 - 42	4XV-2177L-01	9 - 20	1C3-22969-90	24 - 11		27 - 34	5NY-25104-00	30 - 6
5NL-16325-00	17 - 8	5UM-21288-E0	44 - 20	5UM-21860-E0	23 - 24	5UM-23102-E0	27 - 1	5UM-23170-E0	27 - 10	5TJ-2510C-80	30 - 12
5NL-16325-10	17 - 15	1C3-2135F-00	24 - 34	26H-21874-00	23 - 26	5UM-23102-F0	27 - 1		27 - 31	5NG-25111-50	30 - 1
5HD-16351-00	17 - 9	1C3-2139R-00	24 - 35	26H-21875-00	23 - 25	5UM-23103-E0	27 - 22	5XE-23171-L0	27 - 4	5NY-25117-00	30 - 3
5XC-16356-00	17 - 18	5UM-21417-E0	21 - 32	1C3-22110-90	24 - 1	5UM-23103-F0	27 - 22		27 - 25	1C3-25181-10	30 - 11
5NL-16357-10	17 - 23	5UM-21418-E0	21 - 33	5XC-22121-91	24 - 30	5TJ-23110-C0	27 - 24	5TJ-2317E-U0	26 - 19	5GS-25304-00	32 - 9
5NL-16371-01	17 - 6	5UM-21425-E0	21 - 23	1C3-22122-00	24 - 31	5XE-23111-L0	27 - 18	5DH-23183-00	25 - 8	5TJ-2530S-80	32 - 19
5XC-16381-10	17 - 24	5UM-21426-E0	21 - 24	2S2-22128-70	24 - 13		27 - 39	509-23184-L0	25 - 6	5ET-25311-00	32 - 1
5NL-16383-10	17 - 14	5UM-21447-E0	21 - 2	1C3-22141-10	24 - 17	5UM-23113-E0	26 - 5	5NY-23188-L0	27 - 14	5ET-25317-00	32 - 2
4JT-16384-00	17 - 27	1C3-21448-10	21 - 3	2S2-22151-70	24 - 10	5XE-23117-L0	27 - 19		27 - 35	4XM-25364-00	32 - 14
5NL-16384-00	17 - 13	5UM-21455-E0	21 - 41	5UN-22176-00	25 - 13		27 - 40	5TJ-2331E-80	26 - 17	1C3-25381-90	32 - 24
5NL-17121-00	18 - 9	5XC-21456-90	21 - 36	30X-22178-00	21 - 8	5TJ-23120-C0	27 - 3	5UM-23340-L0	27 - 43	1C3-25388-H0	32 - 20
5UM-17131-00	18 - 6	5UM-2147A-E0	21 - 37	3JD-22178-20	21 - 13	5XE-23125-L0	27 - 5	3SP-23356-L0	27 - 50	1C3-25389-H0	32 - 21
5UM-17141-00	18 - 7	5UM-21485-E0	21 - 40	5XC-2217A-90	24 - 20		27 - 26	5XE-23364-00	45 - 3	3JE-25394-00	32 - 13
5UM-17151-00	18 - 3	5UM-21486-E0	21 - 39	5XC-2217F-90	24 - 26	3JD-2312G-L0	27 - 21	5TJ-23389-80	26 - 22	4XM-25394-00	32 - 13
5PH-17211-00	18 - 21	1C3-21511-51	22 - 1	4V4-22184-00	21 - 9		27 - 9	5XE-23393-L0	27 - 12	5SF-25394-00	30 - 10
5NL-17221-00	18 - 13	4XL-2153A-10	27 - 47	5MV-22184-00	25 - 14	5TJ-23136-C0	27 - 2		27 - 33	1C3-25447-00	32 - 15
5UM-17231-00	18 - 17		27 - 49	5UM-22199-E0	24 - 12		27 - 23	5TJ-2339E-00	41 - 11	1C3-25448-00	32 - 15
5UM-17241-00	18 - 16	5UM-2153E-00	22 - 27	5UM-22201-20	25 - 2	5TJ-23141-00	45 - 2	4EW-23416-00	26 - 3	5GS-25448-50	32 - 15
5UM-17251-00	18 - 20	5UM-21610-E0	22 - 7	5UM-22201-F0	25 - 2	5TJ-23141-10	45 - 2	5UM-23435-E1	26 - 7	1C3-25449-00	32 - 15
5NL-17402-01	18 - 12	5TJ-21610-U0	22 - 7	5UM-22201-G0	25 - 2	5TJ-23141-20	45 - 2	18P-23441-00	26 - 10	1C3-25450-00	32 - 15
5UM-17411-00	18 - 1	5XE-21635-10	22 - 8	5UM-22210-21	25 - 1	5TJ-23141-30	45 - 2	5UM-23442-T0	26 - 11	5TJ-25450-80	32 - 15
5NL-17466-00	13 - 12	5TA-21642-00	22 - 22	5UM-22210-F1	25 - 1	5TJ-23141-40	45 - 2	5XC-23466-L0	27 - 51		32 - 15
	13 - 12	5TJ-2164F-U0	22 - 10	5UM-22210-G1	25 - 1	5TJ-23141-50	45 - 2	5XC-23467-L0	27 - 52	1C3-25451-00	32 - 15
5UM-17466-00	13 - 12	5TJ-2164G-U0	22 - 11	5UN-22212-00	45 - 1	5TJ-23141-60	45 - 2	5TJ-23525-C0	27 - 45	1C3-25452-00	32 - 15
5NL-17471-10	18 - 29	3RV-21668-A0	24 - 36	5UN-22212-10	45 - 1	5TJ-23141-A0	27 - 17	5UM-23591-E0	40 - 15	5TJ-25452-80	32 - 15
5UL-18101-10	20 - 10	3RV-21668-B0	24 - 37	5UN-22212-20	45 - 1		27 - 38	5UM-24110-E1	28 - 1	5CG-25715-00	35 - 10
5XC-18110-00	20 - 15	5UM-21711-E0	23 - 1	5UN-22212-30	45 - 1	5XE-23142-L0	27 - 11	5TJ-24110-J0	28 - 1		37 - 9
5LP-18122-01	20 - 5	5UM-21717-E0	23 - 2	5UN-22212-40	45 - 1		27 - 32	4EW-2412F-00	28 - 16	1C3-25718-50	33 - 18
3XK-18140-00	19 - 8	5XC-21719-90	23 - 7	5UN-22212-50	25 - 17	5XE-23144-L0	27 - 9	5XE-24144-00	28 - 6	1C3-2580T-00	31 - 3
5BE-18172-00	20 - 3	5UM-21721-E0	23 - 5	5UN-22212-60	45 - 1		27 - 30	3FB-2415E-02	22 - 4	1C3-2580W-72	33 - 3
3XJ-18173-10	20 - 2	2S2-2172A-70	23 - 17	5UN-22212-70	45 - 1	1C3-23145-L0	27 - 7	3FB-2415E-12	22 - 5	2S2-2581T-70	31 - 1
3XJ-18178-00	20 - 9	2S2-2172A-80	23 - 23	3SP-22213-00	25 - 4		27 - 28	3PT-2416E-10	22 - 6	5UN-25827-60	33 - 10
3XJ-18182-00	20 - 8	5UM-2172S-E0	23 - 8	5XE-22214-00	25 - 18	5XE-23146-L0	27 - 6	5UM-24181-E0	28 - 18	5UN-25828-60	33 - 9
3XJ-18184-00	20 - 7	5UM-21730-E0	23 - 12	5MV-22224-00	25 - 9		27 - 27	5XC-24182-90	28 - 25	2S2-2582W-70	33 - 1
2S2-18185-00	20 - 1	1HB-2173E-00	23 - 13	4JX-22226-00	25 - 7	5NY-23147-L0	27 - 15	5XC-24183-90	28 - 26	5MV-25833-00	35 - 16
5NL-18501-00	19 - 5	1HB-2173F-00	23 - 19	3SP-22234-00	25 - 3		27 - 36	3JD-24186-00	28 - 11	17D-2583V-00	37 - 1
5NL-18502-00	19 - 6	5UM-2173S-E0	23 - 9	5NY-22241-00	25 - 22	1C3-2314F-M0	27 - 20	5UM-2419A-E0	28 - 12	5DH-25849-00	31 - 15
5NL-18503-00	19 - 7	5UM-21740-E0	23 - 18	5XE-22242-00	25 - 19		27 - 41	5UM-24311-E0	28 - 21	5MV-25852-01	35 - 8
5NL-18541-00	19 - 1	5UM-2174A-E0	23 - 6	5MV-22253-00	25 - 15	5XE-23153-L0	27 - 8	5UM-24311-J0	28 - 21	5UN-25852-50	37 - 5
4UN-18542-00	19 - 4	1HC-2174G-00	23 - 14	1C3-22253-50	25 - 10		27 - 29	5XC-24339-90	28 - 14	5XE-25853-00	35 - 11

NUMERICAL INDEX

PART NO.	REF. NO.	PART NO.	REF. NO.	PART NO.	REF. NO.	PART NO.	REF. NO.	PART NO.	REF. NO.	PART NO.	REF. NO.
5UN-25854-00	37 - 7	5UM-27315-E0	36 - 22	5TJ-8375F-C0	40 - 9	90105-06081	13 - 20	90109-060E9	11 - 4	90185-16002	24 - 18
5XE-25854-00	35 - 7	5XC-27411-M1	36 - 9	5TJ-83912-80	43 - 2		18 - 30	90109-06193	19 - 10	90185-20002	32 - 25
5UN-2585B-00	37 - 6	5XC-27421-M1	36 - 10	1C3-83922-50	35 - 12	90105-06094	14 - 34	90109-06245	9 - 40	90201-04018	22 - 12
5CG-2585G-00	37 - 10	1C3-27491-50	33 - 20	5TA-83941-00	43 - 11	90105-06098	14 - 29	90109-08078	32 - 16	90201-047R8	42 - 6
5MV-25867-00	35 - 15	5XC-28116-00	21 - 47	5HD-83951-00	43 - 6	90105-06100	22 - 17	90109-10026	36 - 19	90201-05021	40 - 3
5NY-25868-00	35 - 6	5TA-2814F-00	21 - 46	5UM-83976-E2	43 - 18	90105-06103	23 - 3	90110-05038	9 - 9	90201-06032	22 - 18
5TJ-25872-80	35 - 1	5ET-28166-10	21 - 45	5UM-83976-F2	43 - 19		23 - 10	90110-05041	12 - 12	90201-06084	22 - 23
5XC-25873-L0	37 - 12	5PG-2816R-00	22 - 28	5LP-84126-10	43 - 4	90105-06104	24 - 14	90110-06228	8 - 5	90201-06570	28 - 10
1C3-25875-50	31 - 17	5UM-2831V-E0	26 - 16	5UM-84310-E1	41 - 1	90105-06105	11 - 10	90110-08051	15 - 26	90201-06571	6 - 13
1C3-25876-50	37 - 17	3FV-28386-00	9 - 31	5VM-84314-00	41 - 2		24 - 16	90111-06116	37 - 11		7 - 41
1C3-25886-50	37 - 15	5UM-81410-31	38 - 1	5UM-84330-E0	41 - 4		31 - 18	90116-06038	1 - 10		22 - 20
5MV-2589F-00	35 - 13	5UM-81450-00	38 - 2	5BF-84334-00	41 - 8		40 - 14	90119-06146	23 - 27	90201-06630	7 - 38
5UN-25914-00	33 - 16	5UM-81528-00	14 - 35	5UM-84340-E1	41 - 3	90105-06106	22 - 19	90119-06147	22 - 3	90201-08043	21 - 18
5DH-25914-50	33 - 14	5UM-81801-10	39 - 2	5UM-84710-E0	42 - 1	90105-06107	11 - 9	90119-06166	21 - 38	90201-05044	36 - 7
3SP-25914-51	31 - 12	5TJ-81828-01	39 - 7	5UM-84716-E0	42 - 4		26 - 23	90119-08095	23 - 4	90201-08045	21 - 10
5DH-25916-00	31 - 10	5UM-81828-10	39 - 4	5TJ-84716-U0	42 - 4		28 - 8		23 - 11	90201-08048	15 - 25
	33 - 13	5UM-8183G-20	39 - 6	5UM-84736-E0	42 - 2		33 - 2	90149-05162	43 - 16		32 - 18
3JD-25917-00	31 - 13	5UM-81861-00	39 - 3	5UM-84737-E0	42 - 3	90105-06108	33 - 2	90149-06074	13 - 18	90201-08061	12 - 21
	33 - 15	5UM-81890-10	39 - 1	5TJ-84781-U0	42 - 5	90105-06110	33 - 19	90149-06084	2 - 14	90201-080H1	17 - 20
5DH-25919-00	31 - 6	5TJ-81940-12	44 - 27	4AG-85111-00	26 - 20		40 - 6	90149-06108	28 - 24	90201-082A6	7 - 36
5DH-25919-50	33 - 6	5UM-81950-E0	44 - 32	3Y6-85130-02	22 - 14		44 - 21	90149-10031	21 - 4	90201-08410	10 - 46
8CR-25924-00	33 - 12	5UM-81952-E0	44 - 31		42 - 8	90105-06111	6 - 12	90151-04003	24 - 2	90201-08512	5 - 2
3SP-25926-51	31 - 11	5UM-81960-E0	44 - 19	5UM-85540-E0	44 - 1		28 - 9	90151-06044	13 - 14		5 - 5
5DH-25933-00	31 - 9	4WA-81980-00	44 - 18	5UM-85540-F1	44 - 1		33 - 22	90151-06051	31 - 2	90201-096J9	1 - 18
1UY-25937-51	31 - 14	5TJ-81980-00	44 - 17	5UM-85540-L1	44 - 1	90105-06112	7 - 42	90152-06010	15 - 23	90201-10032	36 - 15
	33 - 17	5TJ-82100-01	44 - 22	5UM-85546-E0	44 - 2	90105-06127	20 - 16	90154-05022	44 - 6	90201-10045	21 - 21
5XC-26111-L1	34 - 1	5TJ-82115-00	44 - 25	5XC-85885-00	10 - 48		22 - 16	90157-04005	41 - 6		21 - 27
5XC-26124-90	34 - 11	5UM-82116-E0	44 - 26	5NY-W0041-00	35 - 5	90105-06128	7 - 37	90159-06092	17 - 11		21 - 31
5XC-26143-L0	34 - 12	5SL-82119-10	44 - 29	5UN-W0042-50	37 - 2	90105-06189	13 - 11	90160-05012	42 - 10		36 - 20
5TJ-26240-C0	34 - 3	8CY-82131-00	44 - 24	5MV-W0045-01	31 - 8	90105-08133	21 - 16	90170-14171	2 - 16	90201-104R2	16 - 2
4GY-26241-00	34 - 2	42X-82151-00	44 - 28	1C3-W0046-B0	33 - 8	90105-08134	26 - 15	90170-16326	17 - 17	90201-12020	38 - 6
5BE-26281-00	34 - 4	5UM-82176-E0	44 - 23	3JD-W0047-00	31 - 5		27 - 44	90170-24003	26 - 8	90201-12166	7 - 13
5BE-26282-00	34 - 5	5UL-82310-10	44 - 3	5UN-W0047-50	33 - 5	90105-08137	12 - 20	90179-06028	24 - 15	90201-12790	1 - 14
5SF-26287-10	34 - 7	5UM-8235Y-E0	44 - 35	1UY-W0048-50	31 - 7		31 - 16	90179-08019	32 - 23	90201-14020	24 - 32
5UM-26302-E0	34 - 8	5UM-82510-E1	44 - 33		33 - 7	90105-08143	21 - 34	90179-10658	21 - 20	90201-15701	14 - 18
5UM-26334-E0	43 - 12	5TJ-82540-01	44 - 4	5UN-W0057-00	31 - 4	90105-08147	21 - 26		21 - 30	90201-16018	24 - 19
5UM-26335-E0	34 - 9	5TJ-82590-E0	44 - 16	5UN-W0057-50	33 - 4	90105-08150	21 - 22	90179-12657	38 - 5	90201-162H4	15 - 11
5HD-26337-00	43 - 5	5TJ-82590-F0	44 - 16	5XE-W2587-10	35 - 4	90105-08151	7 - 35	90179-16011	30 - 13	90201-167P7	15 - 7
5TA-26339-00	43 - 17	5TJ-82911-80	43 - 1	90101-06041	20 - 4	90105-08154	26 - 14	90179-18001	17 - 3	90201-177G4	15 - 17
1C3-26342-50	34 - 10	5XD-82913-00	43 - 10	90101-06044	15 - 14	90105-08156	21 - 6		18 - 28	90201-20020	32 - 26
5NY-26372-00	35 - 17	5TJ-82917-02	43 - 7	90101-08006	32 - 22	90105-08224	12 - 19	90179-28013	26 - 4	90201-20021	16 - 5
5TJ-26372-80	43 - 8	5XD-82946-00	43 - 9	90105-05014	21 - 43	90105-08307	21 - 7	90183-060A6	6 - 4	90201-203L1	16 - 6
5XC-27200-A1	36 - 1	5TJ-83500-F0	40 - 1	90105-05016	26 - 18	90105-09002	1 - 17		6 - 8	90201-20685	15 - 3
5UN-27217-00	37 - 8	5TJ-83500-G0	40 - 1	90105-06027	1 - 6	90105-09004	1 - 16	90185-08008	32 - 17	90201-21014	24 - 25
5XC-27217-90	36 - 2	5UM-83519-E0	40 - 5	90105-06064	23 - 16	90105-10174	21 - 19	90185-08009	21 - 17	90201-24016	26 - 9
5UN-27218-00	37 - 3	5UM-83595-E0	40 - 13		23 - 22	90105-10176	21 - 29	90185-10012	25 - 23	90201-286K9	26 - 6
5UN-27222-00	37 - 4	5TJ-83755-C0	40 - 7		41 - 10	90105-10191	21 - 25	90185-10018	36 - 23	90202-05193	28 - 23
5UM-27311-E0	36 - 16	5TJ-8375E-C0	40 - 11	90105-06081	13 - 16	90109-06034	43 - 3	90185-14010	24 - 33	90202-08045	10 - 5

NUMERICAL INDEX

PART NO.	REF. NO.	PART NO.	REF. NO.	PART NO.	REF. NO.	PART NO.	REF. NO.	PART NO.	REF. NO.	PART NO.	REF. NO.
90206-06090	12 - 5	90430-10005	35 - 2	90501-043E0	8 - 18	92902-08200	21 - 35	93306-27208	18 - 11	95022-06008	44 - 30
90209-16011	24 - 24		37 - 14	90501-052G5	20 - 6	92902-10200	25 - 21	93306-27212	32 - 3	95022-06010	1 - 8
90209-20008	18 - 4	90430-10188	8 - 10	90501-06022	19 - 3		26 - 12	93306-90409	30 - 2		17 - 28
	18 - 18		13 - 8	90501-120A3	41 - 7	93101-14164	14 - 17	93306-90509	19 - 2	95022-06012	5 - 15
90209-23012	18 - 14	90445-08027	11 - 14	90501-147A5	15 - 21	93102-12106	5 - 7	93310-42057	16 - 7		8 - 17
90215-14204	2 - 15	90445-09027	28 - 3	90501-160A2	15 - 6	93102-12224	17 - 26	93310-63238	2 - 5	95022-06016	7 - 27
90215-16289	17 - 16	90445-09220	28 - 3	90501-220A0	17 - 10		20 - 14	93311-32261	2 - 17		14 - 15
90215-20003	17 - 2	90445-09251	28 - 5	90506-16007	36 - 5	93102-18278	15 - 15	93315-32166	24 - 21	95022-06025	4 - 11
	18 - 27	90445-14010	7 - 29	90506-30005	36 - 17	93102-26468	30 - 4	93315-32269	24 - 27		5 - 13
90240-08120	36 - 6	90445-217G3	36 - 18	90508-26561	19 - 9	93102-28010	18 - 25	93317-11287	17 - 25		7 - 17
90240-10004	36 - 11	90450-17001	7 - 30	90508-28015	36 - 13	93105-47007	40 - 8	93317-22262	24 - 4		7 - 21
90249-05004	9 - 35	90450-20078	11 - 2	90508-28018	36 - 14	93106-22002	24 - 6	93332-00068	26 - 2		7 - 24
90249-05005	9 - 34	90450-22001	6 - 24	90508-291A8	20 - 12	93106-30001	32 - 5	93332-00081	26 - 1		14 - 27
90267-40129	22 - 13		7 - 22	90508-30743	15 - 9	93106-30045	32 - 6	93340-21008	17 - 19	95022-06030	14 - 11
90267-48084	42 - 7	90450-25001	6 - 23	91312-05012	14 - 36	93109-11073	5 - 6	93342-22217	24 - 5	95022-06035	1 - 30
90280-03006	2 - 11	90450-32003	6 - 25	91312-05020	38 - 3	93109-22019	24 - 28	93410-20038	15 - 4		14 - 23
90338-07043	9 - 21	90450-57010	9 - 3	91312-06012	6 - 17	93109-25001	24 - 22	93410-22039	18 - 5		14 - 28
90340-12007	1 - 7	90450-61002	9 - 10	91312-06014	38 - 4	93109-28043	24 - 7		18 - 19	95022-06040	14 - 10
	1 - 13	90464-06004	44 - 34	91312-06016	7 - 34	93210-07003	8 - 14	93410-26067	18 - 15	95022-06065	5 - 14
90340-14015	14 - 4	90464-11M18	42 - 11	91312-06025	7 - 6	93210-07135	8 - 4	93420-16086	2 - 21	95022-08040	21 - 12
90340-27004	14 - 2	90464-13073	44 - 10		8 - 7	93210-09525	8 - 15	93440-07182	5 - 3	95022-10016	13 - 7
90387-06009	22 - 21	90464-13077	44 - 7		9 - 2	93210-09754	7 - 28		17 - 21	95602-05100	43 - 15
90387-06065	6 - 11	90464-15152	44 - 8		16 - 12	93210-10197	7 - 8	93440-10153	7 - 4	95602-05200	22 - 15
	28 - 15	90464-15195	44 - 12		39 - 8		7 - 19	93440-41178	4 - 3		42 - 9
90387-06090	22 - 2	90464-16061	44 - 11	91312-06045	13 - 3		7 - 25	93503-08007	8 - 19	95602-06200	26 - 21
	28 - 13	90464-23041	44 - 15	91312-06055	13 - 4		13 - 21	93507-32009	15 - 22	95602-10200	25 - 20
90387-06104	26 - 24	90465-10013	13 - 25	91312-06065	8 - 6	93210-11073	36 - 3	93511-32027	17 - 22		26 - 13
90387-06150	7 - 40	90465-13152	44 - 13	91312-06070	13 - 5	93210-12010	8 - 16	93603-16219	7 - 2	95612-08620	1 - 11
90387-06161	7 - 44	90465-13275	28 - 27	91312-06100	13 - 6	93210-14369	7 - 33	93604-10011	5 - 11	95701-06500	35 - 14
90387-08041	21 - 11		44 - 9	91312-06110	14 - 12		14 - 5	93608-33002	20 - 13	95702-05500	40 - 4
90387-08081	12 - 17	90467-07138	11 - 15	91316-04012	10 - 3	93210-15414	6 - 16	93612-16254	1 - 29	95702-06500	1 - 28
90387-086N4	21 - 15	90467-09006	11 - 16	91317-06030	7 - 7	93210-16716	14 - 25		13 - 2		27 - 53
90387-1003G	36 - 21	90467-090A2	6 - 27	91402-20012	36 - 4	93210-17570	15 - 24	9383B-13218	18 - 26	95702-08500	12 - 7
90387-124F4	20 - 11		23 - 29	91402-25015	36 - 12	93210-19123	14 - 7		18 - 26	97002-05016	43 - 13
90387-14009	24 - 29	90467-100A1	28 - 22	91808-16023	1 - 4	93210-196A4	18 - 23	9383B-14222	18 - 26	97022-06016	4 - 7
90387-16025	24 - 23	90467-140A4	1 - 22		1 - 5	93210-21001	44 - 5	94108-21015	30 - 7	97702-40010	40 - 10
90387-18004	24 - 9		11 - 12	91812-16001	14 - 22	93210-25711	39 - 5	94110-18009	32 - 10		42 - 12
90387-18007	13 - 23	90467-16063	11 - 6	91A20-05140	6 - 26	93210-27370	14 - 3	94211-18176	32 - 11	97702-50016	42 - 10
90387-18012	24 - 8	90467-17089	1 - 23	92012-05008	12 - 14	93210-47675	8 - 3	94227-21101	30 - 8	97702-50516	9 - 23
90387-20006	18 - 8		9 - 25		40 - 12	93210-60426	14 - 14	94309-18146	32 - 12		9 - 27
90387-22001	18 - 24		11 - 13	92012-05012	43 - 14	93300-60839	21 - 14	94309-21161	30 - 9		9 - 39
90401-08006	8 - 11	90468-16001	36 - 8	92012-06010	6 - 3	93306-00105	5 - 8	94416-21005	30 - 5		41 - 5
90401-10015	8 - 9	90480-10289	7 - 39		6 - 7	93306-00317	18 - 22	94418-18006	32 - 8	97702-60016	22 - 24
90401-10172	35 - 3	90480-12020	41 - 9	92012-06012	40 - 16	93306-00320	18 - 10	94421-18005	32 - 8	98502-04010	10 - 69
	37 - 13	90480-14012	40 - 2	92902-04100	10 - 70	93306-07202	32 - 4	94591-53114	4 - 4	98502-05010	37 - 16
90430-06014	1 - 9	90480-14433	7 - 43	92902-06600	4 - 8	93306-20335	2 - 10	94681-76021	32 - 28	98507-05020	34 - 6
	5 - 12	90480-15528	6 - 10		40 - 17	93306-20447	18 - 2	94701-00410	1 - 12	98702-06025	28 - 17
90430-08119	8 - 12	90480-18549	28 - 7	92902-08200	21 - 28	93306-20648	2 - 7	94701-00411	1 - 12	98706-04012	35 - 9

NUMERICAL INDEX

PART NO.	REF. NO.	PART NO.	REF. NO.	PART NO.	REF. NO.	PART NO.	REF. NO.	PART NO.	REF. NO.
98980-06008	12 - 4								
99001-08600	7 - 12								
99002-04600	9 - 36								
99009-12400	7 - 14								
99009-16400	15 - 8								
99009-17400	15 - 18								
99009-22500	14 - 19								
99009-45500	32 - 7								
99530-08012	7 - 5								
	16 - 11								
99530-08016	14 - 9								
	14 - 30								
99530-10114	7 - 9								
	7 - 20								
	7 - 26								
	13 - 22								
99530-10116	13 - 24								
9Y581-76113	32 - 27								