



PARTS CATALOGUE

WR250FY (5UMP) CANADA

WR250F (5UMR) EUROPE

WR250FY (5UMS) OCEANIA, SOUTH AFRICA



2008-12-9

1H5UM-100E1

()

NEWS No.	DATE	COMMENT
PE0-MC-080089	Nov.,27,2008	COR:FIG.33 REAR BRAKE CALIPER ILLUSTRATION CORRECTION

WR250FY/WR250F
PARTS CATALOGUE
©2008 by Yamaha Motor Co., Ltd.
1st edition, August 2008
All rights reserved.
Any reprinting or unauthorized use
without the written permission of
Yamaha Motor Co., Ltd.
is expressly prohibited.
Printed in Japan.

FOREWORD

This Parts Catalogue is related to the parts for the model(s) on the cover page. When you are ordering replacement parts, please refer to this Parts Catalogue and quote both part numbers and part names correctly.

1. Modifications or additions which have been made after the issue of the Parts Catalogue will be announced in the Parts News.

It is advisable that you make the necessary corrections to the Parts Catalogue according to the Parts News.

2. Abbreviations

The following abbreviations are used in this Parts Catalogue.

“UR” Use specified parts number.

“UN” Use as many as needed.

“AP” Alternate Parts

“LM” Locally Made (Parts need to be ordered locally)

“F#” Frame No. (Applicable machine No.)

“O/S” Over Size

3. The number of components for assembly

- Parts, which are to be supplied in an assembly, are listed with a dot (.) in front of the part name as shown below.
- The numeral appearing to the right of each component part indicates the quantity of parts for each assembly unit.

PART NO.	DESCRIPTION	Q'TY	REMARKS
2F5-83310-60	FRONT FLASHER LIGHT ASSY	2	
115-83311-60	.BULB (6V-18W)	1	

4. Applicable colours of graphics are represented in the “REMARKS” as shown below.

PART NO.	DESCRIPTION	Q'TY	REMARKS
2N4-24110-00-X5	FUEL TANK COMP.	2	MXR
3J1-24240-10	.GRAPHIC, FUEL TANK	1	FOR MXR

5. Note that the illustrations for reference in finding parts numbers are not to be used for assembling. When assembling, please use the applicable service manual.

6. The asterisk (*) before a reference number indicates modified items after the first edition.

CONTENTS

ENGINE

CYLINDER	1
CRANKSHAFT & PISTON	3
VALVE	4
CAMSHAFT & CHAIN	6
WATER PUMP	7
RADIATOR & HOSE	8
OIL PUMP	9
OIL CLEANER	11
INTAKE	12
CARBURETOR	14
AIR INDUCTION SYSTEM	19
EXHAUST	20
CRANKCASE	21
CRANKCASE COVER 1	22
STARTER	24
STARTER CLUTCH	25
CLUTCH	26
TRANSMISSION	28
SHIFT CAM & FORK	30
SHIFT SHAFT	31

CHASSIS

FRAME	32
FENDER	34
SIDE COVER	35
REAR ARM	36
REAR SUSPENSION	38
STEERING	40
FRONT FORK	41
FUEL TANK	44
SEAT	46
FRONT WHEEL	47
FRONT BRAKE CALIPER	48
REAR WHEEL	49
REAR BRAKE CALIPER	51
STEERING HANDLE & CABLE	52
FRONT MASTER CYLINDER	53
STAND & FOOTREST	54
REAR MASTER CYLINDER	55
GENERATOR	56
STARTING MOTOR	57

METER	58
HEADLIGHT	59
TAILLIGHT	60
HANDLE SWITCH & LEVER	61
ELECTRICAL 1	62
ALTERNATE FOR CHASSIS	64

INDEX

NUMERICAL INDEX	65
-----------------------	----

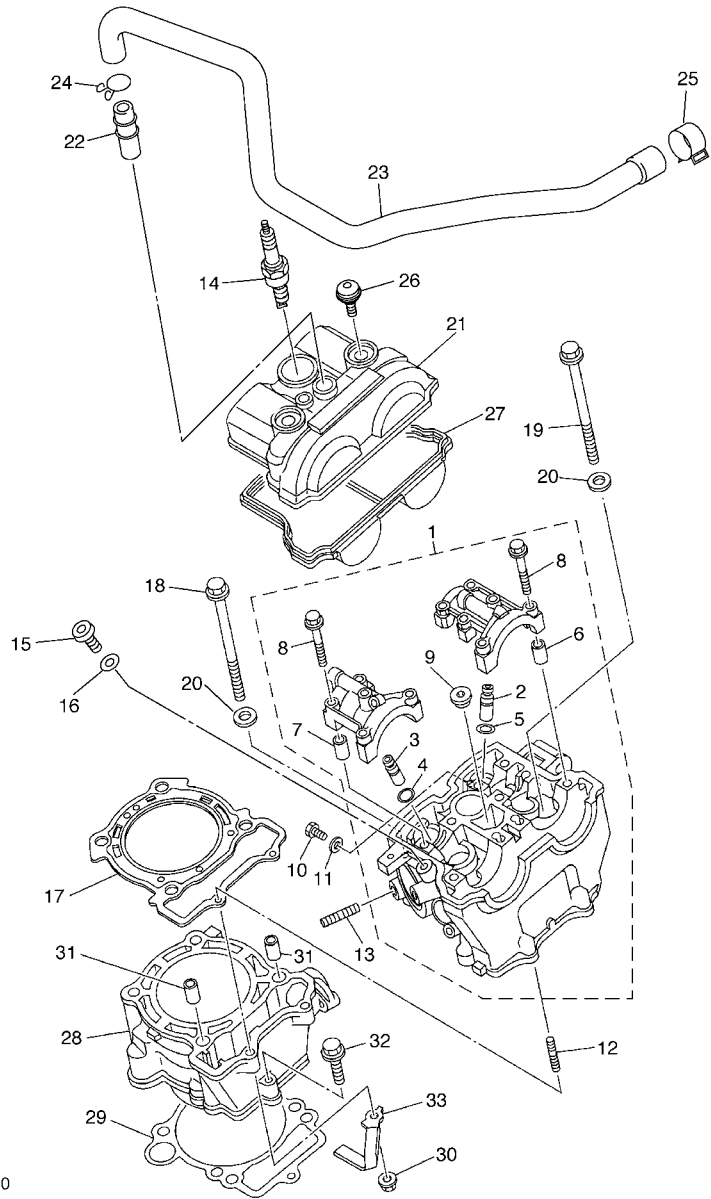
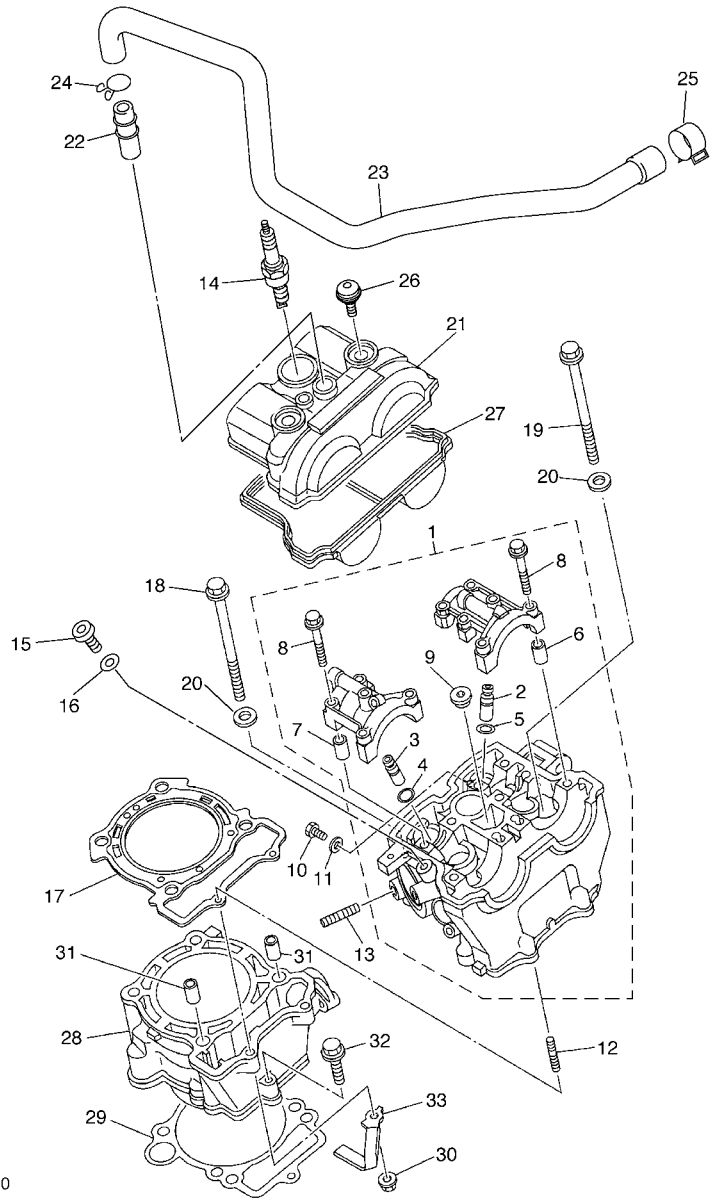


FIG. 1 CYLINDER

REF. NO.	PART NO.	DESCRIPTION	SUMP	SUMR	SUMS	REMARKS
1	5UM-11101-10	CYLINDER HEAD ASSY	1	1	1	
2	5NL-11133-10	.GUIDE, VALVE 1	3	3	3	
3	5NL-11134-10	.GUIDE, VALVE 2	2	2	2	
4	93440-10153	.CIRCLIP	2	2	2	
5	93440-07149	.CIRCLIP	3	3	3	
6	91808-16023	.PIN, DOWEL	2	2	2	
7	91808-16023	.PIN, DOWEL	2	2	2	
8	90105-06027	.BOLT, FLANGE	10	10	10	
9	90340-12007	.PLUG, STRAIGHT SCREW	1	1	1	
10	95022-06010	BOLT, FLANGE	1	1	1	
11	90430-06014	GASKET	1	1	1	
12	90116-06038	BOLT, STUD	2	2	2	
13	95612-08620	BOLT, STUD	2	2	2	
14	94701-00410	PLUG, SPARK (NGK R CR9E)	1	1	1	STD
	94701-00411	PLUG, SPARK (NGK R CR8E)	1	1	1	AP
15	90340-12007	PLUG, STRAIGHT SCREW	1	1	1	
16	90201-12790	WASHER, PLATE	1	1	1	
17	5NL-11181-00	GASKET, CYLINDER HEAD 1	1	1	1	
18	90105-09004	BOLT, FLANGE	2	2	2	
19	90105-09002	BOLT, FLANGE	2	2	2	
20	90201-096J9	WASHER, PLATE	4	4	4	
21	5NL-11191-40	COVER, CYLINDER HEAD 1	1	1	1	
22	371-11167-01	PIPE, BREATHER 2	1	1	1	
23	5UM-11166-00	PIPE, BREATHER 1	1	1	1	
24	90467-140A4	CLIP	1	1	1	
25	90467-17089	CLIP	1	1	1	
26	5UM-1119E-00	BOLT, COVER HEAD	2	2	2	



5UME100-F010

FIG. 1 CYLINDER

REF. NO.	PART NO.	DESCRIPTION	SUMP	SUMR	SUMS	REMARKS
27	5NL-11193-00	GASKET, HEAD COVER 1	1	1	1	
28	5XC-11311-10	CYLINDER 1	1	1	1	
29	5NL-11351-00	GASKET, CYLINDER	1	1	1	
30	95702-06500	NUT, FLANGE	2	2	2	
31	93612-16254	PIN, DOWEL	2	2	2	
32	95022-06035	BOLT, FLANGE	1	1	1	
33	5UM-11387-00	CLAMP, HOSE 1	1	1	1	



5UME100-F020

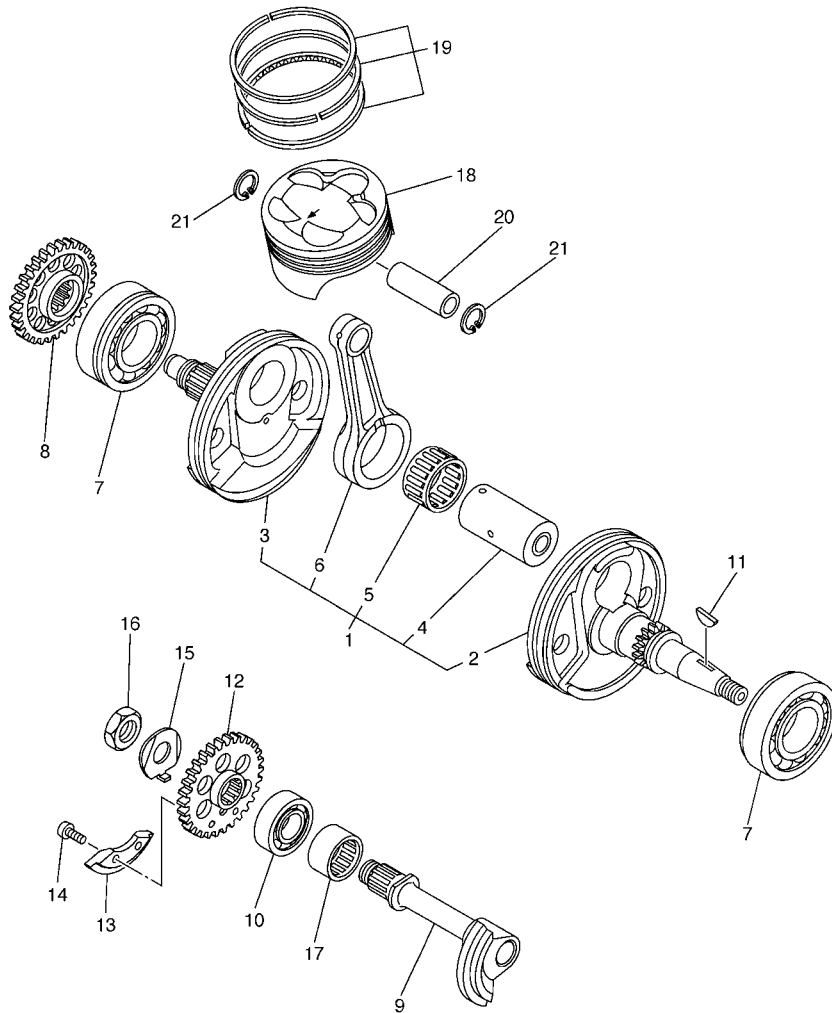
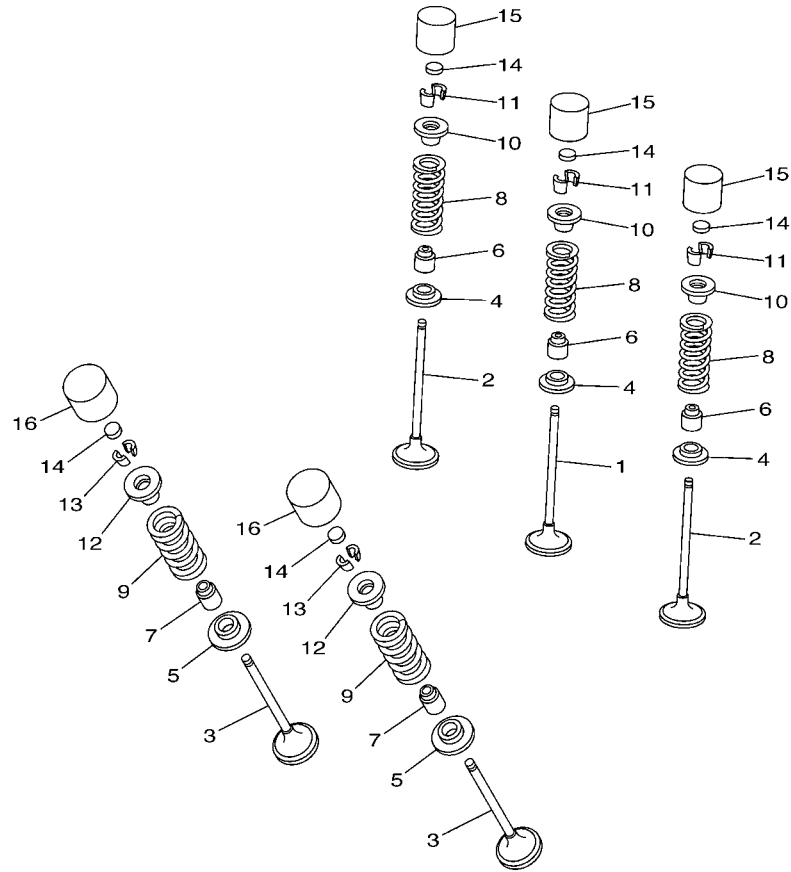


FIG. 2 CRANKSHAFT & PISTON

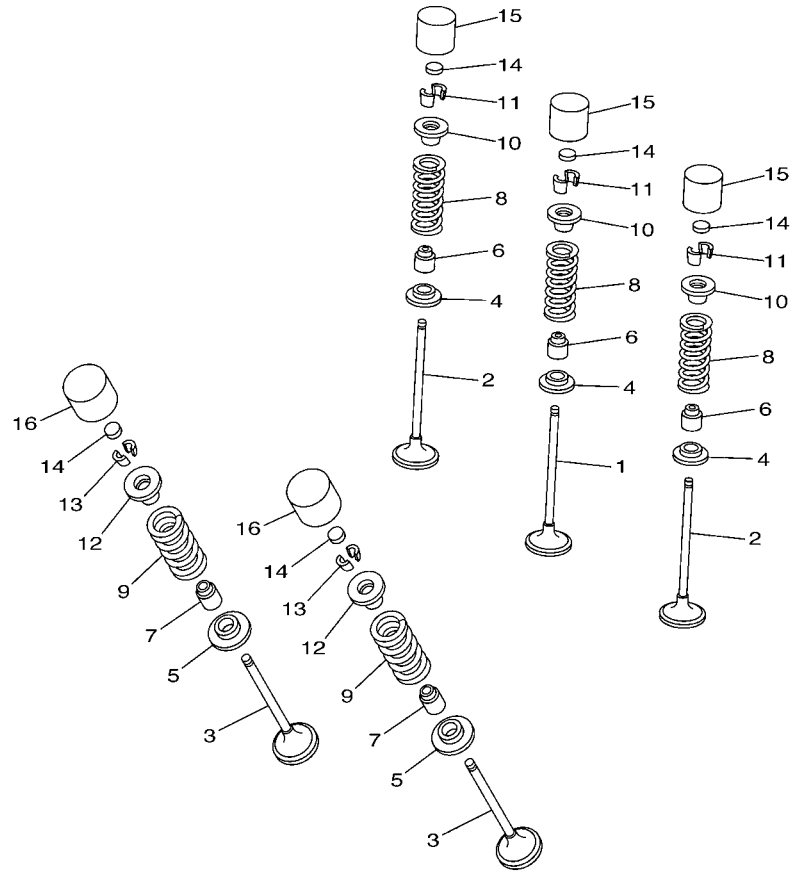
REF. NO.	PART NO.	DESCRIPTION	SUMP	SUMR	SUMS	REMARKS
1	5UM-11400-30	CRANKSHAFT ASSY	1	1	1	
2	5UM-11412-20	.CRANK 1	1	1	1	
3	5UL-11422-10	.CRANK 2	1	1	1	
4	5XC-11681-00	.PIN, CRANK 1	1	1	1	
5	93310-63238	.BEARING	1	1	1	
6	5XC-11651-00	.ROD, CONNECTING	1	1	1	
7	93306-20648	BEARING	2	2	2	
8	5NL-11536-10	GEAR, DRIVE	1	1	1	
9	5NL-11455-00	SHAFT 1	1	1	1	
10	93306-20335	BEARING	1	1	1	
11	90280-03006	KEY, WOODRUFF	1	1	1	
12	5NL-11531-00	GEAR, BALANCE WEIGHT	1	1	1	
13	5NL-11454-00	WEIGHT 1	1	1	1	
14	90149-06084	SCREW	2	2	2	
15	90215-14204	WASHER, LOCK	1	1	1	
16	90170-14171	NUT	1	1	1	
17	93311-32261	BEARING	1	1	1	
18	5NL-11631-20	PISTON (STD)	1	1	1	
19	5NL-11603-00	PISTON RING SET (STD)	1	1	1	
20	5NL-11633-00	PIN, PISTON	1	1	1	
21	93420-16086	CIRCLIP	2	2	2	



5NL1100-1030

FIG. 3 VALVE

REF. NO.	PART NO.	DESCRIPTION	SUMP	SUMR	SUMS	REMARKS
1	5NL-12111-20	VALVE, INTAKE	1	1	1	
2	5NL-12112-20	VALVE, INTAKE 2	2	2	2	
3	5NL-12121-10	VALVE, EXHAUST	2	2	2	
4	5NL-12116-00	SEAT, VALVE SPRING	3	3	3	
5	3GM-12126-00	SEAT, VALVE SPRING 2	2	2	2	
6	4TV-12119-00	SEAL, VALVE STEM	3	3	3	
7	4SV-12119-00	SEAL, VALVE STEM	2	2	2	
8	5UM-12113-00	SPRING, VALVE INNER	3	3	3	
9	5NL-12114-00	SPRING, VALVE OUTER	2	2	2	
10	1HX-12117-00	RETAINER, VALVE SPRING	3	3	3	
11	1HX-12118-00	COTTER, VALVE	6	6	6	
12	1WG-12117-00	RETAINER, VALVE SPRING	2	2	2	
13	1WG-12118-00	COTTER, VALVE	4	4	4	
14	1HX-12168-00	PAD, ADJUSTING 2 (1.20)	5	5	5	UR
	1HX-12168-20	PAD, ADJUSTING 2 (1.25)	5	5	5	UR
	1HX-12168-40	PAD, ADJUSTING 2 (1.30)	5	5	5	UR
	1HX-12168-60	PAD, ADJUSTING 2 (1.35)	5	5	5	UR
	1HX-12168-80	PAD, ADJUSTING 2 (1.40)	5	5	5	UR
	1HX-12168-A0	PAD, ADJUSTING 2 (1.45)	5	5	5	UR
	1HX-12168-F0	PAD, ADJUSTING 2 (1.50)	5	5	5	UR
	1HX-12168-H1	PAD, ADJUSTING 2 (1.55)	5	5	5	UR
	1HX-12168-K1	PAD, ADJUSTING 2 (1.60)	5	5	5	UR
	1HX-12168-M1	PAD, ADJUSTING 2 (1.65)	5	5	5	UR
	1HX-12168-R1	PAD, ADJUSTING 2 (1.70)	5	5	5	UR
	1HX-12168-U1	PAD, ADJUSTING 2 (1.75)	5	5	5	UR
	1HX-12168-W1	PAD, ADJUSTING 2 (1.80)	5	5	5	UR
	1HX-12168-Y1	PAD, ADJUSTING 2 (1.85)	5	5	5	UR



5NL1100-1030

FIG. 3 VALVE

REF. NO.	PART NO.	DESCRIPTION	SUMP	SUMR	SUMS	REMARKS
14	1HX-12169-11	PAD, ADJUSTING 2 (1.90)	5	5	5	UR
	1HX-12169-31	PAD, ADJUSTING 2 (1.95)	5	5	5	UR
	1HX-12169-50	PAD, ADJUSTING 2 (2.00)	5	5	5	UR
	1HX-12169-70	PAD, ADJUSTING 2 (2.05)	5	5	5	UR
	1HX-12169-90	PAD, ADJUSTING 2 (2.10)	5	5	5	UR
	1HX-12169-E0	PAD, ADJUSTING 2 (2.15)	5	5	5	UR
	1HX-12169-G0	PAD, ADJUSTING 2 (2.20)	5	5	5	UR
	1HX-12169-J0	PAD, ADJUSTING 2 (2.25)	5	5	5	UR
	1HX-12169-L0	PAD, ADJUSTING 2 (2.30)	5	5	5	UR
	1HX-12169-N0	PAD, ADJUSTING 2 (2.35)	5	5	5	UR
	1HX-12169-T0	PAD, ADJUSTING 2 (2.40)	5	5	5	UR
15	3LN-12153-10	LIFTER, VALVE	3	3	3	YELLOW
16	3FV-12153-10	LIFTER, VALVE	2	2	2	YELLOW

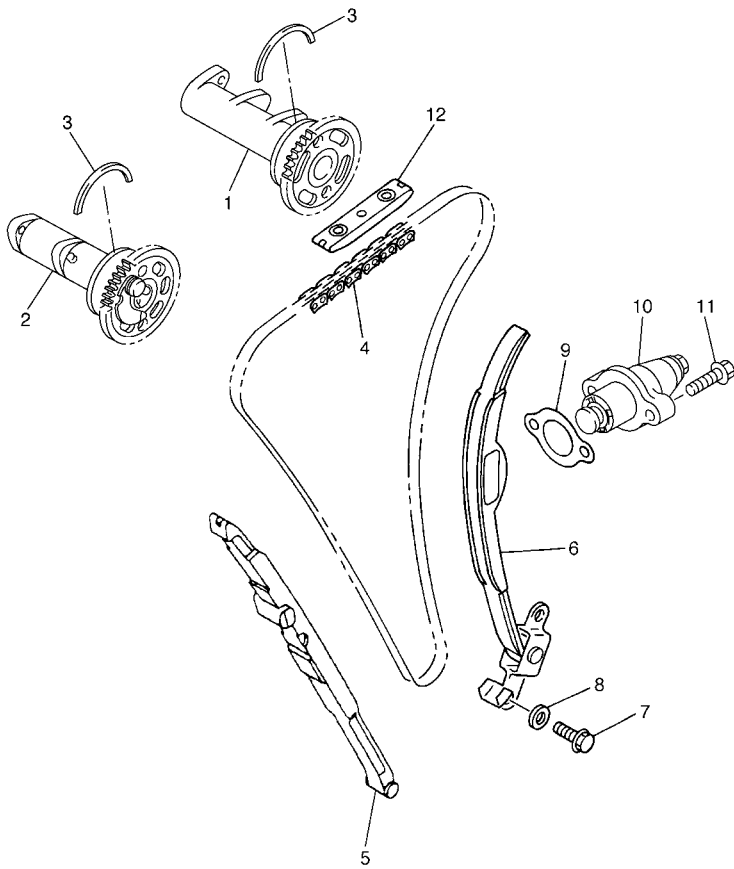


FIG. 4 CAMSHAFT & CHAIN

REF. NO.	PART NO.	DESCRIPTION	5UM	5UMR	5UMS	REMARKS
1	5UM-12170-10	CAMSHAFT ASSY 1	1	1	1	
2	5UM-12180-20	CAMSHAFT ASSY 2	1	1	1	
3	93440-41178	CIRCLIP	2	2	2	
4	94591-53114	CHAIN	1	1	1	
5	5NL-12251-10	DAMPER, CHAIN 1	1	1	1	
6	5NL-12252-00	DAMPER, CHAIN 2	1	1	1	
7	97022-06016	BOLT	2	2	2	
8	92902-06600	WASHER, PLATE	2	2	2	
9	4FM-12213-00	GASKET, TENSIONER CASE	1	1	1	
10	5TA-12210-20	TENSIONER ASSY, CAM CHAIN	1	1	1	
11	95022-06025	BOLT, FLANGE	2	2	2	
12	5BE-12241-00	GUIDE, STOPPER 2	1	1	1	



5UMB100-E040

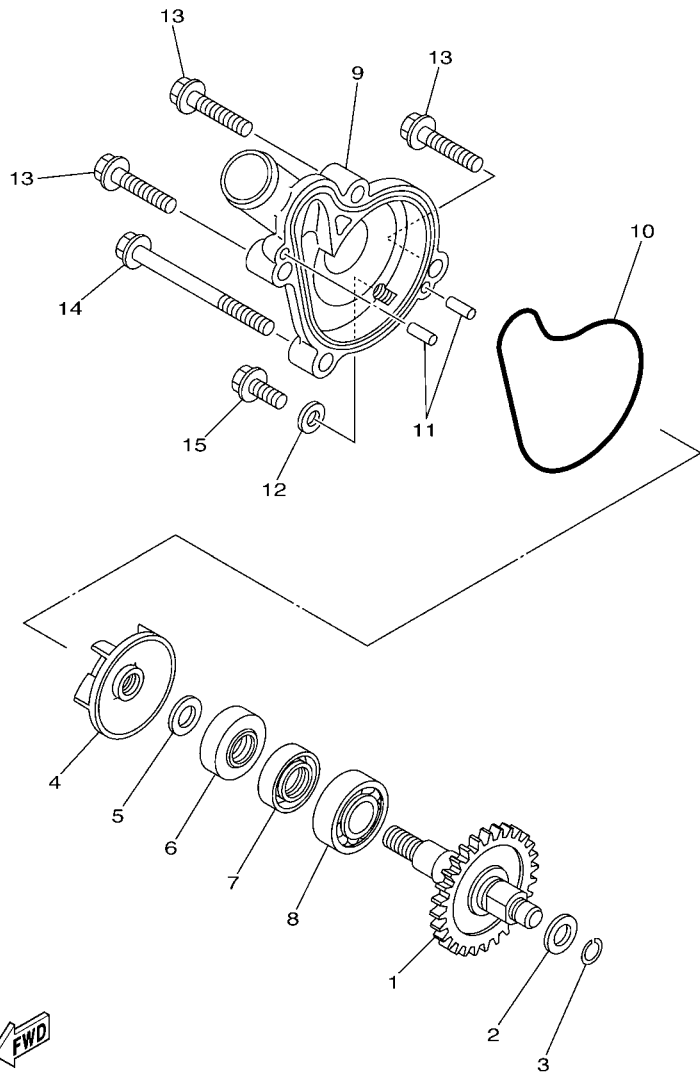
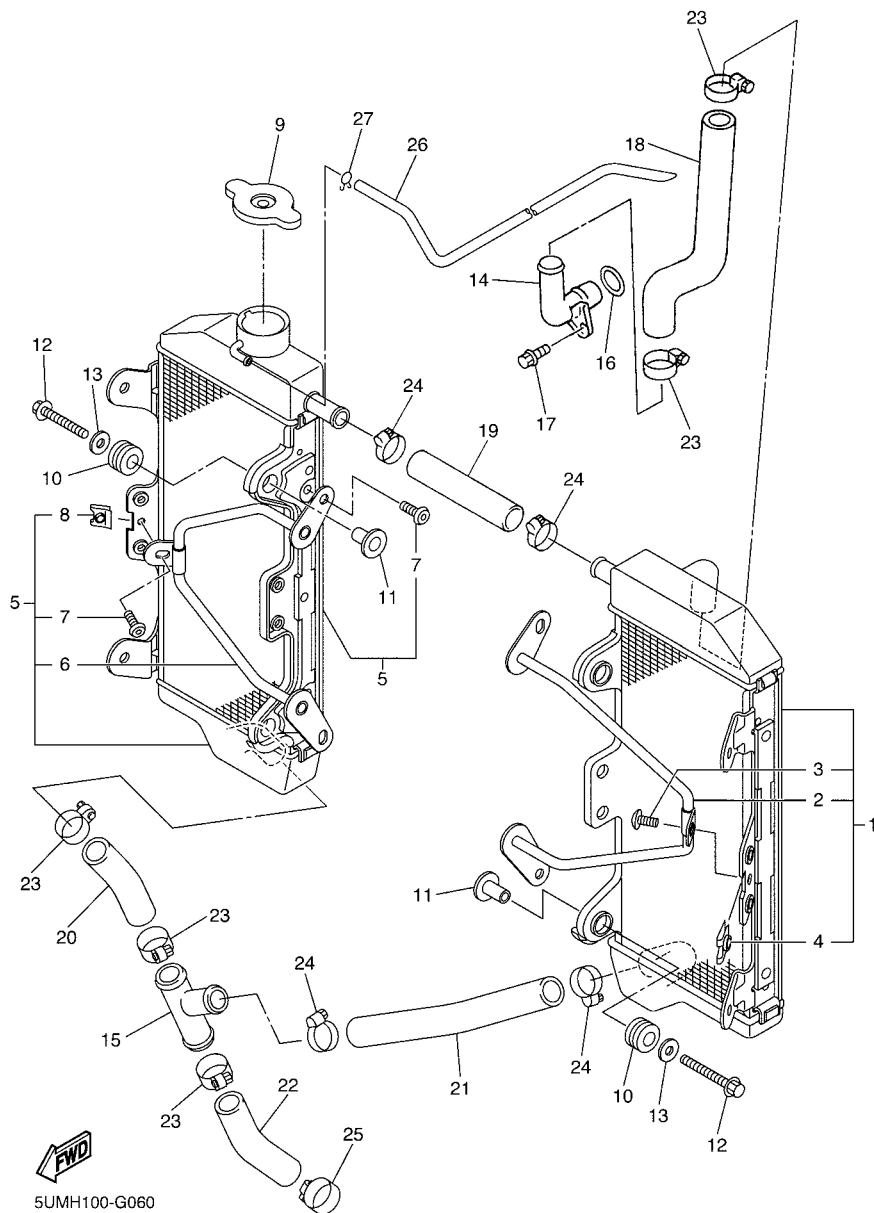


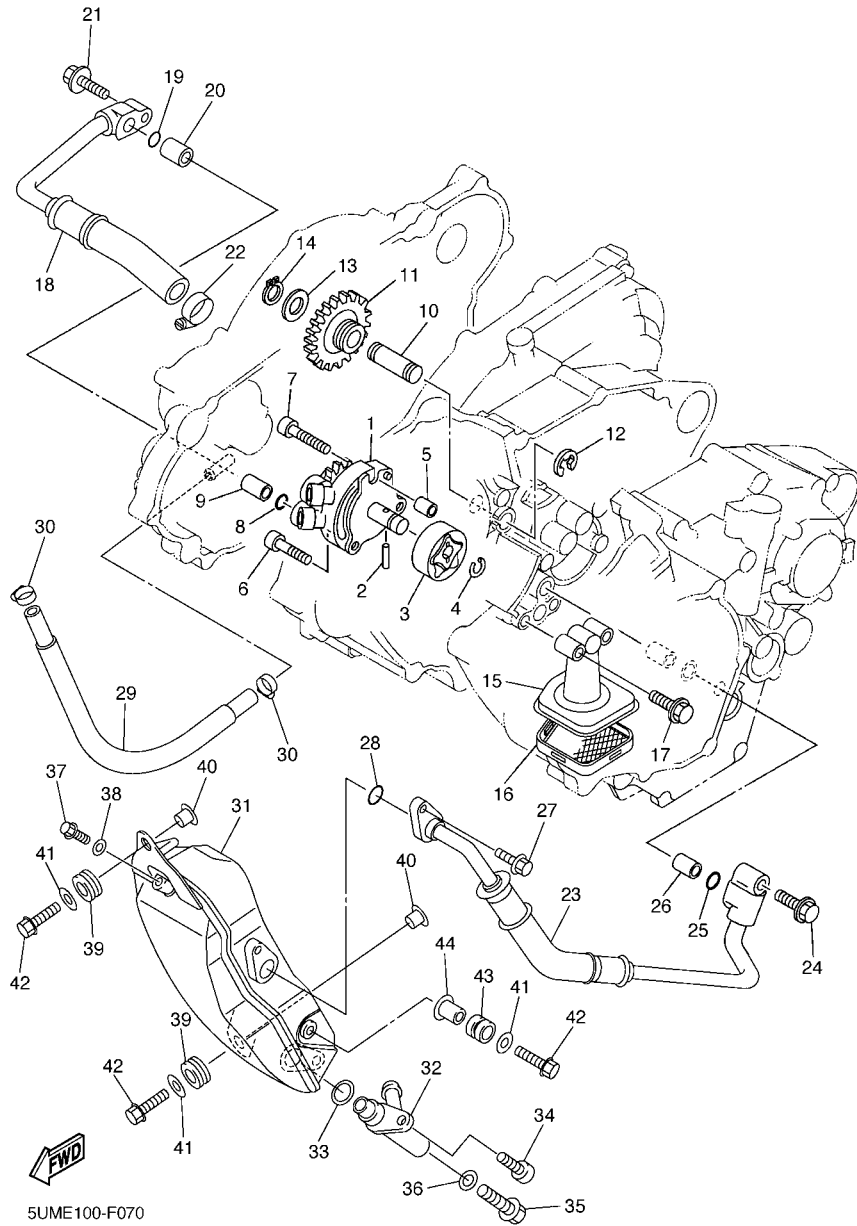
FIG. 5 WATER PUMP

REF. NO.	PART NO.	DESCRIPTION	SUMP	SUMR	SUMS	REMARKS
1	5XC-12459-00	GEAR, IMPELLER SHAFT	1	1	1	
2	90201-08512	WASHER, PLATE	1	1	1	
3	93440-07182	CIRCLIP	1	1	1	
4	5DH-12451-00	IMPELLER, WATER PUMP	1	1	1	
5	90201-08512	WASHER, PLATE	1	1	1	
6	93109-11073	OIL SEAL	1	1	1	
7	93102-12106	OIL SEAL (SD 12-22-5 HS)	1	1	1	
8	93306-00105	BEARING	1	1	1	
9	5NL-12422-10	COVER, HOUSING	1	1	1	
10	5NL-12439-00	O-RING	1	1	1	
11	93604-10011	PIN, DOWEL	2	2	2	
12	90430-06014	GASKET	1	1	1	
13	95022-06025	BOLT, FLANGE	3	3	3	
14	95022-06065	BOLT, FLANGE	1	1	1	
15	95022-06012	BOLT, FLANGE	1	1	1	

FIG. 6 RADIATOR & HOSE

REF. NO.	PART NO.	DESCRIPTION	SUMP	SUMR	SUMS	REMARKS
1	5UM-1240A-E0	RADIATOR ASSY	1	1	1	
2	2S2-12464-70	.STAY, RADIATOR	1	1	1	
3	92012-06010	.BOLT, BUTTON HEAD	3	3	3	
4	90183-060A6	.NUT, SPRING	1	1	1	
5	5UM-12461-E0	RADIATOR ASSY	1	1	1	
6	2S2-12464-70	.STAY, RADIATOR	1	1	1	
7	92012-06010	.BOLT, BUTTON HEAD	3	3	3	
8	90183-060A6	.NUT, SPRING	1	1	1	
9	22W-12462-00	CAP, RADIATOR	1	1	1	
10	90480-15528	GROMMET	4	4	4	
11	90387-06065	COLLAR	4	4	4	
12	90105-06111	BOLT, FLANGE	4	4	4	
13	90201-06571	WASHER, PLATE	4	4	4	
14	5XC-12481-90	PIPE 1	1	1	1	
15	5XC-12482-90	PIPE 2	1	1	1	
16	93210-15414	O-RING	1	1	1	
17	91312-06012	BOLT	1	1	1	
18	5XC-12576-90	HOSE 1	1	1	1	
19	1C3-12482-00	PIPE 2	1	1	1	
20	5XC-12578-90	HOSE 3	1	1	1	
21	5XC-12579-91	HOSE 4	1	1	1	
22	5XC-1244H-90	HOSE 5	1	1	1	
23	90450-25001	HOSE CLAMP ASSY	5	5	5	
24	90450-22001	HOSE CLAMP ASSY	4	4	4	
25	90450-32003	HOSE CLAMP ASSY	1	1	1	
26	91A20-05140	TUBE, FLEXIBLE VINYL	1	1	1	
27	90467-090A2	CLIP	1	1	1	

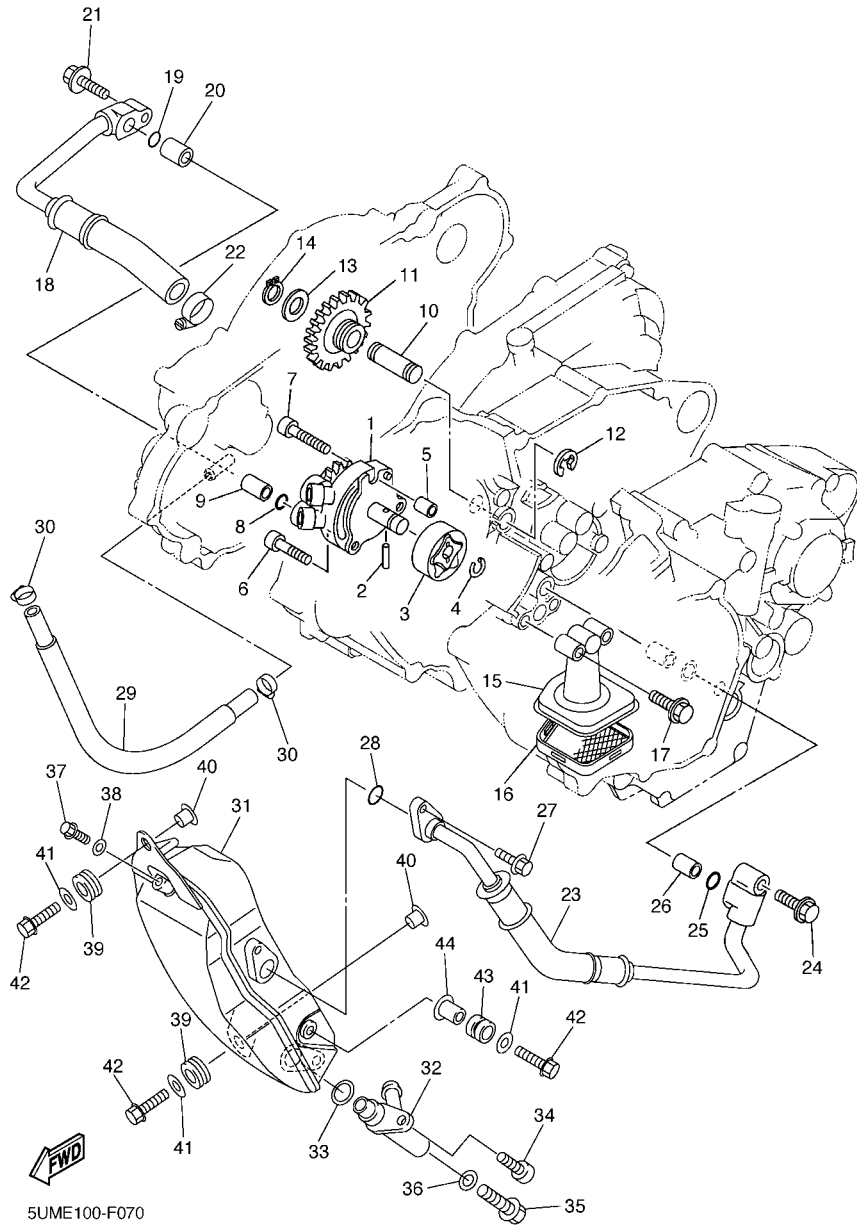




5UME100-F070

FIG. 7 OIL PUMP

REF. NO.	PART NO.	DESCRIPTION	SUMP	SUMR	SUMS	REMARKS
1	5SG-13300-01	OIL PUMP ASSY	1	1	1	
2	93603-16219	PIN, DOWEL	1	1	1	
3	5NL-13320-00	ROTOR ASSY 2	1	1	1	
4	93440-10153	CIRCLIP	1	1	1	
5	99530-08012	PIN, DOWEL	1	1	1	
6	91312-06025	BOLT	2	2	2	
7	91317-06030	BOLT	1	1	1	
8	93210-10197	O-RING	1	1	1	
9	99530-10114	PIN, DOWEL	1	1	1	
10	5BE-13342-00	SHAFT, IDLE GEAR	1	1	1	
11	5NL-13341-00	GEAR, OIL PUMP IDLE	1	1	1	
12	99001-08600	CIRCLIP	1	1	1	
13	90201-12166	WASHER, PLATE	1	1	1	
14	99009-12400	CIRCLIP	1	1	1	
15	5XC-13412-00	HOUSING, STRAINER	1	1	1	
16	5NL-13411-00	STRAINER, OIL	1	1	1	
17	95022-06025	BOLT, FLANGE	2	2	2	
18	5XC-13464-20	HOSE, OIL 1	1	1	1	
19	93210-10197	O-RING	1	1	1	
20	99530-10114	PIN, DOWEL	1	1	1	
21	95022-06025	BOLT, FLANGE	1	1	1	
22	90450-22001	HOSE CLAMP ASSY	1	1	1	
23	5XC-13465-10	HOSE, OIL 2	1	1	1	
24	95022-06025	BOLT, FLANGE	1	1	1	
25	93210-10197	O-RING	1	1	1	
26	99530-10114	PIN, DOWEL	1	1	1	
27	95022-06016	BOLT, FLANGE	1	1	1	

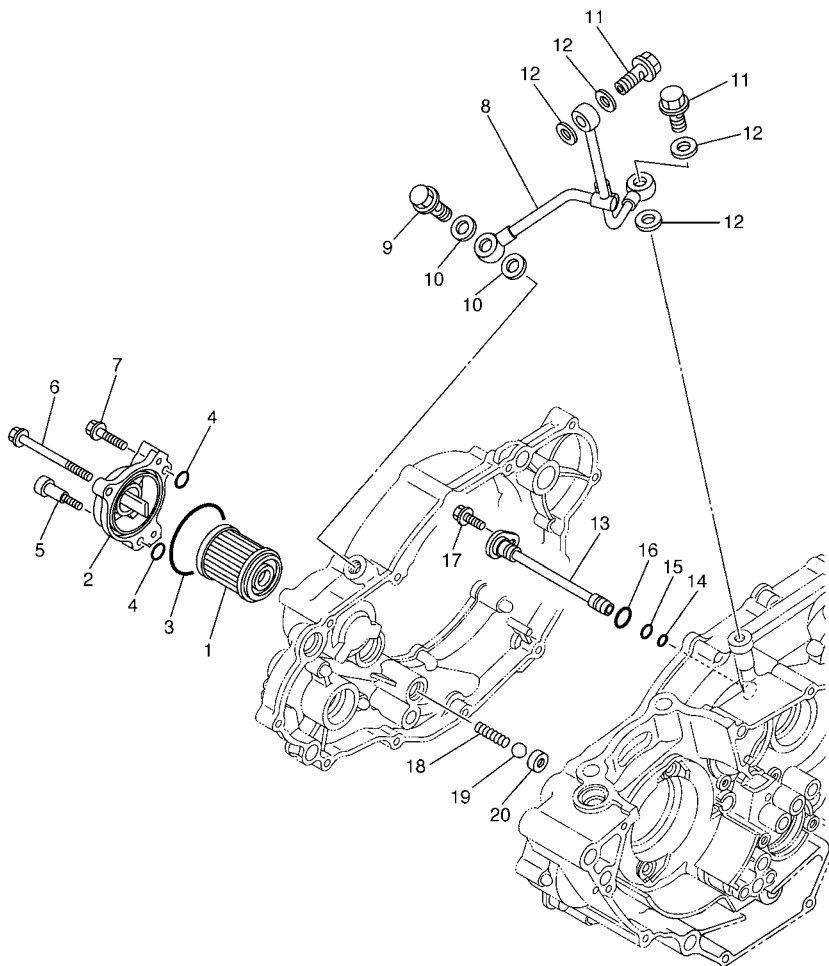


5UME100-F070

FIG. 7 OIL PUMP

REF. NO.	PART NO.	DESCRIPTION	SUMP	SUMR	SUMS	REMARKS
28	93210-09754	O-RING	1	1	1	
29	90445-14010	HOSE	1	1	1	
30	90450-17001	HOSE CLAMP ASSY	2	2	2	
31	5XC-21751-90	TANK, OIL	1	1	1	
32	5XC-13416-90	PIPE, OIL 1	1	1	1	
33	93210-14369	O-RING	1	1	1	
34	91312-06016	BOLT	1	1	1	
35	90105-08151	BOLT, FLANGE	1	1	1	
36	90201-082A6	WASHER, PLATE	1	1	1	
37	90105-06128	BOLT, FLANGE	1	1	1	
38	90201-06630	WASHER, PLATE	1	1	1	
39	90480-10289	GROMMET	2	2	2	
40	90387-06150	COLLAR	2	2	2	
41	90201-06571	WASHER, PLATE	3	3	3	
42	90105-06112	BOLT, FLANGE	3	3	3	
43	90480-14433	GROMMET	1	1	1	
44	90387-06161	COLLAR	1	1	1	

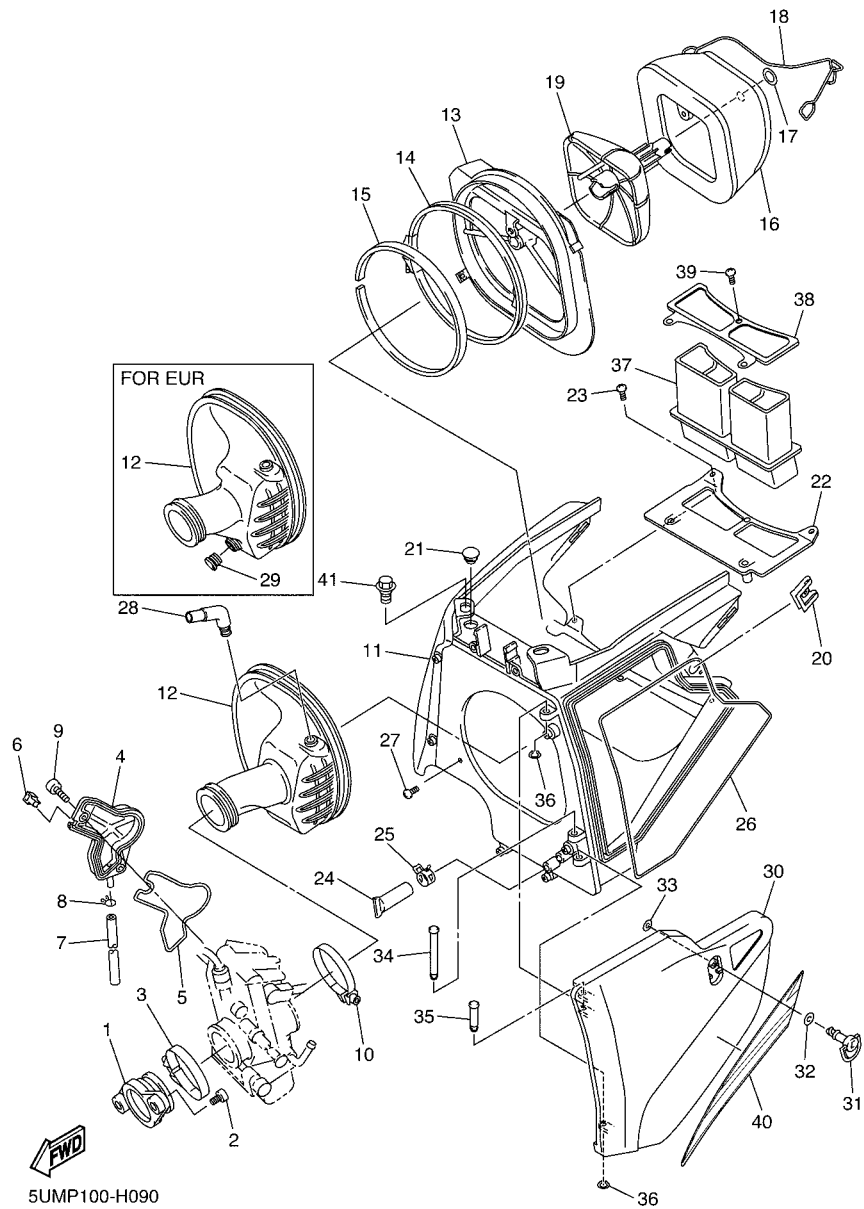
FIG. 8 OIL CLEANER



REF. NO.	PART NO.	DESCRIPTION	SUMP	SUMR	SUMS	REMARKS
1	5D3-13440-00	ELEMENT ASSY, OIL CLEANER	1	1	1	
2	5BE-13447-20	COVER, OIL ELEMENT	1	1	1	
3	93210-47675	O-RING	1	1	1	
4	93210-07135	O-RING	3	3	3	
5	90110-06228	BOLT, HEXAGON SOCKET HEAD	1	1	1	
6	91312-06065	BOLT	1	1	1	
7	91312-06025	BOLT	1	1	1	
8	5NL-13161-20	PIPE, DELIVERY 1	1	1	1	
9	90401-10015	BOLT, UNION	1	1	1	
10	90430-10188	GASKET	2	2	2	
11	90401-08006	BOLT, UNION	2	2	2	
12	90430-08119	GASKET	4	4	4	
13	5NL-13171-00	PIPE, DELIVERY 2	1	1	1	
14	93210-07003	O-RING	1	1	1	
15	93210-09008	O-RING	1	1	1	
16	93210-12759	O-RING	1	1	1	
17	95022-06012	BOLT, FLANGE	1	1	1	
18	90501-043E0	SPRING, COMPRESSION	1	1	1	
19	93503-08007	BALL	1	1	1	
20	583-13113-00	SEAT, CHECK BALL	1	1	1	



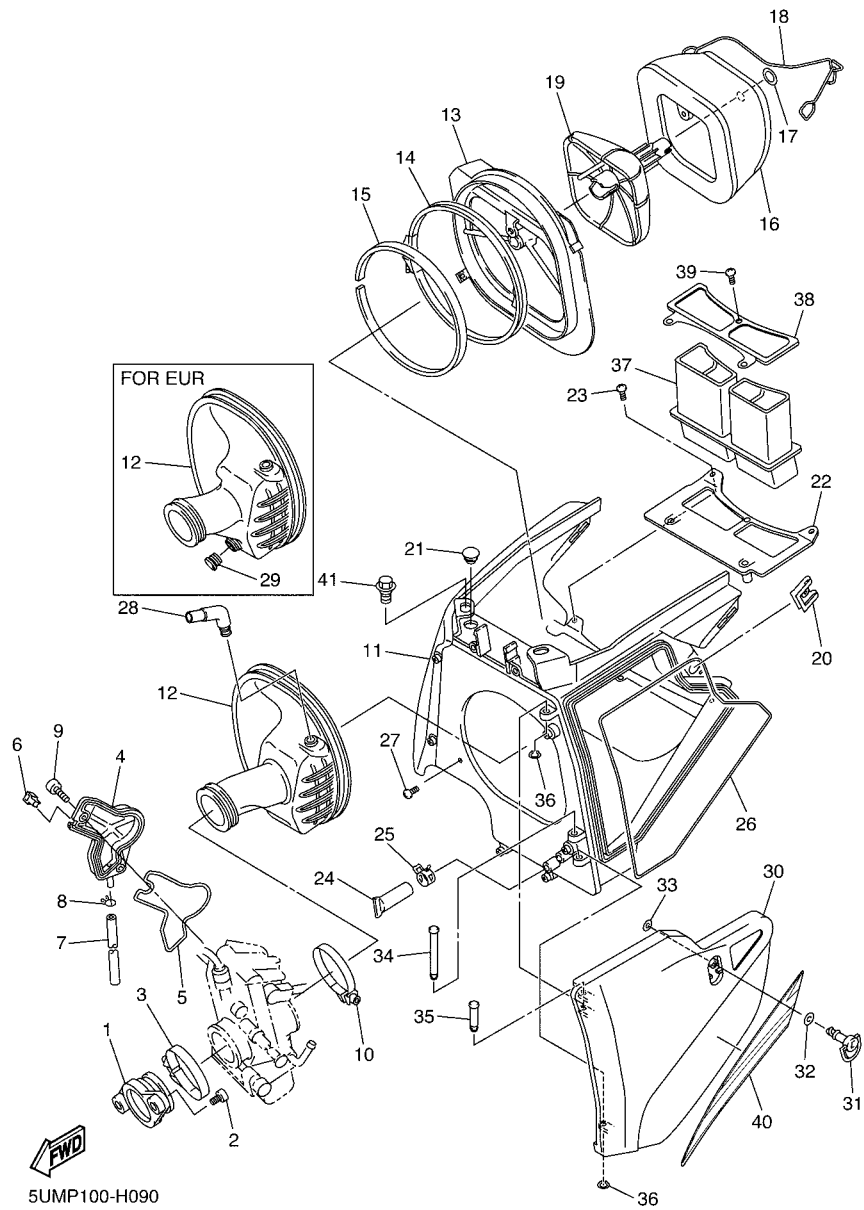
5XC9100-E080



5UMP100-H090

FIG. 9 INTAKE

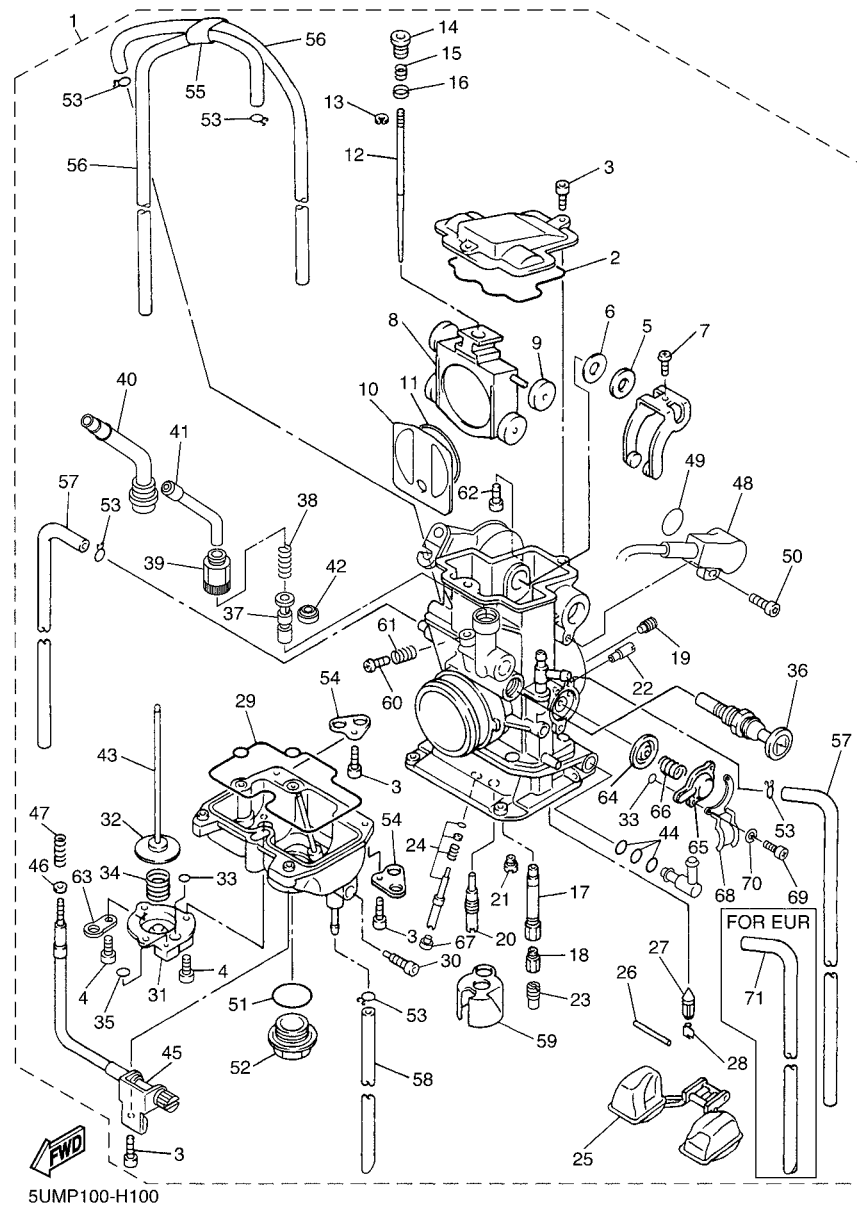
REF. NO.	PART NO.	DESCRIPTION	SUMP	SUMR	SUMS	REMARKS
1	5XC-13597-30	JOINT, CARBURETOR 3	1	1	1	
2	91312-06025	BOLT	2	2	2	
3	90450-57010	HOSE CLAMP ASSY	1	1	1	
4	5TA-14293-00	COVER 1	1	1	1	
5	5TA-14227-00	GASKET	1	1	1	
6	5TA-14239-00	SEAL	1	1	1	
7	5TA-14987-00	HOSE	1	1	1	
8	3TJ-14137-40	CLIP	1	1	1	
9	90110-05038	BOLT, HEXAGON SOCKET HEAD	2	2	2	
10	90450-61002	HOSE CLAMP ASSY	1	1	1	
11	5UM-14401-E0	AIR CLEANER CASE ASSY	1	1	1	
12	5UM-14453-E0	JOINT, AIR CLEANER 1	1		1	
	5UM-14453-L0	JOINT, AIR CLEANER 1		1		
13	5TJ-14459-01	HOLDER, GUIDE	1	1	1	
14	5NY-14455-20	BAND	1	1	1	
15	5NY-14442-00	SPACER	1	1	1	
16	5UM-14451-E0	ELEMENT, AIR CLEANER	1	1	1	
17	5TJ-14475-00	WASHER	1	1	1	
18	5UM-1441G-E0	BINDER 1	1	1	1	
19	5TJ-14458-00	GUIDE	1	1	1	
20	4XV-2177L-01	PLATE, SPRING	1	1	1	
21	90338-07043	PLUG	1	1	1	
22	5UM-14437-E0	DUCT	1	1	1	
23	97702-50516	SCREW, TAPPING	2	2	2	
24	5BF-1443E-00	PIPE, DRAIN	1	1	1	
25	90467-17089	CLIP	1	1	1	
26	5UM-14462-E0	SEAL	1	1	1	



5UMP100-H090

FIG. 9 INTAKE

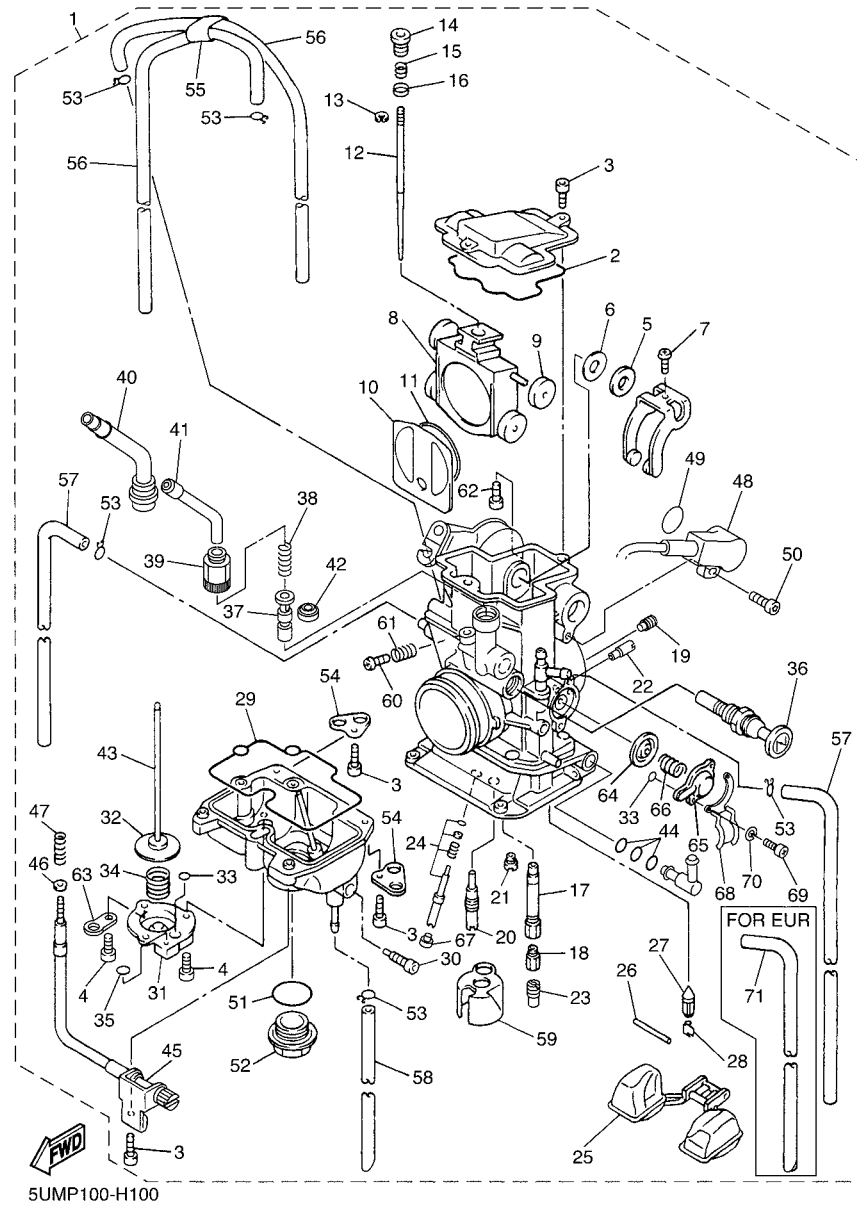
REF. NO.	PART NO.	DESCRIPTION	SUMP	SUMR	SUMS	REMARKS
27	97702-50516	SCREW, TAPPING	1	1	1	
28	5TJ-14419-00	PIPE	1	1	1	
29	5UM-1443B-L0	PLUG, BLIND		1		
30	5UM-1441A-E0	COVER, CLEANER CASE 1	1	1	1	
31	3FV-28386-00	HEAD	1	1	1	
32	2TK-21757-00	WASHER, SPECIAL 1	1	1	1	
33	5TJ-21757-00	WASHER, SPECIAL 1	1	1	1	
34	90249-05005	PIN	1	1	1	
35	90249-05004	PIN	1	1	1	
36	99002-04600	CIRCLIP	2	2	2	
37	5UM-1443A-E0	DUCT	1	1	1	
38	5UM-14417-E0	COVER 1	1	1	1	
39	97702-50516	SCREW, TAPPING	3	3	3	
40	5TJ-2165C-10	GRAPHIC 1	1	1	1	
41	90109-06245	BOLT	2	2	2	



5UMP100-H100

FIG. 10 CARBURETOR

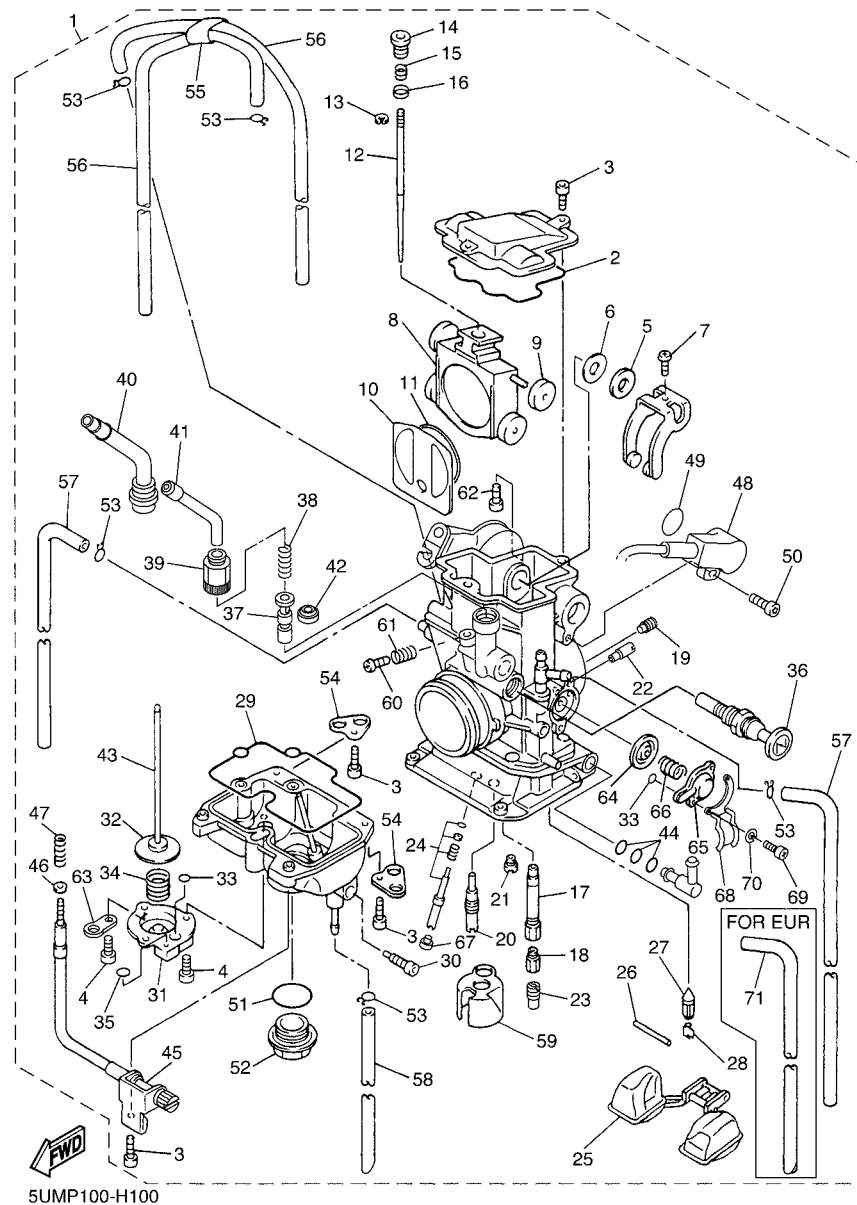
REF. NO.	PART NO.	DESCRIPTION	SUMP	SUMR	SUMS	REMARKS
1	5UM-14101-E0	CARBURETOR ASSY 1	1		1	
	5UM-14101-L0	CARBURETOR ASSY 1		1		
2	5JG-14959-00	.GASKET	1	1	1	
3	91316-04012	.BOLT	6	6	6	
4	688-14592-00	.SCREW	3	3	3	
5	90202-08045	.WASHER, PLATE	1	1	1	
6	5JG-14951-00	.WASHER	1	1	1	
7	5JG-14522-00	.SCREW, ADJUST	1	1	1	
8	2S2-14388-00	.VALVE, VACUUM CONTROL	1	1	1	
9	3TJ-14267-40	.ROLLER	1	1	1	
10	5JG-14546-01	.VALVE, NEEDLE	1	1	1	
11	4FN-14997-00	.SEAL	1	1	1	
12	5UM-14916-RU	.NEEDLE (NJRU)	1		1	STD
	5UM-14916-LU	.NEEDLE (NNGU)		1		STD
	5UM-14916-BN	.NEEDLE (GDEPN)	1		1	AP
	5UM-14916-BP	.NEEDLE (GDEPP)	1	1	1	AP
	5UM-14916-B1	.NEEDLE (GDEPQ)	1	1	1	AP
	5UM-14916-BR	.NEEDLE (GDEPR)	1	1	1	AP
	5UM-14916-BS	.NEEDLE (GDEPS)	1	1	1	AP
	5UM-14916-BT	.NEEDLE (GDEPT)	1	1	1	AP
	5UM-14916-BU	.NEEDLE (GDEPU)	1	1	1	AP
	5UM-14916-BV	.NEEDLE (GDEPV)	1	1	1	AP
13	3TJ-14159-40	.CLIP	1	1	1	
14	5JG-14521-00	.SCREW, ADJUST	1	1	1	
15	5JG-14275-00	.SPRING	1	1	1	
16	5JG-14264-00	.COLLAR	1	1	1	
17	5TJ-14947-00	.JET, NEEDLE	1	1	1	



5UMP100-H100

FIG. 10 CARBURETOR

REF. NO.	PART NO.	DESCRIPTION	SUMP	SUMR	SUMS	REMARKS
18	4MX-14943-41	.JET, MAIN (#170)	1		1	STD
	4MX-14943-39	.JET, MAIN (#160)		1		STD
	4MX-14943-89	.JET, MAIN (#158)	1		1	AP
	4MX-14943-39	.JET, MAIN (#160)	1		1	AP
	4MX-14943-90	.JET, MAIN (#162)	1	1	1	AP
	4MX-14943-40	.JET, MAIN (#165)	1	1	1	AP
	4MX-14943-91	.JET, MAIN (#168)	1	1	1	AP
	4MX-14943-41	.JET, MAIN (#170)		1		AP
	4MX-14943-92	.JET, MAIN (#172)	1	1	1	AP
	4MX-14943-42	.JET, MAIN (#175)		1	1	AP
	4MX-14943-93	.JET, MAIN (#178)	1	1	1	AP
	4MX-14943-43	.JET, MAIN (#180)		1	1	AP
	4MX-14943-94	.JET, MAIN (#182)	1	1	1	AP
19	5UM-1494F-30	.JET (#115)	1	1	1	
20	4MX-14948-04	.JET, SLOW (#42)	1		1	STD
	4MX-14948-05	.JET, SLOW (#45)		1		STD
	4MX-14948-03	.JET, SLOW (#40)	1	1	1	AP
	4MX-14948-04	.JET, SLOW (#42)		1		AP
	4MX-14948-05	.JET, SLOW (#45)	1		1	AP
	4MX-14948-06	.JET, SLOW (#48)	1	1	1	AP
	4MX-14948-07	.JET, SLOW (#50)	1	1	1	AP
21	3TJ-1494F-14	.JET (#68)	1	1	1	STD
	3TJ-1494F-12	.JET (#62)	1	1	1	AP
	3TJ-1494F-13	.JET (#65)	1	1	1	AP
	3TJ-1494F-15	.JET (#70)	1	1	1	AP
	3TJ-1494F-16	.JET (#72)	1	1	1	AP
22	5TA-14943-15	.JET, MAIN (#70)	1	1	1	



5UMP100-H100

FIG. 10 CARBURETOR

REF. NO.	PART NO.	DESCRIPTION	SUMP	SUMR	SUMS	REMARKS
23	4JT-1494F-15	.JET (#70)	1	1	1	STD
	4JT-1494F-11	.JET (#60)	1	1	1	AP
	4JT-1494F-19	.JET (#80)	1	1	1	AP
	4JT-1494F-23	.JET (#90)	1	1	1	AP
	4JT-1494F-27	.JET(#100)	1	1	1	AP
	4JT-1494F-29	.JET(#110)	1	1	1	AP
	4JT-1494F-31	.JET(#120)	1	1	1	AP
24	5NL-14105-00	.PILOT SCREW SET	1	1	1	
25	4SR-14985-00	.FLOAT	1	1	1	
26	676-14548-00	.PIN, FLOAT ARM	1	1	1	
27	4MX-14392-00	.VALVE, NEEDLE	1	1	1	
28	633-14159-00	.CLIP	1	1	1	
29	5JG-14984-00	.GASKET, FLOAT CHAMBER	1	1	1	
30	3TJ-14191-40	.PLUG, DRAIN	1	1	1	
31	3TJ-14293-40	.COVER 1	1	1	1	
32	5JG-14940-76	.DIAPHRAGM ASSY	1	1	1	STD
	5JG-14940-16	.DIAPHRAGM ASSY	1	1	1	AP
	5JG-14940-17	.DIAPHRAGM ASSY	1	1	1	AP
	5JG-14940-18	.DIAPHRAGM ASSY	1	1	1	AP
33	3TJ-14536-40	.GASKET	2	2	2	
34	3TJ-14933-40	.SPRING, DIAPHRAGM	1	1	1	
35	6H4-14561-00	.O-RING	1	1	1	
36	5XC-14171-00	.PLUNGER, STARTER	1	1	1	
37	5TA-14371-00	.PLUNGER, STARTER	1	1	1	
38	5TA-14335-00	.SPRING, PLUNGER	1	1	1	
39	5TA-14991-00	.SCREW	1	1	1	
40	2S2-14374-00	.CAP, PLUNGER	1	1	1	

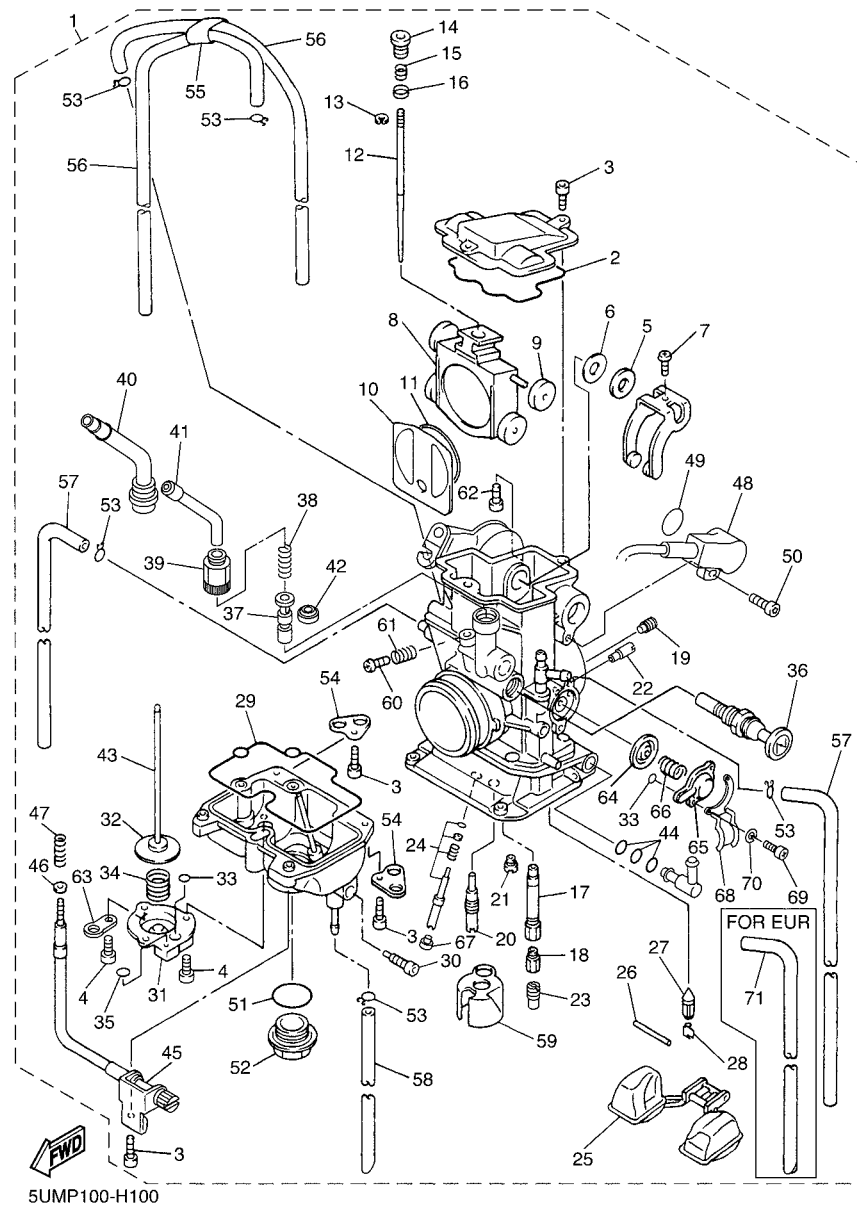


FIG. 10 CARBURETOR

REF. NO.	PART NO.	DESCRIPTION	SUMP	SUMR	SUMS	REMARKS
41	5TA-14155-00	.GUIDE, CABLE	1	1	1	
42	5TA-14997-00	.SEAL	1	1	1	
43	5JG-14379-00	.ROD, STARTER	1	1	1	
44	3TJ-14564-40	.O-RING	3	3	3	
45	5XC-14922-00	.SCREW, THROTTLE	1	1	1	
46	90201-08410	.WASHER, PLATE	1	1	1	
47	5TA-14934-00	.SPRING, THROTTLE STOP	1	1	1	
48	5XC-85885-00	.THROTTLE SENSOR ASSY	1	1	1	
49	5NX-14562-00	.O-RING	1	1	1	
50	5NX-14216-00	.SCREW	1	1	1	
51	4MX-14561-00	.O-RING	1	1	1	
52	4MX-14115-00	.PLUG, SCREW	1	1	1	
53	3TJ-14137-40	.CLIP	5	5	5	
54	5BE-14146-00	.PLATE	2	2	2	
55	5TA-14261-00	.HOLDER	1	1	1	
56	5UL-14196-00	.PIPE, OVER FLOW 1	2	2	2	
57	5TA-14197-00	.PIPE	2	1	2	
58	5TJ-14987-00	.HOSE	1	1	1	
59	5JG-14346-00	.PLATE	1	1	1	
60	5JG-14565-00	.SCREW	1	1	1	
61	5JG-14531-00	.SPRING, ADJUST SCREW	1	1	1	
62	5GS-14591-00	.SCREW	1	1	1	
	5UM-14591-00	.SCREW		1		
63	5PA-14146-00	.PLATE	1	1	1	
64	5GS-14940-00	.DIAPHRAGM ASSY	1	1	1	
65	5GS-14958-00	.COVER, DIAPHRAGM	1	1	1	
66	5GS-14933-00	.SPRING, DIAPHRAGM	1	1	1	

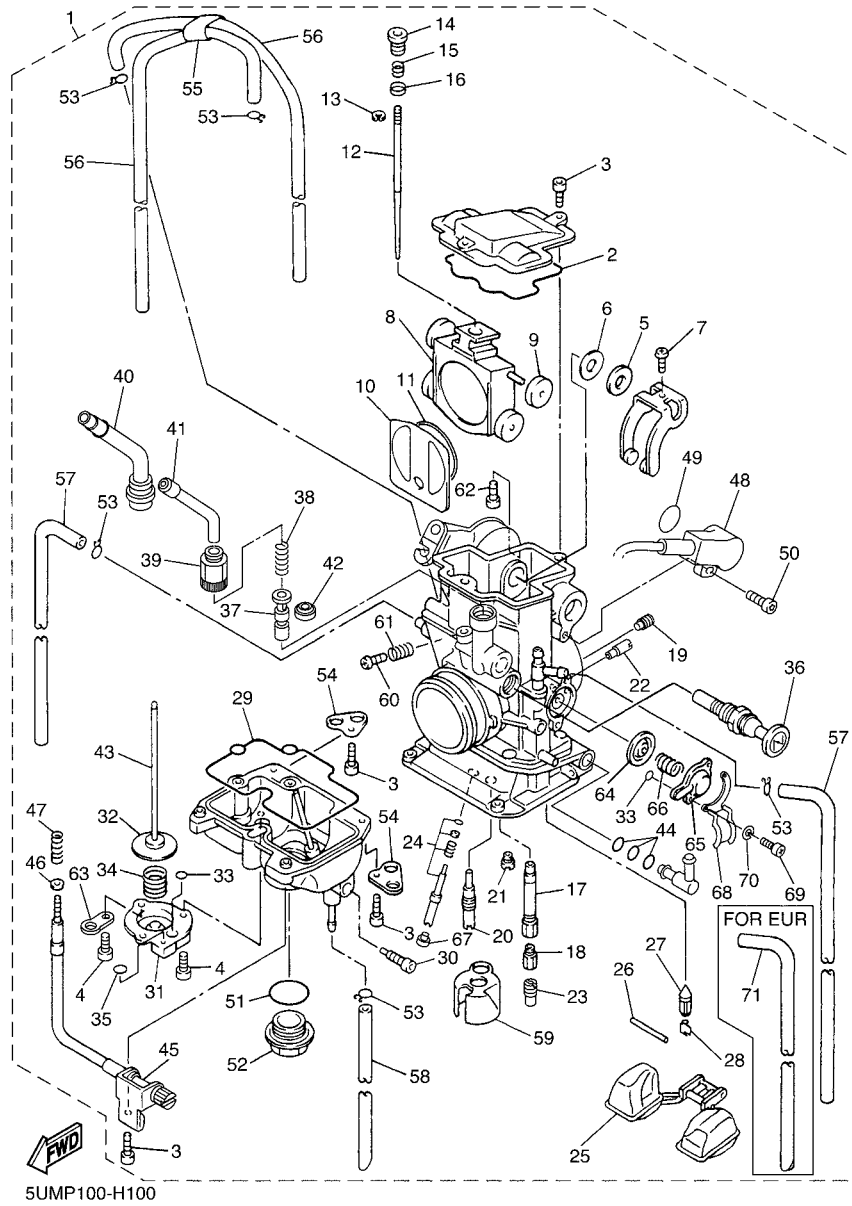
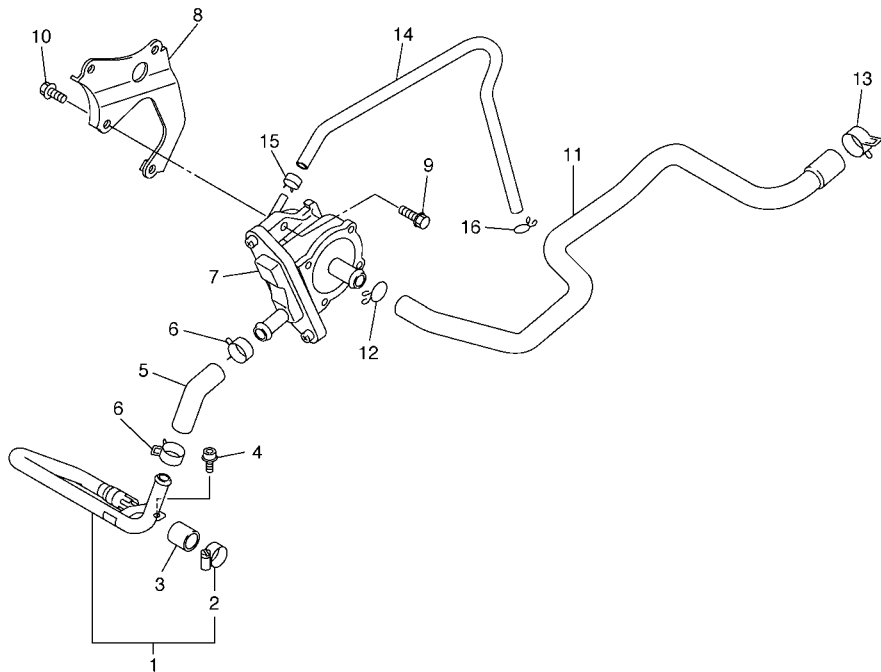


FIG. 10 CARBURETOR

REF. NO.	PART NO.	DESCRIPTION	SUMP	SUMR	SUMS	REMARKS
67	5TJ-14118-00	.CAP	1		1	
68	5TJ-14243-00	.PLATE	1	1	1	
69	98502-04010	.SCREW, PAN HEAD	2	2	2	
70	92902-04100	.WASHER, SPRING	2	2	2	
71	5UM-14197-00	.PIPE			1	



5UME100-F110

FIG. 11 AIR INDUCTION SYSTEM

REF. NO.	PART NO.	DESCRIPTION	SUMP	SUMR	SUMS	REMARKS
1	5UM-14871-10	PIPE 1	1	1	1	
2	90450-20078	.HOSE CLAMP ASSY	1	1	1	
3	4KM-14714-01	GASKET, MUFFLER	1	1	1	
4	90109-060E9	BOLT	1	1	1	
5	5UM-14881-00	HOSE, BEND 1	1	1	1	
6	90467-16063	CLIP	2	2	2	
7	5UM-14803-00	AIR INDUCTION SYSTEM ASSY	1	1	1	
8	5UM-14834-E0	STAY	1	1	1	
9	90105-06107	BOLT, FLANGE	2	2	2	
10	90105-06105	BOLT, FLANGE	2	2	2	
11	5UM-14882-00	HOSE, BEND 2	1	1	1	
12	90467-140A4	CLIP	1	1	1	
13	90467-17089	CLIP	1	1	1	
14	90445-08027	HOSE	1	1	1	
15	90467-07138	CLIP	1	1	1	
16	90467-09006	CLIP	1	1	1	

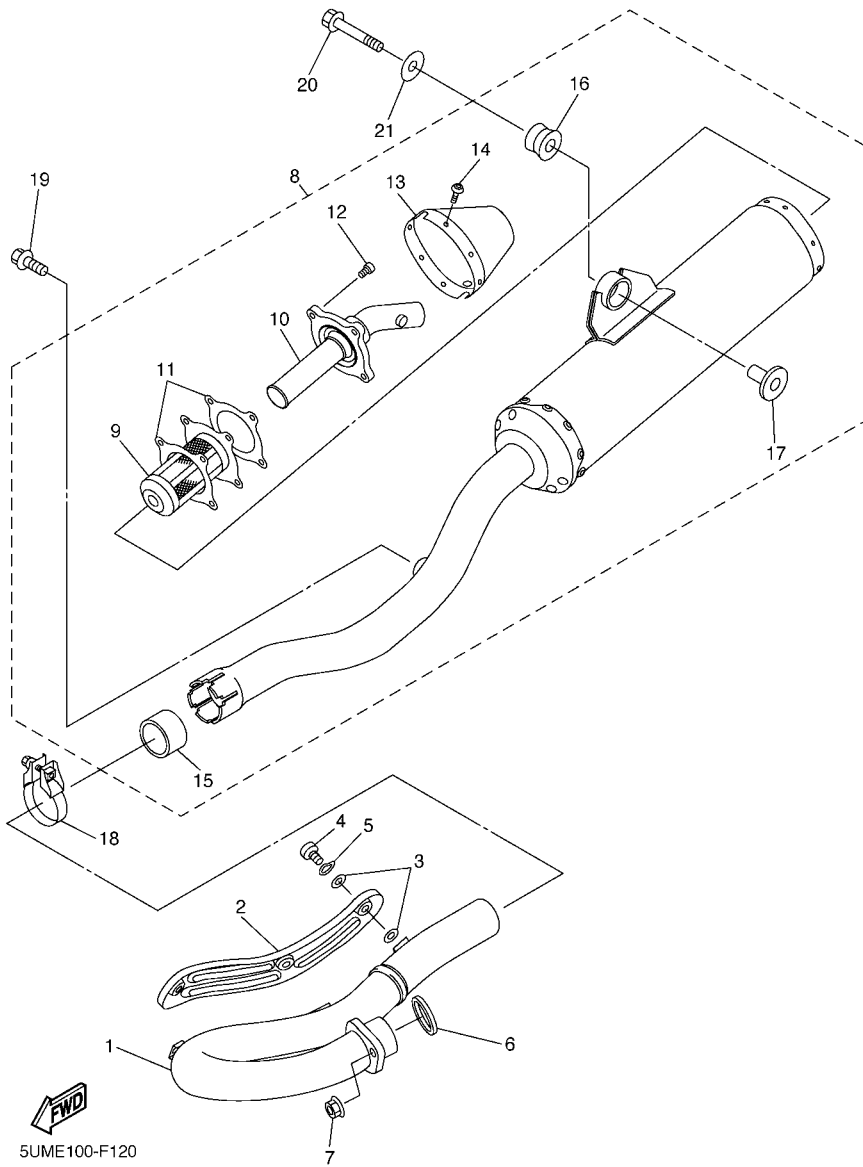
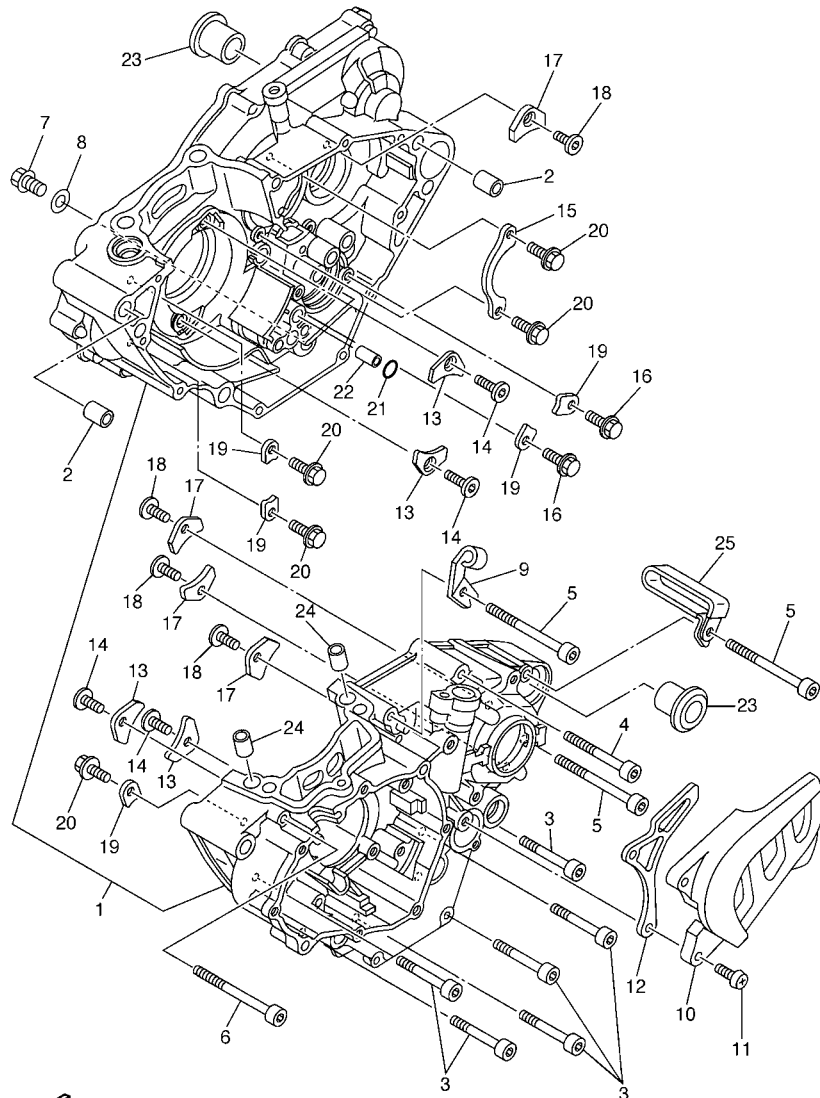


FIG. 12 EXHAUST

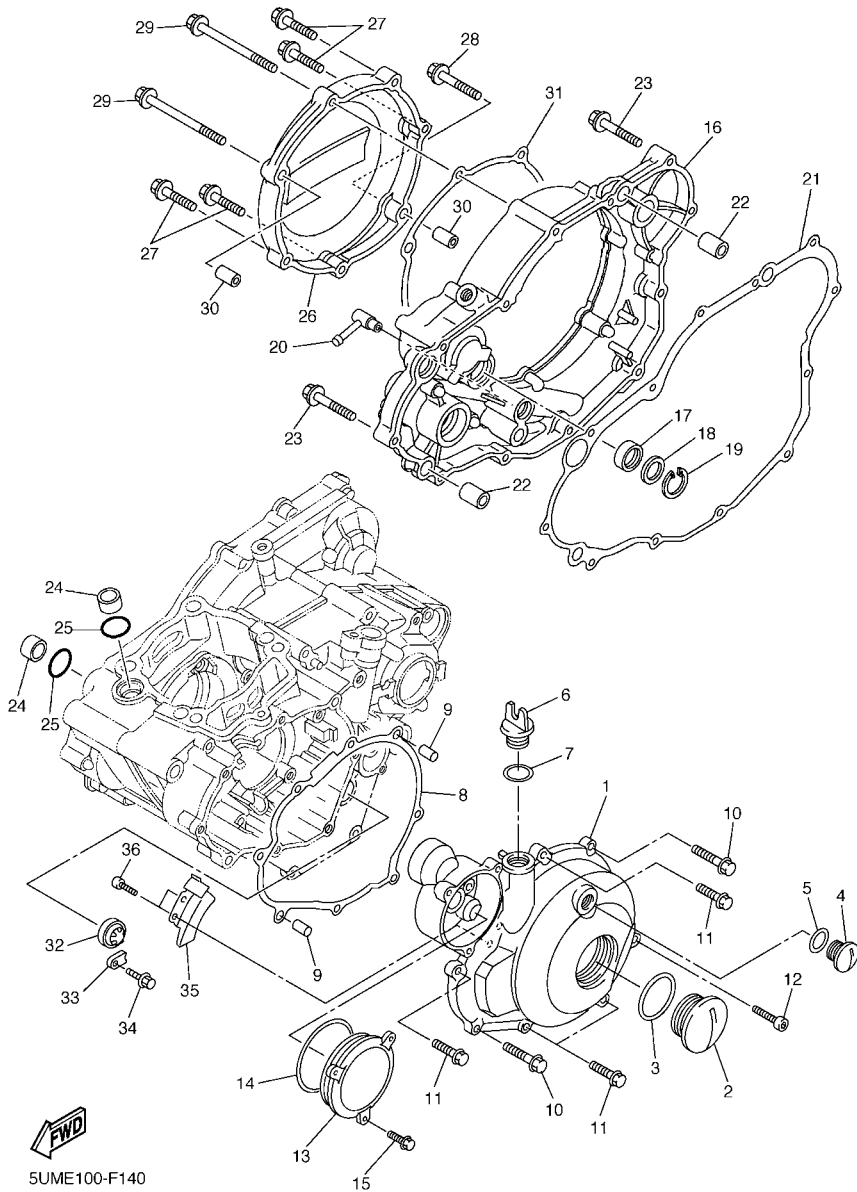
REF. NO.	PART NO.	DESCRIPTION	SUMP	SUMR	SUMS	REMARKS
1	5UM-14611-10	PIPE, EXHAUST 1	1	1	1	
2	5XC-14628-00	PROTECTOR, EXHAUST PIPE	1	1	1	
3	4BD-14766-00	WASHER, PROTECTOR	6	6	6	
4	98980-06008	SCREW, BIND	3	3	3	
5	90206-06090	WASHER, WAVE	3	3	3	
6	5NL-14613-00	GASKET, EXHAUST PIPE	1	1	1	
7	95702-08500	NUT, WITH WASHER	2	2	2	
8	5UM-14710-E0	MUFFLER ASSY 1	1	1	1	
9	5TJ-14780-00	.SPARK ARRESTER ASSY	1	1	1	
10	5TJ-14784-00	.PIPE, TAIL	1	1	1	
11	5TJ-14623-00	.GASKET, EXHAUST PIPE	2	2	2	
12	90110-05041	.BOLT, HEXAGON SOCKET HEAD	4	4	4	
13	5TJ-14799-00	.CAP	1	1	1	
14	92012-05008	.BOLT, BUTTON HEAD	6	6	6	
15	5PH-14714-00	.GASKET, MUFFLER	1	1	1	
16	5BE-14747-00	.DAMPER, MUFFLER	1	1	1	
17	90387-08081	.COLLAR	1	1	1	
18	5BE-14788-00	BAND, SILENCER	1	1	1	
19	90105-08307	BOLT, FLANGE	1	1	1	
20	90105-08137	BOLT, FLANGE	1	1	1	
21	90201-08061	WASHER, PLATE	1	1	1	



FWD
5UME100-F130

FIG. 13 CRANKCASE

REF. NO.	PART NO.	DESCRIPTION	SUMP	SUMR	SUMS	REMARKS
1	5UM-15150-21-YX	CRANKCASE ASSY	1	1	1	
2	93612-16254	PIN, DOWEL	2	2	2	
3	91312-06045	BOLT	5	5	5	
4	91312-06055	BOLT	1	1	1	
5	91312-06070	BOLT	3	3	3	
6	91312-06100	BOLT	1	1	1	
7	95022-10016	BOLT, FLANGE	1	1	1	
8	90430-10188	GASKET	1	1	1	
9	5NL-15441-01	HOLDER, CLUTCH CABLE	1	1	1	
10	5BE-15421-30	COVER, CRANKCASE 2	1	1	1	
11	98502-06025	SCREW, PAN HEAD	2	2	2	
12	5NL-17466-00	GUIDE, CHAIN	1	1	1	
	5UM-17466-00	GUIDE, CHAIN		1		STD
	5NL-17466-00	GUIDE, CHAIN		1		AP 13T SPROCKET
13	5BE-15383-01	PLATE, BEARING COVER	4	4	4	
14	90151-06044	SCREW, COUNTERSUNK	4	4	4	
15	5NL-15388-00	PLATE, BEARING COVER	1	1	1	
16	90105-06081	BOLT, FLANGE	2	2	2	
17	4JT-15381-01	PLATE, BEARING COVER	4	4	4	
18	90149-06074	SCREW	4	4	4	
19	5DH-18562-00	PLATE, STOPPER 2	5	5	5	
20	90105-06081	BOLT, FLANGE	5	5	5	
21	93210-10197	O-RING	1	1	1	
22	99530-10114	PIN, DOWEL	1	1	1	
23	90387-18007	COLLAR	2	2	2	
24	99530-10116	PIN, DOWEL	2	2	2	
25	90465-10013	CLAMP	1	1	1	

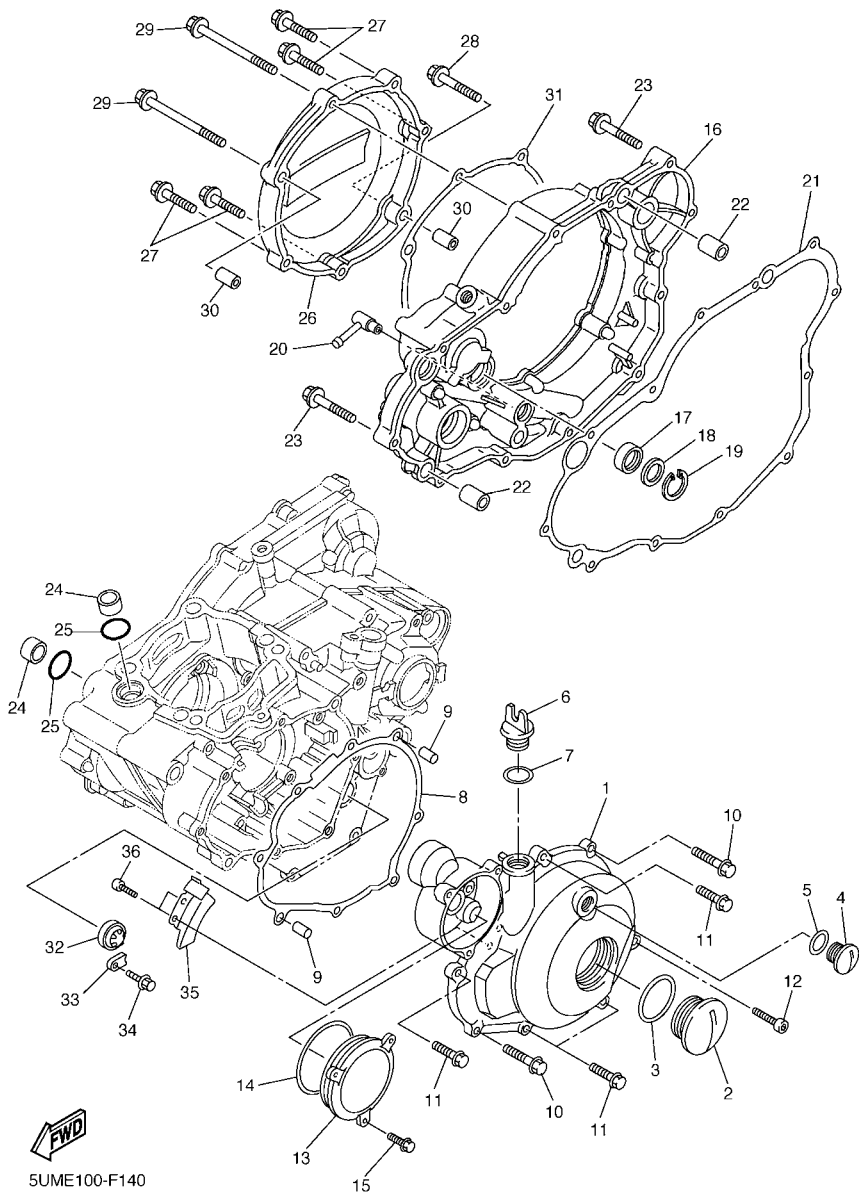


SUME100-F140

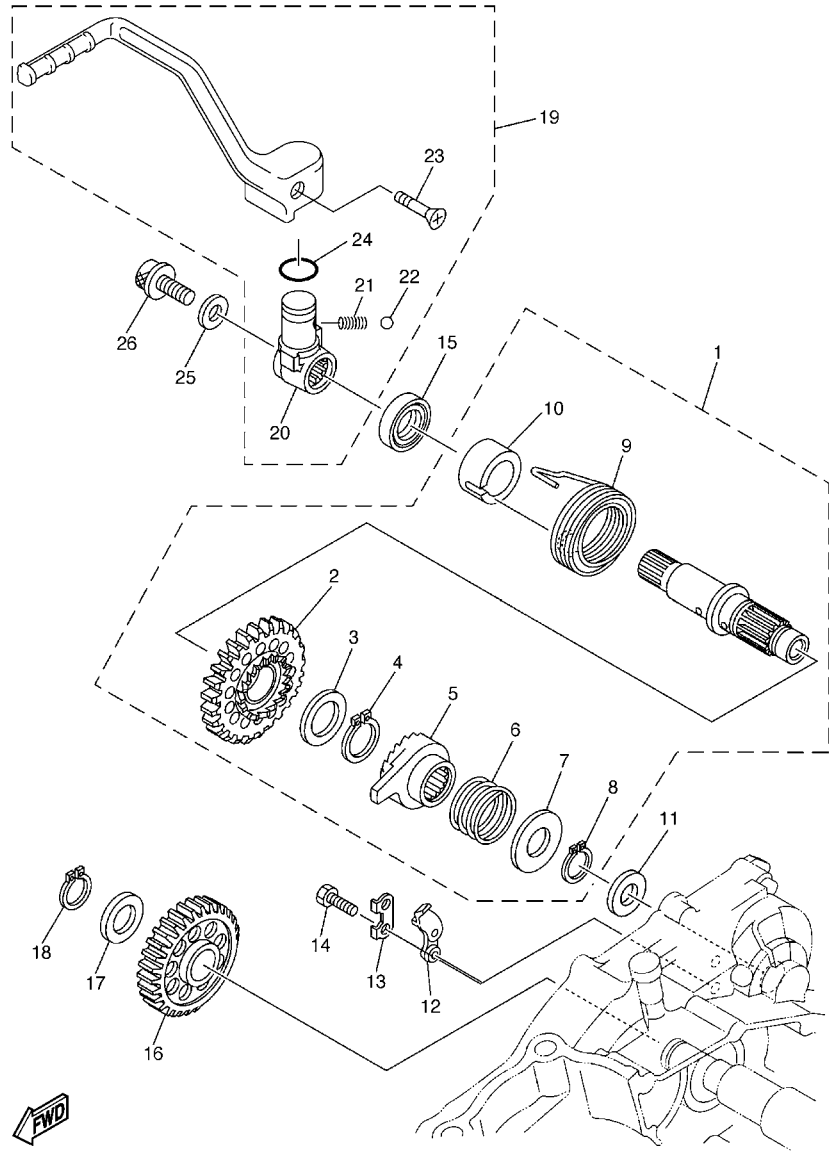
FIG. 14 CRANKCASE COVER 1

REF. NO.	PART NO.	DESCRIPTION	SUMP	SUMR	SUMS	REMARKS
1	5UM-15411-20	COVER, CRANKCASE 1	1	1	1	
2	90340-27004	PLUG, STRAIGHT SCREW	1	1	1	
3	93210-27370	O-RING	1	1	1	
4	90340-14015	PLUG, STRAIGHT SCREW	1	1	1	
5	93210-14369	O-RING	1	1	1	
6	3Y1-15363-00	PLUG, OIL	1	1	1	
7	93210-19123	O-RING	1	1	1	
8	5UM-15451-00	GASKET, CRANKCASE COVER 1	1	1	1	
9	99530-08016	PIN, DOWEL	2	2	2	
10	95022-06040	BOLT, FLANGE	2	2	2	
11	95022-06030	BOLT, FLANGE	4	4	4	
12	91312-06110	BOLT	1	1	1	
13	5UM-1549B-20	COVER ASSY 2	1	1	1	
14	93210-60426	O-RING	1	1	1	
15	95022-06016	BOLT, FLANGE	3	3	3	
16	5XC-15431-01	COVER, CRANKCASE 3	1	1	1	
17	93101-14164	OIL SEAL	1	1	1	
18	90201-15701	WASHER, PLATE (T=1.0)	1	1	1	
19	99009-22500	CIRCLIP	1	1	1	
20	5XC-15373-00	PIPE, BREATHER	1	1	1	
21	5NL-15462-00	GASKET, CRANKCASE COVER 3	1	1	1	
22	91812-16001	PIN, DOWEL	2	2	2	
23	95022-06035	BOLT, FLANGE	8	8	8	
24	5NL-12564-00	PIPE, WATER	2	2	2	
25	93210-16716	O-RING	2	2	2	
26	5NL-15415-30	COVER, GENERATOR	1	1	1	
27	95022-06025	BOLT, FLANGE	4	4	4	

FIG. 14 CRANKCASE COVER 1



REF. NO.	PART NO.	DESCRIPTION	SUMP	SUMR	SUMS	REMARKS
28	95022-06035	BOLT, FLANGE	1	1	1	
29	90105-06098	BOLT, FLANGE	2	2	2	
30	99530-08016	PIN, DOWEL	2	2	2	
31	5NL-15453-10	GASKET	1	1	1	
32	3Y1-15361-00	GAUGE, LEVEL	1	1	1	
33	5XC-15118-00	HOLDER	1	1	1	
34	90105-06094	BOLT, FLANGE	1	1	1	
35	5UM-81528-00	CLAMP 1	1	1	1	
36	91312-05012	BOLT	2	2	2	



FWD
SUME100-F150

FIG. 15 STARTER

REF. NO.	PART NO.	DESCRIPTION	SUMP	SUMR	SUMS	REMARKS
1	5NL-15601-20	KICK SHAFT ASSY	1	1	1	
2	5NL-15641-20	.GEAR, KICK	1	1	1	
3	90201-20685	.WASHER, PLATE (T=0.5)	1	1	1	
4	93410-20038	.CIRCLIP	1	1	1	
5	2S2-15671-00	.WHEEL, RATCHET	1	1	1	
6	90501-160A2	.SPRING, COMPRESSION	1	1	1	
7	90201-167P7	.WASHER, PLATE	1	1	1	
8	99009-16400	.CIRCLIP	1	1	1	
9	90508-30743	.SPRING, TORSION	1	1	1	
10	5NL-15664-00	.GUIDE, SPRING	1	1	1	
11	90201-162H4	WASHER, PLATE	1	1	1	
12	5SG-15668-00	STOPPER	1	1	1	
13	214-15686-00	WASHER, LOCK	1	1	1	
14	90101-06044	BOLT	2	2	2	
15	93102-18278	OIL SEAL	1	1	1	
16	5NL-15651-00	GEAR, KICK IDLE	1	1	1	
17	90201-177G4	WASHER, PLATE	1	1	1	
18	99009-17400	CIRCLIP	1	1	1	
19	5XC-15620-10	KICK CRANK ASSY	1	1	1	
20	5XC-15621-10	.BOSS, KICK CRANK	1	1	1	
21	90501-147A5	.SPRING, COMPRESSION	1	1	1	
22	93507-32009	.BALL	1	1	1	
23	90152-06010	.SCREW, COUNTERSUNK	1	1	1	
24	93210-17570	.O-RING	1	1	1	
25	90201-08048	WASHER, PLATE	1	1	1	
26	90110-08051	BOLT, HEXAGON SOCKET HEAD	1	1	1	

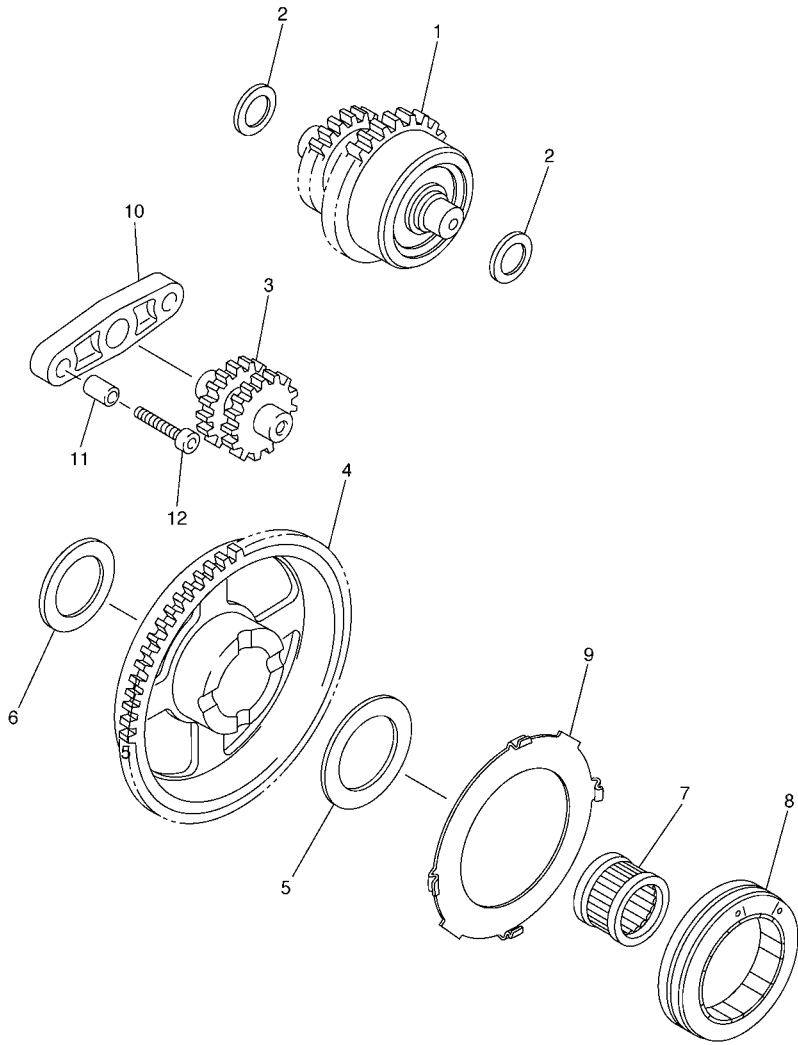


FIG. 16 STARTER CLUTCH

REF. NO.	PART NO.	DESCRIPTION	SUMP	SUMR	SUMS	REMARKS
1	5UM-15560-10	DAMPER ASSY	1	1	1	
2	90201-104R2	WASHER, PLATE	2	2	2	
3	5UM-15517-00	GEAR, IDLER 2	1	1	1	
4	5UM-15515-20	GEAR 3	1	1	1	
5	90201-20021	WASHER, PLATE (T=1.0)	1	1	1	
6	90201-203L1	WASHER, PLATE	1	1	1	
7	93310-42057	BEARING	1	1	1	
8	5UM-15570-00	STARTER CLUTCH ASSY	1	1	1	
9	5VY-15586-00	PLATE, STARTER CLUTCH ASSY	1	1	1	
10	5UM-15532-00	PLATE, IDLE GEAR	1	1	1	
11	99530-08012	PIN, DOWEL	2	2	2	
12	91312-06025	BOLT	2	2	2	



5UMB100-E160

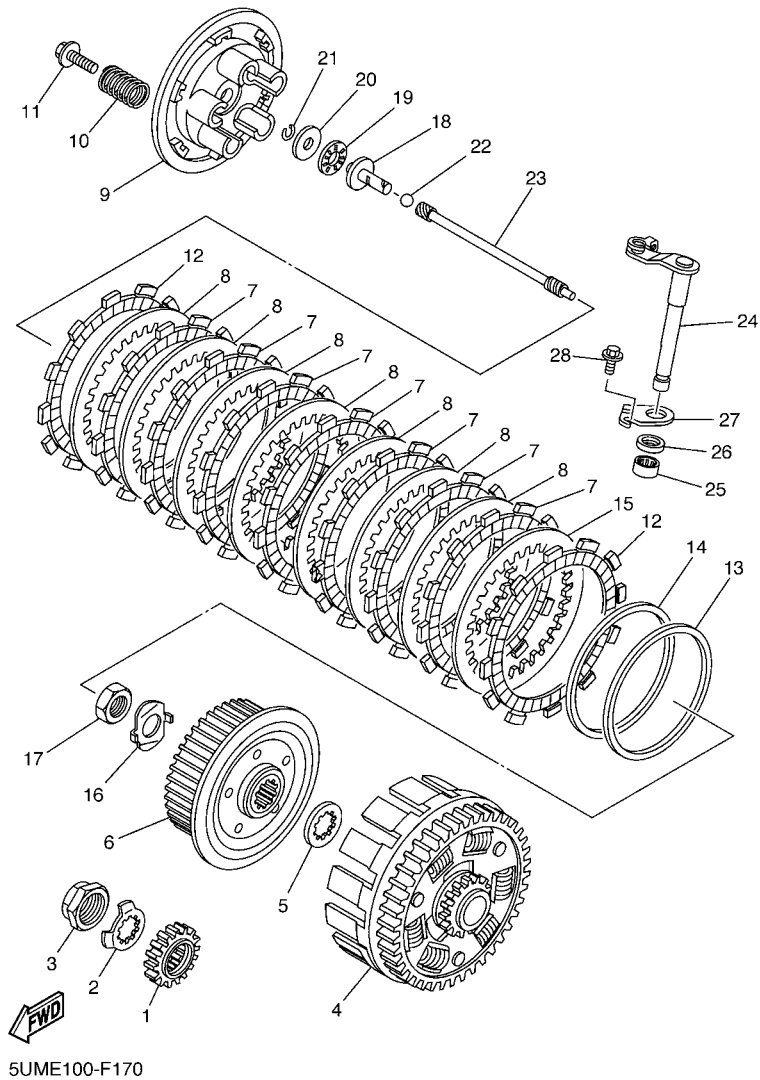


FIG. 17 CLUTCH

REF. NO.	PART NO.	DESCRIPTION	SUMP	SUMR	SUMS	REMARKS
1	5NL-16111-01	GEAR, PRIMARY DRIVE	1	1	1	
2	90215-20003	WASHER, LOCK	1	1	1	
3	90179-18001	NUT	1	1	1	
4	5NL-16150-10	PRIMARY DRIVEN GEAR COMP.	1	1	1	
5	5NL-16154-00	PLATE, THRUST 1	1	1	1	
6	5NL-16371-00	BOSS, CLUTCH	1	1	1	
7	5DH-16321-00	PLATE, FRICTION	7	7	7	
8	5NL-16325-00	PLATE, CLUTCH 2	7	7	7	
9	5HD-16351-00	PLATE, PRESSURE 1	1	1	1	
10	90501-220A0	SPRING, COMPRESSION	5	5	5	
11	90159-06092	SCREW, WITH WASHER	5	5	5	
12	3XJ-16321-00	PLATE, FRICTION	2	2	2	
13	5NL-16384-00	PLATE, SEAT	1	1	1	
14	5NL-16383-10	SPRING, CLUTCH BOSS	1	1	1	
15	5NL-16325-10	PLATE, CLUTCH 2	1	1	1	
16	90215-16289	WASHER, LOCK	1	1	1	
17	90170-16326	NUT	1	1	1	
18	5XC-16356-00	ROD, PUSH 1	1	1	1	
19	93340-21008	BEARING	1	1	1	
20	90201-080H1	WASHER, PLATE	1	1	1	
21	93440-07182	CIRCLIP	1	1	1	
22	93511-32027	BALL	1	1	1	
23	5NL-16357-10	ROD, PUSH 2	1	1	1	
24	5JG-16381-10	PUSH LEVER COMP.	1	1	1	
25	93317-11287	BEARING	1	1	1	
26	93102-12224	OIL SEAL	1	1	1	
27	4JT-16384-00	PLATE, SEAT	1	1	1	

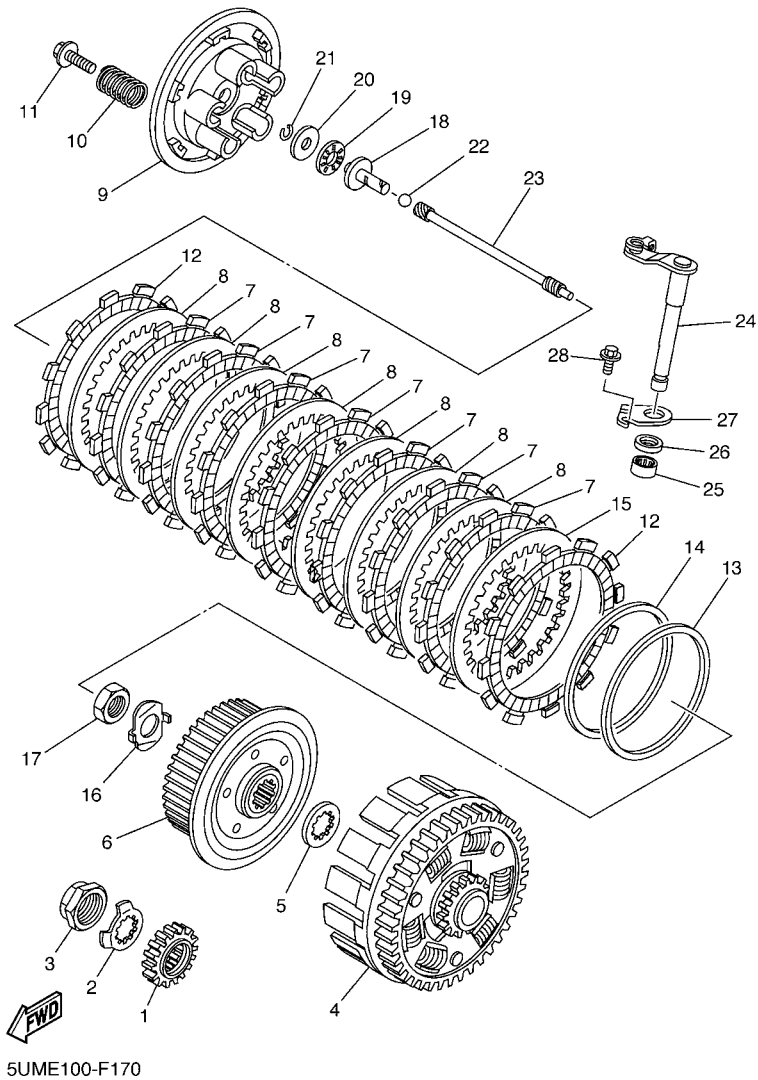


FIG. 17 CLUTCH

REF. NO.	PART NO.	DESCRIPTION	SUMP	SUMR	SUMS	REMARKS
28	95022-06010	BOLT, FLANGE	1	1	1	

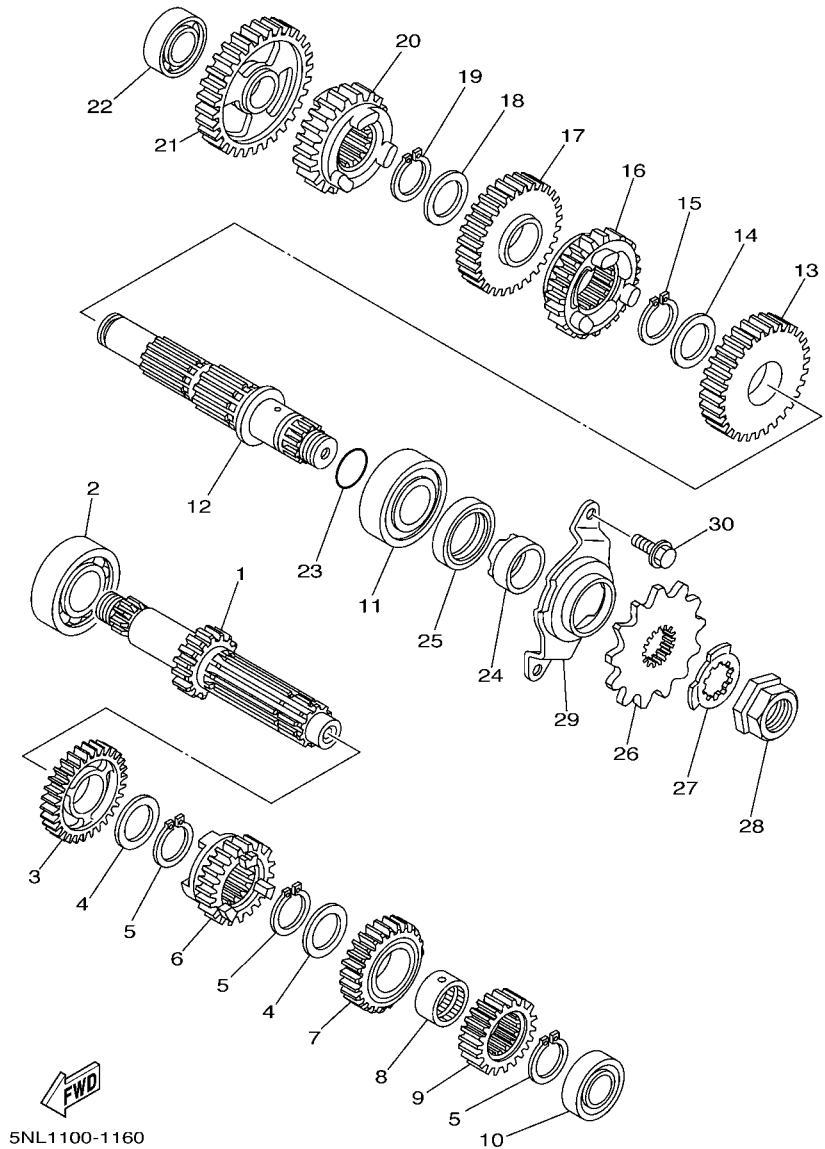
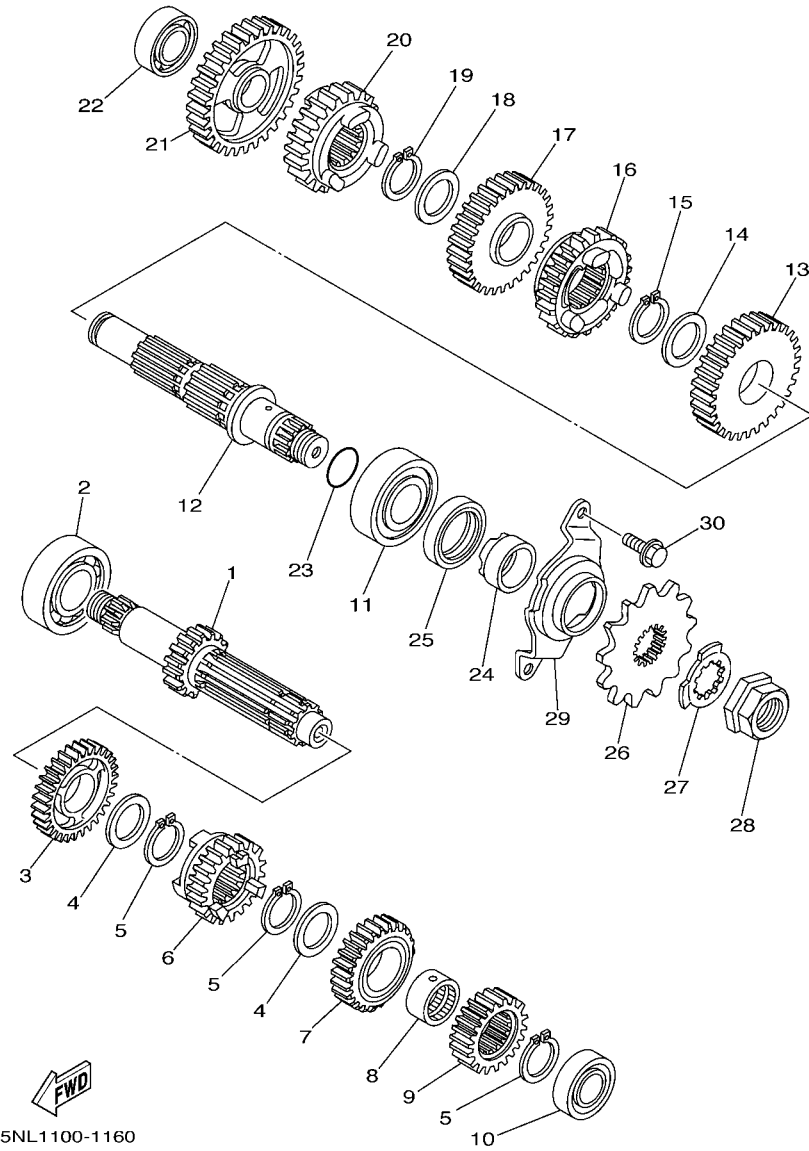


FIG. 18 TRANSMISSION

REF. NO.	PART NO.	DESCRIPTION	SUMP	SUMR	SUMS	REMARKS
1	5UM-17411-00	AXLE, MAIN (13T)	1	1	1	
2	93306-20447	BEARING	1	1	1	
3	5UM-17151-00	GEAR,5TH PINION (19T)	1	1	1	
4	90209-20008	WASHER	2	2	2	
5	93410-22039	CIRCLIP	3	3	3	
6	5UM-17131-00	GEAR,3RD PINION (17T)	1	1	1	
7	5UM-17141-00	GEAR, 4TH PINION (21T)	1	1	1	
8	90387-20006	COLLAR	1	1	1	
9	5NL-17121-00	GEAR, 2ND PINION (16T)	1	1	1	
10	93306-00320	BEARING	1	1	1	
11	93306-27208	BEARING	1	1	1	
12	5NL-17402-00	DRIVE AXLE ASSY	1	1	1	
13	5NL-17221-00	GEAR, 2ND WHEEL (28T)	1	1	1	
14	90209-23012	WASHER	1	1	1	
15	93410-26067	CIRCLIP	1	1	1	
16	5UM-17241-00	GEAR, 4TH WHEEL (23T)	1	1	1	
17	5UM-17231-00	GEAR,3RD WHEEL (23T)	1	1	1	
18	90209-20008	WASHER	1	1	1	
19	93410-22039	CIRCLIP	1	1	1	
20	5UM-17251-00	GEAR,5TH WHEEL (17T)	1	1	1	
21	5PH-17211-00	GEAR,1ST WHEEL (31T)	1	1	1	
22	93306-00317	BEARING	1	1	1	
23	93210-196A4	O-RING	1	1	1	
24	90387-22001	COLLAR	1	1	1	
25	93102-28010	OIL SEAL	1	1	1	
26	9383B-13218	SPROCKET, DRIVE (13T)	1	1	1	
	9383B-14222	SPROCKET, DRIVE (14T)		1		STD

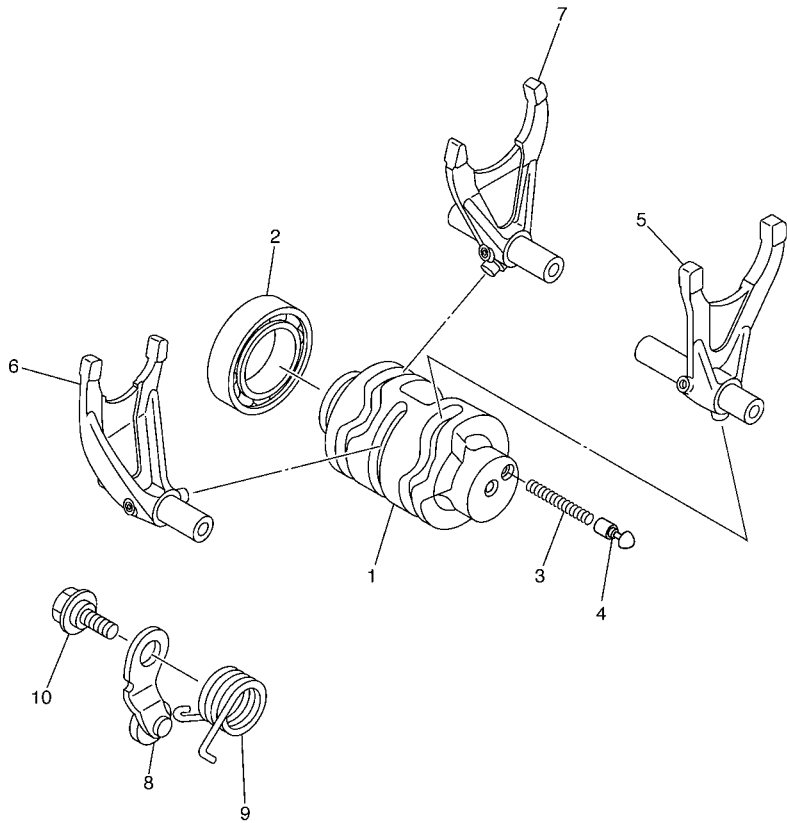


5NL1100-1160

FIG. 18 TRANSMISSION

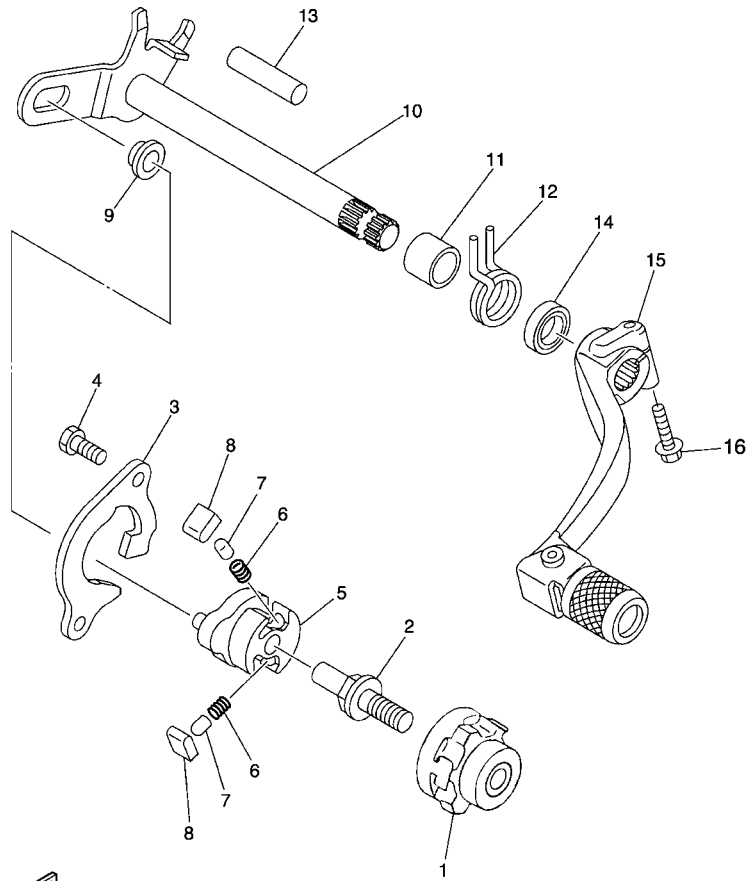
REF. NO.	PART NO.	DESCRIPTION	SUMP	SUMR	SUMS	REMARKS
26	9383B-13218	SPROCKET, DRIVE (13T)		1		AP
27	90215-20003	WASHER, LOCK	1	1	1	
28	90179-18001	NUT	1	1	1	
29	5NL-17471-10	PLATE, COVER	1	1	1	
30	90105-06081	BOLT, FLANGE	2	2	2	
<hr/>						
<hr/>						
<hr/>						
<hr/>						
<hr/>						
<hr/>						
<hr/>						
<hr/>						
<hr/>						

FIG. 19 SHIFT CAM & FORK



REF. NO.	PART NO.	DESCRIPTION	SUMP	SUMR	SUMS	REMARKS
1	5NL-18541-00	CAM, SHIFT	1	1	1	
2	93306-90509	BEARING	1	1	1	
3	90501-06022	SPRING, COMPRESSION	1	1	1	
4	4UN-18542-00	POINT, NEUTRAL	1	1	1	
5	5NL-18501-00	FORK, SHIFT 1	1	1	1	
6	5NL-18502-00	FORK, SHIFT 2	1	1	1	
7	5NL-18503-00	FORK, SHIFT 3	1	1	1	
8	3XK-18140-00	STOPPER LEVER ASSY	1	1	1	
9	90508-26561	SPRING, TORSION	1	1	1	
10	90109-06193	BOLT	1	1	1	

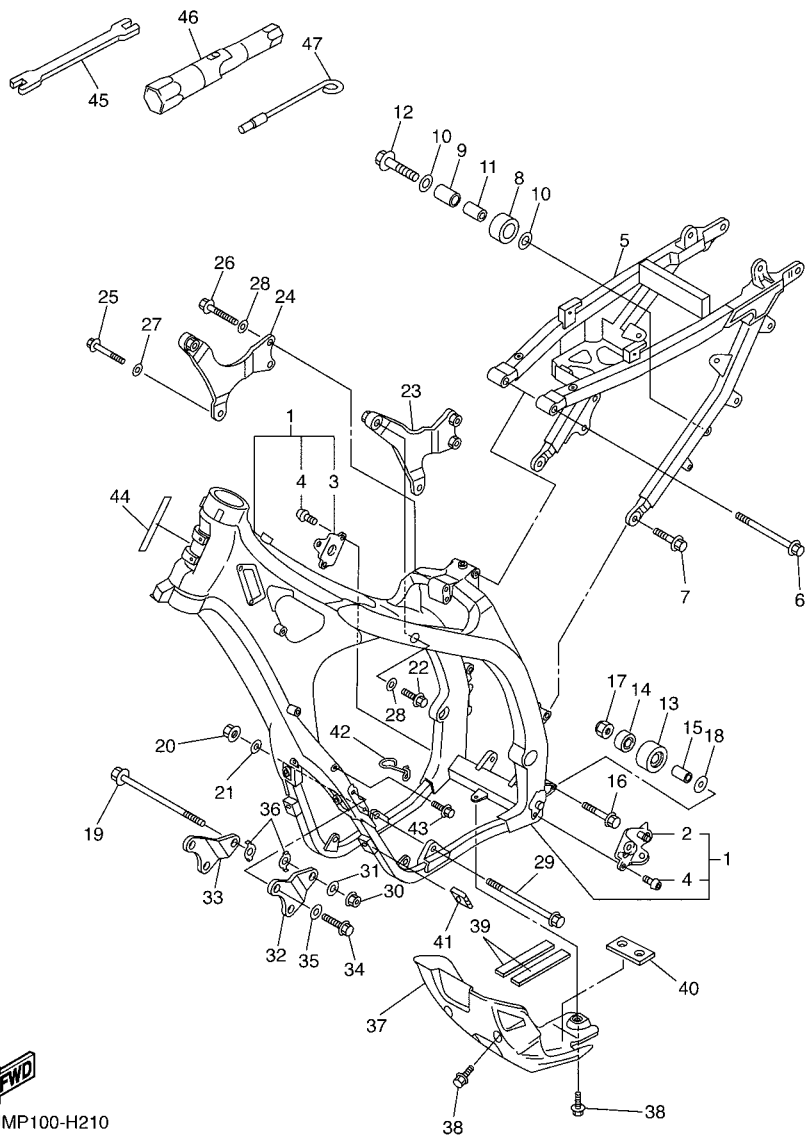

5UMB100-E190



5UME100-F200

FIG. 20 SHIFT SHAFT

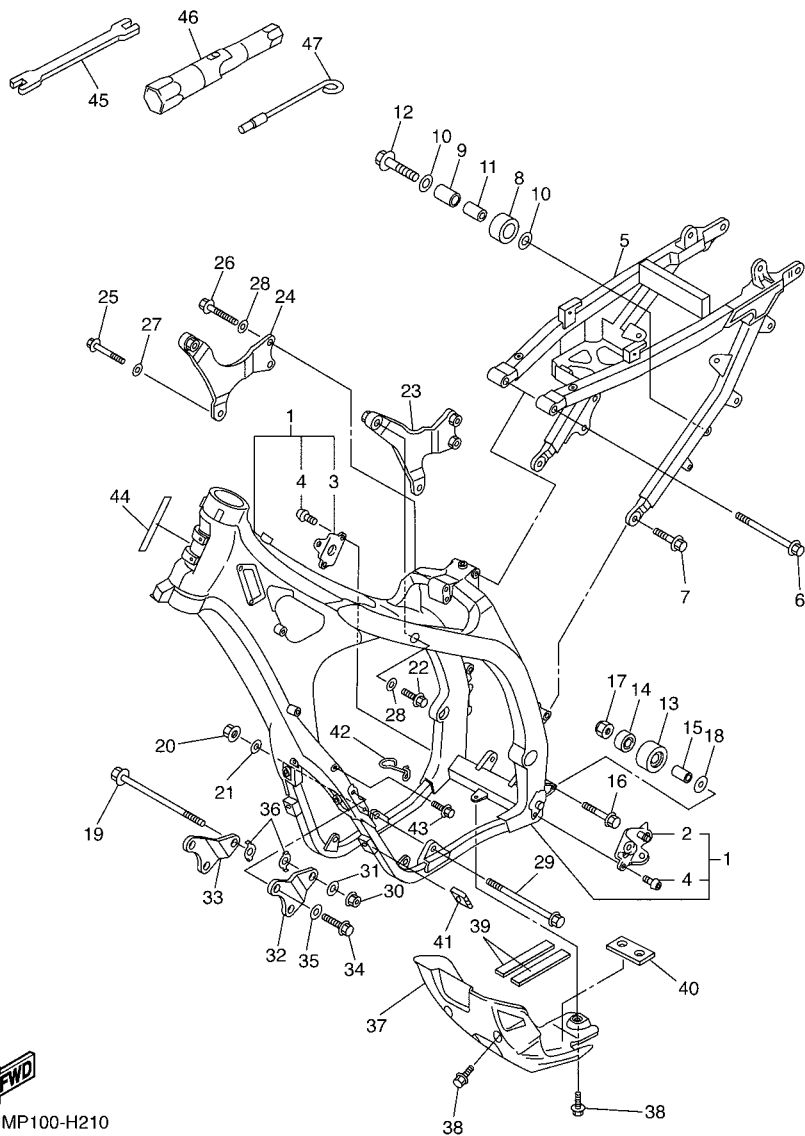
REF. NO.	PART NO.	DESCRIPTION	SUMP	SUMR	SUMS	REMARKS
1	2S2-18185-00	SEGMENT	1	1	1	
2	3XJ-18173-10	PIN, SHIFT	1	1	1	
3	5BE-18172-00	GUIDE, SHIFT	1	1	1	
4	90101-06041	BOLT	2	2	2	
5	5LP-18122-01	LEVER, SHIFT 2	1	1	1	
6	90501-052G5	SPRING, COMPRESSION	2	2	2	
7	3XJ-18184-00	PIN, PAWL	2	2	2	
8	3XJ-18182-00	PAWL, SHIFTER	2	2	2	
9	3XJ-18178-00	ROLLER, SHIFT LEVER	1	1	1	
10	5UL-18101-10	SHIFT SHAFT ASSY	1	1	1	
11	90387-124F4	COLLAR	1	1	1	
12	90508-291A8	SPRING, TORSION	1	1	1	
13	93608-33002	PIN, DOWEL	1	1	1	
14	93102-12224	OIL SEAL	1	1	1	
15	5XC-18110-00	SHIFT PEDAL ASSY	1	1	1	
16	95022-06020	BOLT, FLANGE	1	1	1	



5UMP100-H210

FIG. 21 FRAME

REF. NO.	PART NO.	DESCRIPTION	SUMP	SUMR	SUMS	REMARKS
1	5UM-21101-E0	FRONT FRAME COMP.	1	1	1	
2	5UM-21447-E0	.BRACKET, FOOTREST	1	1	1	
3	1C3-21448-10	.BRACKET, FOOTREST	1	1	1	
4	90149-10031	.SCREW	4	4	4	
5	5UM-21190-E0	REAR FRAME COMP.	1	1	1	
6	90105-08156	BOLT, FLANGE	1	1	1	
7	90105-08307	BOLT, FLANGE	2	2	2	
8	30X-22178-00	TENSIONER	1	1	1	
9	4V4-22184-00	BUSH	1	1	1	
10	90201-08045	WASHER, PLATE	2	2	2	
11	90387-08041	COLLAR	1	1	1	
12	95022-08040	BOLT, FLANGE	1	1	1	
13	3JD-22178-20	TENSIONER	1	1	1	
14	93300-60839	BEARING	1	1	1	
15	90387-086N4	COLLAR	1	1	1	
16	90105-08133	BOLT, FLANGE	1	1	1	
17	90185-08009	NUT, SELF-LOCKING	1	1	1	
18	90201-08043	WASHER, PLATE	1	1	1	
19	90105-10174	BOLT, FLANGE	1	1	1	
20	90179-10658	NUT	1	1	1	
21	90201-10045	WASHER, PLATE	1	1	1	
22	90105-08150	BOLT, FLANGE	2	2	2	
23	5UM-21425-E0	BRACKET, REAR UPPER 1	1	1	1	
24	5UM-21426-E0	BRACKET, REAR UPPER 2	1	1	1	
25	90105-10191	BOLT, FLANGE	1	1	1	
26	90105-08147	BOLT, FLANGE	2	2	2	
27	90201-10045	WASHER, PLATE	1	1	1	



5UMP100-H210

FIG. 21 FRAME

REF. NO.	PART NO.	DESCRIPTION	SUMP	SUMR	SUMS	REMARKS
28	92902-08200	WASHER	4	4	4	
29	90105-10176	BOLT, FLANGE	1	1	1	
30	90179-10658	NUT	1	1	1	
31	90201-10045	WASHER, PLATE	1	1	1	
32	5UM-21417-E0	BRACKET, FRONT LOWER 1	1	1	1	
33	5UM-21418-E0	BRACKET, FRONT LOWER 2	1	1	1	
34	90105-08143	BOLT, FLANGE	4	4	4	
35	92902-08200	WASHER	4	4	4	
36	5XC-21456-90	PLATE, PATCH	2	2	2	
37	5UM-2147A-E0	GUARD, ENGINE 1	1	1	1	
38	90119-06166	BOLT, WITH WASHER	3	3	3	
39	5UM-21486-E0	DAMPER 2	2	2	2	
40	5UM-21485-E0	DAMPER, RUBBER 1	1	1	1	
41	5UM-21455-E0	PLATE, PATCH	2	2	2	
42	5XC-21288-90	GUIDE, CABLE	1	1	1	
43	90105-05014	BOLT, FLANGE	1	1	1	
44	5UM-21268-E0	SEAL	1	1	1	
45	5ET-28166-10	WRENCH, HEXAGON	1	1	1	
46	5TA-2814F-00	BOX, SPARK PLUG	1	1	1	
47	5XC-28116-00	TOOL, SPECIAL	1	1	1	

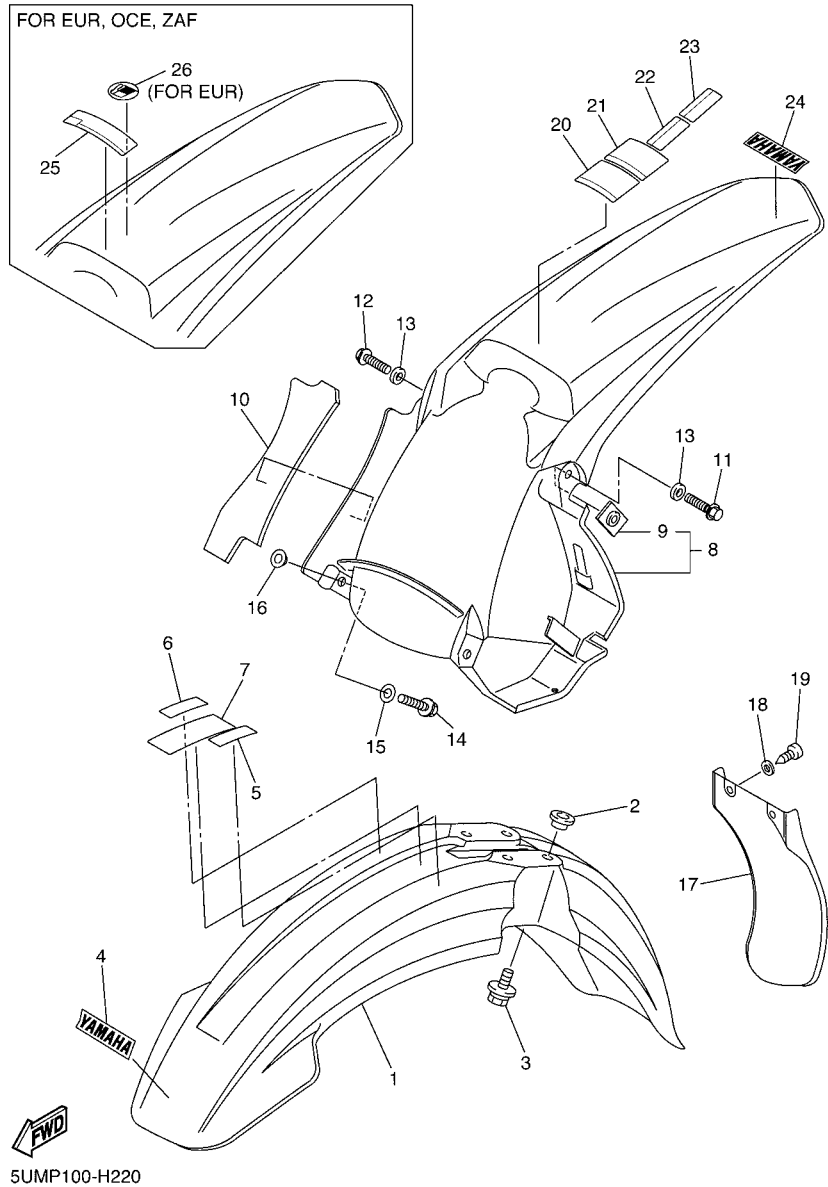
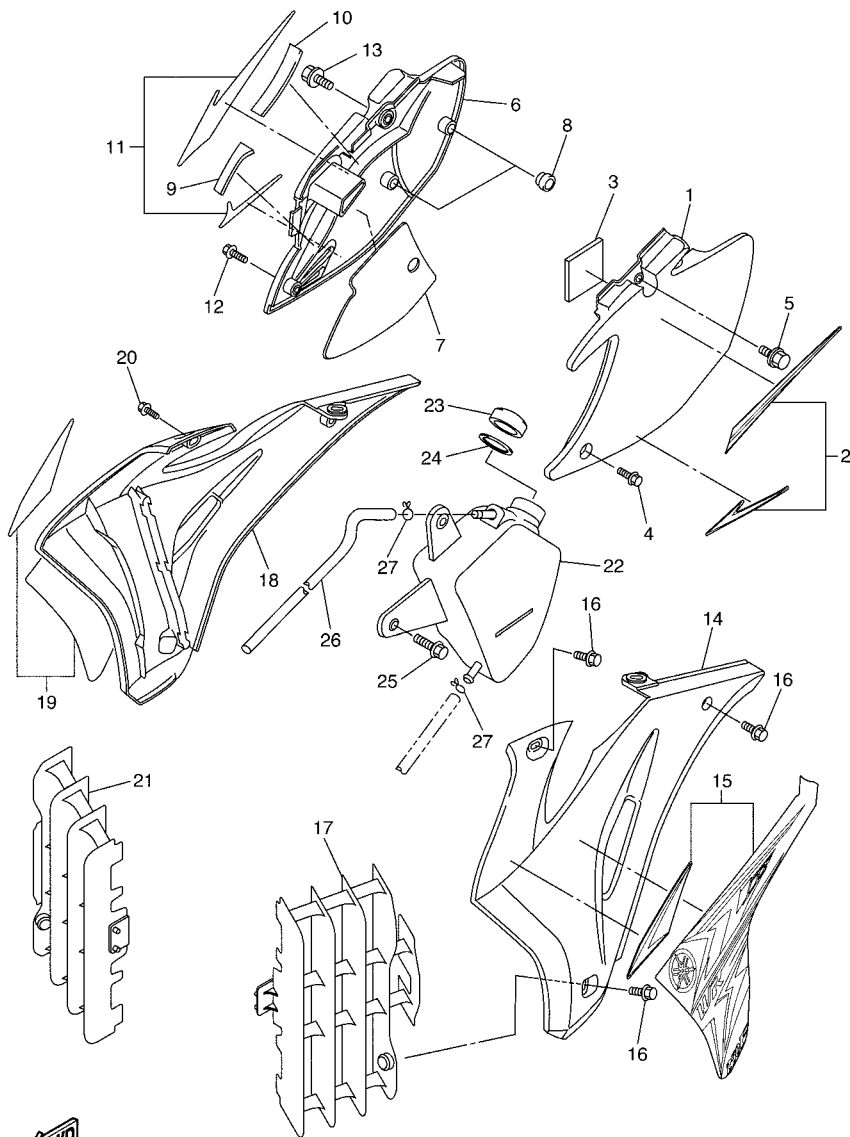


FIG. 22 FENDER

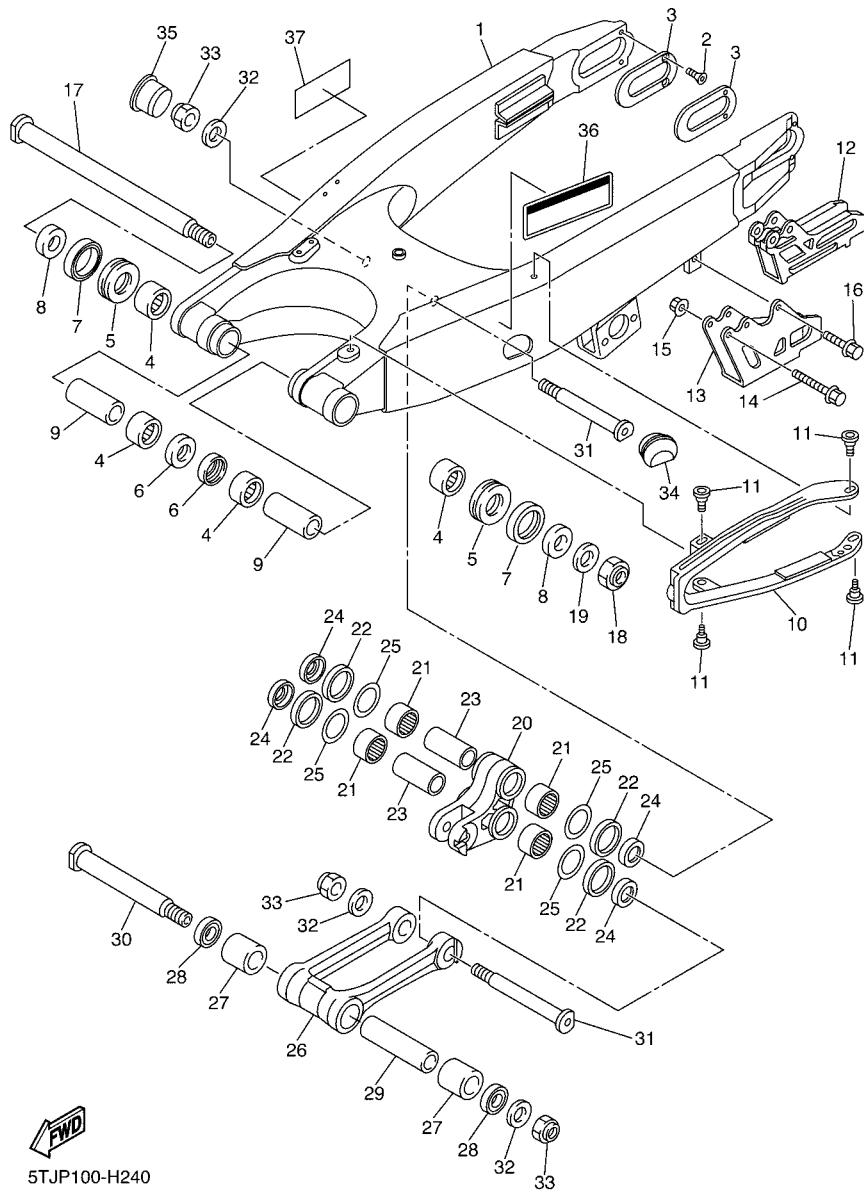
REF. NO.	PART NO.	DESCRIPTION	SUMP	SUMR	SUMS	REMARKS
1	1C3-21511-51	FENDER, FRONT	1	1	1	
2	90387-06090	COLLAR	4	4	4	
3	90119-06147	BOLT, WITH WASHER	4	4	4	
4	4ES-2153E-01	EMBLEM, YAMAHA	1	1	1	
5	3FB-2415E-02	LABEL, CAUTION	1			
6	3FB-2415E-12	LABEL, CAUTION	1			
7	3PT-2416E-10	LABEL, CAUTION CANADA	1			
8	5UM-21610-E0	REAR FENDER COMP.	1	1	1	
9	5XE-21635-10	.NUT, REAR FENDER	2	2	2	
10	5UM-2174T-E0	INSULATOR, SIDE COVER 2	1	1	1	
11	90105-06127	BOLT, FLANGE	1	1	1	
12	90105-06100	BOLT, FLANGE	1	1	1	
13	90201-06032	WASHER, PLATE	2	2	2	
14	90105-06106	BOLT, FLANGE	2	2	2	
15	90201-06571	WASHER, PLATE	2	2	2	
16	90387-06009	COLLAR	2	2	2	
17	5TA-21642-00	GUARD, FLAP	1	1	1	
18	90201-06084	WASHER, PLATE	2	2	2	
19	97702-60016	SCREW, TAPPING	2	2	2	
20	5PA-2118K-00	LABEL, CAUTION	1			
21	5PA-2118K-10	LABEL, CAUTION	1			
22	3XJ-2151H-A1	LABEL 5	1			
23	3XJ-2151H-B1	LABEL 5	1			
24	5UM-2153E-00	EMBLEM, YAMAHA	1	1	1	
25	5PA-21568-01	LABEL, WARNING		1	1	
26	3ME-2415E-01	LABEL, CAUTION		1		



5UMP100-H230

FIG. 23 SIDE COVER

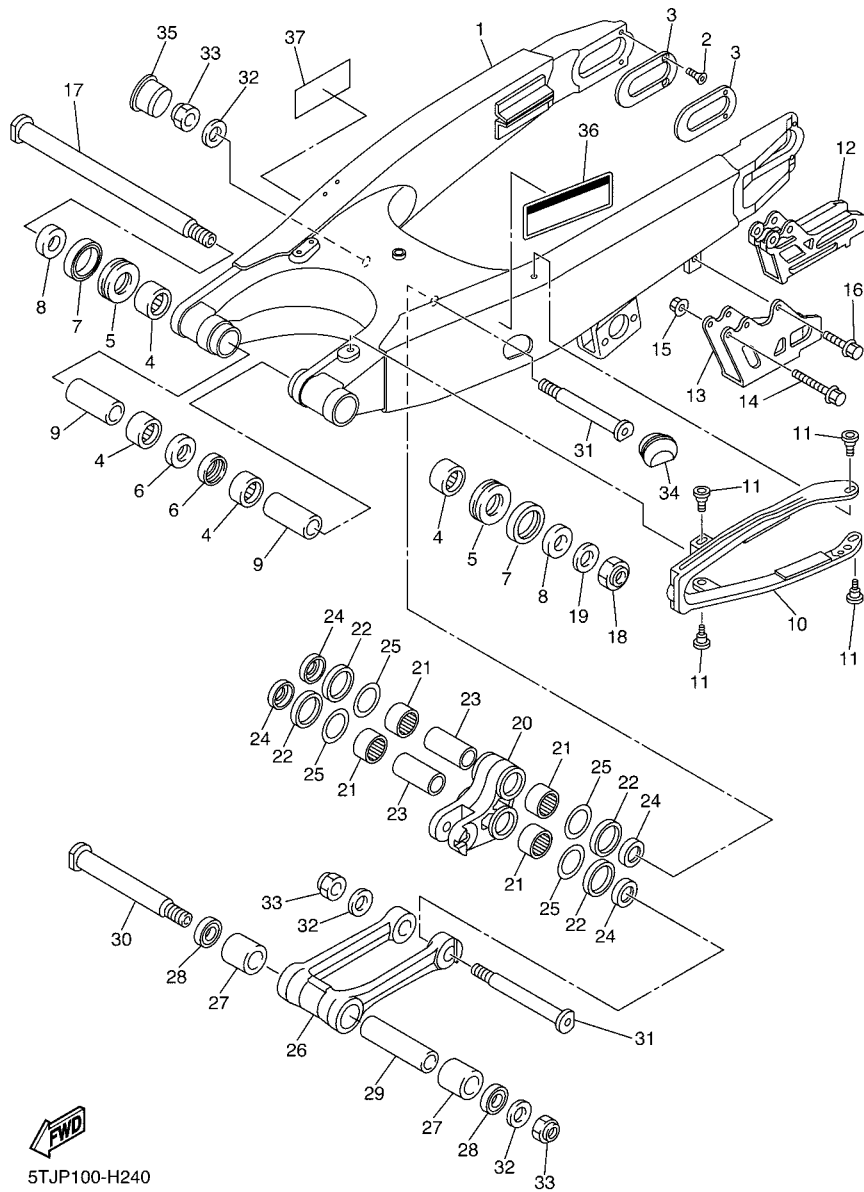
REF. NO.	PART NO.	DESCRIPTION	5UMP	5UMR	5UMS	REMARKS
1	5UM-21711-E0	COVER, SIDE 1	1	1	1	
2	5TJ-2167A-10	GRAPHIC SET	1	1	1	
3	5UM-21717-E0	DAMPER	1	1	1	
4	90105-06103	BOLT, FLANGE	1	1	1	
5	90119-08095	BOLT, WITH WASHER	1	1	1	
6	5UM-21721-E0	COVER, SIDE 2	1	1	1	
7	5UM-2174A-E0	INSULATOR, SIDE COVER	1	1	1	
8	5XC-21719-90	GROMMET	2	2	2	
9	5UM-2172S-E0	INSULATOR 3	1	1	1	
10	5UM-2173S-E0	INSULATOR 4	1	1	1	
11	5TJ-2167B-10	GRAPHIC SET 2	1	1	1	
12	90105-06103	BOLT, FLANGE	1	1	1	
13	90119-08095	BOLT, WITH WASHER	1	1	1	
14	5UM-21730-E0	SIDE COVER ASSY 3	1	1	1	
15	5UM-2173L-10	GRAPHIC SET 1	1	1	1	
16	90105-06064	BOLT, FLANGE	4	4	4	
17	2S2-2172A-70	PANEL 1	1	1	1	
18	5UM-21740-E0	SIDE COVER ASSY 4	1	1	1	
19	5UM-2174L-10	GRAPHIC SET 2	1	1	1	
20	90105-06064	BOLT, FLANGE	4	4	4	
21	2S2-2172A-80	PANEL 1	1	1	1	
22	5UM-21860-E0	TANK ASSY	1	1	1	
23	26H-21875-00	CAP	1	1	1	
24	26H-21874-00	GASKET	1	1	1	
25	90119-06146	BOLT, WITH WASHER	1	1	1	
26	5UM-1244J-E0	HOSE 6	1	1	1	
27	90467-090A2	CLIP	2	2	2	



5TJP100-H240

FIG. 24 REAR ARM

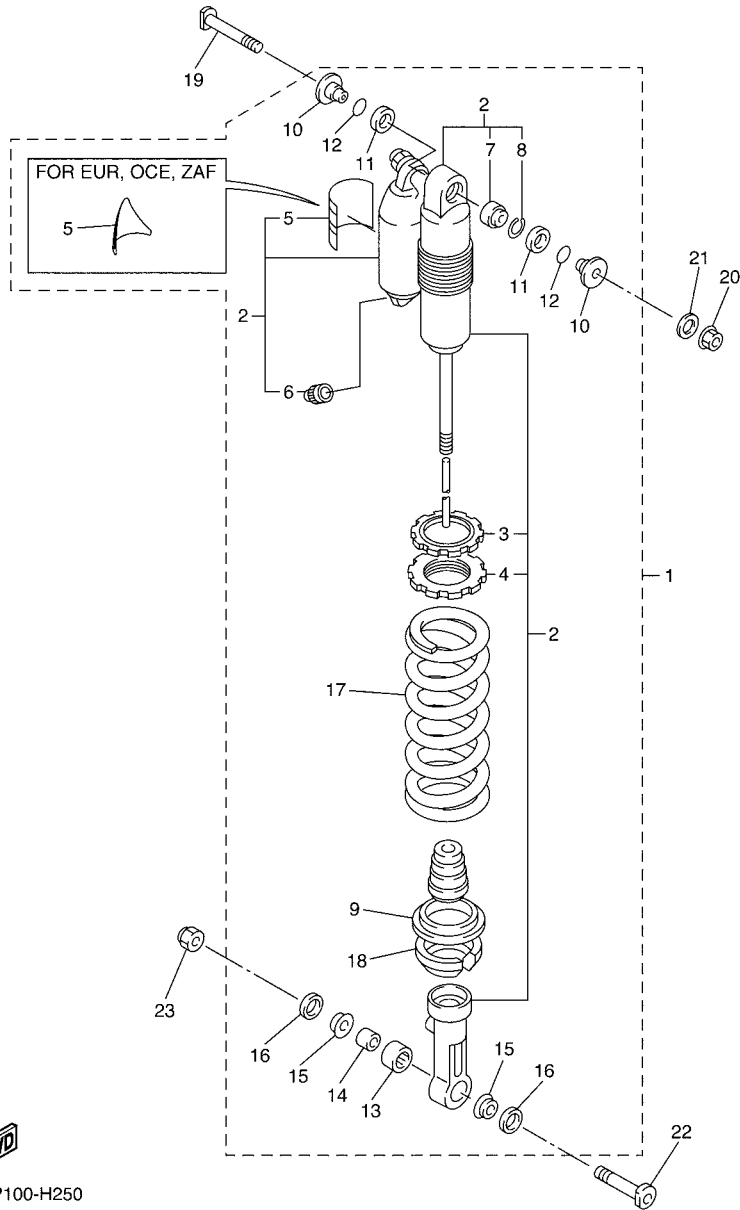
REF. NO.	PART NO.	DESCRIPTION	SUMP	SUMR	SUMS	REMARKS
1	1C3-22110-90	REAR ARM COMP.	1	1	1	
2	90151-04003	SCREW, COUNTERSUNK	4	4	4	
3	1P8-22355-00	PATCH	2	2	2	
4	93317-22262	BEARING	4	4	4	
5	93342-22217	BEARING	2	2	2	
6	93106-22002	OIL SEAL	2	2	2	
7	93109-28043	OIL SEAL	2	2	2	
8	90387-18012	COLLAR	2	2	2	
9	90387-18004	COLLAR	2	2	2	
10	2S2-22151-70	SEAL, GUARD	1	1	1	
11	1C3-22969-90	SCREW, 1	4	4	4	
12	5UM-22199-E0	SUPPORT, CHAIN	1	1	1	
13	2S2-22128-70	COVER, THRUST 1	1	1	1	
14	90105-06104	BOLT, FLANGE	2	2	2	
15	90179-06028	NUT	2	2	2	
16	90105-06105	BOLT, FLANGE	1	1	1	
17	1C3-22141-10	SHAFT, PIVOT	1	1	1	
18	90185-16002	NUT, SELF-LOCKING	1	1	1	
19	90201-16018	WASHER, PLATE	1	1	1	
20	5XC-2217A-90	ARM, RELAY	1	1	1	
21	93315-32166	BEARING	4	4	4	
22	93109-25001	OIL SEAL	4	4	4	
23	90387-16025	COLLAR	2	2	2	
24	90209-16011	WASHER	4	4	4	
25	90201-21014	WASHER, PLATE	4	4	4	
26	5XC-2217F-90	ROD, CONNECTING 1	1	1	1	
27	93315-32269	BEARING	2	2	2	



5TJP100-H240

FIG. 24 REAR ARM

REF. NO.	PART NO.	DESCRIPTION	SUMP	SUMR	SUMS	REMARKS
28	93109-22019	OIL SEAL	2	2	2	
29	90387-14009	COLLAR	1	1	1	
30	5XC-22121-91	SHAFT 1	1	1	1	
31	1C3-22122-00	SHAFT 2	2	2	2	
32	90201-14020	WASHER, PLATE	3	3	3	
33	90185-14010	NUT, SELF-LOCKING	3	3	3	
34	1C3-2135F-00	COVER	1	1	1	
35	1C3-2139R-00	COVER 2	1	1	1	
36	3RV-21668-A0	LABEL, TIRE	1	1	1	
37	3RV-21668-B0	LABEL, TIRE	1			



5TJP100-H250

FIG. 25 REAR SUSPENSION

REF. NO.	PART NO.	DESCRIPTION	SUMP	SUMR	SUMS	REMARKS
1	5UM-22210-20	SHOCK ABSORBER ASSY, REAR	1			
	5UM-22210-F0	SHOCK ABSORBER ASSY, REAR		1		
	5UM-22210-G0	SHOCK ABSORBER ASSY, REAR			1	
2	5UM-22201-20	.DAMPER SUB ASSY	1			
	5UM-22201-F0	.DAMPER SUB ASSY		1		
	5UM-22201-G0	.DAMPER SUB ASSY			1	
3	3SP-22234-00	..GUIDE, SPRING 3	1	1	1	
4	3SP-22213-00	..SEAT, SPRING UPPER	1	1	1	
5	4AA-22259-60	..LABEL, WARNING	1			
	4AA-22259-40	..LABEL, WARNING		1	1	
6	509-23184-L0	..CAP, AIR VALVE	1	1	1	
7	4JX-22226-00	..BUSH, SHOCK ABSORBER LOWER	1	1	1	
8	5DH-23183-00	..CIRCLIP	1	1	1	
9	5MV-22224-00	.GUIDE, SPRING 2	1	1	1	
10	1C3-22253-50	.COLLAR, DISTANCE	2	2	2	
11	3JE-22475-00	.SEAL, DUST	2	2	2	
12	4EW-22474-00	.SEAL, RING	2	2	2	
13	5UN-22176-00	.BEARING	1	1	1	
14	5MV-22184-00	.BUSH	1	1	1	
15	5MV-22253-00	.COLLAR, DISTANCE	2	2	2	
16	5NY-22475-00	.SEAL, DUST	2	2	2	
17	5UN-22212-50	.SPRING (K=52N/MM)	1	1	1	
18	5XE-22214-00	.GUIDE, SPRING 1	1	1	1	
19	5XE-22242-00	BOLT 2	1	1	1	
20	95602-10200	NUT, U FLANGE	1	1	1	
21	92902-10200	WASHER	1	1	1	
22	5NY-22241-00	BOLT 1	1	1	1	

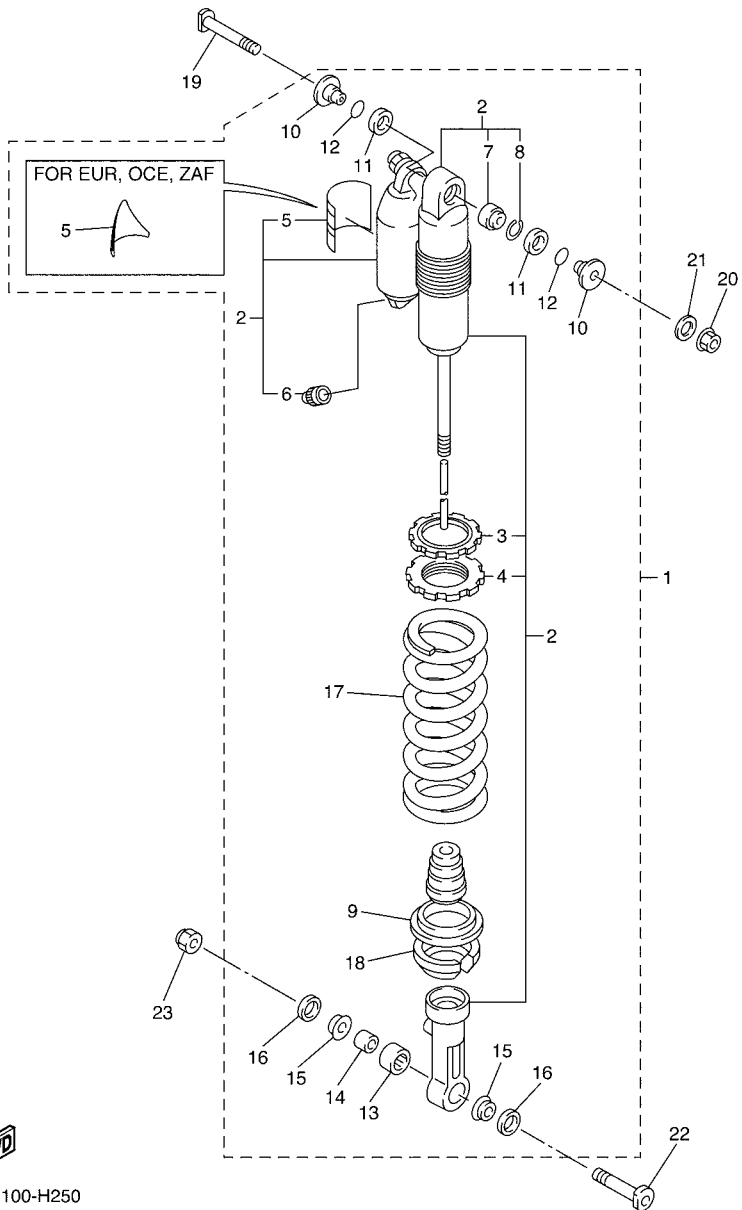
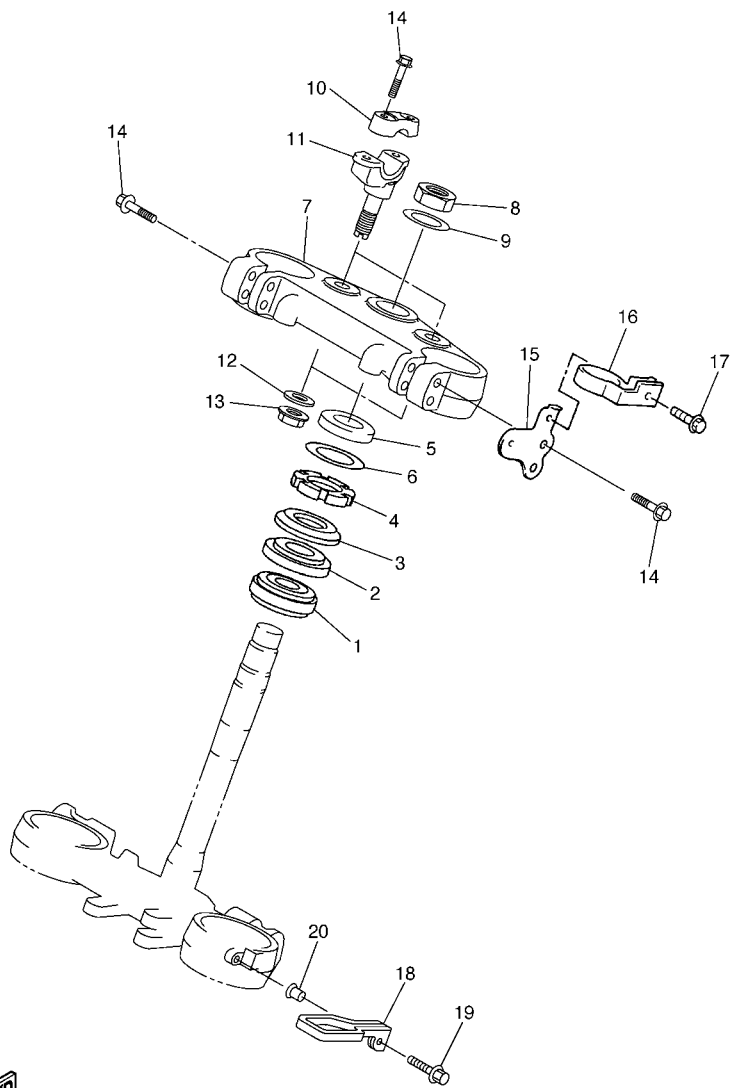


FIG. 25 REAR SUSPENSION

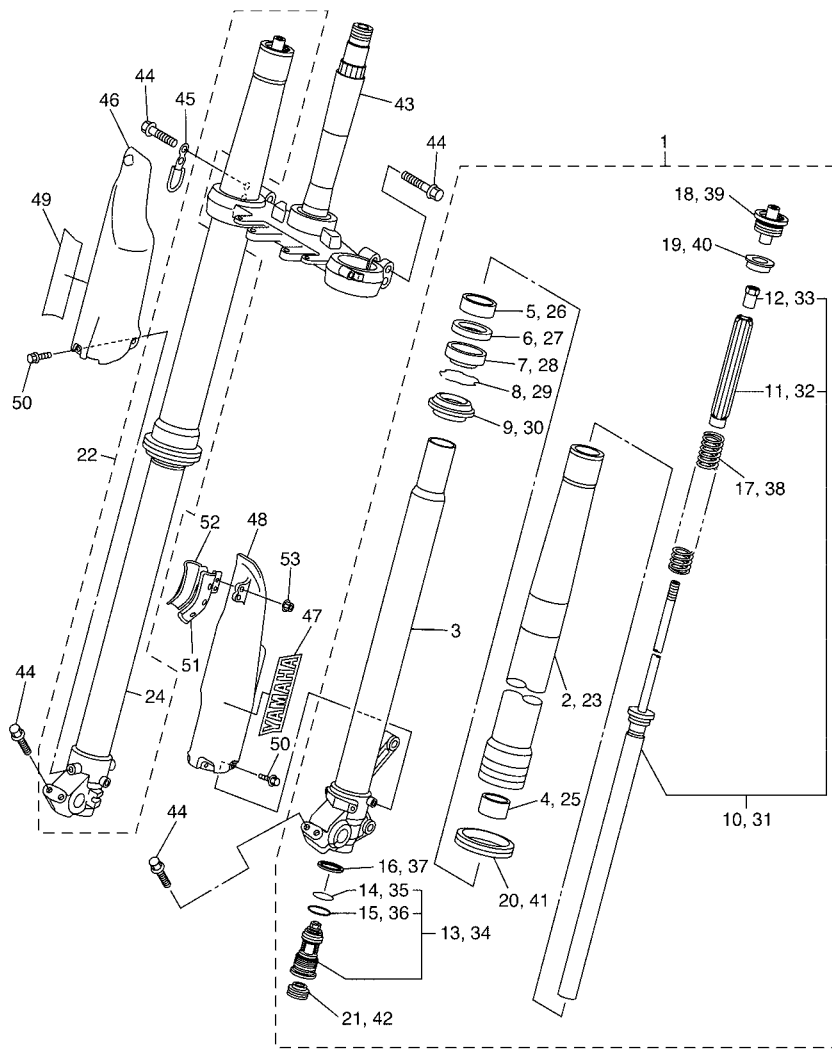
REF. NO.	PART NO.	DESCRIPTION	SUMP	SUMR	SUMS	REMARKS
23	90185-10012	NUT, SELF-LOCKING	1	1	1	



FWD
5UME100-F260

FIG. 26 STEERING

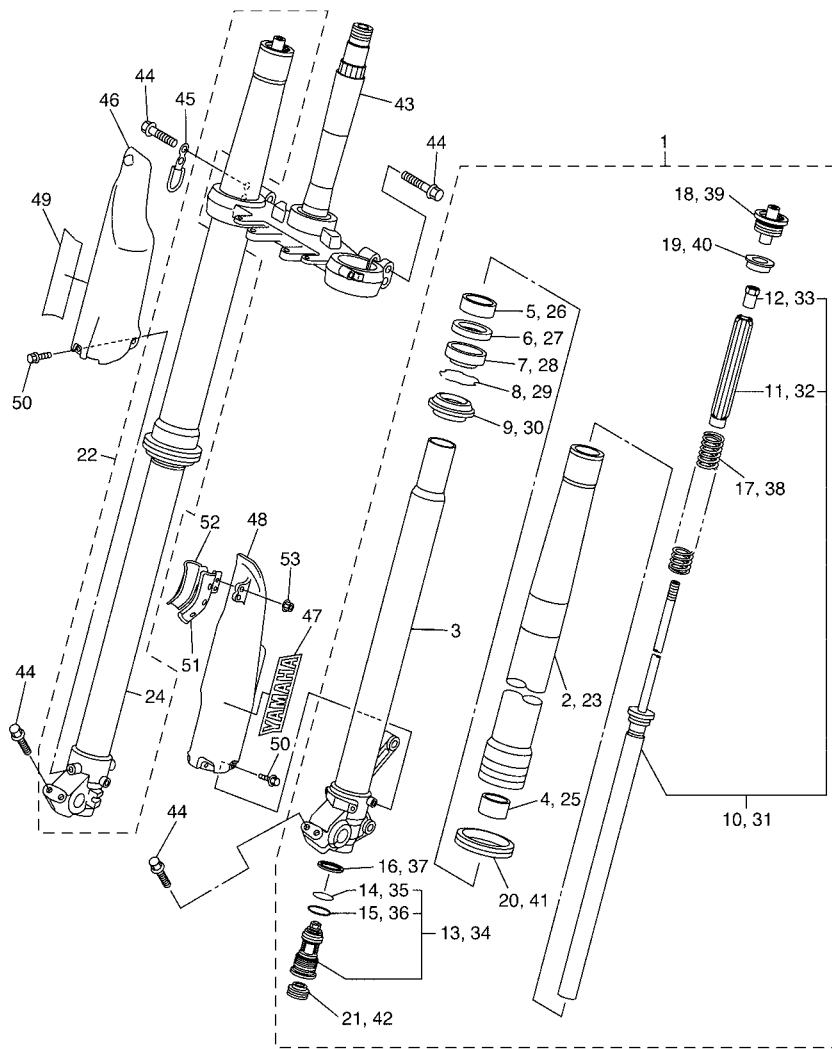
REF. NO.	PART NO.	DESCRIPTION	SUMP	SUMR	SUMS	REMARKS
1	93332-00081	BEARING	1	1	1	
2	93332-00068	BEARING	1	1	1	
3	4EW-23416-00	COVER, BALL RACE 2	1	1	1	
4	90179-28013	NUT	1	1	1	
5	5UM-23113-E0	COLLAR	1	1	1	
6	90201-286K9	WASHER, PLATE (T1.0)	1	1	1	
7	5UM-23435-E1	CROWN, HANDLE	1	1	1	
8	90170-24003	NUT	1	1	1	
9	90201-24016	WASHER, PLATE	1	1	1	
10	5XC-23441-90	HOLDER, HANDLE UPPER	2	2	2	
11	5UM-23442-E0	HOLDER, HANDLE LOWER	2	2	2	
12	92902-10200	WASHER	2	2	2	
13	95602-10200	NUT, U FLANGE	2	2	2	
14	90105-08154	BOLT, FLANGE	8	8	8	
15	5UM-2831V-E0	STAY, HEAD LIGHT 1	1	1	1	
16	5TJ-2331E-80	GUIDE, CABLE	1	1	1	
17	90105-05016	BOLT, FLANGE	1	1	1	
18	5TJ-23389-80	GUIDE, CABLE	1	1	1	
19	90105-06107	BOLT, FLANGE	1	1	1	
20	90387-06104	COLLAR	1	1	1	



5TJP100-H270

FIG. 27 FRONT FORK

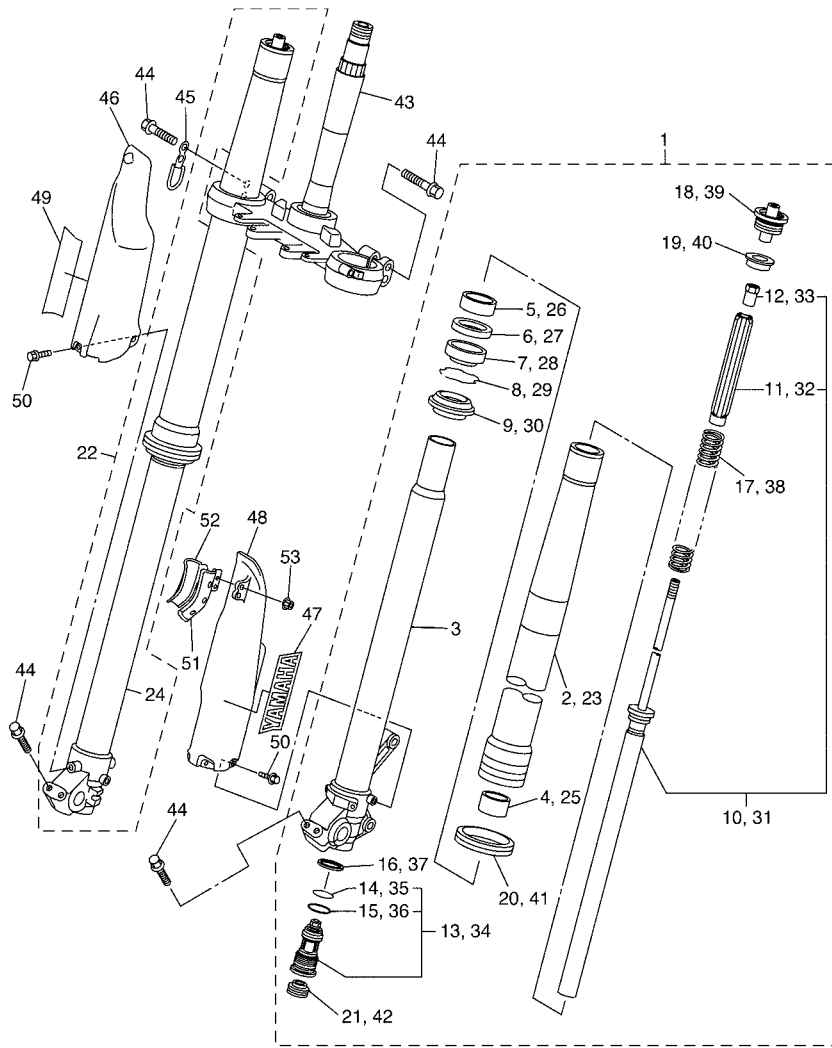
REF. NO.	PART NO.	DESCRIPTION	SUMP	SUMR	SUMS	REMARKS
1	5UM-23102-E0	FRONT FORK ASSY (L.H)	1			
	5UM-23102-F0	FRONT FORK ASSY (L.H)		1	1	
2	5TJ-23136-C0	.TUBE, OUTER (RIGHT)	1	1	1	
3	5TJ-23120-C0	.INNER TUBE COMP.2	1	1	1	
4	5XE-23171-L0	.PISTON, FRONT FORK	1	1	1	
5	5XE-23125-L0	.METAL, SLIDE 1	1	1	1	
6	5XE-23146-L0	.WASHER, OIL SEAL	1	1	1	
7	1C3-23145-L0	.OIL SEAL	1	1	1	
8	5XE-23153-L0	.RING, SNAP	1	1	1	
9	5XE-23144-L0	.SEAL, DUST	1	1	1	
10	5UM-23170-E0	.CYLINDER COMP., FRONT FORK	1	1	1	
11	5XE-23142-L0	..SEAT, SPRING UPPER	1	1	1	
12	5XE-23393-L0	..NUT, SPECIAL	1	1	1	
13	5TJ-2316A-E0	.VALVE COMP.	1			
	5UM-2316A-F0	.VALVE COMP.		1	1	
14	5NY-23188-L0	..O-RING	1	1	1	
15	5NY-23147-L0	..O-RING	1	1	1	
16	4SS-23158-L0	.GASKET	1	1	1	
17	5TJ-23141-A0	.SPRING,FRONT FORK(K=4.4N/MM)	1	1	1	
18	5XE-23111-L0	.BOLT, CAP	1	1	1	
19	5XE-23117-L0	.GUIDE, SPRING	1	1	1	
20	1C3-2314F-M0	.PROTECTOR GUIDE COMP, 1	1	1	1	
21	3JD-2312G-L0	.PLUG	1	1	1	
22	5UM-23103-E0	FRONT FORK ASSY (R.H)	1			
	5UM-23103-F0	FRONT FORK ASSY (R.H)		1	1	
23	5TJ-23136-C0	.TUBE, OUTER (RIGHT)	1	1	1	
24	5TJ-23110-C0	.INNER TUBE COMP.1	1	1	1	



FWD
5TJP100-H270

FIG. 27 FRONT FORK

REF. NO.	PART NO.	DESCRIPTION	SUMP	SUMR	SUMS	REMARKS
25	5XE-23171-L0	.PISTON, FRONT FORK	1	1	1	
26	5XE-23125-L0	.METAL, SLIDE 1	1	1	1	
27	5XE-23146-L0	.WASHER, OIL SEAL	1	1	1	
28	1C3-23145-L0	.OIL SEAL	1	1	1	
29	5XE-23153-L0	.RING, SNAP	1	1	1	
30	5XE-23144-L0	.SEAL, DUST	1	1	1	
31	5UM-23170-E0	.CYLINDER COMP., FRONT FORK	1	1	1	
32	5XE-23142-L0	..SEAT, SPRING UPPER	1	1	1	
33	5XE-23393-L0	..NUT, SPECIAL	1	1	1	
34	5TJ-2316A-E0	.VALVE COMP.	1			
	5UM-2316A-F0	.VALVE COMP.		1	1	
35	5NY-23188-L0	..O-RING	1	1	1	
36	5NY-23147-L0	..O-RING	1	1	1	
37	4SS-23158-L0	.GASKET	1	1	1	
38	5TJ-23141-A0	.SPRING,FRONT FORK(K=4.4N/MM)	1	1	1	
39	5XE-23111-L0	.BOLT, CAP	1	1	1	
40	5XE-23117-L0	.GUIDE, SPRING	1	1	1	
41	1C3-2314F-M0	.PROTECTOR GUIDE COMP, 1	1	1	1	
42	3JD-2312G-L0	.PLUG	1	1	1	
43	5UM-23340-L0	UNDER BRACKET COMP.	1	1	1	
44	90105-08134	BOLT, FLANGE	8	8	8	
45	5TJ-23525-C0	GUIDE	1	1	1	
46	5TJ-2315J-C0	PROTECTOR 2	1	1	1	
47	4XL-2153A-10	EMBLEM, YAMAHA	1	1	1	
48	1C3-2315H-10	PROTECTOR 1	1	1	1	
49	4XL-2153A-10	EMBLEM, YAMAHA	1	1	1	
50	3SP-23356-L0	BOLT 2	6	6	6	



FWD
5TJP100-H270

FIG. 27 FRONT FORK

REF. NO.	PART NO.	DESCRIPTION	SUMP	SUMR	SUMS	REMARKS
51	5XC-23466-L0	CLAMP	1	1	1	
52	5XC-23467-L0	CLAMP	1	1	1	
53	95702-06500	NUT, FLANGE	2	2	2	

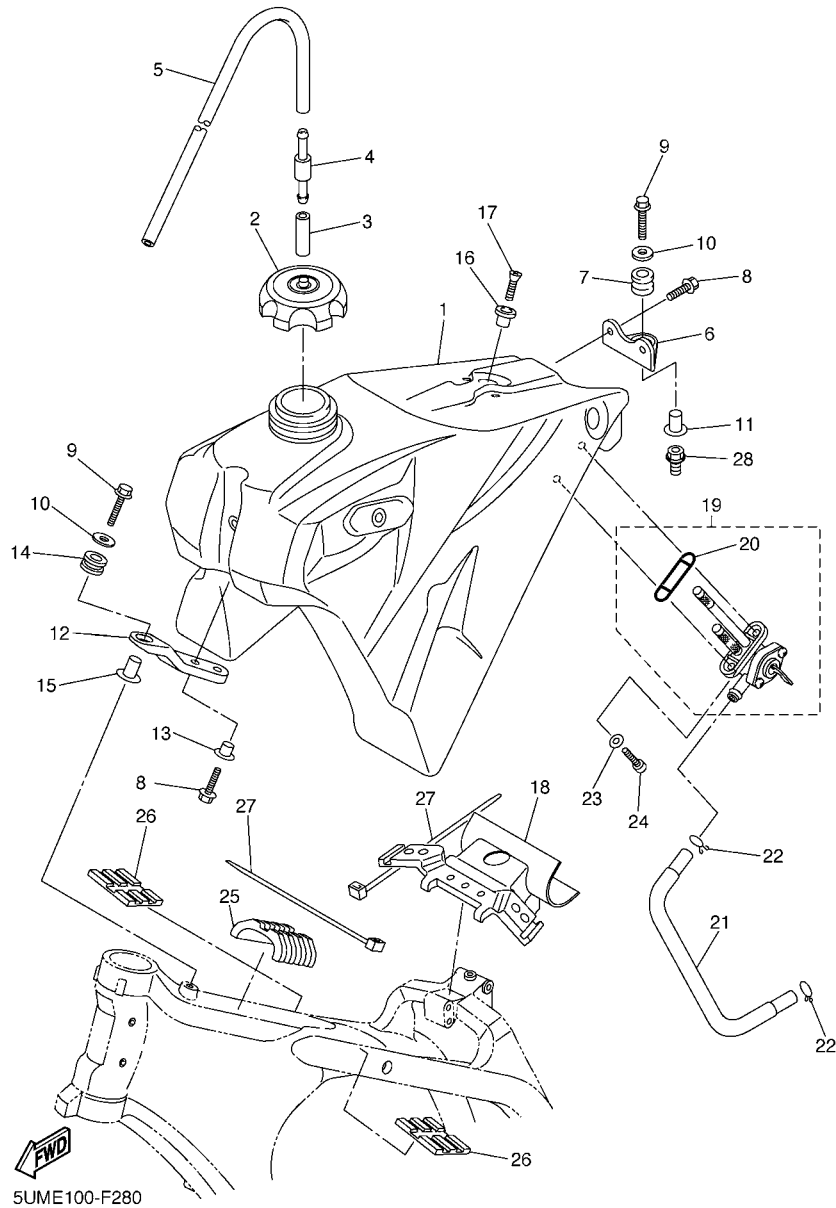


FIG. 28 FUEL TANK

REF. NO.	PART NO.	DESCRIPTION	SUMP	SUMR	SUMS	REMARKS
1	5TJ-24110-J0	FUEL TANK COMP.	1			
	5UM-24110-E1	FUEL TANK COMP.		1	1	
2	5NY-24610-00	CAP ASSY	1	1	1	
3	90445-09027	HOSE (L30)	1			
	90445-09220	HOSE (L30)		1	1	
4	3XJ-24380-00	PIPE JOINT ASSY	1	1	1	
5	90445-09251	HOSE (L350)	1	1	1	
6	5XE-24144-00	HOLDER, DAMPER	1	1	1	
7	90480-18549	GROMMET	1	1	1	
8	90105-06107	BOLT, FLANGE	4	4	4	
9	90105-06111	BOLT, FLANGE	2	2	2	
10	90201-06570	WASHER, PLATE	2	2	2	
11	3JD-24186-00	WASHER, SPECIAL	1	1	1	
12	5UM-2419A-E0	HOLDER	1	1	1	
13	90387-06090	COLLAR	2	2	2	
14	5XC-24339-90	GROMMET	1	1	1	
15	90387-06065	COLLAR	1	1	1	
16	4EW-2412F-00	BRACKET, SEAT	1	1	1	
17	98702-06025	SCREW, FLAT HEAD	1	1	1	
18	5UM-24181-E0	DAMPER, LOCATING 1	1	1	1	
19	5UM-24500-E0	FUEL COCK ASSY 1	1	1	1	
20	1P6-24512-00	.O-RING	1	1	1	
21	5UM-24311-J0	PIPE, FUEL 1	1			
	5UM-24311-E0	PIPE, FUEL 1		1	1	
22	90467-100A1	CLIP	2	2	2	
23	90202-05193	WASHER, PLATE	2	2	2	
24	90149-06108	SCREW	2	2	2	

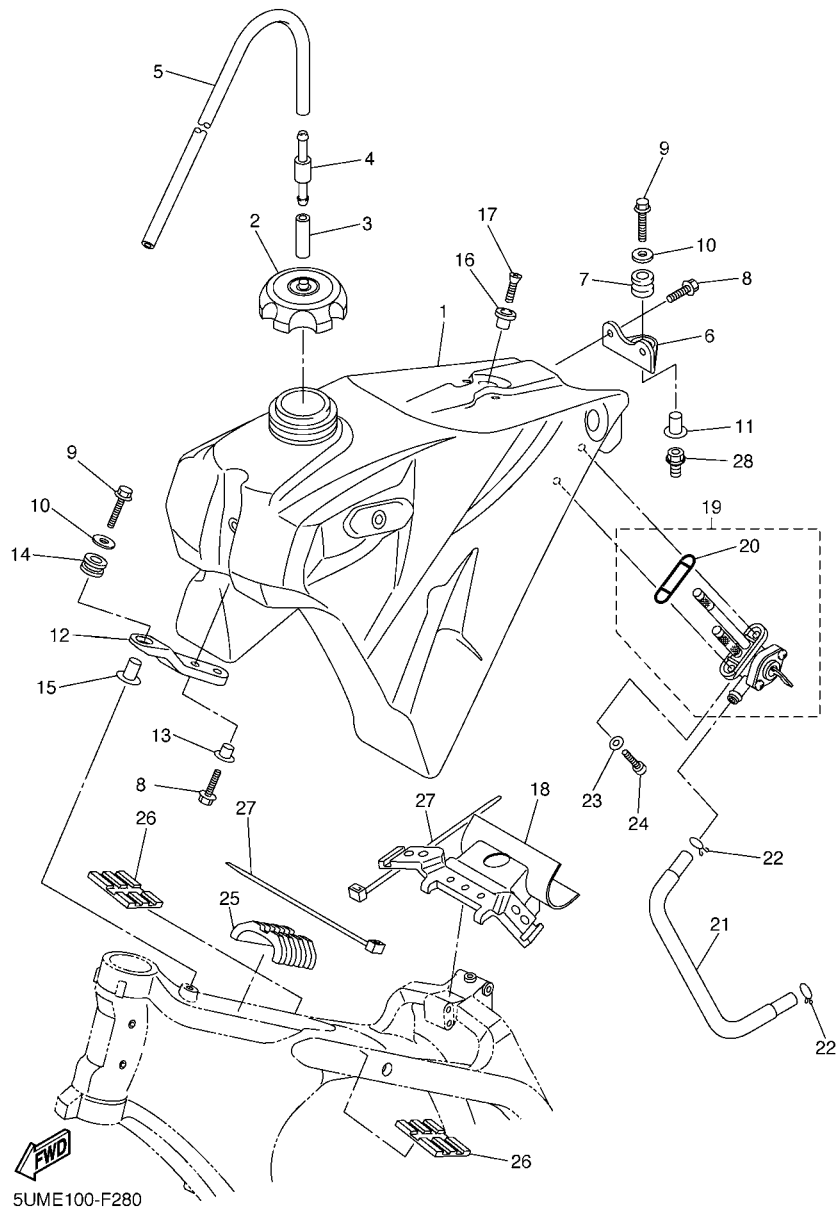
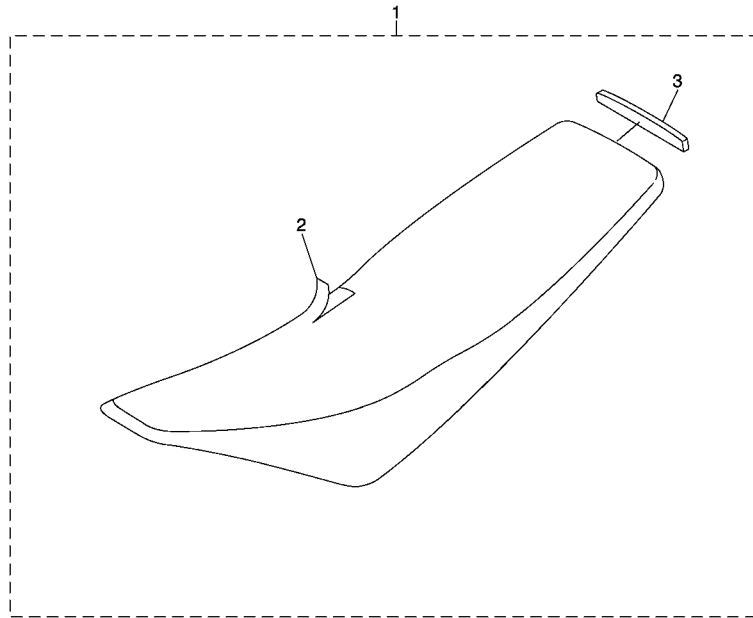


FIG. 28 FUEL TANK

REF. NO.	PART NO.	DESCRIPTION	SUMP	SUMR	SUMS	REMARKS
25	5XC-24182-90	DAMPER, LOCATING 2	1	1	1	
26	5XC-24183-90	DAMPER, LOCATING 3	2	2	2	
27	90465-13275	CLAMP	3	3	3	
28	1C3-21244-10	NUT	1	1	1	

FIG. 29 SEAT



REF. NO.	PART NO.	DESCRIPTION	SUMP	SUMR	SUMS	REMARKS
1	5UM-24710-E0	SINGLE SEAT ASSY	1	1	1	
2	5UM-2470F-E0	.SEAT COVER COMP.	1	1	1	
3	5UM-24723-E0	.DAMPER, SEAT	1	1	1	


5TJE100-F290

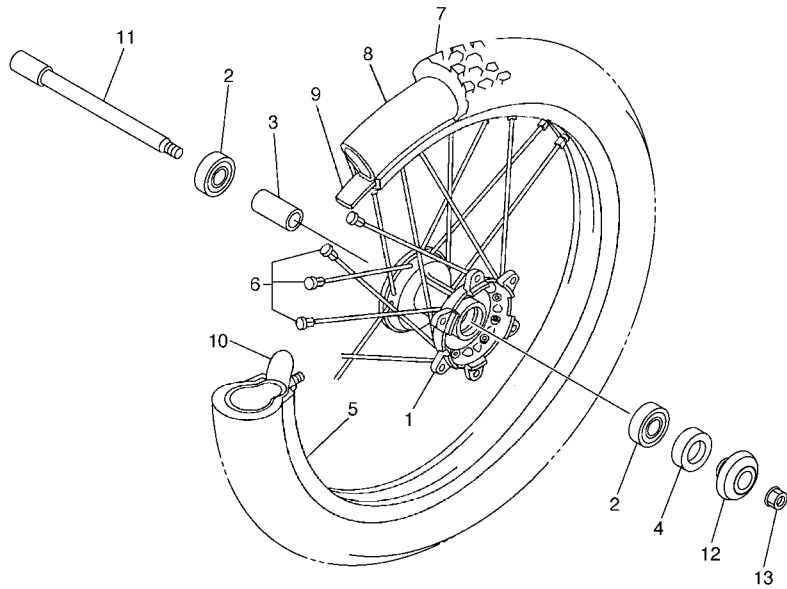


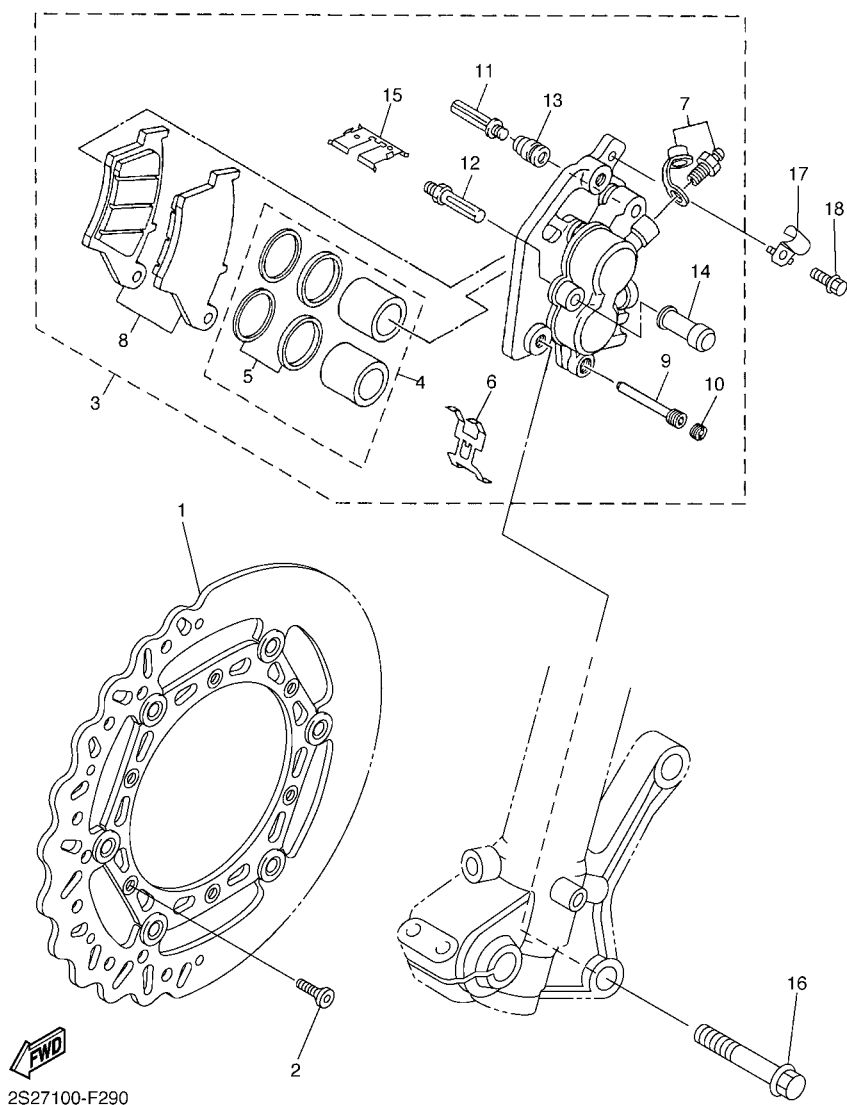
FIG. 30 FRONT WHEEL

REF. NO.	PART NO.	DESCRIPTION	SUMP	SUMR	SUMS	REMARKS
1	5NG-25111-50	HUB, FRONT	1	1	1	
2	93306-90409	BEARING	2	2	2	
3	5NY-25117-00	SPACER, BEARING	1	1	1	
4	93102-26468	OIL SEAL	1	1	1	
5	94416-21005	RIM (1.60-21)	1	1	1	
6	5NY-25104-00	SPOKE SET, FRONT	1	1	1	
7	94108-21015	TIRE (80/100-21 51M D739FA)	1		1	DUNLOP(CAN,ZAF)
	94109-21009	TIRE (90/90-21 M/C 54R D908F)			1	DUNLOP(EUR,OCE)
8	94227-21101	TUBE (80/100-21 M/C TR4)	1	1	1	DUNLOP
9	94309-21161	BAND, RIM (22-21)	1	1	1	DUNLOP
10	5SF-25394-00	SPACER, BEAD	1	1	1	
11	1C3-25181-10	AXLE, WHEEL	1	1	1	
12	5TJ-2510C-80	COLLAR ASSY.	1	1	1	
13	90179-16011	NUT	1	1	1	

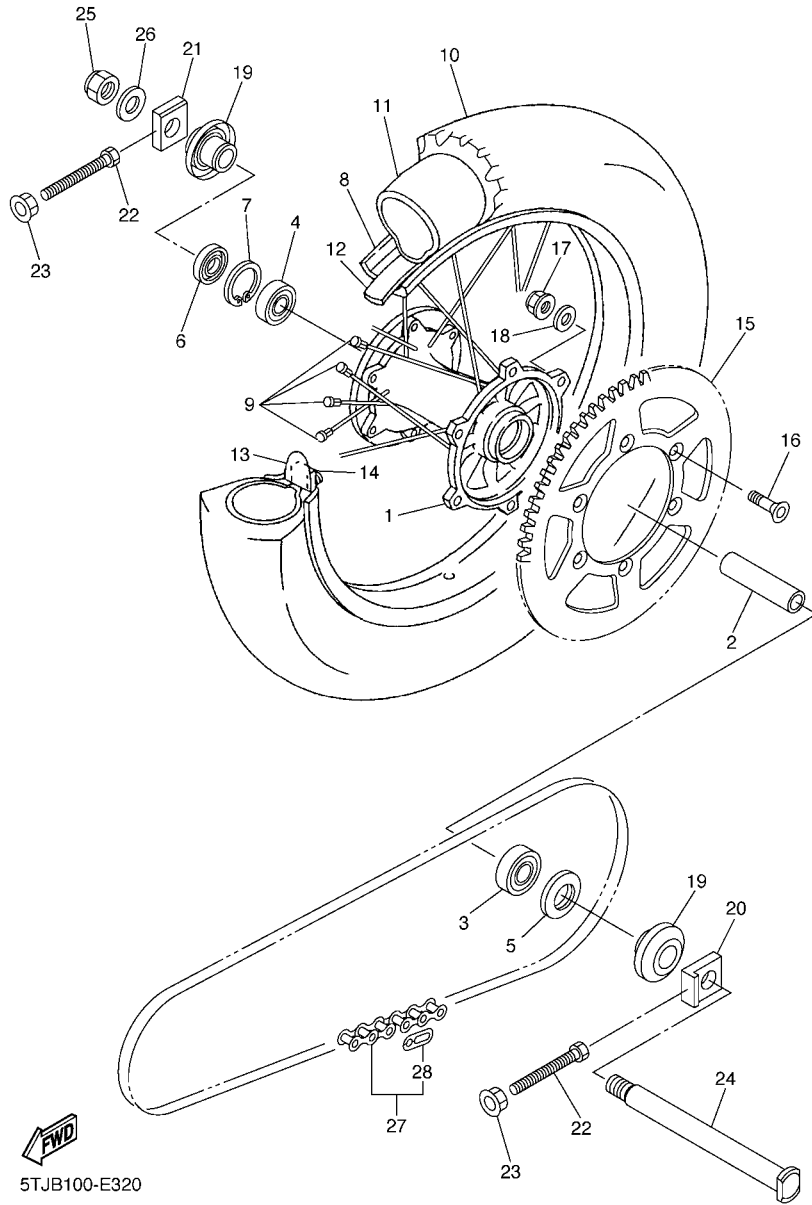


5TJB100-E300

FIG. 31 FRONT BRAKE CALIPER



REF. NO.	PART NO.	DESCRIPTION	SUMP	SUMR	SUMS	REMARKS
1	2S2-2581T-70	DISK BRAKE ASSY	1	1	1	
2	90151-06051	SCREW, COUNTERSUNK	6	6	6	
3	1C3-2580T-00	CALIPER ASSY (LEFT)	1	1	1	
4	5UN-W0057-00	.PISTON ASSY, CALIPER	1	1	1	
5	3JD-W0047-00	..CALIPER SEAL KIT	1	1	1	
6	5DH-25919-00	.SUPPORT, PAD	1	1	1	
7	1UY-W0048-50	.BLEED SCREW KIT	1	1	1	
8	5MV-W0045-01	.BRAKE PAD KIT	1	1	1	
9	5DH-25933-00	.PIN, PAD	1	1	1	
10	5DH-25916-00	.PLUG	1	1	1	
11	3SP-25926-51	.BOLT	1	1	1	
12	3SP-25914-51	.PIN, SLIDE	1	1	1	
13	3JD-25917-00	.BOOT, CALIPER	1	1	1	
14	1UY-25937-51	.BOOT 2	1	1	1	
15	5DH-25849-00	.RETAINER, CALIPER	1	1	1	
16	90105-08137	BOLT, FLANGE	2	2	2	
17	1C3-25875-50	HOLDER, BRAKE HOSE 1	1	1	1	
18	90105-06105	BOLT, FLANGE	1	1	1	



5TJB100-E320

FIG. 32 REAR WHEEL

REF. NO.	PART NO.	DESCRIPTION	SUMP	SUMR	SUMS	REMARKS
1	5ET-25311-00	HUB, REAR	1	1	1	
2	5ET-25317-00	SPACER, BEARING	1	1	1	
3	93306-27212	BEARING	1	1	1	
4	93306-07202	BEARING	1	1	1	
5	93106-30001	OIL SEAL	1	1	1	
6	93106-30045	OIL SEAL	1	1	1	
7	99009-45500	CIRCLIP	1	1	1	
8	94418-18006	RIM (1.85-18)	1	1	1	
	94421-18005	RIM (2.15-18)		1	1	
9	5GS-25304-00	SPOKE SET, REAR	1	1	1	
10	94110-18009	TIRE (100/100-18 59M D756)	1	1	1	DUNLOP(CAN,ZAF)
	94113-18015	TIRE (130/90-18 M/C 69R D908)		1	1	DUNLOP(EUR,OCE)
11	94211-18176	TUBE (100/100-18 M/C TR4)	1	1	1	DUNLOP(CAN,ZAF)
	94213-18012	TUBE (4.50,5.10,130/90-18)		1	1	DUMLOP(EUR,OCE)
12	94309-18146	BAND, RIM (25-18)	1	1	1	DUNLOP
13	4XM-25394-00	SPACER, BEAD	2	2	2	UR FOR CAN,ZAF
	3JE-25394-00	SPACER, BEAD		2	2	UR FOR EUR,OCE
14	4XM-25364-00	DAMPER	2	2	2	
15	5TJ-25450-80	SPROCKET, DRIVEN (50T)	1	1	1	STD FOR CAN,ZAF
	1C3-25447-00	SPROCKET, DRIVEN (47T)		1	1	STD
	1C3-25450-00	SPROCKET, DRIVEN (50T)		1	1	STD FOR OCE
	1C3-25448-00	SPROCKET, DRIVEN (48T)		1	1	AP
	1C3-25449-00	SPROCKET, DRIVEN (49T)		1	1	AP
	1C3-25450-00	SPROCKET, DRIVEN (50T)		1	1	AP
	1C3-25451-00	SPROCKET, DRIVEN (51T)		1	1	AP
	1C3-25452-00	SPROCKET, DRIVEN (52T)		1	1	AP
	5GS-25448-50	SPROCKET, DRIVEN (48T)	1	1	1	AP

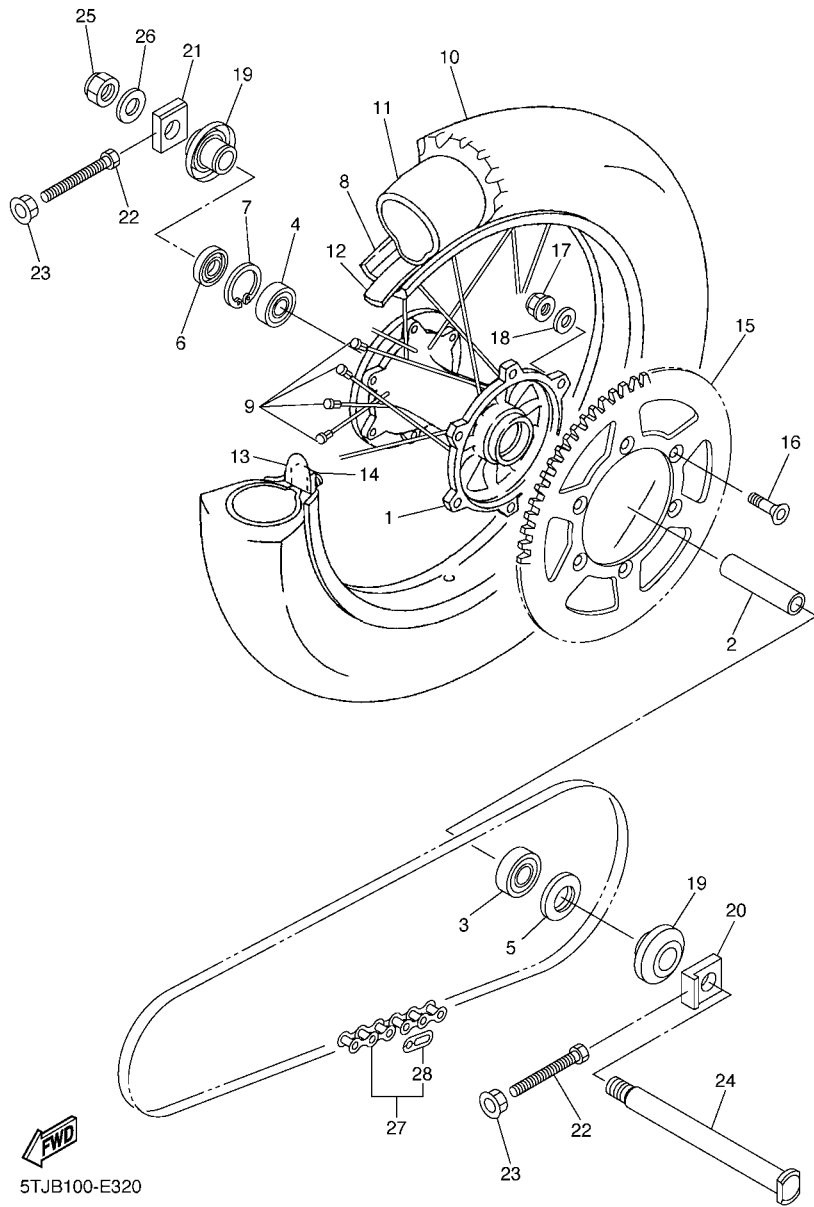


FIG. 32 REAR WHEEL

REF. NO.	PART NO.	DESCRIPTION	SUMP	SUMR	SUMS	REMARKS
15	5TJ-25450-80	SPROCKET, DRIVEN (50T)	1	1	1	AP
	5TJ-25452-80	SPROCKET, DRIVEN (52T)	1	1	1	AP
16	90109-08078	BOLT	6	6	6	
17	90185-08008	NUT, SELF-LOCKING	6	6	6	
18	90201-08048	WASHER, PLATE	6	6	6	
19	5TJ-2530S-80	COLLAR ASSY	2	2	2	
20	1C3-25388-H0	PULLER, CHAIN 1	1	1	1	
21	1C3-25389-H0	PULLER, CHAIN 2	1	1	1	
22	90101-08006	BOLT	2	2	2	
23	90179-08019	NUT	2	2	2	
24	1C3-25381-90	AXLE, WHEEL	1	1	1	
25	90185-20002	NUT, SELF-LOCKING	1	1	1	
26	90201-20020	WASHER, PLATE	1	1	1	
27	9Y58A-76113	CHAIN (DID 520VM-114LL)	1	1	1	
28	94681-76021	.JOINT, CHAIN (DID 520VM-ZJ)	1	1	1	

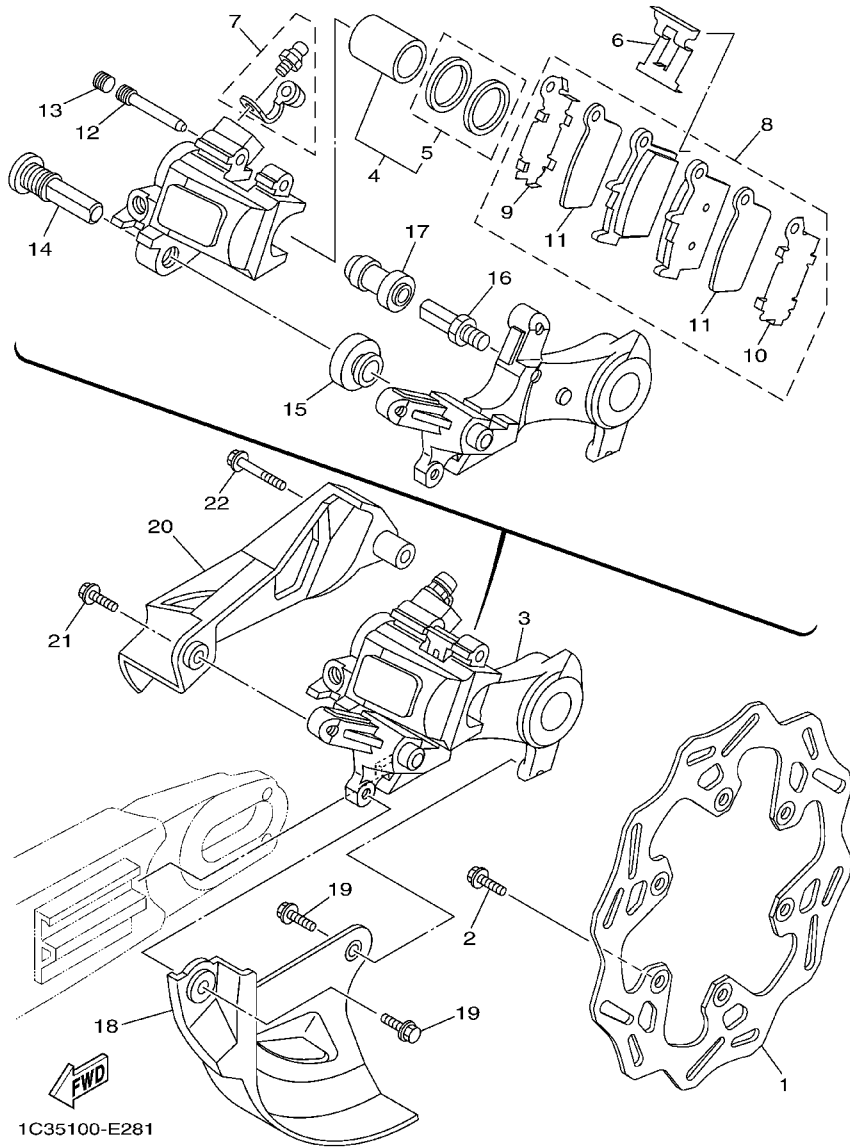


FIG. 33 REAR BRAKE CALIPER

REF. NO.	PART NO.	DESCRIPTION	SUMP	SUMR	SUMS	REMARKS
1	2S2-2582W-70	DISK, REAR BRAKE 2	1	1	1	
2	90105-06108	BOLT, FLANGE	6	6	6	
3	1C3-2580W-72	CALIPER ASSY, REAR 2	1	1	1	
4	5UN-W0057-50	.PISTON ASSY, CALIPER	1	1	1	
5	5UN-W0047-50	..CALIPER SEAL KIT	1	1	1	
6	5DH-25919-50	..SUPPORT, PAD	1	1	1	
7	1UY-W0048-50	.BLEED SCREW KIT	1	1	1	
8	1C3-W0046-B0	.BRAKE PAD KIT 2	1	1	1	
9	5UN-25828-60	..SHIM, CALIPER	1	1	1	
10	5UN-25827-60	..SHIM, CALIPER	1	1	1	
11	5UN-22898-60	..INSULATOR, HEAT	2	2	2	
12	8CR-25924-00	.PIN, PAD	1	1	1	
13	5DH-25916-00	.PLUG	1	1	1	
14	5DH-25914-50	.PIN, SLIDE	1	1	1	
15	3JD-25917-00	.BOOT, CALIPER	1	1	1	
16	5UN-25914-00	.PIN, SLIDE	1	1	1	
17	1UY-25937-51	.BOOT 2	1	1	1	
18	1C3-25718-50	PROTECTOR, DISK BRAKE	1	1	1	
19	90105-06110	BOLT, FLANGE	2	2	2	
20	1C3-27491-50	PROTECTOR	1	1	1	
21	90105-06107	BOLT, FLANGE	1	1	1	
22	90105-06111	BOLT, FLANGE	1	1	1	

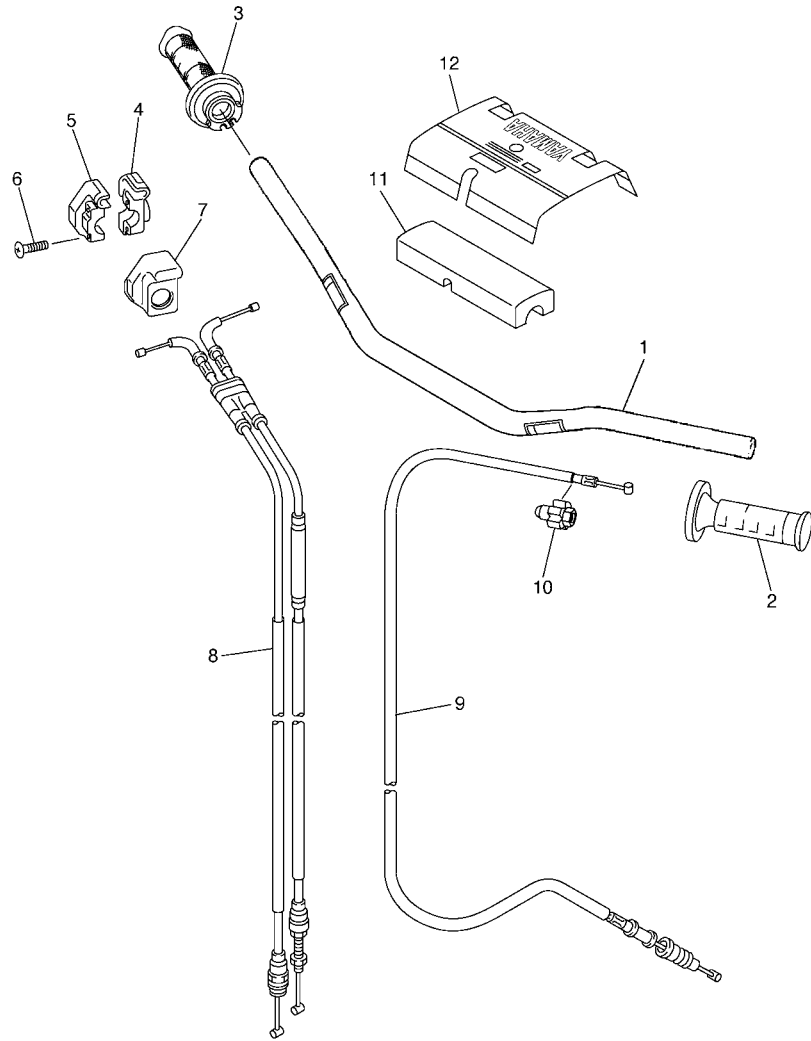


FIG. 34 STEERING HANDLE & CABLE

REF. NO.	PART NO.	DESCRIPTION	SUMP	SUMR	SUMS	REMARKS
1	5XC-26111-L0	HANDLEBAR	1	1	1	
2	4GY-26241-00	GRIP	1	1	1	
3	5TJ-26240-C0	GRIP ASSY	1	1	1	
4	5BE-26281-00	CAP, GRIP UPPER	1	1	1	
5	5BE-26282-00	CAP, GRIP UNDER	1	1	1	
6	98502-05020	SCREW, PAN HEAD	2	2	2	
7	5SF-26287-10	COVER, CAP GRIP	1	1	1	
8	5UM-26302-E0	THROTTLE CABLE ASSY	1	1	1	
9	5UM-26335-E0	CABLE, CLUTCH	1	1	1	
10	1C3-26342-50	BOOT, CABLE	1	1	1	
11	5XC-26124-90	PROTECTOR, HANDLEBAR	1	1	1	
12	5XC-26143-L0	COVER, HANDLEBAR UPPER 1	1	1	1	

 5UME100-F340



5XD5100-D331

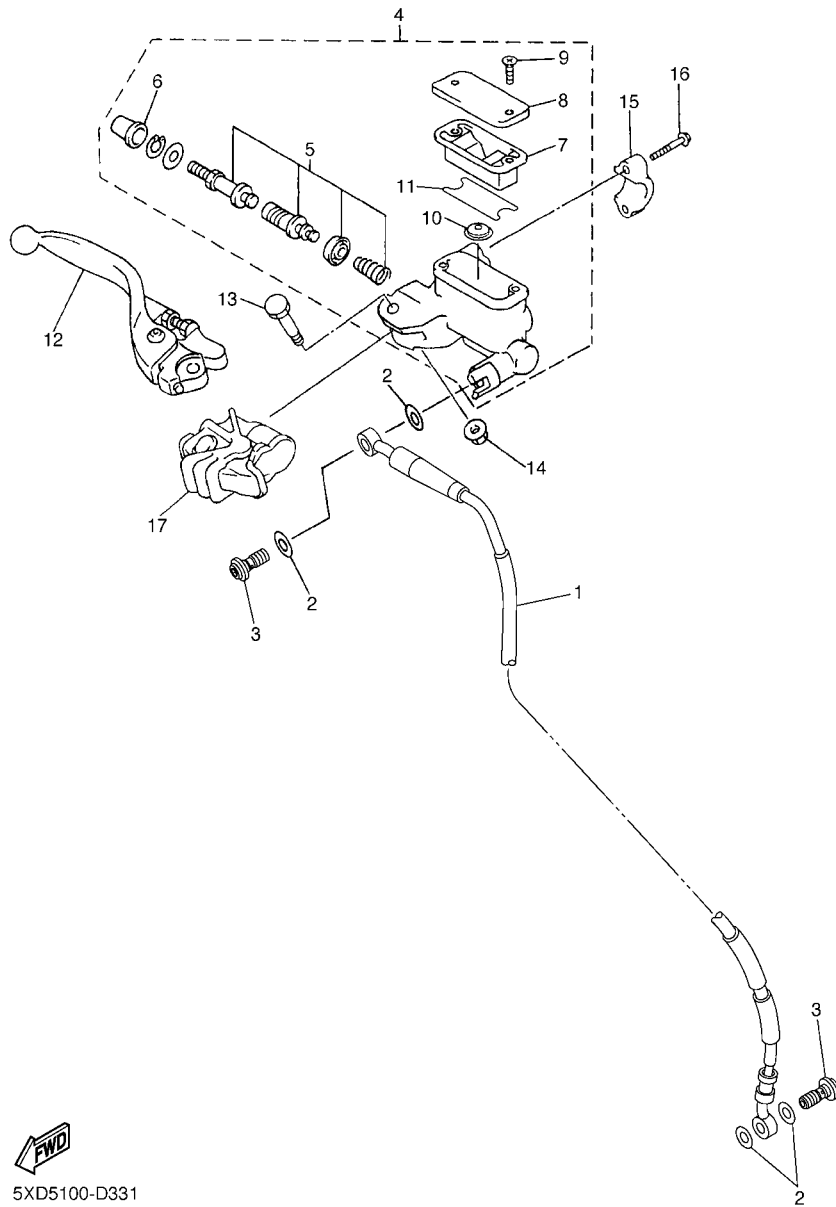


FIG. 35 FRONT MASTER CYLINDER

REF. NO.	PART NO.	DESCRIPTION	SUMP	SUMR	SUMS	REMARKS
1	5TJ-25872-80	HOSE, BRAKE 1	1	1	1	
2	90430-10005	GASKET	4	4	4	
3	90401-10172	BOLT, UNION	2	2	2	
4	5XE-W2587-10	MASTER CYLINDER SUB ASSY	1	1	1	
5	5NY-W0041-00	.CYLINDER KIT, MASTER	1	1	1	
6	5NY-25868-00	.BOOT, MASTER CYLINDER	1	1	1	
7	5XE-25854-00	.GASKET, DIAPHRAGM	1	1	1	
8	5MV-25852-01	.CAP, RESERVOIR	1	1	1	
9	98706-04012	.SCREW, FLAT HEAD	2	2	2	
10	5CG-25715-00	.SEPARATOR ASSY	1	1	1	
11	5XE-25853-00	.FLOAT, RESERVOIR	1	1	1	
12	1C3-83922-50	LEVER 2	1	1	1	
13	5MV-2589F-00	BOLT, LEVER	1	1	1	
14	95701-06500	NUT, WITH WASHER	1	1	1	
15	5MV-25867-00	BRACKET, MASTER CYLINDER	1	1	1	
16	5MV-25833-00	BOLT, FITTING	2	2	2	
17	5NY-26372-00	COVER, HANDLE LEVER 1	1	1	1	

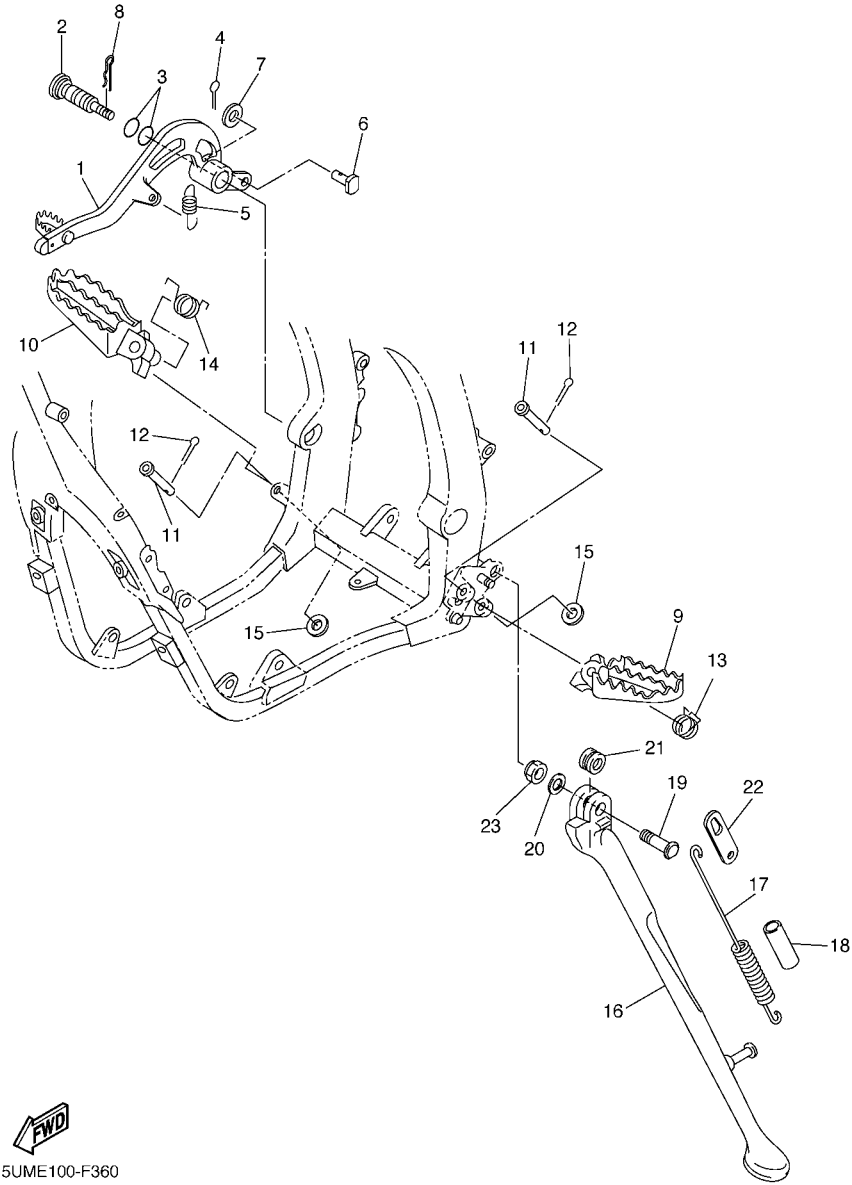


FIG. 36 STAND & FOOTREST

REF. NO.	PART NO.	DESCRIPTION	SUMP	SUMR	SUMS	REMARKS
1	5XC-27200-A0	PEDAL, BRAKE	1	1	1	
2	5XC-27217-90	BOLT	1	1	1	
3	93210-11073	O-RING	2	2	2	
4	91402-20012	PIN, COTTER	1	1	1	
5	90506-16007	SPRING, TENSION	1	1	1	
6	90240-08120	PIN, CLEVIS	1	1	1	
7	90201-08044	WASHER, PLATE	1	1	1	
8	90468-16001	CLIP	1	1	1	
9	5XC-27411-M1	FOOTREST 1	1	1	1	
10	5XC-27421-M1	FOOTREST 2	1	1	1	
11	90240-10004	PIN, CLEVIS	2	2	2	
12	91402-25015	PIN, COTTER	2	2	2	
13	90508-28015	SPRING, TORSION	1	1	1	
14	90508-28018	SPRING, TORSION	1	1	1	
15	90201-10032	WASHER, PLATE	2	2	2	
16	5UM-27311-E0	STAND, SIDE	1	1	1	
17	90506-30005	SPRING, TENSION	1	1	1	
18	90445-217G3	HOSE (L70)	1	1	1	
19	90109-10026	BOLT	1	1	1	
20	90201-10045	WASHER, PLATE	1	1	1	
21	90387-1003G	COLLAR	1	1	1	
22	5UM-27315-E0	LINK, SIDE STAND	1	1	1	
23	90185-10018	NUT, SELF-LOCKING	1	1	1	


5TJP100-H370

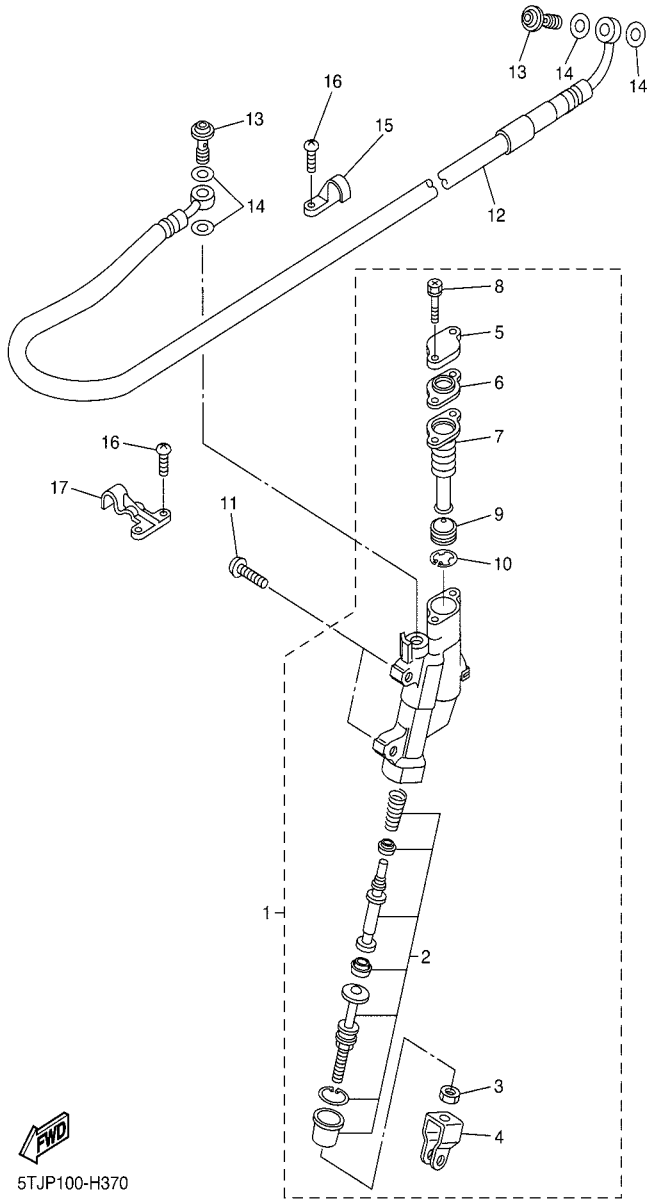
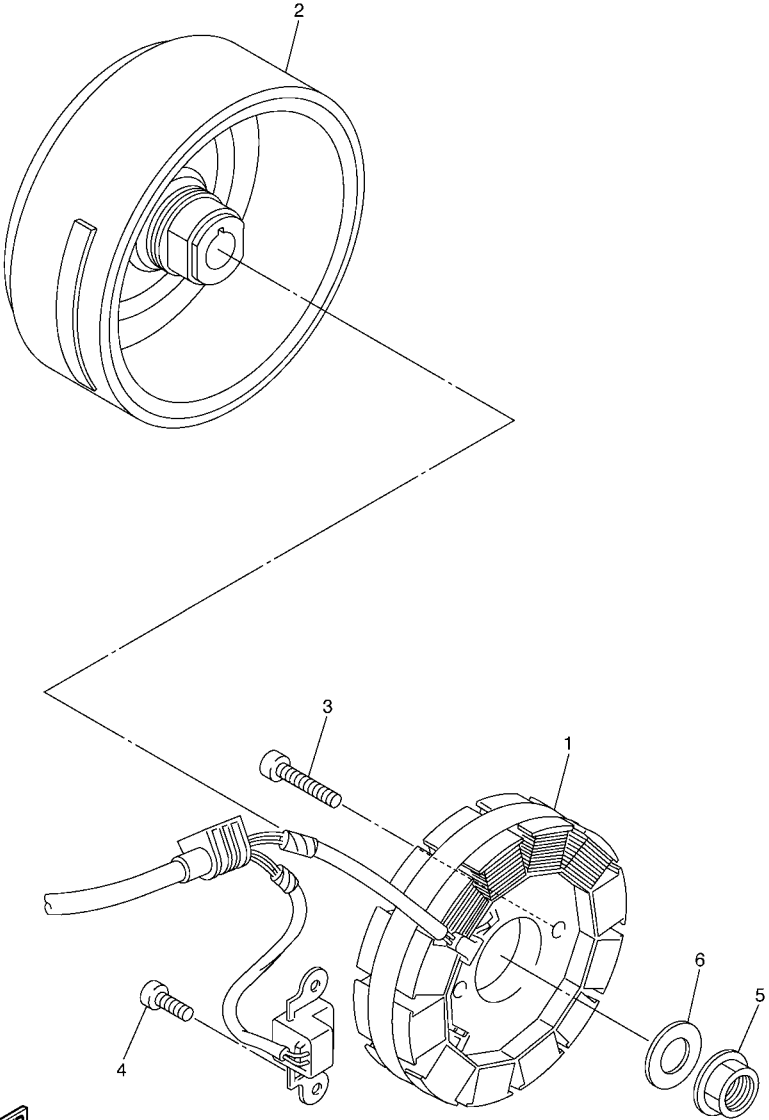


FIG. 37 REAR MASTER CYLINDER

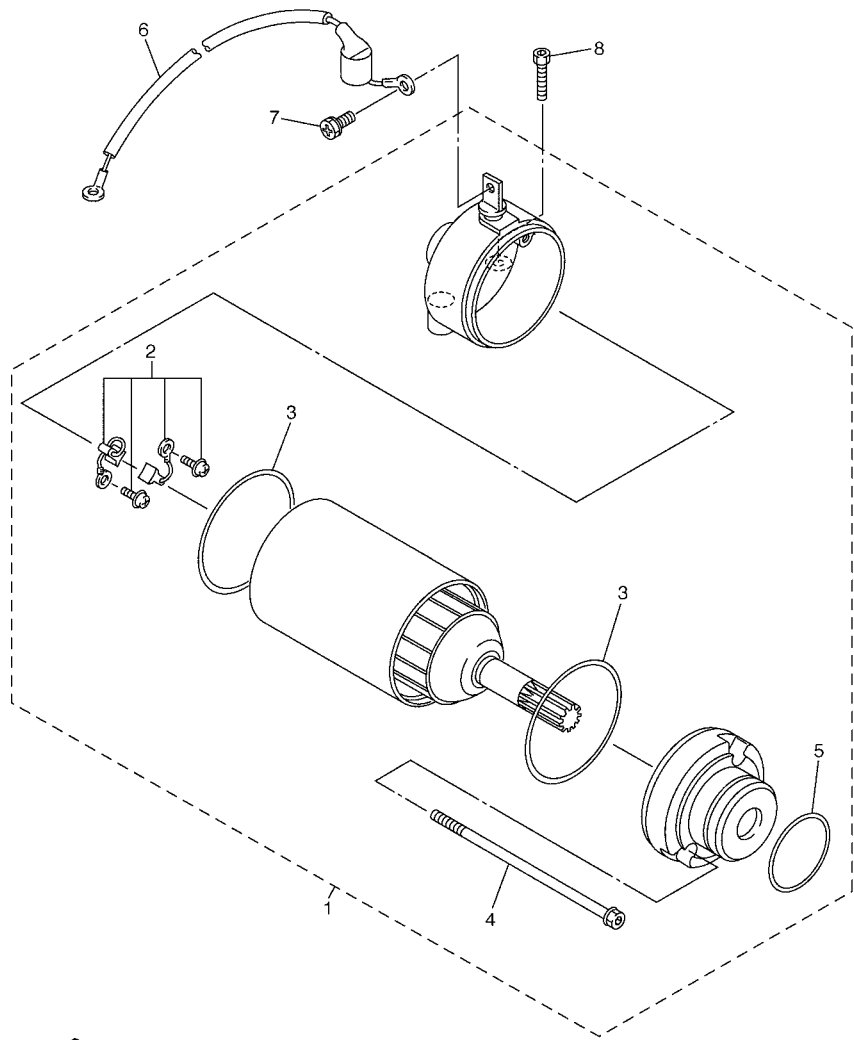
REF. NO.	PART NO.	DESCRIPTION	SUMP	SUMR	SUMS	REMARKS
1	17D-2583V-00	RR. MASTER CYLINDER ASSY.	1	1	1	
2	5UN-W0042-50	.CYLINDER KIT, MASTER	1	1	1	
3	5UN-27218-00	.NUT	1	1	1	
4	5UN-27222-00	.JOINT	1	1	1	
5	5UN-25852-50	.CAP, RESERVOIR	1	1	1	
6	5UN-2585B-00	.PLATE, DIAPHRAGM	1	1	1	
7	5UN-25854-00	.GASKET, DIAPHRAGM	1	1	1	
8	5UN-27217-00	.BOLT	2	2	2	
9	5CG-25715-00	.SEPARATOR ASSY	1	1	1	
10	5CG-2585G-00	.CIRCLIP	1	1	1	
11	90111-06116	BOLT,HEX. SOCKET BUTTON	2	2	2	
12	5XC-25873-L0	HOSE, BRAKE 2	1	1	1	
13	90401-10172	BOLT, UNION	2	2	2	
14	90430-10005	GASKET	4	4	4	
15	1C3-25886-50	HOLDER, BRAKE HOSE	1	1	1	
16	98502-05010	SCREW, PAN HEAD	4	4	4	
17	1C3-25876-50	HOLDER, BRAKE HOSE 2	1	1	1	

FIG. 38 GENERATOR



FWD
5UM5100-C370

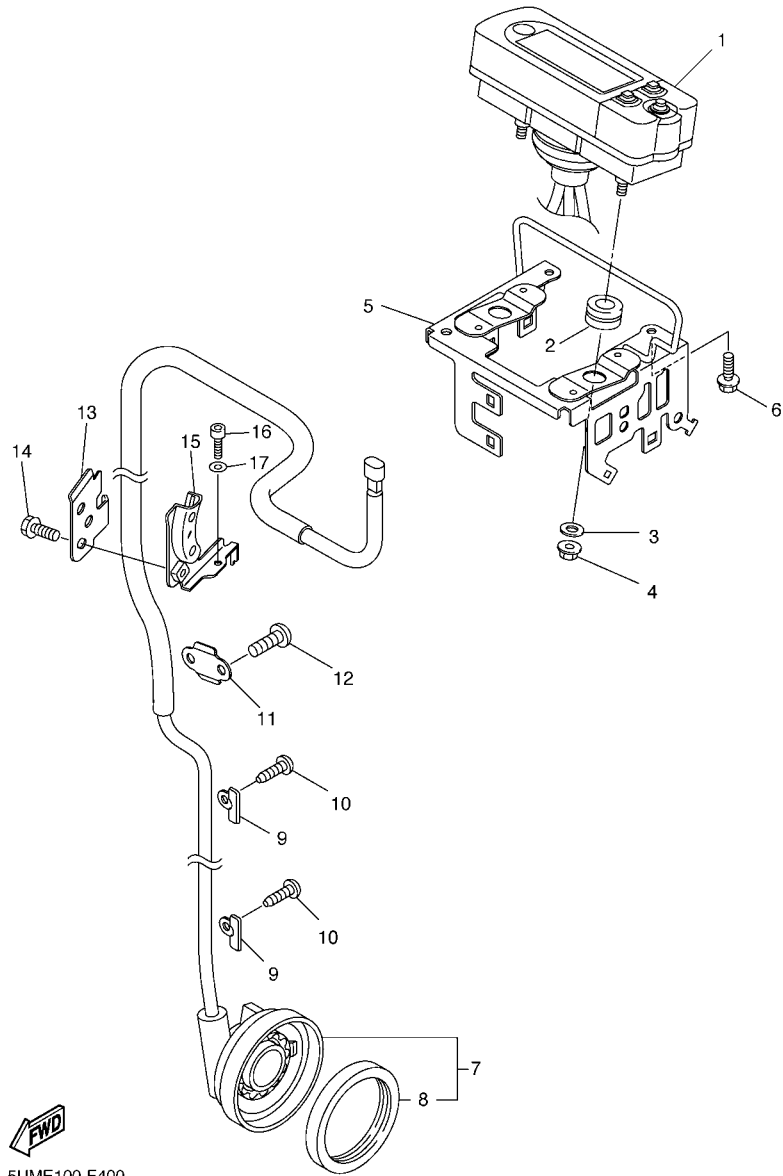
REF. NO.	PART NO.	DESCRIPTION	SUMP	SUMR	SUMS	REMARKS
1	5UM-81410-30	STATOR ASSY	1	1	1	
2	5UM-81450-00	ROTOR ASSY	1	1	1	
3	91312-05020	BOLT	2	2	2	
4	91312-06014	BOLT	2	2	2	
5	90179-12657	NUT	1	1	1	
6	90201-12020	WASHER, PLATE	1	1	1	




5UM5100-C380

FIG. 39 STARTING MOTOR

REF. NO.	PART NO.	DESCRIPTION	SUMP	SUMR	SUMS	REMARKS
1	5UM-81890-10	MOTOR ASSY	1	1	1	
2	5UM-81801-10	.BRUSH SET	1	1	1	
3	5UM-81861-00	.GASKET	2	2	2	
4	5UM-81828-10	.BOLT 2	2	2	2	
5	93210-25711	.O-RING	1	1	1	
6	5UM-8183G-20	CORD COMP.	1	1	1	
7	5TJ-81828-01	BOLT 2	1	1	1	
8	91312-06025	BOLT	2	2	2	



5UME100-F400

FIG. 40 METER

REF. NO.	PART NO.	DESCRIPTION	SUMP	SUMR	SUMS	REMARKS
1	5TJ-83500-F0	SPEEDOMETER ASSY (KM/H)	1	1	1	
	5TJ-83500-G0	SPEEDOMETER ASSY (MPH)		1		FOR GBR
2	90480-14012	GROMMET	2	2	2	
3	90201-05021	WASHER, PLATE	2	2	2	
4	95702-05500	NUT, WITH WASHER	2	2	2	
5	5UM-83519-E0	BRACKET, METER	1	1	1	
6	90105-06110	BOLT, FLANGE	2	2	2	
7	5TJ-83755-C0	SENSOR, SPEED	1	1	1	
8	93105-47007	.OIL SEAL	1	1	1	
9	5TJ-8375F-C0	PLATE 2	2	2	2	
10	97702-40010	SCREW, TAPPING	2	2	2	
11	5TJ-8375E-C0	PLATE 1	1	1	1	
12	92012-05008	BOLT, BUTTON HEAD	2	2	2	
13	5UM-83595-E0	CLAMP	1	1	1	
14	90105-06105	BOLT, FLANGE	1	1	1	
15	5UM-23591-E0	BRACKET 1	1	1	1	
16	92012-06012	BOLT, BUTTON HEAD	1	1	1	
17	92902-06600	WASHER, PLATE	1	1	1	

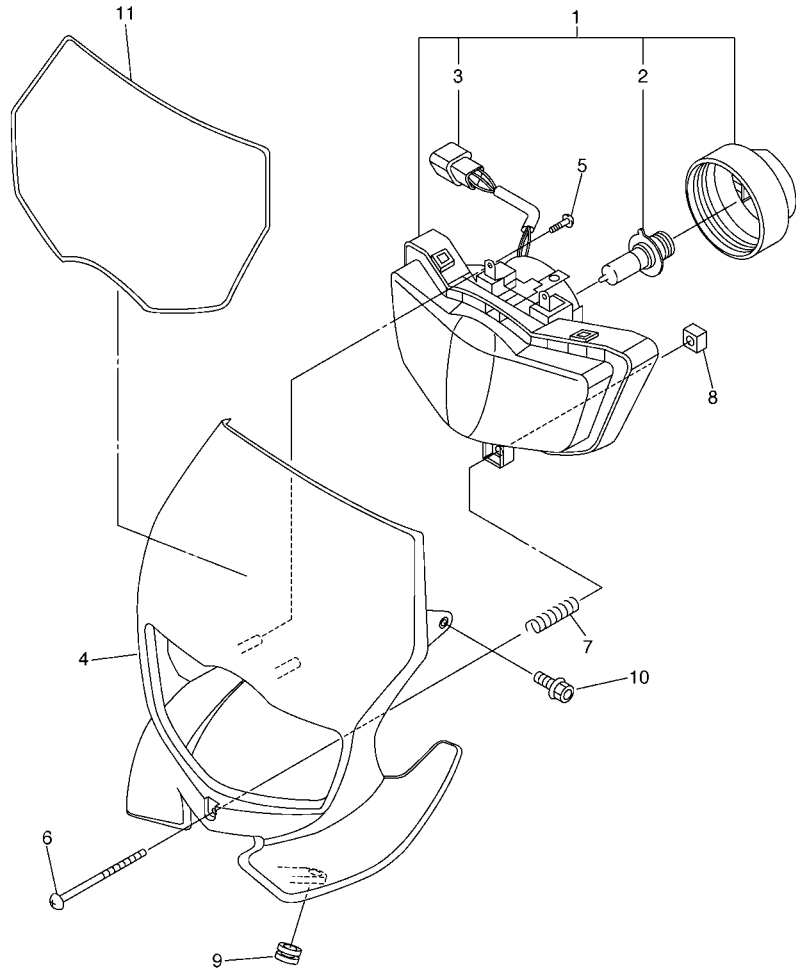


FIG. 41 HEADLIGHT

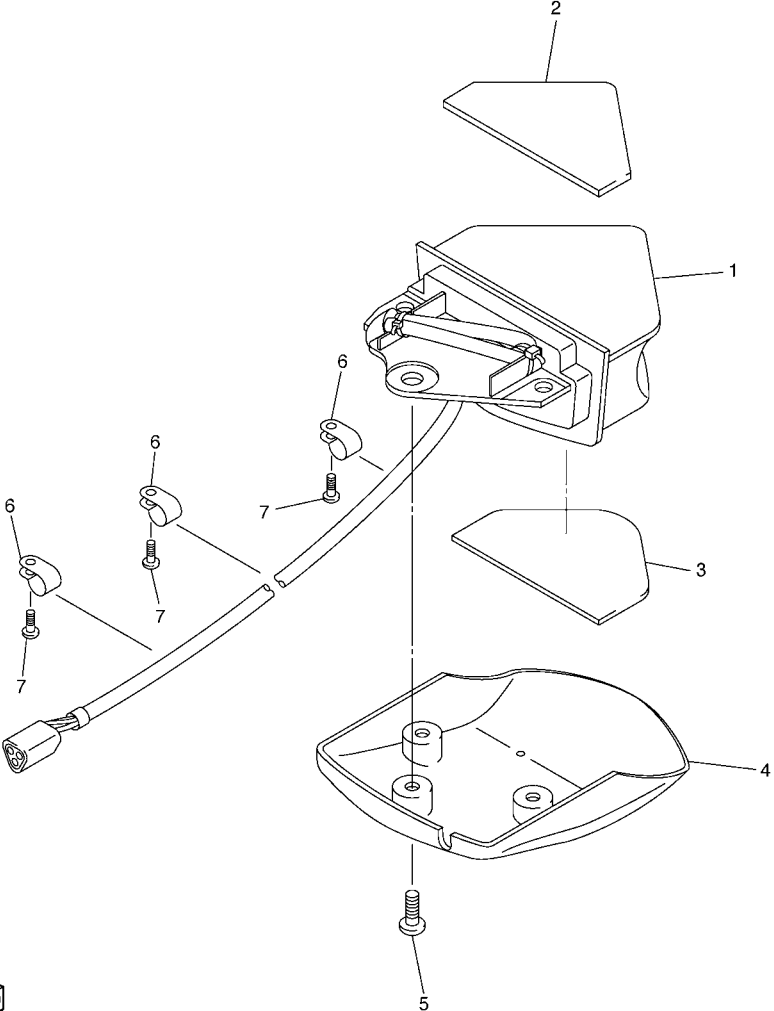
REF. NO.	PART NO.	DESCRIPTION	SUMP	SUMR	SUMS	REMARKS
1	5UM-84310-E1	HEADLIGHT UNIT ASSY	1	1	1	
2	5VM-84314-00	.BULB, HEADLIGHT(12V-35/36.5W)	1	1	1	HALOGEN
3	5UM-84340-E1	.SOCKET CORD ASSY 1	1	1	1	
4	5UM-84330-E0	BODY ASSY	1	1	1	
5	97702-50516	SCREW, TAPPING	2	2	2	
6	90157-04005	SCREW, PAN HEAD	1	1	1	
7	90501-120A3	SPRING, COMPRESSION	1	1	1	
8	5BF-84334-00	NUT, ADJUSTING	1	1	1	
9	90480-12020	GROMMET	2	2	2	
10	90105-06064	BOLT, FLANGE	2	2	2	
11	5TJ-2339E-00	GRAPHIC 1	1	1	1	



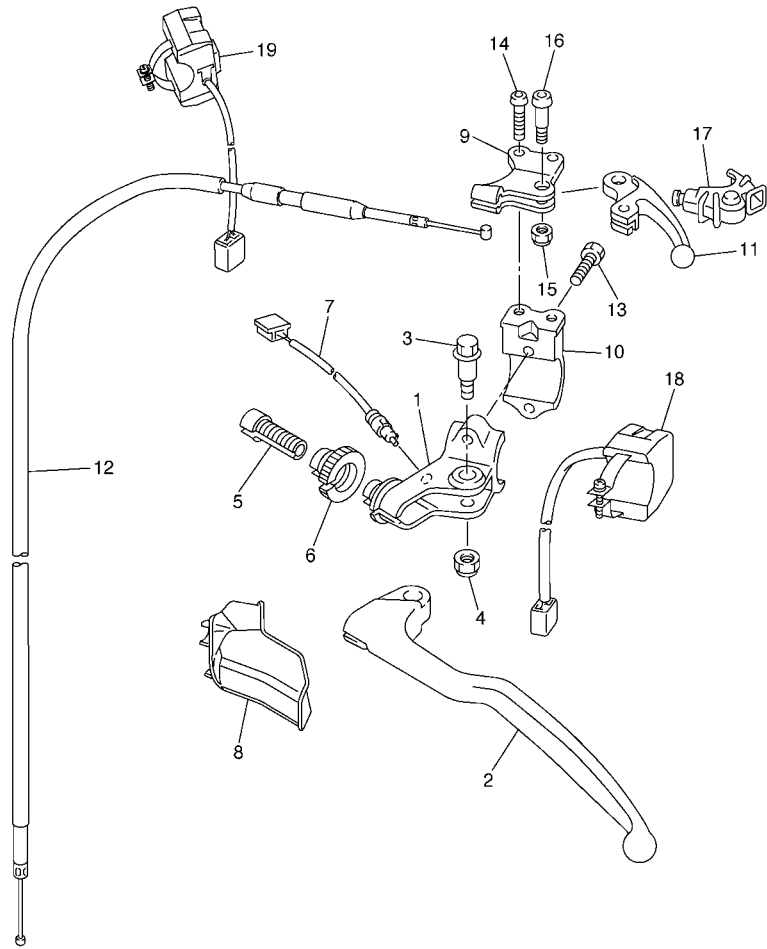
5UME100-F410

FIG. 42 TAILLIGHT

REF. NO.	PART NO.	DESCRIPTION	SUMP	SUMR	SUMS	REMARKS
1	5UM-84710-E0	TAILLIGHT UNIT ASSY	1	1	1	
2	5UM-84736-E0	DAMPER, TAIL 1	1	1	1	
3	5UM-84737-E0	DAMPER, TAIL 2	1	1	1	
4	5UM-84716-E0	COVER, TAILLIGHT	1	1	1	
5	97702-50016	SCREW, TAPPING	3	3	3	
6	90464-11M18	CLAMP	3	3	3	
7	97702-40010	SCREW, TAPPING	3	3	3	



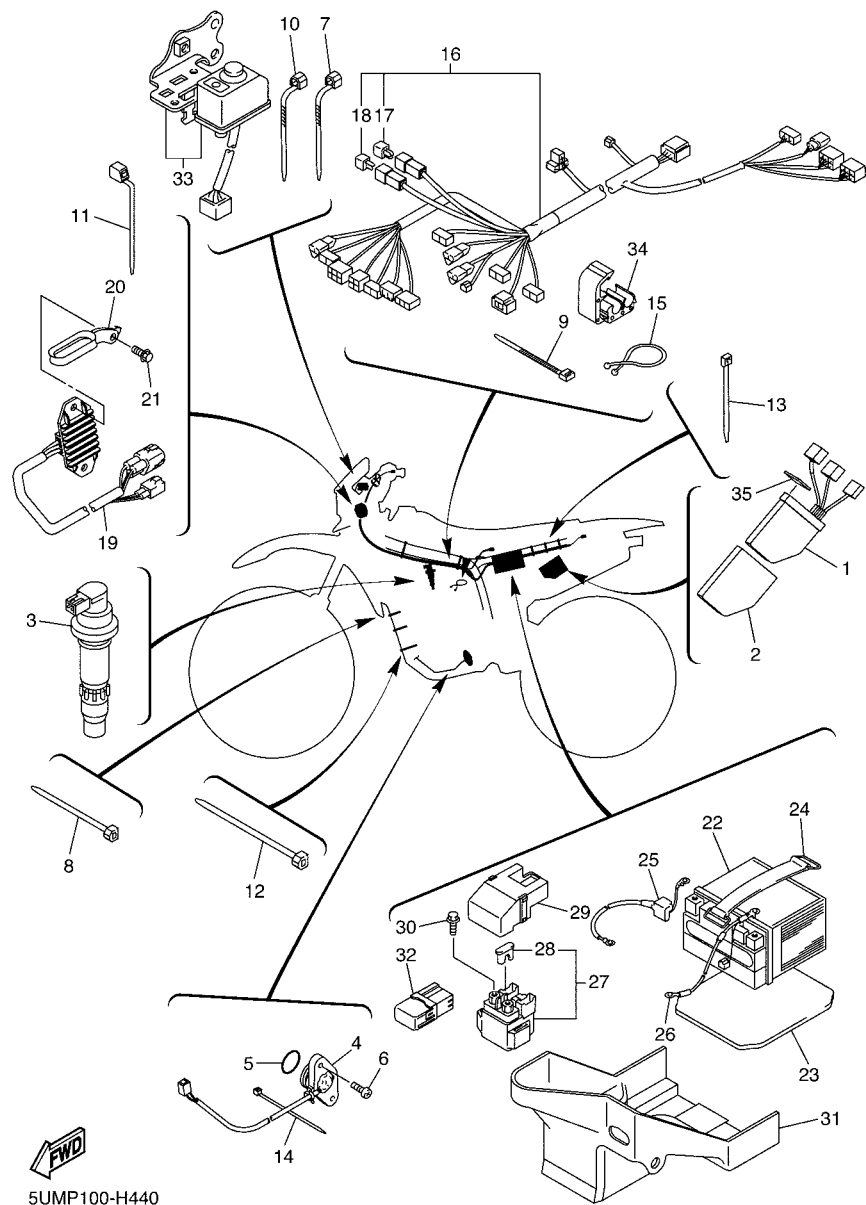
 5UME100-F420



5UME100-F430

FIG. 43 HANDLE SWITCH & LEVER

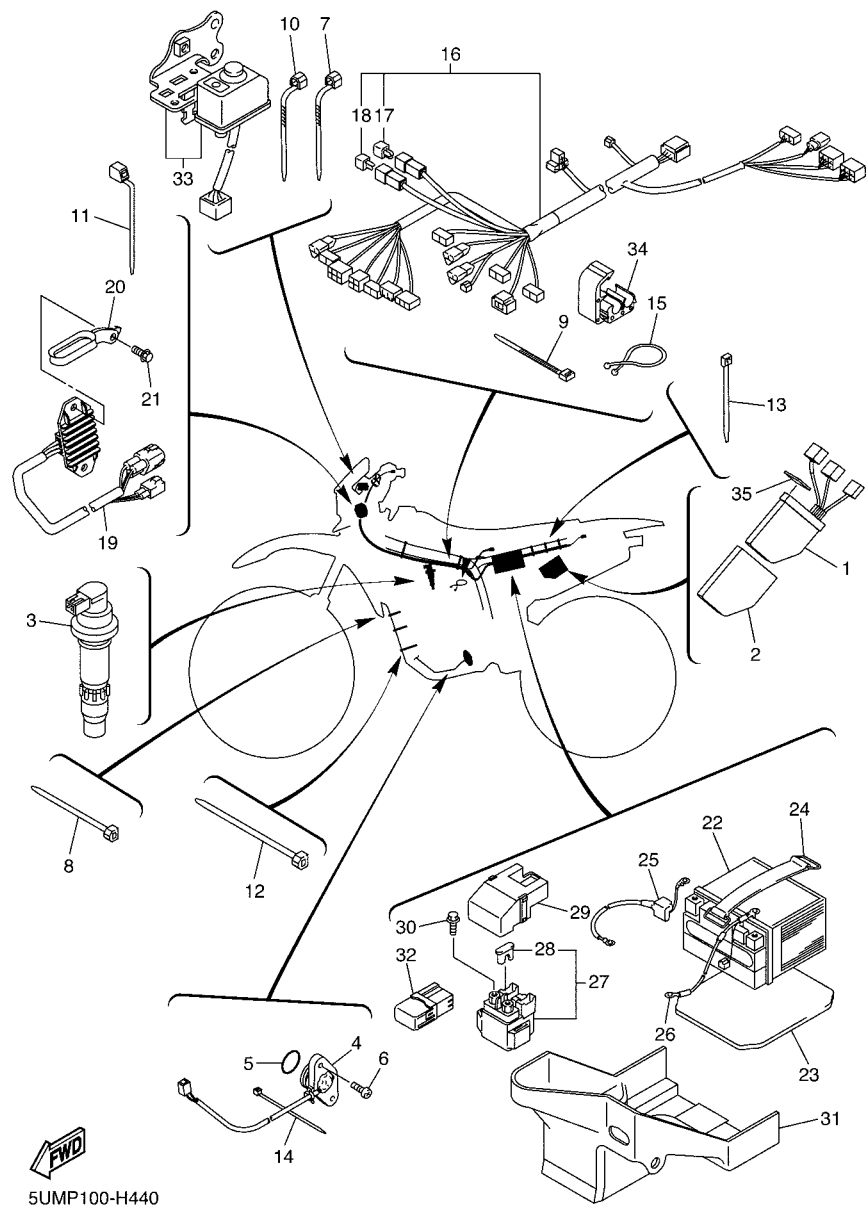
REF. NO.	PART NO.	DESCRIPTION	SUMP	SUMR	SUMS	REMARKS
1	5TJ-82911-80	HOLDER, LEVER 1	1	1	1	
2	5TJ-83912-80	LEVER 1	1	1	1	
3	90109-06034	BOLT	1	1	1	
4	5LP-84126-10	NUT, LENS FITTING	1	1	1	
5	5HD-26337-00	BOLT, ADJUSTING	1	1	1	
6	5HD-83951-00	BOLT, CABLE ADJUSTING	1	1	1	
7	5TJ-82917-02	SWITCH	1	1	1	
8	5TJ-26372-80	COVER, HANDLE LEVER 1	1	1	1	
9	5XD-82946-00	HOLDER, STARTER LEVER	1	1	1	
10	5XD-82913-00	HOLDER, LEVER LOWER 1	1	1	1	
11	5TA-83941-00	LEVER, STARTER	1	1	1	
12	5UM-26334-E0	CABLE, STARTER 2	1	1	1	
13	97002-05016	BOLT	2	2	2	
14	92012-05012	BOLT, BUTTON HEAD	2	2	2	
15	95602-05100	NUT, U	1	1	1	
16	90149-05162	SCREW	1	1	1	
17	5TA-26339-00	BOOT	1	1	1	
18	5UM-83976-E1	SWITCH, ENGINE STOP	1	1	1	
19	5UM-83976-F1	SWITCH, HANDLE 1	1	1	1	



5UMP100-H440

FIG. 44 ELECTRICAL 1

REF. NO.	PART NO.	DESCRIPTION	SUMP	SUMR	SUMS	REMARKS
1	5UM-85540-E0	C.D.I. UNIT ASSY	1			
	5UM-85540-L0	C.D.I. UNIT ASSY		1		
	5UM-85540-F0	C.D.I. UNIT ASSY			1	
2	5UM-85546-E0	BAND	1	1	1	
3	5UL-82310-10	IGNITION COIL ASSY	1	1	1	
4	5TJ-82540-01	NEUTRAL SWITCH ASSY	1	1	1	
5	93210-21001	O-RING	1	1	1	
6	90154-05022	SCREW, BINDING	2	2	2	
7	90464-13077	CLAMP	2	2	2	
8	90464-15152	CLAMP	3	3	3	
9	90465-13275	CLAMP	7	7	7	
10	90464-13073	CLAMP	3	3	3	
11	90464-16061	CLAMP	2	2	2	
12	90464-15195	CLAMP	1	3	3	
13	90465-13152	CLAMP	5	5	5	
14	5Y9-12491-00	CLAMP 1	2	2	2	
15	90464-23041	CLAMP	1	1	1	
16	5TJ-82590-E0	WIRE HARNESS ASSY	1	1		
	5TJ-82590-F0	WIRE HARNESS ASSY			1	
17	5TJ-81980-00	.DIODE ASSY	1	1	1	
18	4WA-81980-00	.DIODE ASSY	1	1	1	
19	5UM-81960-E0	RECTIFIER & REGULATOR ASSY	1	1	1	
20	5UM-21288-E0	GUIDE, CABLE	1	1	1	
21	90105-06110	BOLT, FLANGE	2	2	2	
22	5TJ-82100-01	BATTERY ASSY (YTZ7S)	1	1	1	
23	5UM-82176-E0	DAMPER	1	1	1	
24	8CY-82131-00	BAND, BATTERY	1	1	1	



5UMP100-H440

FIG. 44 ELECTRICAL 1

REF. NO.	PART NO.	DESCRIPTION	SUMP	SUMR	SUMS	REMARKS
25	5TJ-82115-00	WIRE, PLUS LEAD	1	1	1	
26	5UM-82116-E0	WIRE, MINUS LEAD	1	1	1	
27	5TJ-81940-12	STARTER RELAY ASSY	1	1	1	
28	42X-82151-00	.FUSE (10A-BL)	2	2	2	
29	5SL-82119-10	COVER, LEAD WIRE	1	1	1	
30	95022-06008	BOLT, FLANGE	2	2	2	
31	5UM-81952-E0	HOLDER, RELAY	1	1	1	
32	5UM-81950-E0	RELAY ASSY	1	1	1	
33	5UM-82510-E1	MAIN SWITCH ASSY	1	1	1	
34	90464-06004	CLAMP	1	1	1	
35	5UM-8235Y-E0	DAMPER	1	1	1	

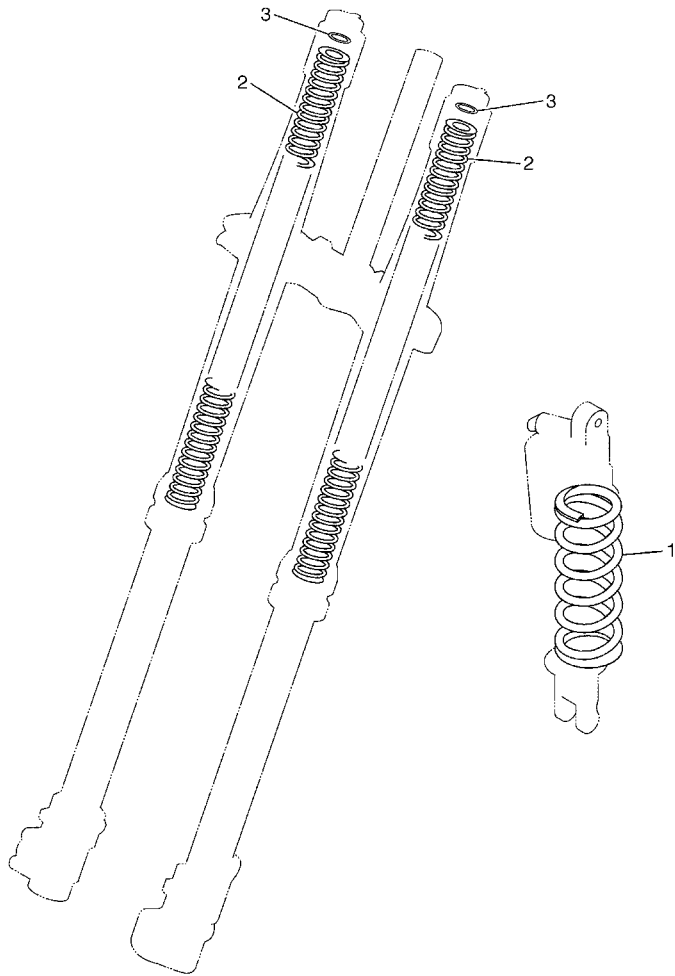


FIG. 45 ALTERNATE FOR CHASSIS

REF. NO.	PART NO.	DESCRIPTION	SUMP	SUMR	SUMS	REMARKS
1	5UN-22212-00	SPRING (K=42N/MM)	1	1	1	AP
	5UN-22212-10	SPRING (K=44N/MM)	1	1	1	AP
	5UN-22212-20	SPRING (K=46N/MM)	1	1	1	AP
	5UN-22212-30	SPRING (K=48N/MM)	1	1	1	AP
	5UN-22212-40	SPRING (K=50N/MM)	1	1	1	AP
	5UN-22212-60	SPRING (K=54N/MM)	1	1	1	AP
	5UN-22212-70	SPRING (K=56N/MM)	1	1	1	AP
2	5TJ-23141-00	SPRING (K=4.0N/MM)	1	1	1	AP
	5TJ-23141-10	SPRING (K=4.1N/MM)	1	1	1	AP
	5TJ-23141-20	SPRING (K=4.2N/MM)	1	1	1	AP
	5TJ-23141-30	SPRING (K=4.3N/MM)	1	1	1	AP
	5TJ-23141-40	SPRING (K=4.4N/MM)	1	1	1	AP
	5TJ-23141-50	SPRING (K=4.5N/MM)	1	1	1	AP
	5TJ-23141-60	SPRING (K=4.6N/MM)	1	1	1	AP
3	5XE-23364-00	COLLAR 2	1	1	1	AP



5XC1100-C390

NUMERICAL INDEX

PART NO.	REF. NO.	PART NO.	REF. NO.	PART NO.	REF. NO.	PART NO.	REF. NO.	PART NO.	REF. NO.	PART NO.	REF. NO.
5UM-11101-10	1 - 1	1HX-12168-M1	3 - 14	5BE-13342-00	7 - 10	5UM-14437-E0	9 - 22	5UM-14916-BR	10 - 12	4JT-1494F-29	10 - 23
5NL-11133-10	1 - 2	1HX-12168-R1	3 - 14	5NL-13411-00	7 - 16	5UM-1443A-E0	9 - 37	5UM-14916-BS	10 - 12	5UM-1494F-30	10 - 19
5NL-11134-10	1 - 3	1HX-12168-U1	3 - 14	5XC-13412-00	7 - 15	5UM-1443B-L0	9 - 29	5UM-14916-BT	10 - 12	4JT-1494F-31	10 - 23
5UM-11166-00	1 - 23	1HX-12168-W1	3 - 14	5XC-13416-90	7 - 32	5BF-1443E-00	9 - 24	5UM-14916-BU	10 - 12	5JG-14951-00	10 - 6
371-11167-01	1 - 22	1HX-12168-Y1	3 - 14	5D3-13440-00	8 - 1	5NY-14442-00	9 - 15	5UM-14916-BV	10 - 12	5GS-14958-00	10 - 65
5NL-11181-00	1 - 17	1HX-12169-11	3 - 14	5BE-13447-20	8 - 2	5UM-14451-E0	9 - 16	5UM-14916-LU	10 - 12	5JG-14959-00	10 - 2
5NL-11191-40	1 - 21	1HX-12169-31	3 - 14	5XC-13464-20	7 - 18	5UM-14453-E0	9 - 12	5UM-14916-RU	10 - 12	5JG-14984-00	10 - 29
5NL-11193-00	1 - 27	1HX-12169-50	3 - 14	5XC-13465-10	7 - 23	5UM-14453-L0	9 - 12	5XC-14922-00	10 - 45	4SR-14985-00	10 - 25
5UM-1119E-00	1 - 26	1HX-12169-70	3 - 14	5XC-13597-30	9 - 1	5NY-14455-20	9 - 14	5GS-14933-00	10 - 66	5TA-14987-00	9 - 7
5XC-11311-10	1 - 28	1HX-12169-90	3 - 14	5UM-14101-E0	10 - 1	5TJ-14458-00	9 - 19	3TJ-14933-40	10 - 34	5TJ-14987-00	10 - 58
5NL-11351-00	1 - 29	1HX-12169-E0	3 - 14	5UM-14101-L0	10 - 1	5TJ-14459-01	9 - 13	5TA-14934-00	10 - 47	5TA-14991-00	10 - 39
5UM-11387-00	1 - 33	1HX-12169-G0	3 - 14	5NL-14105-00	10 - 24	5UM-14462-E0	9 - 26	5GS-14940-00	10 - 64	4FN-14997-00	10 - 11
5UM-11400-30	2 - 1	1HX-12169-J0	3 - 14	4MX-14115-00	10 - 52	5TJ-14475-00	9 - 17	5JG-14940-16	10 - 32	5TA-14997-00	10 - 42
5UM-11412-20	2 - 2	1HX-12169-L0	3 - 14	5TJ-14118-00	10 - 67	5JG-14521-00	10 - 14	5JG-14940-17	10 - 32	5XC-15118-00	14 - 33
5UL-11422-10	2 - 3	1HX-12169-N0	3 - 14	3TJ-14137-40	9 - 8	5JG-14522-00	10 - 7	5JG-14940-18	10 - 32	5UM-15150-21-YX	13 - 1
5NL-11454-00	2 - 13	1HX-12169-T0	3 - 14		10 - 53	5JG-14531-00	10 - 61	5JG-14940-76	10 - 32	3Y1-15361-00	14 - 32
5NL-11455-00	2 - 9	5UM-12170-10	4 - 1	5BE-14146-00	10 - 54	3TJ-14536-40	10 - 33	5TA-14943-15	10 - 22	3Y1-15363-00	14 - 6
5NL-11531-00	2 - 12	5UM-12180-20	4 - 2	5PA-14146-00	10 - 63	5JG-14546-01	10 - 10	4MX-14943-39	10 - 18	5XC-15373-00	14 - 20
5NL-11536-10	2 - 8	5TA-12210-20	4 - 10	5TA-14155-00	10 - 41	676-14548-00	10 - 26		10 - 18	4JT-15381-01	13 - 17
5NL-11603-00	2 - 19	4FM-12213-00	4 - 9	633-14159-00	10 - 28	4MX-14561-00	10 - 51	4MX-14943-40	10 - 18	5BE-15383-01	13 - 13
5NL-11631-20	2 - 18	5BE-12241-00	4 - 12	3TJ-14159-40	10 - 13	6H4-14561-00	10 - 35	4MX-14943-41	10 - 18	5NL-15388-00	13 - 15
5NL-11633-00	2 - 20	5NL-12251-10	4 - 5	5XC-14171-00	10 - 36	5NX-14562-00	10 - 49		10 - 18	5UM-15411-20	14 - 1
5XC-11651-00	2 - 6	5NL-12252-00	4 - 6	3TJ-14191-40	10 - 30	3TJ-14564-40	10 - 44	4MX-14943-42	10 - 18	5NL-15415-30	14 - 26
5XC-11681-00	2 - 4	5UM-1240A-E0	6 - 1	5UG-14196-00	10 - 56	5JG-14565-00	10 - 60	4MX-14943-43	10 - 18	5BE-15421-30	13 - 10
5NL-12111-20	3 - 1	5NL-12422-10	5 - 9	5TA-14197-00	10 - 57	5GS-14591-00	10 - 62	4MX-14943-89	10 - 18	5XC-15431-01	14 - 16
5NL-12112-20	3 - 2	5NL-12439-00	5 - 10	5UM-14197-00	10 - 71	5UM-14591-00	10 - 62	4MX-14943-90	10 - 18	5NL-15441-01	13 - 9
5UM-12113-00	3 - 8	5XC-1244H-90	6 - 22	5NX-14216-00	10 - 50	688-14592-00	10 - 4	4MX-14943-91	10 - 18	5UM-15451-00	14 - 8
5NL-12114-00	3 - 9	5UM-1244J-E0	23 - 26	5TA-14227-00	9 - 5	5UM-14611-10	12 - 1	4MX-14943-92	10 - 18	5NL-15453-10	14 - 31
5NL-12116-00	3 - 4	5DH-12451-00	5 - 4	5TA-14239-00	9 - 6	5NL-14613-00	12 - 6	4MX-14943-93	10 - 18	5NL-15462-00	14 - 21
1HX-12117-00	3 - 10	5XC-12459-00	5 - 1	5TJ-14243-00	10 - 68	5TJ-14623-00	12 - 11	4MX-14943-94	10 - 18	5UM-1549B-20	14 - 13
1WG-12117-00	3 - 12	5UM-12461-E0	6 - 5	5TA-14261-00	10 - 55	5XC-14628-00	12 - 2	5TJ-14947-00	10 - 17	5UM-15515-20	16 - 4
1HX-12118-00	3 - 11	22W-12462-00	6 - 9	5JG-14264-00	10 - 16	5UM-14710-E0	12 - 8	4MX-14948-03	10 - 20	5UM-15517-00	16 - 3
1WG-12118-00	3 - 13	2S2-12464-70	6 - 2	3TJ-14267-40	10 - 9	5PH-14714-00	12 - 15	4MX-14948-04	10 - 20	5UM-15532-00	16 - 10
4SV-12119-00	3 - 7		6 - 6	5JG-14275-00	10 - 15	4KM-14714-01	11 - 3		10 - 20	5UM-15560-10	16 - 1
4TV-12119-00	3 - 6	5XC-12481-90	6 - 14	5TA-14293-00	9 - 4	5BE-14747-00	12 - 16	4MX-14948-05	10 - 20	5UM-15570-00	16 - 8
5NL-12121-10	3 - 3	1C3-12482-00	6 - 19	3TJ-14293-40	10 - 31	4BD-14766-00	12 - 3		10 - 20	5VY-15586-00	16 - 9
3GM-12126-00	3 - 5	5XC-12482-90	6 - 15	5TA-14335-00	10 - 38	5TJ-14780-00	12 - 9	4MX-14948-06	10 - 20	5NL-15601-20	15 - 1
3FV-12153-10	3 - 16	5Y9-12491-00	44 - 14	5JG-14346-00	10 - 59	5TJ-14784-00	12 - 10	4MX-14948-07	10 - 20	5XC-15620-10	15 - 19
3LN-12153-10	3 - 15	5NL-12564-00	14 - 24	5TA-14371-00	10 - 37	5BE-14788-00	12 - 18	4JT-1494F-11	10 - 23	5XC-15621-10	15 - 20
1HX-12168-00	3 - 14	5XC-12576-90	6 - 18	2S2-14374-00	10 - 40	5TJ-14799-00	12 - 13	3TJ-1494F-12	10 - 21	5NL-15641-20	15 - 2
1HX-12168-20	3 - 14	5XC-12578-90	6 - 20	5JG-14379-00	10 - 43	5UM-14803-00	11 - 7	3TJ-1494F-13	10 - 21	5NL-15651-00	15 - 16
1HX-12168-40	3 - 14	5XC-12579-91	6 - 21	2S2-14388-00	10 - 8	5UM-14834-E0	11 - 8	3TJ-1494F-14	10 - 21	5NL-15664-00	15 - 10
1HX-12168-60	3 - 14	583-13113-00	8 - 20	4MX-14392-00	10 - 27	5UM-14871-10	11 - 1	3TJ-1494F-15	10 - 21	5SG-15668-00	15 - 12
1HX-12168-80	3 - 14	5NL-13161-20	8 - 8	5UM-14401-E0	9 - 11	5UM-14881-00	11 - 5	4JT-1494F-15	10 - 23	2S2-15671-00	15 - 5
1HX-12168-A0	3 - 14	5NL-13171-00	8 - 13	5UM-14417-E0	9 - 38	5UM-14882-00	11 - 11	3TJ-1494F-16	10 - 21	214-15686-00	15 - 13
1HX-12168-F0	3 - 14	5SG-13300-01	7 - 1	5TJ-14419-00	9 - 28	5UM-14916-B1	10 - 12	4JT-1494F-19	10 - 23	5NL-16111-01	17 - 1
1HX-12168-H1	3 - 14	5NL-13320-00	7 - 3	5UM-1441A-E0	9 - 30	5UM-14916-BN	10 - 12	4JT-1494F-23	10 - 23	5NL-16150-10	17 - 4
1HX-12168-K1	3 - 14	5NL-13341-00	7 - 11	5UM-1441G-E0	9 - 18	5UM-14916-BP	10 - 12	4JT-1494F-27	10 - 23	5NL-16154-00	17 - 5

NUMERICAL INDEX

PART NO.	REF. NO.	PART NO.	REF. NO.	PART NO.	REF. NO.	PART NO.	REF. NO.	PART NO.	REF. NO.	PART NO.	REF. NO.	PART NO.	REF. NO.
3XJ-16321-00	17 - 12	5UM-21268-E0	21 - 44	5TJ-21757-00	9 - 33	5UN-22898-60	33 - 11	5UM-2316A-F0	27 - 13	5UM-24723-E0	29 - 3		
5DH-16321-00	17 - 7	5XC-21288-90	21 - 42	4XV-2177L-01	9 - 20	1C3-22969-90	24 - 11		27 - 34	5NY-25104-00	30 - 6		
5NL-16325-00	17 - 8	5UM-21288-E0	44 - 20	5UM-21860-E0	23 - 22	5UM-23102-E0	27 - 1	5UM-23170-E0	27 - 10	5TJ-2510C-80	30 - 12		
5NL-16325-10	17 - 15	1C3-2135F-00	24 - 34	26H-21874-00	23 - 24	5UM-23102-F0	27 - 1		27 - 31	5NG-25111-50	30 - 1		
5HD-16351-00	17 - 9	1C3-2139R-00	24 - 35	26H-21875-00	23 - 23	5UM-23103-E0	27 - 22	5XE-23171-L0	27 - 4	5NY-25117-00	30 - 3		
5XC-16356-00	17 - 18	5UM-21417-E0	21 - 32	1C3-22110-90	24 - 1	5UM-23103-F0	27 - 22		27 - 25	1C3-25181-10	30 - 11		
5NL-16357-10	17 - 23	5UM-21418-E0	21 - 33	5XC-22121-91	24 - 30	5TJ-23110-C0	27 - 24	5DH-23183-00	25 - 8	5GS-25304-00	32 - 9		
5NL-16371-00	17 - 6	5UM-21425-E0	21 - 23	1C3-22122-00	24 - 31	5XE-23111-L0	27 - 18	509-23184-L0	25 - 6	5TJ-2530S-80	32 - 19		
5JG-16381-10	17 - 24	5UM-21426-E0	21 - 24	2S2-22128-70	24 - 13		27 - 39	5NY-23188-L0	27 - 14	5ET-25311-00	32 - 1		
5NL-16383-10	17 - 14	5UM-21447-E0	21 - 2	1C3-22141-10	24 - 17	5UM-23113-E0	26 - 5		27 - 35	5ET-25317-00	32 - 2		
4JT-16384-00	17 - 27	1C3-21448-10	21 - 3	2S2-22151-70	24 - 10	5XE-23117-L0	27 - 19	5TJ-2331E-80	26 - 16	4XM-25364-00	32 - 14		
5NL-16384-00	17 - 13	5UM-21455-E0	21 - 41	5UN-22176-00	25 - 13		27 - 40	5UM-23340-L0	27 - 43	1C3-25381-90	32 - 24		
5NL-17121-00	18 - 9	5XC-21456-90	21 - 36	30X-22178-00	21 - 8	5TJ-23120-C0	27 - 3	3SP-23356-L0	27 - 50	1C3-25388-H0	32 - 20		
5UM-17131-00	18 - 6	5UM-2147A-E0	21 - 37	3JD-22178-20	21 - 13	5XE-23125-L0	27 - 5	5XE-23364-00	45 - 3	1C3-25389-H0	32 - 21		
5UM-17141-00	18 - 7	5UM-21485-E0	21 - 40	5XC-2217A-90	24 - 20		27 - 26	5TJ-23389-80	26 - 18	3JE-25394-00	32 - 13		
5UM-17151-00	18 - 3	5UM-21486-E0	21 - 39	5XC-2217F-90	24 - 26	3JD-2312G-L0	27 - 21	5XE-23393-L0	27 - 12	4XM-25394-00	32 - 13		
5PH-17211-00	18 - 21	1C3-21511-51	22 - 1	4V4-22184-00	21 - 9		27 - 42		27 - 33	5SF-25394-00	30 - 10		
5NL-17221-00	18 - 13	3XJ-2151H-A1	22 - 22	5MV-22184-00	25 - 14	5TJ-23136-C0	27 - 2	5TJ-2339E-00	41 - 11	1C3-25447-00	32 - 15		
5UM-17231-00	18 - 17	3XJ-2151H-B1	22 - 23	5UM-22199-E0	24 - 12		27 - 23	4EW-23416-00	26 - 3	1C3-25448-00	32 - 15		
5UM-17241-00	18 - 16	4XL-2153A-10	27 - 47	5UM-22201-20	25 - 2	5TJ-23141-00	45 - 2	5UM-23435-E1	26 - 7	5GS-25448-50	32 - 15		
5UM-17251-00	18 - 20		27 - 49	5UM-22201-F0	25 - 2	5TJ-23141-10	45 - 2	5XC-23441-90	26 - 10	1C3-25449-00	32 - 15		
5NL-17402-00	18 - 12	5UM-2153E-00	22 - 24	5UM-22201-G0	25 - 2	5TJ-23141-20	45 - 2	5UM-23442-E0	26 - 11	1C3-25450-00	32 - 15		
5UM-17411-00	18 - 1	4ES-2153E-01	22 - 4	5UM-22210-20	25 - 1	5TJ-23141-30	45 - 2	5XC-23466-L0	27 - 51		32 - 15		
5NL-17466-00	13 - 12	5PA-21568-01	22 - 25	5UM-22210-F0	25 - 1	5TJ-23141-40	45 - 2	5XC-23467-L0	27 - 52	5TJ-25450-80	32 - 15		
	13 - 12	5UM-21610-E0	22 - 8	5UM-22210-G0	25 - 1	5TJ-23141-50	45 - 2	5TJ-23525-C0	27 - 45		32 - 15		
5UM-17466-00	13 - 12	5XE-21635-10	22 - 9	5UN-22212-00	45 - 1	5TJ-23141-60	45 - 2	5UM-23591-E0	40 - 15	1C3-25451-00	32 - 15		
5NL-17471-10	18 - 29	5TA-21642-00	22 - 17	5UN-22212-10	45 - 1	5TJ-23141-A0	27 - 17	5UM-24110-E1	28 - 1	1C3-25452-00	32 - 15		
5UL-18101-10	20 - 10	5TJ-2165C-10	9 - 40	5UN-22212-20	45 - 1		27 - 38	5TJ-24110-J0	28 - 1	5TJ-25452-80	32 - 15		
5XC-18110-00	20 - 15	3RV-21668-A0	24 - 36	5UN-22212-30	45 - 1	5XE-23142-L0	27 - 11	4EW-2412F-00	28 - 16	5CG-25715-00	35 - 10		
5LP-18122-01	20 - 5	3RV-21668-B0	24 - 37	5UN-22212-40	45 - 1		27 - 32	5XE-24144-00	28 - 6		37 - 9		
3XK-18140-00	19 - 8	5TJ-2167A-10	23 - 2	5UN-22212-50	25 - 17	5XE-23144-L0	27 - 9	3ME-2415E-01	22 - 26	1C3-25718-50	33 - 18		
5BE-18172-00	20 - 3	5TJ-2167B-10	23 - 11	5UN-22212-60	45 - 1		27 - 30	3FB-2415E-02	22 - 5	1C3-2580T-00	31 - 3		
3XJ-18173-10	20 - 2	5UM-21711-E0	23 - 1	5UN-22212-70	45 - 1	1C3-23145-L0	27 - 7	3FB-2415E-12	22 - 6	1C3-2580W-72	33 - 3		
3XJ-18178-00	20 - 9	5UM-21717-E0	23 - 3	3SP-22213-00	25 - 4		27 - 28	3PT-2416E-10	22 - 7	2S2-2581T-70	31 - 1		
3XJ-18182-00	20 - 8	5XC-21719-90	23 - 8	5XE-22214-00	25 - 18	5XE-23146-L0	27 - 6	5UM-24181-E0	28 - 18	5UN-25827-60	33 - 10		
3XJ-18184-00	20 - 7	5UM-21721-E0	23 - 6	5MV-22224-00	25 - 9		27 - 27	5XC-24182-90	28 - 25	5UN-25828-60	33 - 9		
2S2-18185-00	20 - 1	2S2-2172A-70	23 - 17	4JX-22226-00	25 - 7	5NY-23147-L0	27 - 15	5XC-24183-90	28 - 26	2S2-2582W-70	33 - 1		
5NL-18501-00	19 - 5	2S2-2172A-80	23 - 21	3SP-22234-00	25 - 3		27 - 36	3JD-24186-00	28 - 11	5MV-25833-00	35 - 16		
5NL-18502-00	19 - 6	5UM-2172S-E0	23 - 9	5NY-22241-00	25 - 22	1C3-2314F-M0	27 - 20	5UM-2419A-E0	28 - 12	17D-2583V-00	37 - 1		
5NL-18503-00	19 - 7	5UM-21730-E0	23 - 14	5XE-22242-00	25 - 19		27 - 41	5UM-24311-E0	28 - 21	5DH-25849-00	31 - 15		
5NL-18541-00	19 - 1	5UM-2173L-10	23 - 15	5MV-22253-00	25 - 15	5XE-23153-L0	27 - 8	5UM-24311-J0	28 - 21	5MV-25852-01	35 - 8		
4UN-18542-00	19 - 4	5UM-2173S-E0	23 - 10	1C3-22253-50	25 - 10		27 - 29	5XC-24339-90	28 - 14	5UN-25852-50	37 - 5		
5DH-18562-00	13 - 19	5UM-21740-E0	23 - 18	4AA-22259-40	25 - 5	4SS-23158-L0	27 - 16	3XJ-24380-00	28 - 4	5XE-25853-00	35 - 11		
5UM-21101-E0	21 - 1	5UM-2174A-E0	23 - 7	4AA-22259-60	25 - 5		27 - 37	5UM-24500-E0	28 - 19	5UN-25854-00	37 - 7		
5PA-2118K-00	22 - 20	5UM-2174L-10	23 - 19	1P8-22355-00	24 - 3	1C3-2315H-10	27 - 48	1P6-24512-00	28 - 20	5XE-25854-00	35 - 7		
5PA-2118K-10	22 - 21	5UM-2174T-E0	22 - 10	4EW-22474-00	25 - 12	5TJ-2315J-C0	27 - 46	5NY-24610-00	28 - 2	5UN-2585B-00	37 - 6		
5UM-21190-E0	21 - 5	5XC-21751-90	7 - 31	3JE-22475-00	25 - 11	5TJ-2316A-E0	27 - 13	5UM-2470F-E0	29 - 2	5CG-2585G-00	37 - 10		
1C3-21244-10	28 - 28	2TK-21757-00	9 - 32	5NY-22475-00	25 - 16		27 - 34	5UM-24710-E0	29 - 1	5MV-25867-00	35 - 15		

NUMERICAL INDEX

PART NO.	REF. NO.	PART NO.	REF. NO.	PART NO.	REF. NO.	PART NO.	REF. NO.	PART NO.	REF. NO.	PART NO.	REF. NO.
5NY-25868-00	35 - 6	5TA-2814F-00	21 - 46	5UM-83976-F1	43 - 19	90105-06105	40 - 14	90119-08095	23 - 5	90201-08061	12 - 21
5TJ-25872-80	35 - 1	5ET-28166-10	21 - 45	5LP-84126-10	43 - 4	90105-06106	22 - 14		23 - 13	90201-080H1	17 - 20
5XC-25873-L0	37 - 12	5UM-2831V-E0	26 - 15	5UM-84310-E1	41 - 1	90105-06107	11 - 9	90149-05162	43 - 16	90201-082A6	7 - 36
1C3-25875-50	31 - 17	3FV-28386-00	9 - 31	5VM-84314-00	41 - 2		26 - 19	90149-06074	13 - 18	90201-08410	10 - 46
1C3-25876-50	37 - 17	5UM-81410-30	38 - 1	5UM-84330-E0	41 - 4		28 - 8	90149-06084	2 - 14	90201-08512	5 - 2
1C3-25886-50	37 - 15	5UM-81450-00	38 - 2	5BF-84334-00	41 - 8		33 - 21	90149-06108	28 - 24		5 - 5
5MV-2589F-00	35 - 13	5UM-81528-00	14 - 35	5UM-84340-E1	41 - 3	90105-06108	33 - 2	90149-10031	21 - 4	90201-096J9	1 - 20
5UN-25914-00	33 - 16	5UM-81801-10	39 - 2	5UM-84710-E0	42 - 1	90105-06110	33 - 19	90151-04003	24 - 2	90201-10032	36 - 15
5DH-25914-50	33 - 14	5TJ-81828-01	39 - 7	5UM-84716-E0	42 - 4		40 - 6	90151-06044	13 - 14	90201-10045	21 - 21
3SP-25914-51	31 - 12	5UM-81828-10	39 - 4	5UM-84736-E0	42 - 2		44 - 21	90151-06051	31 - 2		21 - 27
5DH-25916-00	31 - 10	5UM-8183G-20	39 - 6	5UM-84737-E0	42 - 3	90105-06111	6 - 12	90152-06010	15 - 23		21 - 31
	33 - 13	5UM-81861-00	39 - 3	5UM-85540-E0	44 - 1		28 - 9	90154-05022	44 - 6		36 - 20
3JD-25917-00	31 - 13	5UM-81890-10	39 - 1	5UM-85540-F0	44 - 1		33 - 22	90157-04005	41 - 6	90201-104R2	16 - 2
	33 - 15	5TJ-81940-12	44 - 27	5UM-85540-L0	44 - 1	90105-06112	7 - 42	90159-06092	17 - 11	90201-12020	38 - 6
5DH-25919-00	31 - 6	5UM-81950-E0	44 - 32	5UM-85546-E0	44 - 2	90105-06127	22 - 11	90170-14171	2 - 16	90201-12166	7 - 13
5DH-25919-50	33 - 6	5UM-81952-E0	44 - 31	5XC-85885-00	10 - 48	90105-06128	7 - 37	90170-16326	17 - 17	90201-12790	1 - 16
8CR-25924-00	33 - 12	5UM-81960-E0	44 - 19	5NY-W0041-00	35 - 5	90105-08133	21 - 16	90170-16326	26 - 8	90201-14020	24 - 32
3SP-25926-51	31 - 11	4WA-81980-00	44 - 18	5UN-W0042-50	37 - 2	90105-08134	27 - 44	90179-06028	24 - 15	90201-15701	14 - 18
5DH-25933-00	31 - 9	5TJ-81980-00	44 - 17	5MV-W0045-01	31 - 8	90105-08137	12 - 20	90179-08019	32 - 23	90201-16018	24 - 19
1UY-25937-51	31 - 14	5TJ-82100-01	44 - 22	1C3-W0046-B0	33 - 8		31 - 16	90179-10658	21 - 20	90201-162H4	15 - 11
	33 - 17	5TJ-82115-00	44 - 25	3JD-W0047-00	31 - 5	90105-08143	21 - 34		21 - 30	90201-167P7	15 - 7
5XC-26111-L0	34 - 1	5UM-82116-E0	44 - 26	5UN-W0047-50	33 - 5	90105-08147	21 - 26	90179-12657	38 - 5	90201-177G4	15 - 17
5XC-26124-90	34 - 11	5SL-82119-10	44 - 29	1UY-W0048-50	31 - 7	90105-08150	21 - 22	90179-16011	30 - 13	90201-20020	32 - 26
5XC-26143-L0	34 - 12	8CY-82131-00	44 - 24		33 - 7	90105-08151	7 - 35	90179-18001	17 - 3	90201-20021	16 - 5
5TJ-26240-C0	34 - 3	42X-82151-00	44 - 28	5UN-W0057-00	31 - 4	90105-08154	26 - 14		18 - 28	90201-203L1	16 - 6
4GY-26241-00	34 - 2	5UM-82176-E0	44 - 23	5UN-W0057-50	33 - 4	90105-08156	21 - 6	90179-28013	26 - 4	90201-20685	15 - 3
5BE-26281-00	34 - 4	5UL-82310-10	44 - 3	5XE-W2587-10	35 - 4	90105-08307	12 - 19	90183-060A6	6 - 4	90201-21014	24 - 25
5BE-26282-00	34 - 5	5UM-8235Y-E0	44 - 35	90101-06041	20 - 4		21 - 7		6 - 8	90201-24016	26 - 9
5SF-26287-10	34 - 7	5UM-82510-E1	44 - 33	90101-06044	15 - 14	90105-09002	1 - 19	90185-08008	32 - 17	90201-286K9	26 - 6
5UM-26302-E0	34 - 8	5TJ-82540-01	44 - 4	90101-08006	32 - 22	90105-09004	1 - 18	90185-08009	21 - 17	90202-05193	28 - 23
5UM-26334-E0	43 - 12	5TJ-82590-E0	44 - 16	90105-05014	21 - 43	90105-10174	21 - 19	90185-10012	25 - 23	90202-08045	10 - 5
5UM-26335-E0	34 - 9	5TJ-82590-F0	44 - 16	90105-05016	26 - 17	90105-10176	21 - 29	90185-10018	36 - 23	90206-06090	12 - 5
5HD-26337-00	43 - 5	5TJ-82911-80	43 - 1	90105-06027	1 - 8	90105-10191	21 - 25	90185-14010	24 - 33	90209-16011	24 - 24
5TA-26339-00	43 - 17	5XD-82913-00	43 - 10	90105-06064	23 - 16	90109-06034	43 - 3	90185-16002	24 - 18	90209-20008	18 - 4
1C3-26342-50	34 - 10	5TJ-82917-02	43 - 7		23 - 20	90109-060E9	11 - 4	90185-20002	32 - 25		18 - 18
5NY-26372-00	35 - 17	5XD-82946-00	43 - 9		41 - 10	90109-06193	19 - 10	90201-05021	40 - 3	90209-23012	18 - 14
5TJ-26372-80	43 - 8	5TJ-83500-F0	40 - 1	90105-06081	13 - 16	90109-06245	9 - 41	90201-06032	22 - 13	90215-14204	2 - 15
5XC-27200-A0	36 - 1	5TJ-83500-G0	40 - 1		13 - 20	90109-08078	32 - 16	90201-06084	22 - 18	90215-16289	17 - 16
5UN-27217-00	37 - 8	5UM-83519-E0	40 - 5		18 - 30	90109-10026	36 - 19	90201-06570	28 - 10	90215-20003	17 - 2
5XC-27217-90	36 - 2	5UM-83595-E0	40 - 13	90105-06094	14 - 34	90110-05038	9 - 9	90201-06571	6 - 13		18 - 27
5UN-27218-00	37 - 3	5TJ-83755-C0	40 - 7	90105-06098	14 - 29	90110-05041	12 - 12		7 - 41	90240-08120	36 - 6
5UN-27222-00	37 - 4	5TJ-8375E-C0	40 - 11	90105-06100	22 - 12	90110-06228	8 - 5		22 - 15	90240-10004	36 - 11
5UM-27311-E0	36 - 16	5TJ-8375F-C0	40 - 9	90105-06103	23 - 4	90110-08051	15 - 26	90201-06630	7 - 38	90249-05004	9 - 35
5UM-27315-E0	36 - 22	5TJ-83912-80	43 - 2		23 - 12	90111-06116	37 - 11	90201-08043	21 - 18	90249-05005	9 - 34
5XC-27411-M1	36 - 9	1C3-83922-50	35 - 12	90105-06104	24 - 14	90116-06038	1 - 12	90201-08044	36 - 7	90280-03006	2 - 11
5XC-27421-M1	36 - 10	5TA-83941-00	43 - 11	90105-06105	11 - 10	90119-06146	23 - 25	90201-08045	21 - 10	90338-07043	9 - 21
1C3-27491-50	33 - 20	5HD-83951-00	43 - 6		24 - 16	90119-06147	22 - 3	90201-08048	15 - 25	90340-12007	1 - 9
5XC-28116-00	21 - 47	5UM-83976-E1	43 - 18		31 - 18	90119-06166	21 - 38		32 - 18		1 - 15

NUMERICAL INDEX

PART NO.	REF. NO.	PART NO.	REF. NO.	PART NO.	REF. NO.	PART NO.	REF. NO.	PART NO.	REF. NO.	PART NO.	REF. NO.
90340-14015	14 - 4	90464-11M18	42 - 6	91312-06025	7 - 6	93210-07135	8 - 4	93420-16086	2 - 21	95022-06030	14 - 11
90340-27004	14 - 2	90464-13073	44 - 10		8 - 7	93210-09008	8 - 15	93440-07149	1 - 5	95022-06035	1 - 32
90387-06009	22 - 16	90464-13077	44 - 7		9 - 2	93210-09754	7 - 28	93440-07182	5 - 3		14 - 23
90387-06065	6 - 11	90464-15152	44 - 8		16 - 12	93210-10197	7 - 8		17 - 21		14 - 28
	28 - 15	90464-15195	44 - 12		39 - 8		7 - 19	93440-10153	1 - 4	95022-06040	14 - 10
90387-06090	22 - 2	90464-16061	44 - 11	91312-06045	13 - 3		7 - 25		7 - 4	95022-06065	5 - 14
	28 - 13	90464-23041	44 - 15	91312-06055	13 - 4		13 - 21	93440-41178	4 - 3	95022-08040	21 - 12
90387-06104	26 - 20	90465-10013	13 - 25	91312-06065	8 - 6	93210-11073	36 - 3	93503-08007	8 - 19	95022-10016	13 - 7
90387-06150	7 - 40	90465-13152	44 - 13	91312-06070	13 - 5	93210-12759	8 - 16	93507-32009	15 - 22	95602-05100	43 - 15
90387-06161	7 - 44	90465-13275	28 - 27	91312-06100	13 - 6	93210-14369	7 - 33	93511-32027	17 - 22	95602-10200	25 - 20
90387-08041	21 - 11		44 - 9	91312-06110	14 - 12		14 - 5	93603-16219	7 - 2		26 - 13
90387-08081	12 - 17	90467-07138	11 - 15	91316-04012	10 - 3	93210-15414	6 - 16	93604-10011	5 - 11	95612-08620	1 - 13
90387-086N4	21 - 15	90467-09006	11 - 16	91317-06030	7 - 7	93210-16716	14 - 25	93608-33002	20 - 13	95701-06500	35 - 14
90387-1003G	36 - 21	90467-090A2	6 - 27	91402-20012	36 - 4	93210-17570	15 - 24	93612-16254	1 - 31	95702-05500	40 - 4
90387-124F4	20 - 11		23 - 27	91402-25015	36 - 12	93210-19123	14 - 7		13 - 2	95702-06500	1 - 30
90387-14009	24 - 29	90467-100A1	28 - 22	91808-16023	1 - 6	93210-196A4	18 - 23	9383B-13218	18 - 26		27 - 53
90387-16025	24 - 23	90467-140A4	1 - 24		1 - 7	93210-21001	44 - 5		18 - 26	95702-08500	12 - 7
90387-18004	24 - 9		11 - 12	91812-16001	14 - 22	93210-25711	39 - 5	9383B-14222	18 - 26	97002-05016	43 - 13
90387-18007	13 - 23	90467-16063	11 - 6	91A20-05140	6 - 26	93210-27370	14 - 3	94108-21015	30 - 7	97022-06016	4 - 7
90387-18012	24 - 8	90467-17089	1 - 25	92012-05008	12 - 14	93210-47675	8 - 3	94109-21009	30 - 7	97702-40010	40 - 10
90387-20006	18 - 8		9 - 25		40 - 12	93210-60426	14 - 14	94110-18009	32 - 10		42 - 7
90387-22001	18 - 24		11 - 13	92012-05012	43 - 14	93300-60839	21 - 14	94113-18015	32 - 10	97702-50016	42 - 5
90401-08006	8 - 11	90468-16001	36 - 8	92012-06010	6 - 3	93306-00105	5 - 8	94211-18176	32 - 11	97702-50516	9 - 23
90401-10015	8 - 9	90480-10289	7 - 39		6 - 7	93306-00317	18 - 22	94213-18012	32 - 11		9 - 27
90401-10172	35 - 3	90480-12020	41 - 9	92012-06012	40 - 16	93306-00320	18 - 10	94227-21101	30 - 8		9 - 39
	37 - 13	90480-14012	40 - 2	92902-04100	10 - 70	93306-07202	32 - 4	94309-18146	32 - 12		41 - 5
90430-06014	1 - 11	90480-14433	7 - 43	92902-06600	4 - 8	93306-20335	2 - 10	94309-21161	30 - 9	97702-60016	22 - 19
	5 - 12	90480-15528	6 - 10		40 - 17	93306-20447	18 - 2	94416-21005	30 - 5	98502-04010	10 - 69
90430-08119	8 - 12	90480-18549	28 - 7	92902-08200	21 - 28	93306-20648	2 - 7	94418-18006	32 - 8	98502-05010	37 - 16
90430-10005	35 - 2	90501-043E0	8 - 18		21 - 35	93306-27208	18 - 11	94421-18005	32 - 8	98502-05020	34 - 6
	37 - 14	90501-052G5	20 - 6	92902-10200	25 - 21	93306-27212	32 - 3	94591-53114	4 - 4	98502-06025	13 - 11
90430-10188	8 - 10	90501-06022	19 - 3		26 - 12	93306-90409	30 - 2	94681-76021	32 - 28	98702-06025	28 - 17
	13 - 8	90501-120A3	41 - 7	93101-14164	14 - 17	93306-90509	19 - 2	94701-00410	1 - 14	98706-04012	35 - 9
90445-08027	11 - 14	90501-147A5	15 - 21	93102-12106	5 - 7	93310-42057	16 - 7	94701-00411	1 - 14	98980-06008	12 - 4
90445-09027	28 - 3	90501-160A2	15 - 6	93102-12224	17 - 26	93310-63238	2 - 5	95022-06008	44 - 30	99001-08600	7 - 12
90445-09220	28 - 3	90501-220A0	17 - 10		20 - 14	93311-32261	2 - 17	95022-06010	1 - 10	99002-04600	9 - 36
90445-09251	28 - 5	90506-16007	36 - 5	93102-18278	15 - 15	93315-32166	24 - 21		17 - 28	99009-12400	7 - 14
90445-14010	7 - 29	90506-30005	36 - 17	93102-26468	30 - 4	93315-32269	24 - 27	95022-06012	5 - 15	99009-16400	15 - 8
90445-217G3	36 - 18	90508-26561	19 - 9	93102-28010	18 - 25	93317-11287	17 - 25		8 - 17	99009-17400	15 - 18
90450-17001	7 - 30	90508-28015	36 - 13	93105-47007	40 - 8	93317-22262	24 - 4	95022-06016	7 - 27	99009-22500	14 - 19
90450-20078	11 - 2	90508-28018	36 - 14	93106-22002	24 - 6	93332-00068	26 - 2		14 - 15	99009-45500	32 - 7
90450-22001	6 - 24	90508-291A8	20 - 12	93106-30001	32 - 5	93332-00081	26 - 1	95022-06020	20 - 16	99530-08012	7 - 5
	7 - 22	90508-30743	15 - 9	93106-30045	32 - 6	93340-21008	17 - 19	95022-06025	4 - 11		16 - 11
90450-25001	6 - 23	91312-05012	14 - 36	93109-11073	5 - 6	93342-22217	24 - 5		5 - 13	99530-08016	14 - 9
90450-32003	6 - 25	91312-05020	38 - 3	93109-22019	24 - 28	93410-20038	15 - 4		7 - 17		14 - 30
90450-57010	9 - 3	91312-06012	6 - 17	93109-25001	24 - 22	93410-22039	18 - 5		7 - 21	99530-10114	7 - 9
90450-61002	9 - 10	91312-06014	38 - 4	93109-28043	24 - 7		18 - 19		7 - 24		7 - 20
90464-06004	44 - 34	91312-06016	7 - 34	93210-07003	8 - 14	93410-26067	18 - 15		14 - 27		7 - 26

NUMERICAL INDEX

PART NO.	REF. NO.	PART NO.	REF. NO.	PART NO.	REF. NO.	PART NO.	REF. NO.	PART NO.	REF. NO.
99530-10114	13 - 22								
99530-10116	13 - 24								
9Y58A-76113	32 - 27								