



YAMAHA

PARTS CATALOGUE

PW50 (3PT6)

EUROPE

L13PT-300E1

A2

CONTENTS

ENGINE

Cylinder	B2
Crankshaft · Piston	B3
Oil Pump	B4
Intake	B5
Carburetor	B6
Exhaust	B7
Crankcase	B8
Starter	B9
Clutch	B10
Transmission	B11

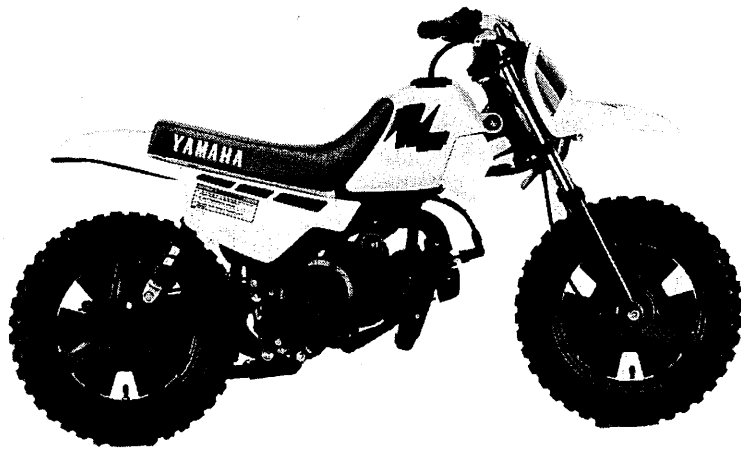
CHASSIS

Frame	B12
Front Fender	B13
Side Cover	B14
Oil Tank	B15
Rear Arm · Suspension	C2
Drive Shaft	C3

Front Fork	C4
Fuel Tank	C5
Seat	C6
Front Wheel	C7
Rear Wheel	C8
Steering Handle · Cable	C9
Stand · Footrest	C10
Generator	C11
Handle Switch · Lever	C12
Electrical 1	C13

INDEX

NUMERICAL INDEX	M1 ~ M2
-----------------------	---------



A3

FOREWORD

This Parts Catalogue is related to the parts in use for the Yamaha PW50 (3PT6). When you are ordering replacement parts for the PW50 (3PT6), refer to this Parts Catalogue and quote both part numbers and part names correctly.

1. Modifications or additions which have been made after issue of the Parts Catalogue will be announced in the Yamaha Parts News.

It is advisable that according to the Yamaha Parts News you make necessary corrections to the Parts Catalogue on hand to keep it up-to-date.

2. Abbreviations

The following abbreviations are used in this Parts Catalogue.

- U.R. Use size (thickness) and/or number as required.
- U.N. Use as many as you need.
- A.P. Alternate Parts
- L.M. Local Made
- F# Frame No. (Applicable machine No.)

3. The parts marked with (*) in the parts number column of this Catalogue are not supplied with by Yamaha, those have to be found locally.

4. Parts, which are to be supplied in the form of assemblies, are listed with an indentation of one letter's space, and a dot (.) is put against the name of each part.

EXAMPLE CARBURETOR ASS'Y
 .JET, pilot
 .NOZZLE, main

5. Indication of No. of constituent parts for assembly

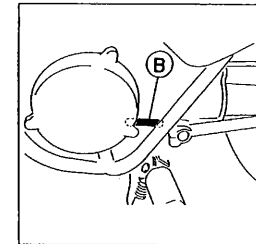
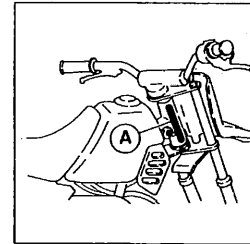
The numeral appearing to the right of each constituent part under the description indicates the quantity of such parts for each individual assembly unit.

EXAMPLE

Part No.	Description	Q'ty	Remarks
2F5-83310-60	FRONT FLASHER LIGHT ASS'Y	2	
115-83311-60	.BULB (6V-18W)	1	
1M1-83309-60	.REFLECTOR	1	

6. Initial Serial No. and Color Code

A Frame Serial No.	3PT-040101 and following
B Engine Serial No.	3PT-040101 and following



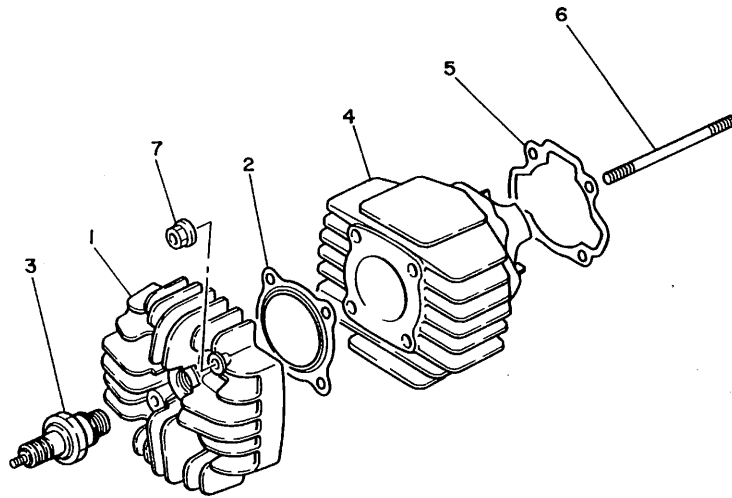
Color Code	Color Name	Abbreviate
0206	PURPLISH WHITE SOLID 1	PWS1

7. Applicable colors of graphics are represented in the "Remarks" column by the letter(s) appropriately picked out of the full word(s) showing such colors.

EXAMPLE

Part No.	Description	Q'ty	Remarks
2N4-24110-00-X5	FUEL TANK COMP.	1	MAXIM RED
3J1-24240-10	.GRAPHIC, fuel tank set	1	for MXR

FIG. 1 CYLINDER

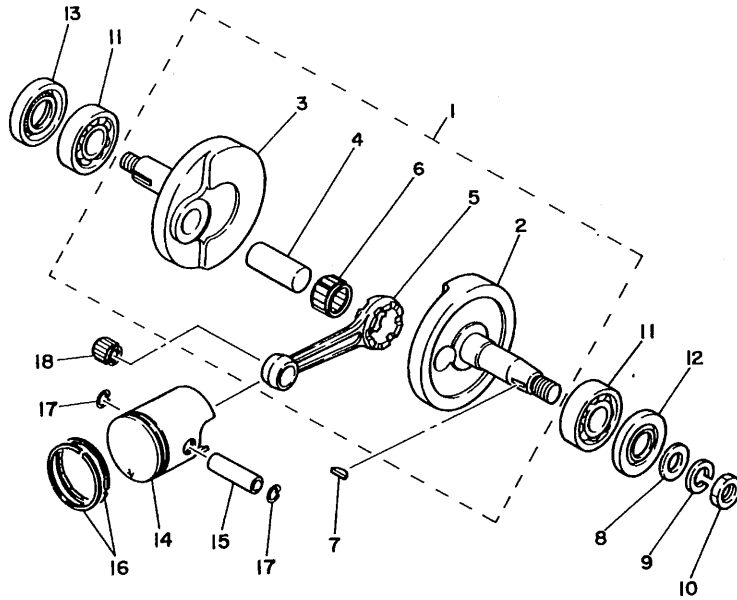


REF. NO.	PART NO.	DESCRIPTION	Q'TY	REMARKS
1	4J2-11111-00	HEAD, cylinder 1	1	
2	517-11181-00	GASKET, cylinder head 1	1	
3	94701-00258	PLUG, spark (NGK BPR4HS)	1	
4	4J2-11311-00	CYLINDER 1	1	
5	2E9-11351-00	GASKET, cylinder	1	
6	90116-06418	BOLT, stud	4	
7	95701-06500	NUT, flange	4	



3PT110-0010

FIG. 2 CRANKSHAFT • PISTON

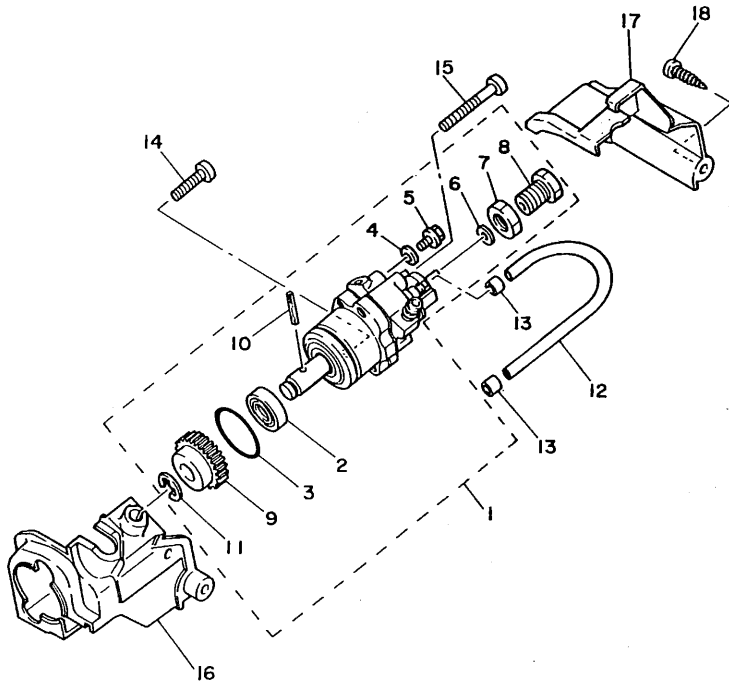


REF. NO.	PART NO.	DESCRIPTION	Q'TY	REMARKS
1	3L5-11400-01	CRANKSHAFT ASSY	1	
2	3L5-11412-00	•CRANK 1	1	
3	3L5-11422-01	•CRANK 2	1	
4	1YU-11681-00	•PIN, crank 1	1	
5	2E9-11651-00	•ROD, connecting	1	
6	93310-416F7	•BEARING, cylindrical	1	
7	90280-03017	KEY, woodruff	1	
8	92990-12600	WASHER, plate	1	
9	92901-12100	WASHER, spring	1	
10	95311-12700	NUT	1	
11	93306-20326	BEARING	2	
12	93102-17067	OIL SEAL	1	
13	93102-23174	OIL SEAL	1	
14	18U-11631-00-A0	PISTON (STD)	1	
	18U-11635-00	PISTON (0.25MM O/S)	1	AP
	18U-11636-00	PISTON (0.50MM O/S)	1	AP
15	2E9-11633-00	PIN, piston	1	
16	260-11601-03	PISTON RING SET (STD)	1	
	260-11601-13	PISTON RING SET (0.25MM O/S)	1	AP
	260-11601-23	PISTON RING SET (0.50MM O/S)	1	AP
17	93450-11021	CIRCLIP	2	
18	93310-210M0	BEARING, cylindrical	1	



3PT110-0020

FIG. 3 OIL PUMP

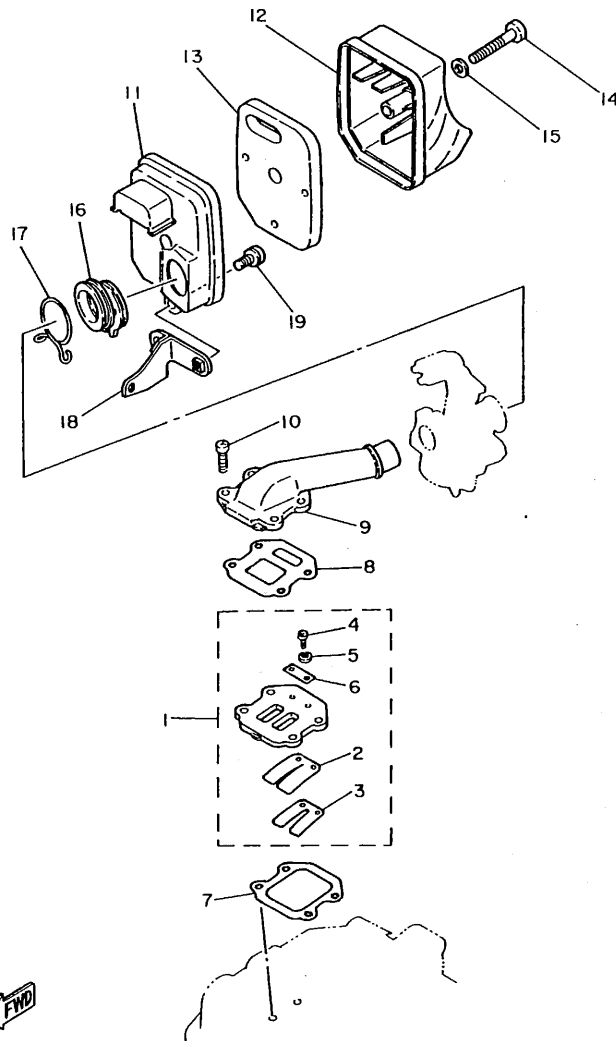


REF. NO.	PART NO.	DESCRIPTION	QTY	REMARKS
1	3L5-13101-00	OIL PUMP ASSY	1	
2	93101-10090	.OIL SEAL	1	
3	93210-26240	.O-RING	1	
4	90430-04004	.GASKET	1	
5	90149-04135	.SCREW	1	
6	384-13138-00	.PLATE, adjusting	1	
7	90170-10105	.NUT	1	
8	90401-10029	.BOLT, union	1	
9	3L5-13124-00	.GEAR, worm wheel (56T)	1	
10	91609-30014	.PIN, spring	1	
11	99080-07600	.CIRCLIP	1	
12	3L5-13161-00	PIPE, delivery 1	1	
13	90468-02033	CLIP	2	
14	98501-05020	SCREW, pan head	1	
15	98501-05035	SCREW, pan head	1	
16	17J-15416-00	COVER, oil pump	1	
17	3L5-15426-00	COVER, oil pump 2	1	
18	97702-50614	SCREW, tapping	1	



3PT110-0030

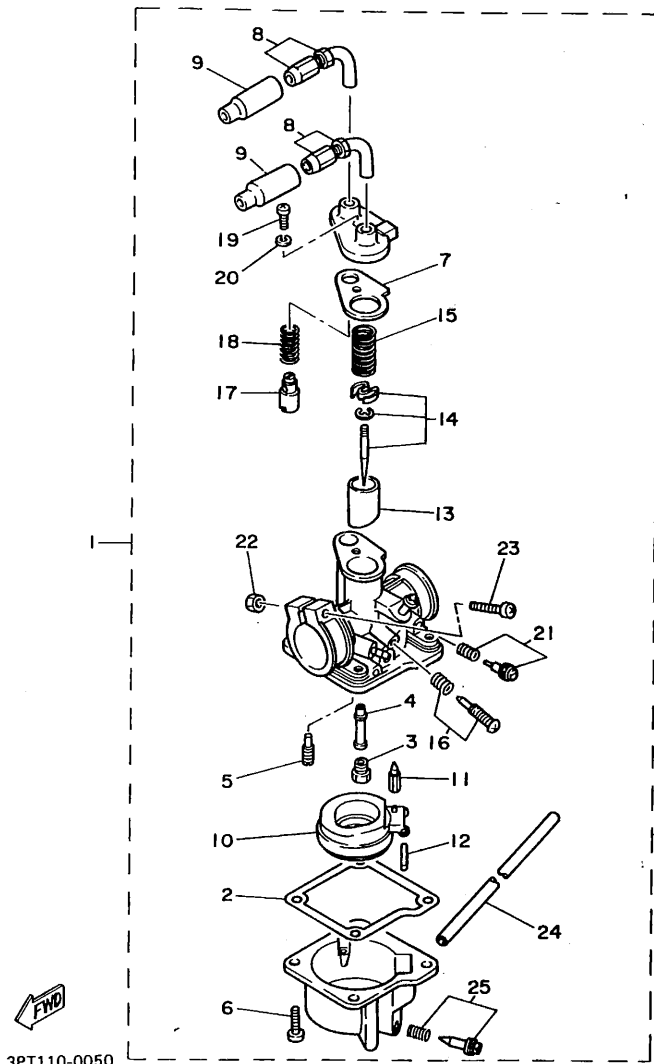
FIG. 4 INTAKE



3PT110-1040

REF. NO.	PART NO.	DESCRIPTION	Q'TY	REMARKS
1	3L5-13610-00	REED VALVE ASSY	1	
2	3L5-13613-00	.REED, valve	1	
3	3L5-13616-00	.STOPPER, reed valve	1	
4	98580-03010	.SCREW, pan head	2	
5	92990-03100	.WASHER, spring	2	
6	3L5-13624-00	.PLATE, reed valve	1	
7	3L5-13621-00	GASKET, valve seat	1	
8	3L5-13622-00	GASKET, valve seat	1	
9	3L5-13555-00	MANIFOLD, intake	1	
10	98501-06020	SCREW, pan head	4	
11	4X4-14411-00	CASE, air cleaner 1	1	
12	4X4-14412-00	CAP, cleaner case 1	1	
13	4X4-14451-00	ELEMENT, air cleaner	1	
14	98503-06045	SCREW, pan head	1	
15	92901-06600	WASHER, plate	1	
16	4X4-14453-00	JOINT, air cleaner 1	1	
17	90467-20023	CLIP	1	
18	4X4-14493-01	STAY 1	1	
19	90159-06013	SCREW, with washer	1	

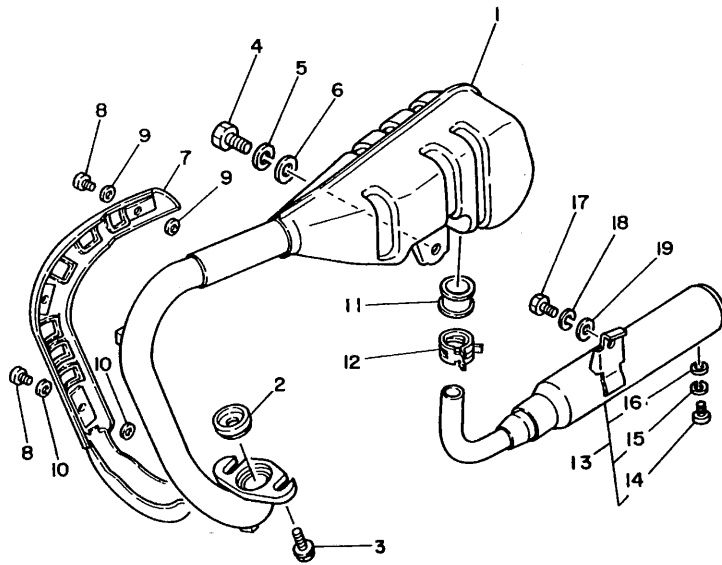
FIG. 5 CARBURETOR



3PT110-0050

REF. NO.	PART NO.	DESCRIPTION	Q'TY	REMARKS
1	4X4-14101-00	CARBURETOR ASSY 1	1	
2	3L5-14184-00	.GASKET, float chamber	1	
3	620-14231-14	.JET, main (# 70)	1	UR STD
	620-14231-13	.JET, main (# 65)	1	UR
	620-14231-15	.JET, main (# 75)	1	UR
4	3L7-14141-12	.NOZZLE, main	1	
5	3L5-14142-40	.JET, pilot (# 40)	1	
6	98503-04014	.SCREW, pan head	4	
7	3L5-14198-00	.GASKET	1	
8	17L-14106-00	.CABLE ADJUST SCREW SET	2	
9	1R0-14169-00	.CAP	2	
10	3L6-14185-01	.FLOAT	1	
11	3L5-14190-01	.NEEDLE VALVE ASSY	1	
12	603-14186-00	.PIN, float	1	
13	3L5-14112-40	.VALVE, throttle 1	1	
14	36R-1490J-00	.NEEDLE SET	1	
15	174-14131-01	.SPRING, throttle valve	1	
16	36R-14103-00	.THROTTLE SCREW SET	1	
17	58E-14171-00	.PLUNGER, starter	1	
18	509-14135-00	.SPRING, plunger	1	
19	98501-05012	.SCREW, pan head	1	
20	92990-05100	.WASHER, spring	1	
21	17L-14104-00	.AIR SCREW SET	1	
22	95303-05600	.NUT	1	
23	98501-05030	.SCREW, pan head	1	
24	214-14197-00	.PIPE	1	
25	17L-14104-00	.AIR SCREW SET	1	

FIG. 6 EXHAUST



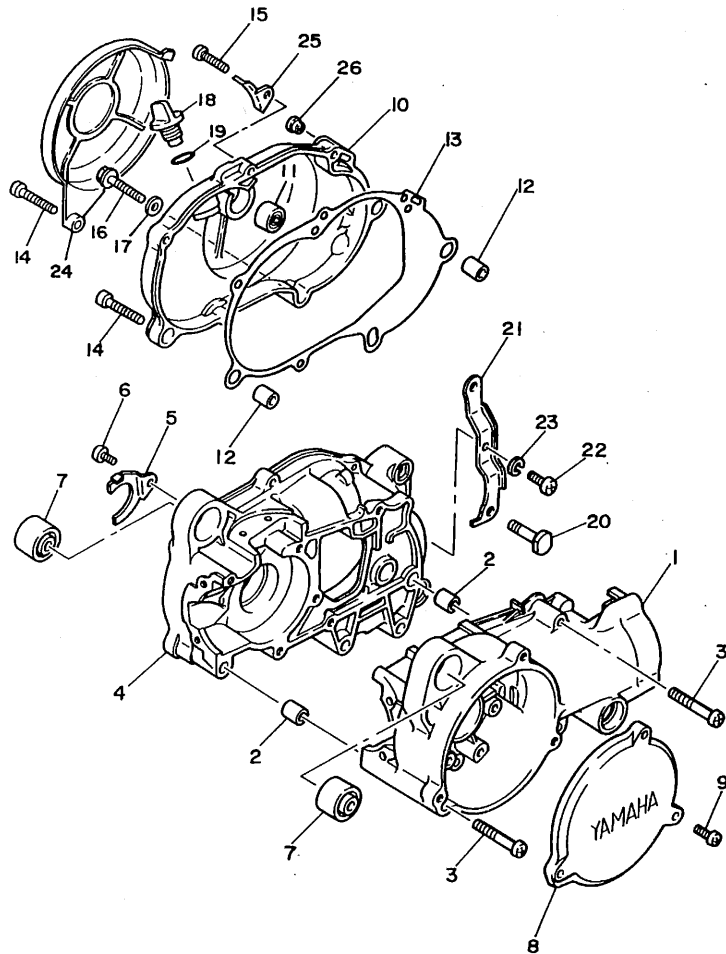
REF. NO.	PART NO.	DESCRIPTION	Q'TY	REMARKS
1	4X4-14610-01	EXHAUST PIPE ASSY 1	1	
2	4X4-14623-00	GASKET, exhaust pipe	1	
3	90153-06057	SCREW, hexagon	2	
4	97313-08020	BOLT	1	
5	92990-08100	WASHER, spring	1	
6	92901-08600	WASHER, plate	1	
7	4X4-14708-00	PROTECTOR ASSY	1	
8	98501-05006	SCREW, pan head	4	
9	90430-04167	GASKET	4	
10	90430-05008	GASKET	4	
11	4X4-14714-00	GASKET, muffler	1	
12	90467-22048	CLIP	1	
13	4X4-14750-00	SILENCER ASSY	1	
14	92501-06008	SCREW, pan head	1	
15	92990-06100	WASHER, spring	1	
16	92901-06600	WASHER, plate	1	
17	97313-06016	BOLT	1	
18	92990-06100	WASHER, spring	1	
19	92901-06600	WASHER, plate	1	



3PT110-0060

B7

FIG. 7 CRANKCASE



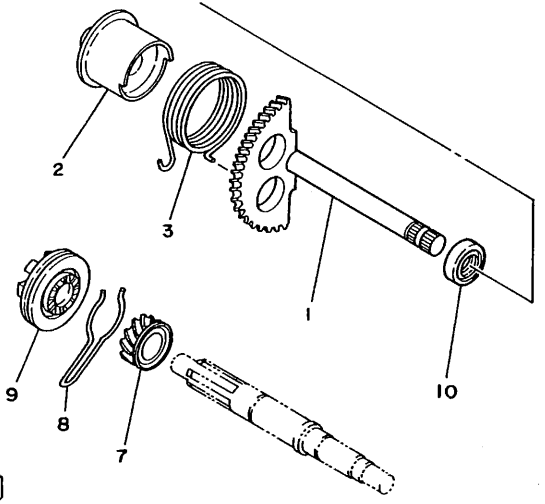
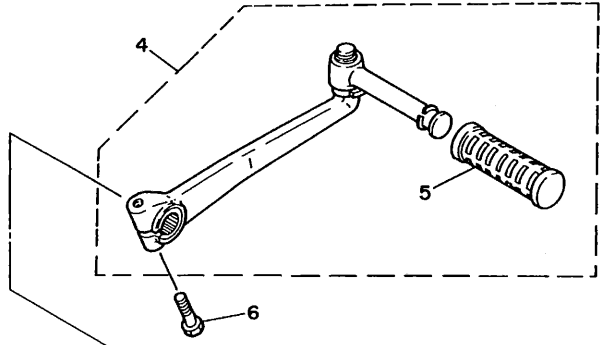
REF. NO.	PART NO.	DESCRIPTION	QTY	REMARKS
1	4X4-15111-00	CRANKCASE 1	1	
2	99510-12016	PIN, dowel	2	
3	98503-06045	SCREW, pan head	8	
4	4J2-15121-00	CRANKCASE 2	1	
5	3L5-15128-00	HOLDER	1	
6	98501-06012	SCREW, pan head	1	
7	2E9-15316-00	DAMPER, engine mount 1	2	
8	4J2-15415-00	COVER, generator	1	
9	98506-05016	SCREW, pan head	3	
10	4X4-15421-00	COVER, crankcase 2	1	
11	3L5-17112-01	BUSH 1	1	
12	99510-12016	PIN, dowel	2	
13	3L5-15451-01	GASKET, crankcase cover 1	1	
14	92506-06035	SCREW, pan head	3	
15	92506-06025	SCREW, pan head	3	
16	90105-08103	BOLT, washer based	1	
17	90201-08087	WASHER, plate	1	
18	4J2-15363-00	PLUG, oil	1	
19	93210-14104	O-RING	1	
20	90109-08582	BOLT	2	
21	4J2-15113-00	PLATE	1	
22	98501-06012	SCREW, pan head	1	
23	92990-06100	WASHER, spring	1	
24	4X4-15491-00	PROTECTOR	1	
25	4X4-15484-00	CLAMP 2	1	
26	90338-07011	PLUG	2	



3PT110-0070

FIG. 8 STARTER

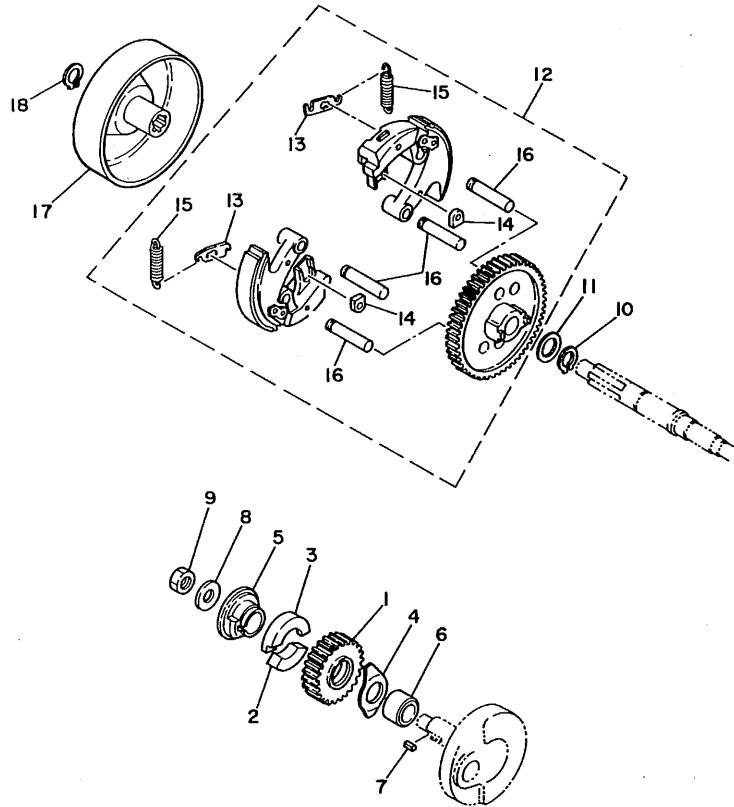
REF. NO.	PART NO.	DESCRIPTION	Q'TY	REMARKS
1	3L5-15601-00	KICK SHAFT ASSY	1	
2	3L5-15664-00	GUIDE, spring	1	
3	90508-28399	SPRING, torsion	1	
4	17J-15620-01	KICK CRANK ASSY	1	
5	2T4-15618-00	COVER, kick lever	1	
6	97011-06025	BOLT	1	
7	3L5-15631-00	GEAR, kick pinion (13T)	1	
8	3L5-15673-00	CLIP	1	
9	3L5-13178-00	GEAR, pump drive	1	
10	93109-15001	OIL SEAL	1	



3PT110-0080

B9

FIG. 9 CLUTCH



REF. NO.	PART NO.	DESCRIPTION	Q'TY	REMARKS
1	3L5-16111-00	GEAR, primary drive (33T)	1	
2	3L5-16115-00	ABSORBER 1	1	
3	3L5-16125-00	ABSORBER 2	1	
4	3L5-16114-00	PLATE, thrust 2	1	
5	3L5-16181-01	SPACER 1	1	
6	90387-16730	COLLAR	1	
7	90282-05034	KEY, straight	1	
8	90208-10012	WASHER, conical spring	1	
9	90170-10219	NUT	1	
10	99009-16400	CIRCLIP	1	
11	90201-16383	WASHER, plate	1	
12	3L5-16620-03	CLUTCH CARRIER ASSY	1	
13	3L5-16628-02	.WASHER	2	
14	2T4-16629-00	.DAMPER, clutch weight	2	
15	3L5-16627-02	.SPRING, clutch weight 2	2	
16	36R-16633-00	.SHAFT, clutch weight	4	
17	3L5-16611-02	CLUTCH HOUSING COMP.	1	
18	99009-16400	CIRCLIP	1	

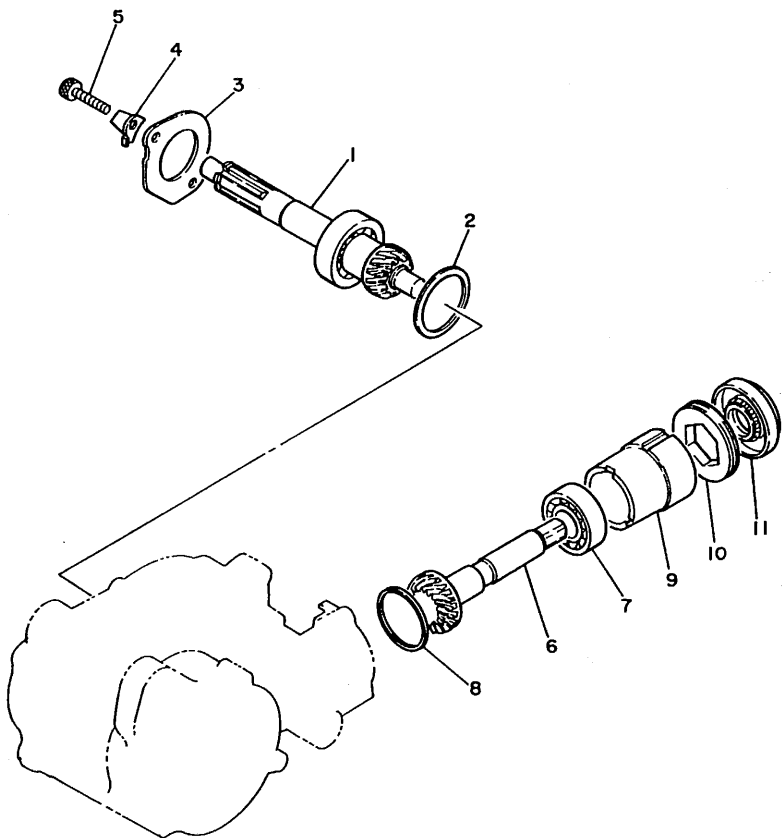


3PT110-0090

B10

FIG. 10 TRANSMISSION

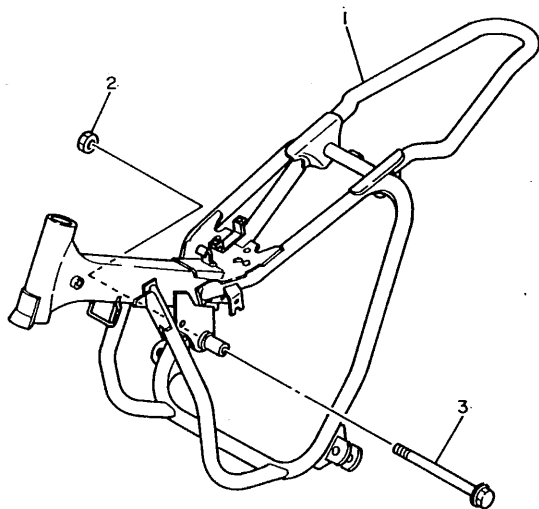
REF. NO.	PART NO.	DESCRIPTION	Q'TY	REMARKS
1	3L5-17410-00	MAIN AXLE COMP. (15T)	1	
2	3L5-17531-00	SHIM, pinion	1	
3	3L5-17471-00	PLATE, cover	1	
4	3L5-17473-00	STOPPER	1	
5	91316-06016	BOLT	2	
6	15L-17552-00	PINION, driven	1	
7	93306-20301	BEARING	1	
8	3L5-17537-00	SHIM, thrust	1	
9	3L5-17442-00	COLLAR, distance	1	
10	90149-45134	SCREW	1	
11	93102-15267	OIL SEAL	1	




 3PT110-0100

FIG. 11 FRAME

REF. NO.	PART NO.	DESCRIPTION	Q'TY	REMARKS
1	36E-21110-01-33	FRAME COMP.	1	YAMAHA BLACK
2	95601-10200	NUT, self-locking	1	
3	90105-10130	BOLT, washer based	1	

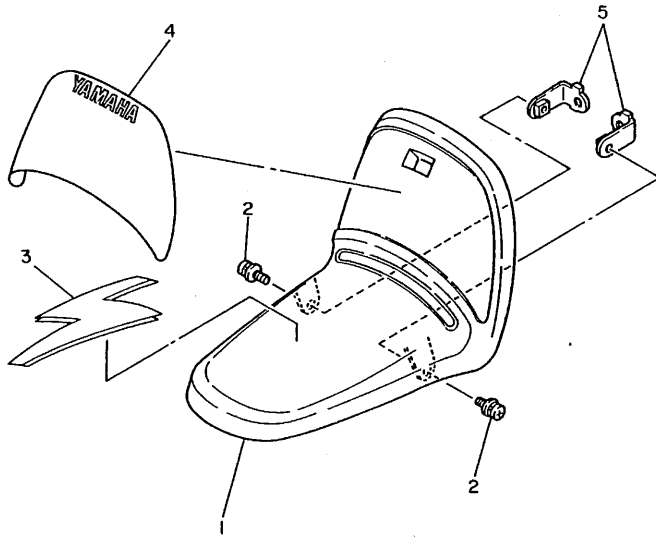


3PT351-0110

B12

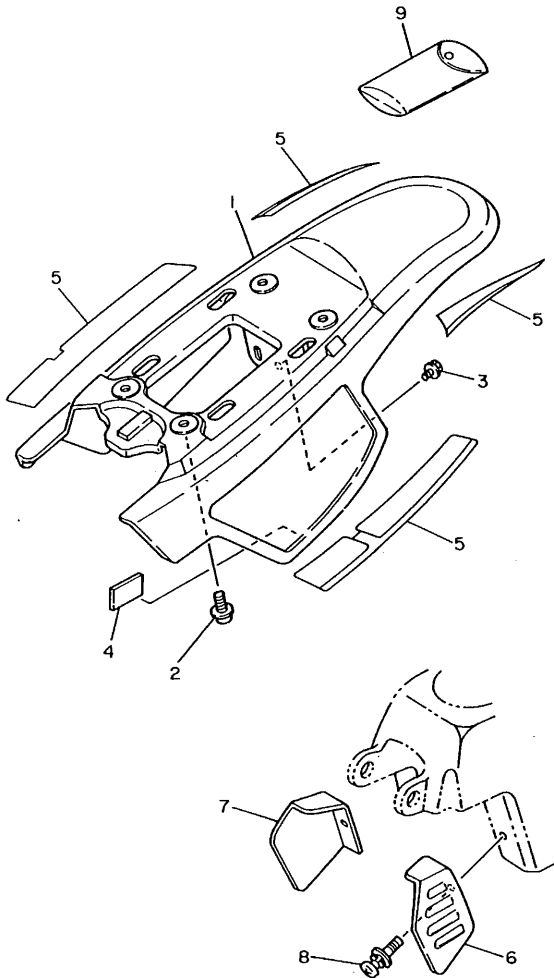
FIG. 12 FRONT FENDER

REF. NO.	PART NO.	DESCRIPTION	Q'TY	REMARKS
1	3PT-21511-00	FENDER, front	1	
2	90159-06060	SCREW, with washer	2	
3	3PT-21569-10	GRAPHIC 1	1	
4	99244-00020	EMBLEM, yamaha	1	
5	36E-21513-00	STAY, fender 1	2	



3PT110-1120

FIG. 13 SIDE COVER



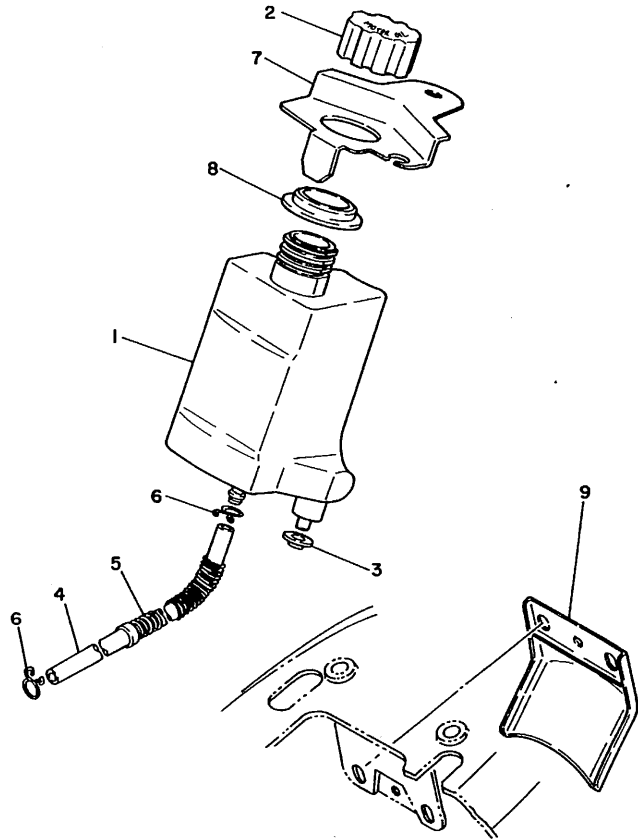
REF. NO.	PART NO.	DESCRIPTION	Q'TY	REMARKS
1	3PT-21711-00	COVER, side 1	1	
2	90159-06060	SCREW, with washer	4	
3	90119-06052	BOLT, with washer	2	
4	4X4-24181-00	DAMPER, locating 1	2	
5	3PT-2173L-10	GRAPHIC SET 1	1	
6	3PT-21731-00	COVER, side 3	1	
7	3PT-21741-00	COVER, side 4	1	
8	90159-06058	SCREW, with washer	2	
9	50W-28100-00	TOOL KIT	1	


3PT110-1130

B14

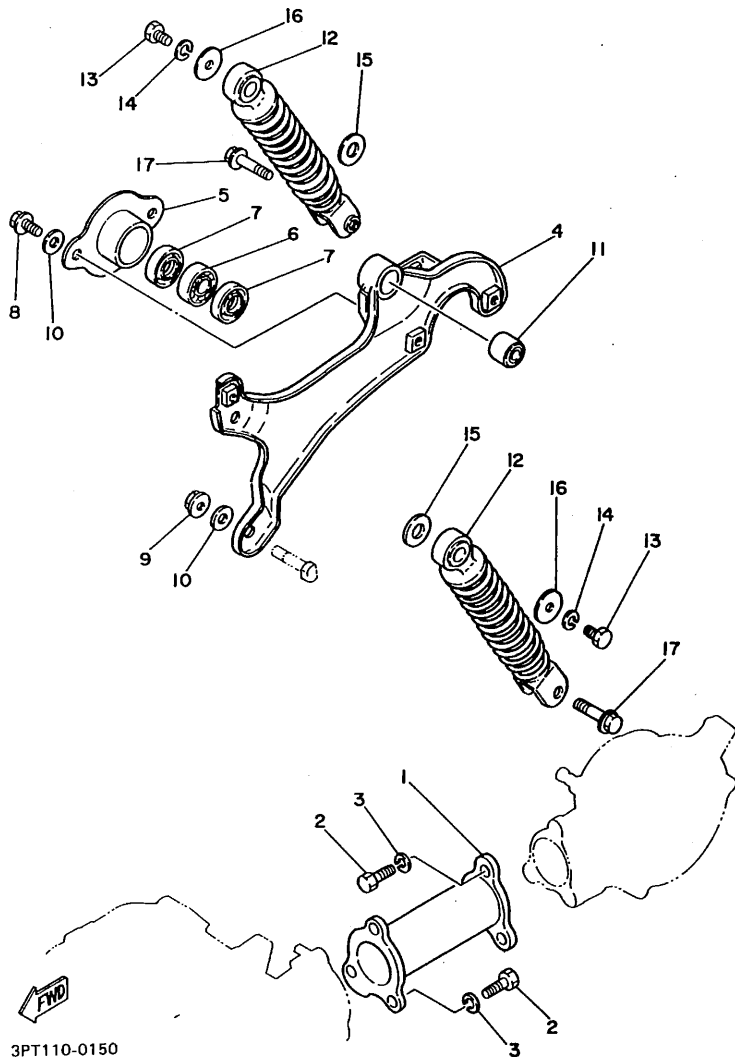
FIG. 14 OIL TANK

REF. NO.	PART NO.	DESCRIPTION	Q'TY	REMARKS
1	4X4-21751-00	TANK, oil	1	
2	1Y1-21770-01	OIL TANK CAP ASSY	1	
3	90480-10408	GROMMET	2	
4	4X4-21766-00	PIPE, oil	1	
5	90501-08410	SPRING, compression	1	
6	90467-08003	CLIP	2	
7	4X4-2172K-00	BRACKET 1	1	
8	4X4-21773-00	GROMMET	1	
9	4X4-21629-00	GUARD, mud	1	



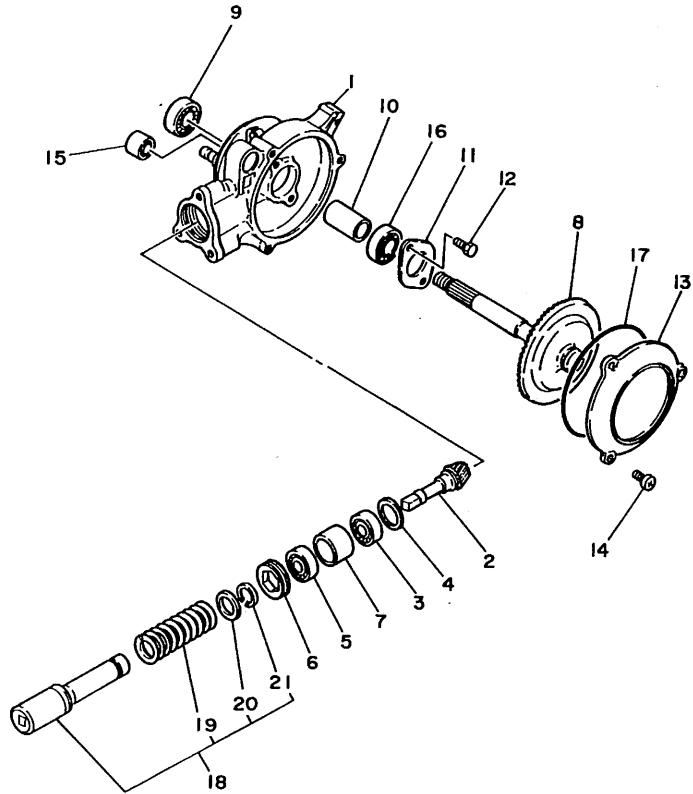
3PT110-0140

FIG. 15 REAR ARM • SUSPENSION



REF. NO.	PART NO.	DESCRIPTION	Q'TY	REMARKS
1	3L7-22110-00-98	REAR ARM COMP.	1	LOW GLOSS BLACK
2	90101-08461	BOLT	6	
3	92990-08100	WASHER, spring	6	
4	4X4-22110-01	REAR ARM COMP.	1	
5	4J2-22174-01	END 1	1	
6	93306-20113	BEARING (B6201-2RS)	1	
7	93106-24018	OIL SEAL	2	
8	90105-08155	BOLT, washer based	2	
9	95701-08500	NUT, flange	2	
10	90201-08326	WASHER, plate	4	
11	164-22216-00	BUSH, rear shock absorber	1	
12	4X4-22210-00-P0	SHOCK ABSORBER ASSY, rear	2	VIVID MAGENTA SOLID 2
13	97021-06016	BOLT	2	
14	92990-06100	WASHER, spring	2	
15	90201-126A7	WASHER, plate	2	
16	90201-067A0	WASHER, plate	2	
17	90105-08121	BOLT, washer based	2	

FIG. 16 DRIVE SHAFT



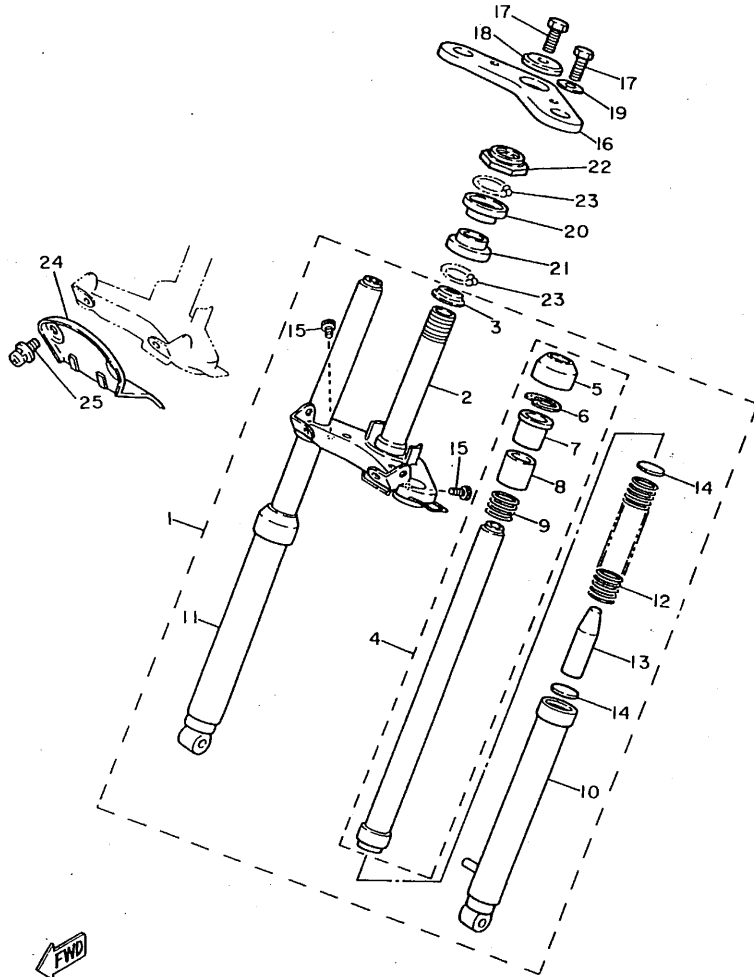
REF. NO.	PART NO.	DESCRIPTION	Q'TY	REMARKS
1	4J2-46151-01	HOUSING, drive shaft	1	
2	59M-46121-00	GEAR, drive pinion	1	
3	93306-20111	BEARING (B6201)	1	
4	3L5-46127-00	SHIM, drive pinion	1	
5	93306-20111	BEARING (B6201)	1	UR
	93306-20110	BEARING (B6201)	1	UR
6	90149-35133	SCREW	1	
7	90560-25185	SPACER	1	
8	4J2-46110-01	RING GEAR COMP.	1	
9	93306-20213	BEARING	1	
10	90560-15315	SPACER	1	
11	3L5-46114-00	PLATE, cover	1	
12	97313-06016	BOLT	2	
13	4J2-46154-02	COVER, housing	1	
14	92506-06016	SCREW, pan head	3	
15	164-22216-00	BUSH, rear shock absorber	1	
16	93306-20209	BEARING (B6202)	1	
17	93211-05393	O-RING	1	
18	3L7-46171-00	SHAFT DRIVE ASSY	1	
19	90501-60556	SPRING, compression	1	
20	15L-18473-00	RETAINER, spring	1	
21	93440-17138	CIRCLIP	1	



3PT110-0160

C3

FIG. 17 FRONT FORK



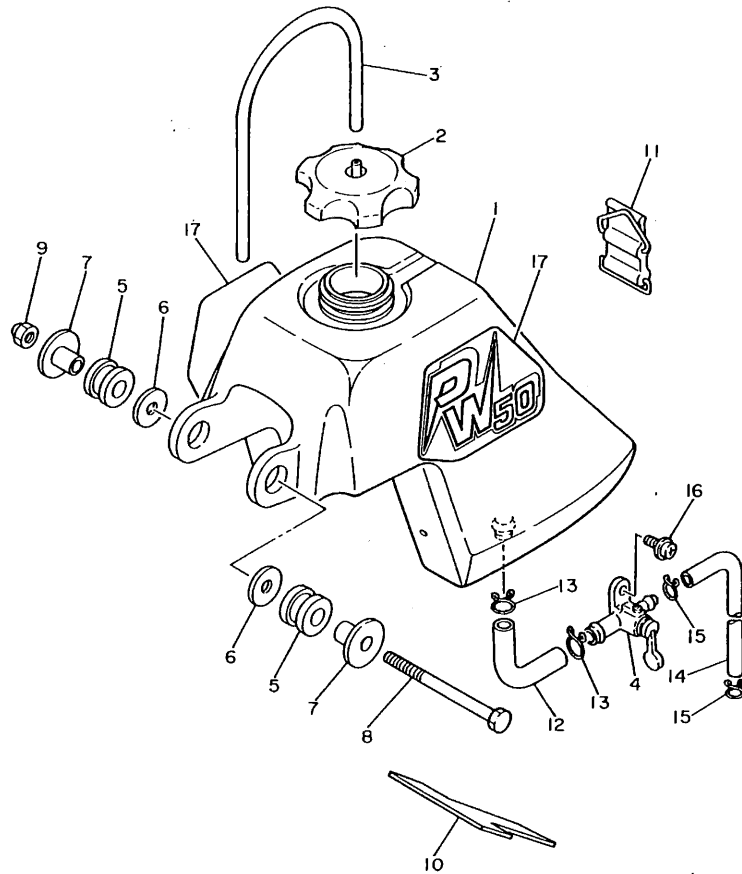
REF. NO.	PART NO.	DESCRIPTION	Q'TY	REMARKS
1	4X4-23100-01-P0	FRONT FORK ASSY	1	VIVID MAGENTA SOLID 2
2	4X4-23340-01-33	.UNDER BRACKET COMP.	1	YAMAHA BLACK
3	2E9-23414-01	.RACE, ball 4	1	
4	4X4-23110-00	.INNER TUBE COMP.1	2	
5	2E9-23144-01	..SEAL, dust	1	
6	93450-30057	..CIRCLIP	1	
7	54V-23125-00	..METAL, slide 1	1	
8	2E9-23113-01	..COLLAR	1	
9	36R-23151-00	..SPRING, rebound	1	
10	4X4-23106-00-P0	.OUTER TUBE COMP. (L.H)	1	VIVID MAGENTA SOLID 2
11	4X4-23107-00-P0	.OUTER TUBE COMP. (R.H)	1	VIVID MAGENTA SOLID 2
12	4X4-23141-00	.SPRING, front fork	2	
13	3L6-23195-00	.RUBBER	2	
14	2E9-23143-00	.SEAT, spring lower	4	
15	91316-06016	.BOLT	2	
16	4X4-23435-00	CROWN, handle	1	UNI CHROME (BLACK)
17	90105-10006	BOLT, washer based	3	
18	90209-10021	WASHER	1	
19	90201-10742	WASHER, plate	2	
20	2E9-23412-00	RACE, ball 2	1	
21	2E9-23413-01	RACE, ball 3	1	
22	3L6-23411-00	RACE, ball 1	1	
23	93505-32002	BALL	52	
24	4X4-21543-00	PLATE 1	1	
25	90159-06060	SCREW, with washer	2	



3PT351-1170

C4

FIG. 18 FUEL TANK



REF. NO.	PART NO.	DESCRIPTION	Q'TY	REMARKS
1	3PT-24110-00	FUEL TANK COMP.	1	
2	2FG-24610-00	CAP ASSY	1	
3	90445-09252	HOSE	1	
4	4X4-24500-00	FUEL COCK ASSY 1	1	
5	90480-18290	GROMMET	2	
6	90201-06407	WASHER, plate	2	
7	90387-077F4	COLLAR	2	
8	98001-06085	BOLT	1	
9	90176-06038	NUT, crown	1	
10	3R0-24181-00	DAMPER, locating 1	1	
11	59V-24173-00	BAND, tank fitting 1	1	
12	36E-24311-00	PIPE, fuel 1	1	
13	90467-12052	CLIP	2	
14	90445-09074	HOSE	1	
15	90467-08003	CLIP	2	
16	90159-06013	SCREW, with washer	1	
17	3PT-24244-10	GRAPHIC, fuel tank 1	2	

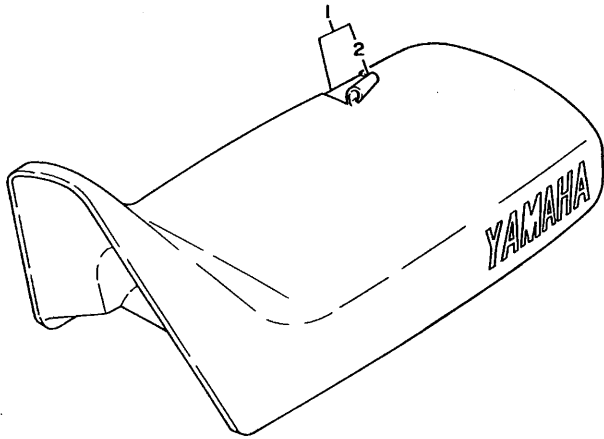


3PT110-0180

C5

FIG. 19 SEAT

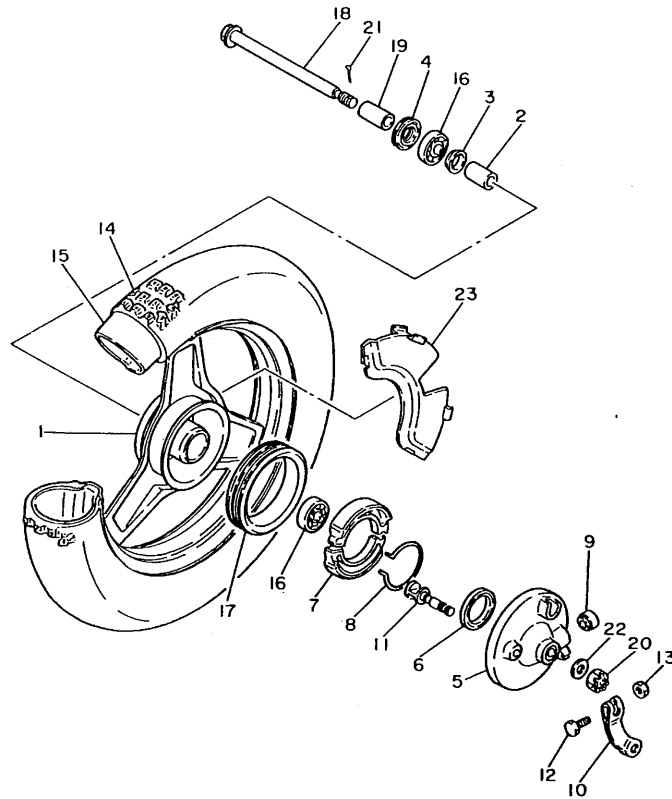
REF. NO.	PART NO.	DESCRIPTION	Q'TY	REMARKS
1	3PT-24710-00	SINGLE SEAT ASSY	1	
2	3PT-24731-00	.COVER, single seat	1	



3PT110-0190

C6

FIG. 20 FRONT WHEEL

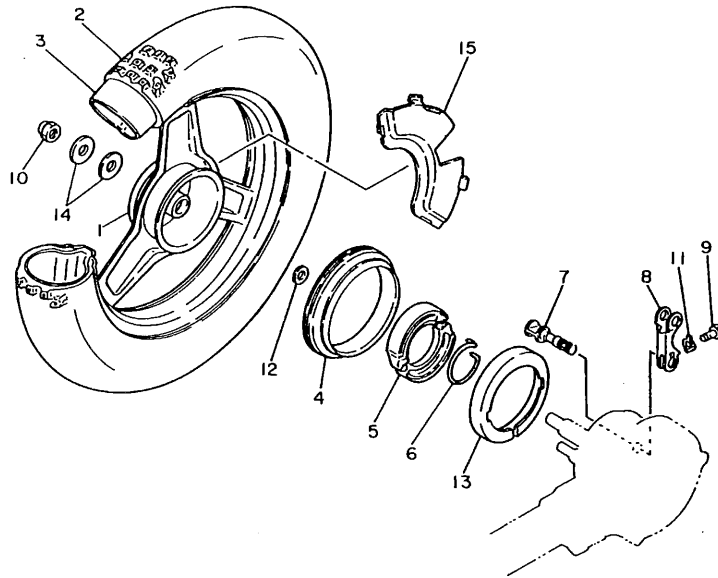


REF. NO.	PART NO.	DESCRIPTION	Q'TY	REMARKS
1	5M0-25180-00-36	FRONT WHEEL COMP.	1	WHITE
2	90560-10173	SPACER	1	
3	2E9-25116-00	FLANGE, spacer 2	1	
4	93106-17015	OIL SEAL	1	
5	2T4-25121-00-98	PLATE, brake shoe	1	LOW GLOSS BLACK
6	93109-34057	OIL SEAL	1	
7	2E9-W2535-00	BRAKE SHOE SET	1	
8	2E9-25133-00	SPRING, return	1	
9	90336-15033	PLUG, taper	1	
10	2T4-25155-00	LEVER, camshaft 1	1	
11	25K-25151-00	CAMSHAFT	1	
12	97021-05020	BOLT	1	
13	95303-05600	NUT	1	
14	94125-10650	TIRE (2.50-10)	1	UR INOUE
	94125-10651	TIRE (2.50-10 4PR M29)	1	UR BRIDGESTONE
15	94227-10219	TUBE (2.75-10)	1	YOKOHAMA
16	93306-20005	BEARING (B6200)	2	UR KOYO
	93306-20006	BEARING (B6200)	2	UR NTN
17	2T4-25185-00	RING 1	1	
18	4N0-25181-00	AXLE, wheel	1	
19	90387-10620	COLLAR	1	
20	90171-10004	NUT, castle	1	
21	91401-20020	PIN, cotter	1	
22	92901-10200	WASHER, plain	1	
23	36E-2539F-00	PLATE 1	3	UR FOR EUROPE



3PT351-0200

FIG. 21 REAR WHEEL

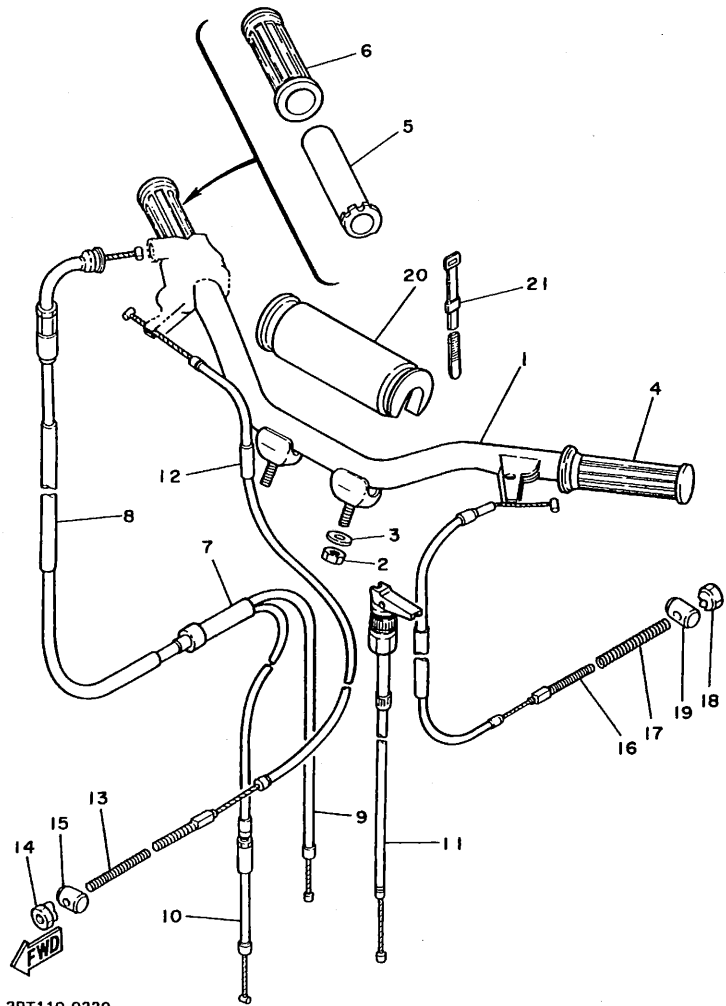


REF. NO.	PART NO.	DESCRIPTION	Q'TY	REMARKS
1	5M0-25390-00-36	REAR WHEEL COMP.	1	WHITE
2	94125-10650	TIRE (2.50-10)	1	UR INOUE
	94125-10651	TIRE (2.50-10 4PR M29)	1	UR BRIDGESTONE
3	94227-10219	TUBE (2.75-10)	1	UR YOKOHAMA
4	2T4-25185-00	RING 1	1	
5	2E9-W2535-00	BRAKE SHOE SET	1	
6	2E9-25133-00	SPRING, return	1	
7	3L5-25351-00	CAMSHAFT	1	
8	3L5-25355-00	LEVER, camshaft	1	
9	90101-05396	BOLT	1	
10	90185-12080	NUT, self-locking	1	
11	2E9-25412-00	WASHER	1	
12	90201-154E8	WASHER, plate	1	
13	4X4-25336-00	RING 2	1	
14	90387-125A5	COLLAR	2	
15	36E-2539F-00	PLATE 1	3	UR FOR EUROPE



3PT351-0210

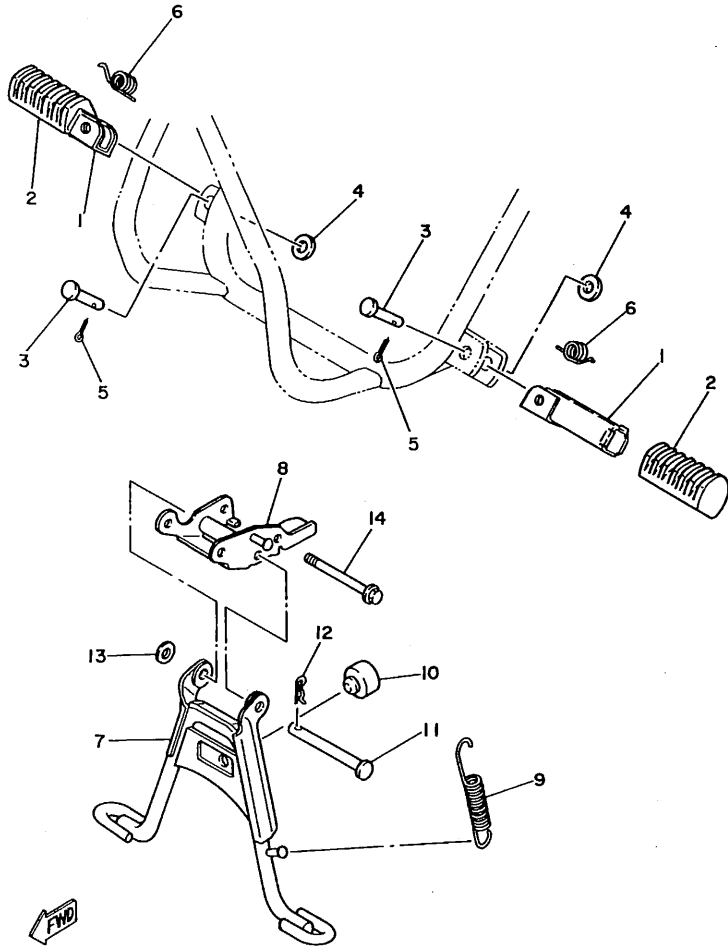
FIG. 22 STEERING HANDLE • CABLE



3PT110-0220

REF. NO.	PART NO.	DESCRIPTION	Q'TY	REMARKS
1	3PT-26111-00	HANDLEBAR	1	
2	95611-08100	NUT, u	2	
3	2E9-26129-00	WASHER	2	
4	4X4-26241-00	GRIP (LEFT)	1	
5	4X4-26243-00	TUBE, throttle guide	1	
6	4X4-26242-00	GRIP (RIGHT)	1	
7	4U1-26261-00	CONNECTOR, cable	1	
8	4X4-26311-00	CABLE, throttle 1	1	
9	4X4-26312-00	CABLE, throttle 2	1	
10	4X4-26321-00	CABLE, pump	1	
11	4X4-26331-01	CABLE, starter 1	1	
12	4X4-26341-00	CABLE, brake	1	
13	90501-10513	SPRING, compression	1	
14	90179-06176	NUT	1	
15	90249-12008	PIN	1	
16	4X4-26351-00	CABLE, brake	1	
17	90501-10074	SPRING, compression	1	
18	90179-06176	NUT	1	
19	90249-12008	PIN	1	
20	36R-26124-10	PROTECTOR, handlebar	1	YAMAHA BLACK
21	437-83936-11	BAND, switch cord	2	

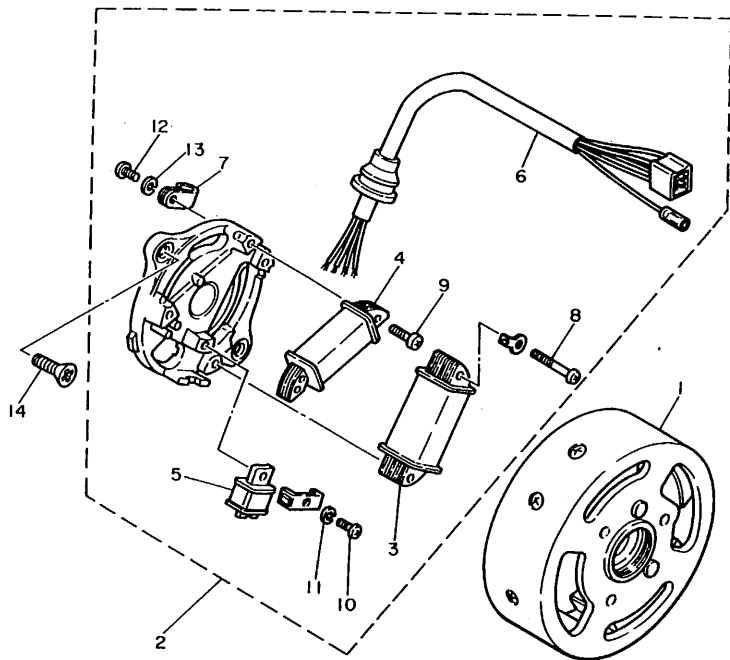
FIG. 23 STAND • FOOTREST



3PT110-0230

REF. NO.	PART NO.	DESCRIPTION	Q'TY	REMARKS
1	214-27421-00	FOOTREST 2	2	UNICHROME (BLACK)
2	4X4-27413-00	COVER, footrest	2	
3	91701-08038	PIN, clevis	2	
4	92901-08600	WASHER, plate	2	
5	91401-25020	PIN, cotter	2	
6	90508-20023	SPRING, torsion	2	
7	4X4-27111-00-33	STAND, main	1	YAMAHA BLACK
8	3L5-27151-02	BRACKET, main stand	1	
9	90506-29052	SPRING, tension	1	
10	116-27114-00	STOPPER, main stand	1	
11	90240-08121	PIN, clevis	1	
12	90468-12006	CLIP	1	
13	92901-08600	WASHER, plate	1	
14	90105-06301	BOLT, washer based	2	

FIG. 24 GENERATOR

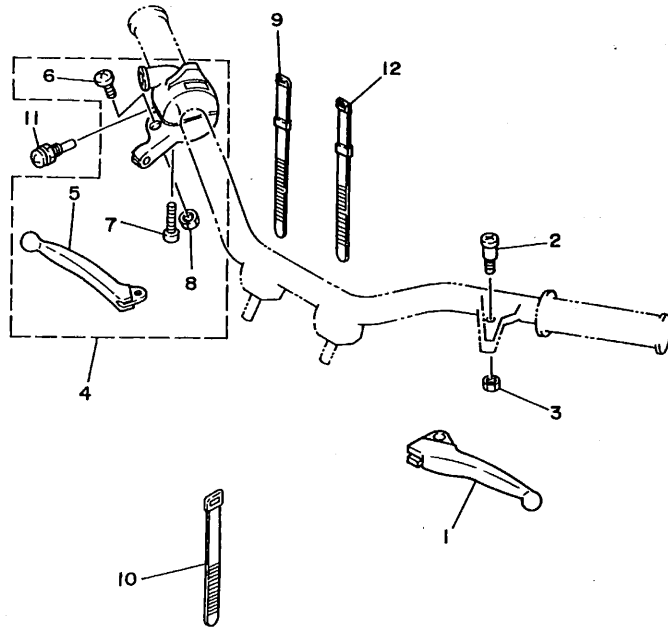


REF. NO.	PART NO.	DESCRIPTION	Q'TY	REMARKS
1	3L6-85550-M0	ROTOR ASSY	1	
2	4X4-85560-M1	BASE ASSY	1	
3	4X4-81313-M0	.COIL, lighting 1	1	
4	4Y4-85520-M0	.COIL, charge	1	
5	3L5-85580-M0	.COIL, pulser	1	
6	4X4-8131X-M0	.CORD ASSY	1	
7	90461-05036	.CLAMP	1	
8	98511-04025	.SCREW, pan head	2	
9	98511-04012	.SCREW, pan head	2	
10	98580-04010	.SCREW, pan head	1	
11	92901-04100	.WASHER, spring	1	
12	98501-04006	.SCREW, pan head	1	
13	92901-04100	.WASHER, spring	1	
14	98701-06014	SCREW, flat head	2	



3PT110-0240

FIG. 25 HANDLE SWITCH • LEVER



REF. NO.	PART NO.	DESCRIPTION	Q'TY	REMARKS
1	2T4-83912-01	LEVER 1	1	
2	90149-05162	SCREW	1	
3	95601-05100	NUT, u	1	
4	4X4-82920-00	LEVER HOLDER ASSY (RIGHT)	1	
5	2T4-83922-01	.LEVER 2	1	
6	90149-05119	.SCREW	1	
7	98506-05025	.SCREW, pan head	2	
8	95601-05100	.NUT, u	1	
9	437-83936-01	BAND, switch cord	1	
10	437-83936-11	BAND, switch cord	1	
11	4X4-26257-00	STOPPER	1	
12	437-83936-01	BAND, switch cord	1	


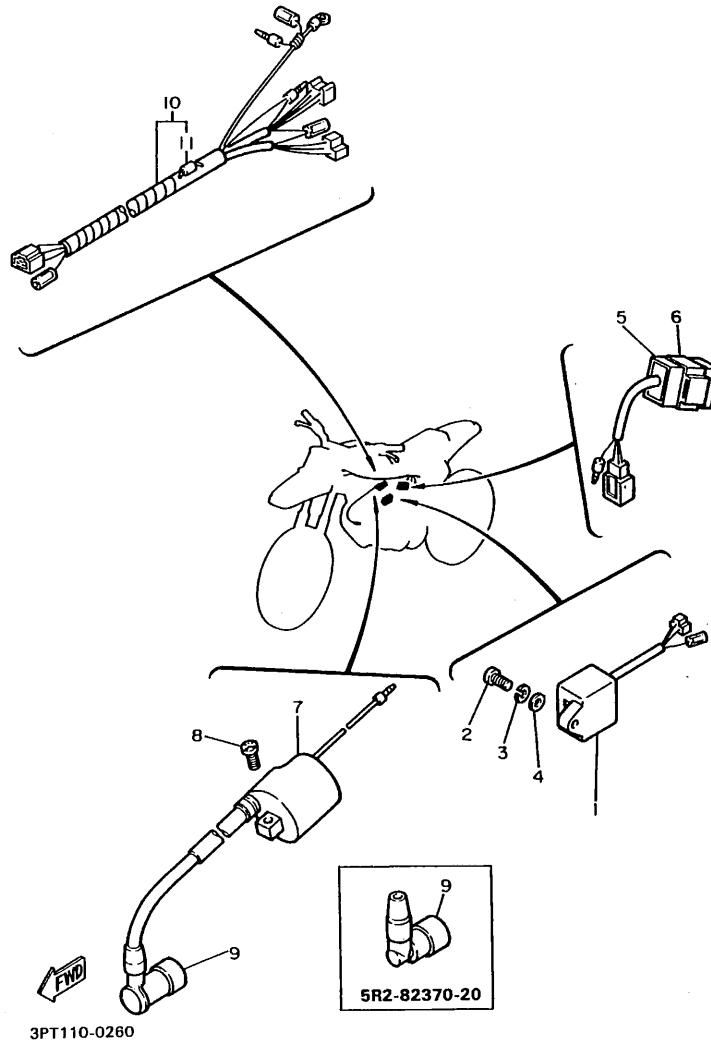
 3PT110-0250

FIG. 26 ELECTRICAL 1



REF. NO.	PART NO.	DESCRIPTION	Q'TY	REMARKS
1	3L4-85540-M1	C.D.I. UNIT ASSY	1	
2	92501-06014	SCREW, pan head	1	
3	92990-06100	WASHER, spring	1	
4	92901-06600	WASHER, plate	1	
5	4X4-85590-M0	CONTROL UNIT ASSY	1	
6	4J2-85546-00	BAND	1	
7	32N-82310-M0	IGNITION COIL ASSY	1	
8	92501-06014	SCREW, pan head	2	
9	166-82370-20	PLUG CAP ASSY	1	UR
	5R2-82370-20	PLUG CAP ASSY	1	UR WITH NOISE SUPPRESSOR
10	4X4-82590-20	WIRE HARNESS ASSY	1	
11	3K7-81980-00	RECTIFIER 2	1	

NUMERICAL INDEX

PART NO.	GRID NO.	PART NO.	GRID NO.	PART NO.	GRID NO.
2E9-W2535-00	C- 7	620-14231-14	B- 6	3L5-17531-00	B-11
	C- 8	620-14231-15	B- 6	3L5-17537-00	B-11
4J2-11111-00	B- 2	4X4-14411-00	B- 5	15L-17552-00	B-11
517-11181-00	B- 2	4X4-14412-00	B- 5	15L-18473-00	C- 3
4J2-11311-00	B- 2	4X4-14451-00	B- 5	36E-21110-01-33	B-12
2E9-11351-00	B- 2	4X4-14453-00	B- 5	3PT-21511-00	B-13
3L5-11400-01	B- 3	4X4-14493-01	B- 5	36E-21513-00	B-13
3L5-11412-00	B- 3	4X4-14610-01	B- 7	4X4-21543-00	C- 4
3L5-11422-01	B- 3	4X4-14623-00	B- 7	3PT-21569-10	B-13
260-11601-03	B- 3	4X4-14708-00	B- 7	4X4-21629-00	B-15
260-11601-13	B- 3	4X4-14714-00	B- 7	3PT-21711-00	B-14
260-11601-23	B- 3	4X4-14750-00	B- 7	4X4-2172K-00	B-15
18U-11631-00-AO	B- 3	36R-1490J-00	B- 6	3PT-2173L-10	B-14
2E9-11633-00	B- 3	4X4-15111-00	B- 8	3PT-21731-00	B-14
18U-11635-00	B- 3	4J2-15113-00	B- 8	3PT-21741-00	B-14
18U-11636-00	B- 3	4J2-15121-00	B- 8	4X4-21751-00	B-15
2E9-11651-00	B- 3	3L5-15128-00	B- 8	4X4-21766-00	B-15
1YU-11681-00	B- 3	2E9-15316-00	B- 8	1Y1-21770-01	B-15
3L5-13101-00	B- 4	4J2-15363-00	B- 8	4X4-21773-00	B-15
3L5-13124-00	B- 4	4J2-15415-00	B- 8	3L7-22110-00-98	C- 2
384-13138-00	B- 4	17J-15416-00	B- 4	4X4-22110-01	C- 2
3L5-13161-00	B- 4	4X4-15421-00	B- 8	4J2-22174-01	C- 2
3L5-13178-00	B- 9	3L5-15426-00	B- 4	4X4-22210-00-PO	C- 2
3L5-13555-00	B- 5	3L5-15451-01	B- 8	164-22216-00	C- 2
3L5-13610-00	B- 5	4X4-15484-00	B- 8		C- 3
3L5-13613-00	B- 5	4X4-15491-00	B- 8	4X4-23100-01-PO	C- 4
3L5-13616-00	B- 5	3L5-15601-00	B- 9	4X4-23106-00-PO	C- 4
3L5-13621-00	B- 5	2T4-15618-00	B- 9	4X4-23107-00-PO	C- 4
3L5-13622-00	B- 5	17J-15620-01	B- 9	4X4-23110-00	C- 4
3L5-13624-00	B- 5	3L5-15631-00	B- 9	2E9-23113-01	C- 4
4X4-14101-00	B- 6	3L5-15664-00	B- 9	54V-23125-00	C- 4
36R-14103-00	B- 6	3L5-15673-00	B- 9	4X4-23141-00	C- 4
17L-14104-00	B- 6	3L5-16111-00	B-10	2E9-23143-00	C- 4
17L-14106-00	B- 6	3L5-16114-00	B-10	2E9-23144-01	C- 4
3L5-14112-40	B- 6	3L5-16115-00	B-10	36R-23151-00	C- 4
174-14131-01	B- 6	3L5-16125-00	B-10	3L6-23195-00	C- 4
509-14135-00	B- 6	3L5-16181-01	B-10	4X4-23340-01-33	C- 4
3L7-14141-12	B- 6	3L5-16611-02	B-10	3PT-23411-00	C- 4
3L5-14142-40	B- 6	3L5-16620-03	B-10	2E9-23412-00	C- 4
1R0-14169-00	B- 6	3L5-16627-02	B-10	2E9-23413-01	C- 4
58E-14171-00	B- 6	3L5-16628-02	B-10	2E9-23414-01	C- 4
3L5-14184-00	B- 6	2T4-16629-00	B-10	4X4-23435-00	C- 4
3L6-14185-01	B- 6	36R-16633-00	B-10	3PT-24110-00	C- 5
603-14186-00	B- 6	3L5-17112-01	B- 8	59V-24173-00	C- 5
3L5-14190-01	B- 6	3L5-17410-00	B-11	3R0-24181-00	C- 5
214-14197-00	B- 6	3L5-17442-00	B-11	4X4-24181-00	B-14
3L5-14198-00	B- 6	3L5-17471-00	B-11	3PT-24244-10	C- 5
620-14231-13	B- 6	3L5-17473-00	B-11	36E-24311-00	C- 5

NUMERICAL INDEX

PART NO.	GRID NO.	PART NO.	GRID NO.	PART NO.	GRID NO.
4X4-24500-00	C- 5	4X4-81313-M0	C-11	90201-067A0	C- 2
2FG-24610-00	C- 5	3K7-81980-00	C-13	90201-08087	B- 8
3PT-24710-00	C- 6	32N-82310-M0	C-13	90201-08326	C- 2
3PT-24731-00	C- 6	166-82370-20	C-13	90201-10742	C- 4
2E9-25116-00	C- 7	5R2-82370-20	C-13	90201-126A7	C- 2
2T4-25121-00-98	C- 7	4X4-82590-20	C-13	90201-154E8	C- 8
2E9-25133-00	C- 7	4X4-82920-00	C-12	90201-16383	B-10
	C- 8	2T4-83912-01	C-12	90208-10012	B-10
25K-25151-00	C- 7	2T4-83922-01	C-12	90209-10021	C- 4
2T4-25155-00	C- 7	437-83936-01	C-12	90240-08121	C-10
5M0-25180-00-36	C- 7	437-83936-11	C-12	90249-12008	C- 9
4N0-25181-00	C- 7	437-83936-11	C- 9	90280-03017	B- 3
2T4-25185-00	C- 7	4Y4-85520-M0	C-11	90282-05034	B-10
	C- 8	3L4-85540-M1	C-13	90336-15033	C- 7
4X4-25336-00	C- 8	4J2-85546-00	C-13	90338-07011	B- 8
3L5-25351-00	C- 8	3L6-85550-M0	C-11	90387-077F4	C- 5
3L5-25355-00	C- 8	4X4-85560-M1	C-11	90387-10620	C- 7
36E-2539F-00	C- 7	3L5-85580-M0	C-11	90387-125A5	C- 8
	C- 8	4X4-85590-M0	C-13	90387-16730	B-10
5M0-25390-00-36	C- 8	90101-05396	C- 8	90401-10029	B- 4
2E9-25412-00	C- 8	90101-08461	C- 2	90430-04167	B- 7
3PT-26111-00	C- 9	90105-06301	C-10	90430-05008	B- 7
36R-26124-00	C- 9	90105-08103	B- 8	90445-09074	C- 5
4X4-26241-00	C- 9	90105-08121	C- 2	90445-09252	C- 5
4X4-26242-00	C- 9	90105-08155	C- 2	90461-05036	C-11
4X4-26243-00	C- 9	90105-10006	C- 4	90467-08003	B-15
4X4-26257-00	C-12	90105-10130	B-12		C- 5
4U1-26261-00	C- 9	90109-08582	B- 8	90467-12052	C- 5
4X4-26311-00	C- 9	90116-06418	B- 2	90467-20023	B- 5
4X4-26312-00	C- 9	90119-06052	B-14	90467-22048	B- 7
4X4-26321-00	C- 9	90149-05119	C-12	90468-02033	B- 4
4X4-26331-01	C- 9	90149-05162	C-12	90468-12006	C-10
4X4-26341-00	C- 9	90149-35133	C- 3	90480-10408	B-15
4X4-26351-00	C- 9	90149-45134	B-11	90480-18290	C- 5
4X4-27111-00-33	C-10	90153-06057	B- 7	90501-08410	B-15
116-27114-00	C-10	90159-06013	B- 5	90501-10074	C- 9
3L5-27151-02	C-10		C- 5	90501-10513	C- 9
4X4-27413-00	C-10	90159-06058	B-14	90501-60556	C- 3
214-27421-00	C-10	90159-06060	B-13	90506-29052	C-10
50W-28100-00	B-14		B-14	90508-20023	C-10
4J2-46110-01	C- 3		C- 4	90508-28399	B- 9
3L5-46114-00	C- 3	90170-10105	B- 4	90560-10173	C- 7
59M-46121-00	C- 3	90170-10219	B-10	90560-15315	C- 3
3L5-46127-00	C- 3	90171-10004	C- 7	90560-25185	C- 3
4J2-46151-01	C- 3	90176-06038	C- 5	91316-06016	B-11
4J2-46154-02	C- 3	90179-06176	C- 9		C- 4
3L7-46171-00	C- 3	90185-12080	C- 8	91401-20020	C- 7
4X4-8131X-M0	C-11	90201-06407	C- 5	91401-25020	C-10

